

## THE ROMAN GLASS

Joyce Compton, Jennifer Price and Sally Worrell

A total of 713 glass fragments, including ninety-six sherds of window glass, was recovered from 323 contexts. The assemblage covers the entire Roman period, with the peak of glass use occurring in the 2nd to mid 3rd centuries. The collection is one of the largest recovered from excavations in Essex, outside Colchester. Several vessels are represented by more than one sherd, and there are two almost-complete vessels, both recovered from cremation burials. The high proportion of diagnostic pieces demonstrates that a reasonably wide range of vessels was in use at Heybridge. In addition to the window and vessel glass, there are sixty-one beads and eight other objects, comprising one finger-ring, three counters, two hairpins and two opaque blue 'tesserae'.

Much of the glass was retrieved by hand, but the extensive environmental sampling programme resulted in a large proportion of the fragments, c. 180 (22%), deriving from bulk soil samples. Nineteen are beads, but nearly all the remainder consists of tiny chips of thin-walled vessel glass which provide little information other than to confirm the proportions obtained by macroscopic collection.

Initial cataloguing of the glass assemblage was carried out by Sally Worrell (Appendix 1). The report was prepared by Joyce Compton, in collaboration with Sally Worrell and Dr Jennifer Price. Entries for the main items of vessel glass are presented in the catalogue sections below. Reports and catalogues for the glass beads and objects, and the window glass, have been incorporated into the Finds Function section for wider distribution and function considerations.

### The Vessel Glass

As might be expected, vessel glass dominates the assemblage, and a wide range of vessel types is represented, although numbers of individual types are small. Many of the forms commonly found on Roman sites are restricted here to just a few examples. Almost half of the total assemblage comprises vessels in natural blue-green glass. The vessel glass falls into three main groups; cast, mould-blown and blown, of which the blown vessels constitute the largest. This group has therefore been divided, as far as possible, into vessel types; cups/beakers, bowls, jugs, jars, flasks and bottles. Entries for each type are then ordered chronologically.

Few fragments from early cast vessels were recorded with just eight examples identified. Forty-eight fragments and chips of monochrome glass in several strong colours were also noted. Strongly-coloured glass is usually dated to the second half of the 1st century AD, although yellow-brown and yellow-green glass continued into the 2nd century. Vessels in four main colours occurred at Elms Farm; eighteen fragments are dark blue, thirteen are yellow-brown, six are yellow-green and nine are pale green. A range of vessels is

represented, including cups, beakers, bowls and jars. The majority of fragments, however, are likely to be from jugs, the presence of which is attested by ribbed fragments and ribbon handles. Although quantities are small, strongly-coloured glass is evenly distributed with half of the total occurring in Period III (early Roman) contexts.

Colourless glass for tableware began to replace that in strong colours during the later 1st century AD (Allen 1999, 117). Over one hundred fragments and chips were recovered in a variety of vessel forms, including cups and beakers, bowls and flasks. Of note is a near-complete cylindrical wheel-cut cup (Fig.00.14) retrieved from cremation burial 12219. A peak in colourless glass vessel use, or at least in its *disposal*, occurred during Period V (late 3rd/mid 4th century), and fragments are not evenly distributed. The largest amounts occur in the northern settlement zone and the eastern part of the southern zone.

More than two hundred fragments of natural blue-green glass in a wide variety of forms were found, the largest category comprising containers, namely jugs, flasks and bottles. A near-complete, but fragmentary, flask (Fig.00.87) was retrieved from cremation burial 12203. Blue-green glass fragments are fairly evenly distributed, although there is a slightly higher incidence in the central zone, and also in the eastern part of the southern zone. Few sherds came from the western part of the southern zone and very little glass of any sort came from the peripheral zone. Disposal of this vessel glass type occurs mainly during Period III, and quantities remain low but steady thereafter until the mid 4th century.

Glass vessels gradually changed in appearance during the second half of the 3rd century. The colour became more yellowy-green and the metal contained many impurities and bubbles. The forms which first appeared during the 3rd century and developed into 'cone beaker' types, can continue into the 5th century, although there is little evidence for these later vessels at Elms Farm. Deposition of late Roman vessel forms began during Period V and declined sharply towards the mid 4th century. Fragments are fairly evenly distributed with the largest amounts occurring in the eastern part of the southern settlement zone and, perhaps more significantly, in the vicinity of the temple in the central zone.

### **Cast Vessels**

Fragments from two early Imperial, cast glass vessels were recovered, two from one yellow-brown ribbed bowl, and the third from another (Fig.00.1-2). The fragments are in a very abraded condition, consistent with recovery from the topsoil during machine-stripping. These vessels were manufactured in the late 1st century BC or the early years of the 1st century AD, and thus may have arrived in Britain before the conquest. Pre-conquest occurrences of glass on settlement sites are very infrequent (Price 1996, 53), and few find spots are known. These include Braughing where five early vessels were recorded (Price and Cool 1988, 79) and *Camulodunum* where only three such

vessels were identified (Harden 1947, 288). None was recovered from the 1970 Sheepen excavations (Niblett 1985, 136). A ribbed bowl was found in the Welwyn-type burial at Hertford Heath (Hüssen 1983, 9; pl.4), although this example is thick-walled with short thick ribs. The vessel was considered to be a ribbed version of the thick-rimmed shallow bowls which have a wide distribution in the eastern Mediterranean region, and, as such, was likely to have been produced before c. 70BC (Price 1996, 52). An eastern Mediterranean origin for these early vessels has been proposed (Hüssen 1983, 9). Although the Elms Farm fragments are unstratified, there is no doubt that these are rare Augustan pieces and thus provide important evidence for the pre-conquest import of glass vessels to a British settlement site. Since the Elms Farm bowls are finer than the Hertford Heath example, an eastern Mediterranean origin is not certain. It is possible that they were imported from a source closer to Britain, such as Italy.

Other cast vessels are poorly represented. Six examples from pillar-moulded bowls are present, all in blue-green glass. There are also two small dark blue fragments from cast bowls or plates, one of which could be from a further pillar-moulded bowl. One blue-green base sherd (Fig.00.8) has interior wheel-cut lines, which normally indicates a vessel of good quality. The form is described in Price and Cottam (1998, 44-6). The pillar-moulded bowl was the most common type of tableware found at Colchester (Cool and Price 1995, 15) and is a frequent site find in mid 1st to early 2nd century AD contexts. Even small fragments of these vessels are distinctive and easily identifiable, so the small number recorded at Elms Farm is all the more remarkable. Large numbers were found both in the *colonia* and *Camulodunum* (Cool and Price 1995, table 1.2; Harden 1947, table p.288), and are common finds elsewhere in Essex, for instance, at Stansted, where a complete pillar-moulded bowl was found in a cremation burial (Price and Cottam 1998, 46, fig.7; pl.3.1). The range of Claudio-Neronian polychrome cast vessels found at Sheepen (Harden 1947, 289-92; Niblett 1985, 136; fig.80) and Colchester (Cool and Price 1995, 17-8; fig.2.2, 27-30; fig.2.9) is conspicuously absent at Elms Farm.

1. Rim and upper body fragments, ribbed bowl. Yellow-brown. Slightly out-turned rim, convex body tapering in. Parts of five vertical ribs in low relief. Broad shallow ridge and groove ground at shoulder above ribs. Broad wheel-cut line below rim on interior. Rim, shoulder and inside surface ground. All surfaces heavily scratched and worn. Rim dia. 110mm, thickness 2-4.5mm. 17000, Unstratified, Area A4
2. Rim and upper body fragment, ribbed bowl. Yellow-brown with green tinge. Slightly out-turned rim, convex body tapering in. Parts of five vertical ribs. Narrow groove ground at shoulder above ribs. Broad wheel-cut line below rim on interior. Rim, shoulder and inside surface ground. All surfaces heavily scratched and worn. Rim dia. c. 110mm, thickness 3-4.5mm. 17000, Unstratified, Area A4
3. Rim and upper body fragment, pillar-moulded bowl. Pale green. Vertical rim. Part of one prominent vertical rib. Ground on inside surface and lightly at rim, ribbed area shiny. Tooling marks below rim. Edge of rib worn. Rim dia. c. 170mm, thickness 3-11mm. Cleaning layer 5601, Area I
4. (Not illustrated) Rim, shoulder and upper body fragment, pillar-moulded bowl. Pale green. Vertical rim. Trace of one vertical rib. Ground on inside and lightly at rim,

shoulder and ribbed area shiny. Rim dia. c. 160mm, thickness 2.5-5mm. Layer 6418, Area H, Period III

5. Body fragment, pillar-moulded bowl. Blue-green. Slightly convex side. Bottom of shoulder, part of two vertical ribs with rounded tops. Ground on inside, ribbed area shiny. Edges of ribs very worn. Scratched internal surfaces. ?One edge grozed. Fill 11310, Pit 11304, Area N, Period IV
6. (Not illustrated) Body fragment, pillar-moulded bowl. Blue-green. Convex side. Part of one vertical rib. Ground on inside, ribbed area shiny. Rib heavily chipped. Cleaning layer 5601, Area I
7. (Not illustrated) Lower body fragment, pillar-moulded bowl. Blue-green. Convex side. Part of one vertical tapering rib. Abraded band on inside surface near base. Ground on inside, ribbed area shiny. Some small bubbles. Strain crack. Fill 13820, Gully 13821, Area I, Period IIIB
8. Base fragment, pillar-moulded bowl. Blue-green. Flat base, curving up slightly. One small wheel-cut circle at centre of base and two wheel-cut lines at edge of base. Strain-cracked. Fill 17258, Ditch 17412, Area Q, Period IIB

### **Mould-blown Vessels**

Decorated mould-blown vessels were made in considerable numbers during the second half of the 1st century AD. These include circus and gladiator cups, along with cups and beakers with various schemes of vegetal or ribbed designs. None of the more decorative vessel types was found at Elms Farm, however, but fragments from two mould-blown ribbed bowls in blue-green glass were recorded (Price and Cottam 1998, 60-1; fig.14; Cool and Price 1995, 51-3). These ribbed vessels are fairly common Claudian to early Flavian types in southern Britain (Price and Cottam 1998, 60). They are among the earliest mould-blown forms recognized and a date range of AD50-75 has been assigned. The illustrated example (Fig.00.9) was found in a mid to late 1st century AD pit, but the second is unstratified.

9. Rim, shoulder and upper body fragment, hemispherical ribbed bowl. Blue-green. Vertical rim, edge cracked off and lightly smoothed, slightly concave shoulder, change of angle to convex body. Parts of eleven close-set vertical ribs in low relief on body. Many small bubbles. Edges of ribs lightly worn. Rim dia. 110mm, thickness 0.6-1.7mm. Fill 24077, Pit 24075, Area M, Period III
10. (Not illustrated) Body fragment, hemispherical ribbed bowl. Blue-green. Convex side. Parts of three, and trace of fourth, close-set, evenly-spaced vertical ribs. Thick-walled. Small bubbles. 4000, Unstratified, Area A1

### **Blown Vessels**

This constitutes the largest group of vessels, of which those in blue-green glass form the largest component. In line with the lack of polychrome cast vessels, early polychrome blown glass forms are entirely absent. In contrast, pieces from twenty-four polychrome vessels were recorded at Colchester (Cool and Price 1995, 56), along with thirty-eight from previous excavations.

Most of the blown forms from Elms Farm are relatively plain and any decoration is restricted to wheel-cut lines and applied self-coloured trails.

### *Cups and beakers*

A range of cups and beakers was recorded. Nos 11 and 12 are from Hofheim cups (Price and Cottam 1998, 72-3) which have a date range of AD40-75. That only two were noted is worth mention, as over fifty were found in the recent excavations at Colchester (Cool and Price 1995, 64). Cylindrical colourless cups with wheel-cut or applied-trail decoration are slightly more numerous (Fig.00.13-19). Colourless glass tableware became more common during the 2nd century. Nos 13 and 14 have cracked-off rims (Price and Cottam 1998, 88-9; 94-5). No.14 is near-complete, recovered from cremation burial 12219, dated AD125-45 by an almost-complete samian dish, confirming the date given in Price and Cottam (1998, 95). Nos 15-19 are cups which have fire-rounded rims (Price and Cottam 1998, 99-101) and Nos 20-23 are similar cylindrical cups in blue-green glass. No.20 has trailed decoration and may be from a 2nd-century cup, or beaker, such as that in Price and Cottam (1998, 103-4) although the Elms Farm example is indented. This is uncommon, and the vessel may be a later type. Cylindrical cups are the dominant drinking vessel class during the late 2nd and early 3rd centuries (Cool and Price 1995, 83) and a large number was recovered at Colchester. A minimum of four cups in blue-green glass were recorded at Elms Farm, which is a low figure when compared to the sizeable proportions recovered from elsewhere (see Cool and Price 1995, 83).

Late Roman cups and beakers are represented by Fig.00.24-28. These are made in the typical low quality, bubbly and streaky glass which was in common use from the end of the 3rd century. The type of convex bowl represented by Fig.00.28 is widely found on 4th-century settlements (Price 2000, 6; fig.3.1-2) and the Elms Farm vessel was found, appropriately, in a mid to late 4th century layer. A minimum of two conical beakers was recorded (Price and Cottam 1998, 121-3) and several convex bowls (Price and Cottam, 1998, 126-7). Late Roman vessels are fairly well represented in comparison with earlier vessel types, although forms with fire-rounded rims (Price and Cottam 1998, 129-31), dated to the later 4th/5th century, are absent.

11. (Not illustrated) Rim and upper body fragment, convex cup. Dark blue. Vertical rim, edge cracked off and ground, slightly convex side. Narrow abraded band below rim. Strain cracks. Rim dia. c. 65mm, thickness 1.8-2.5mm. Fill 4164, Pit 4163, Area K, Period III
12. Body fragment, convex cup. Blue-green. Convex side. ?Three broad bands of horizontal abrasion. Heavily scratched. Many small bubbles. Spread 5148, Area J, Period VI
13. Upper body fragment, ?cup/flask. Colourless. Convex side, constriction above body, ?trace of rim or neck. Two broad, close-set horizontal wheel-cut lines. Strain cracks. Light iridescence. Fill 14093, Pit 14099, Area K, Period IV-V
14. Almost complete, cylindrical wheel-cut cup. Colourless. Small area missing from rim. Slightly out-turned rim, edge cracked off and ground smooth. Cylindrical body, tapering in slightly to small flat base which thickens towards the centre with a small central concavity. Faint horizontal abraded lines below rim, on upper body and above

Elms Farm: Roman Glass  
Final Report

base, and two close-set, broad, wheel-cut lines around the centre of body. Edge of base lightly worn and scratched. Small to large bubbles. Strain cracks. Rim dia. 80mm, base dia. 35mm, height 61.5mm, thickness 1mm. Fill 12214, Cremation Burial 12219, Area R, Period III

15. Rim and body fragment, cylindrical cup. Colourless with greenish tinge. Slightly in-turned rim, edge fire-rounded. Straight side. Small bubbles. Light iridescence. Rim dia. 92mm, thickness 1.5-3mm. Fill 8990, Well 8989, Area P, Period IV
16. Three base fragments, cylindrical cup. Colourless. Flat base with tubular base ring and thick trailed ring in centre. Light wear on base edge. Internal surface heavily scratched. Base dia. 55mm, thickness 1.5-8mm. Fill 9628, Ditch 25031, Area D, Period V
17. Nine body fragments, five joining in two groups, cylindrical cup. Colourless. Vertical rim, edge fire-rounded. Straight side. Light wear on interior of rim. Some very small bubbles. Rim dia. 156mm, thickness 0.8-3mm. 7000, Unstratified, Area G
18. (Not illustrated) Two joining rim and upper body fragments, cylindrical cup. Colourless. Slightly in-turned rim, edge fire-rounded. Straight side. Light wear on interior of rim. Rim dia. 150mm, thickness 1.5-2.5mm. 7000, Unstratified, Area G
19. Two lower body and base fragments, ?beaker/flask. Colourless. Convex lower body, slightly concave base. Curving colourless applied trail above edge of base. Base edge heavily worn. Many small bubbles. Base dia. c. 35mm, thickness 1.5-3.5mm. Layer 7596, Area G, Period IV
20. Body fragment, ?beaker. Blue-green. Straight side. Part of one indent and six irregularly-spaced, narrow, horizontal or spiral trails. Strain cracks. Small bubbles. Cleaning layer 8000, Area E
21. Rim and upper body fragment, cylindrical cup. Blue-green. In-turned rim, edge fire-rounded. Slightly convex upper body. Green streaky impurity in rim. Many small bubbles. Rim dia. 80mm, thickness 0.8-1.8mm. Cleaning layer 6000, Area H
22. Rim and upper body fragment, cylindrical cup/small bowl. Blue-green. Funnel mouth, out-turned rim, edge fire-rounded. Dark yellow-green streaky impurity in rim. Rim dia. 112mm, thickness 1mm. Fill 10061, Pit 10062, Area E, Period IV
23. Three rim, body and base fragments, two joining, small cylindrical cup/bowl. Blue-green. Slightly out-turned rim, edge fire-rounded. Straight upper body, curved change of angle, horizontal lower body. Trace of base ring. Small bubbles. Rim dia. 95mm, thickness 0.5-1.5mm. Fills 9324 and 9336, Ditch 9325, Area D, Period IIIC
24. Two fragments; rim and upper body fragment and lower body and base fragment, conical beaker. Pale yellow-green. Slightly out-turned rim, edge cracked off. Straight side tapering in to small concave base. Uneven band of horizontal abrasion below rim and two uneven bands on upper body. Many small bubbles. Rim dia. 80mm, thickness 0.5-1mm, base dia. 27mm, thickness 0.6-2mm. Layer 6008, Area H, Period V-VI
25. (Not illustrated) Small rim fragment, beaker/bowl. Greenish-colourless. Slightly out-turned rim, edge cracked off. Narrow band of horizontal abrasion below rim. Fill 7100, Ditch 25040, Area G, Period V
26. Lower body and base fragment, conical beaker. Pale yellow-green. Straight-sided lower body tapering in to small concave base. Base edge worn. Bubbly. Base dia. 24mm, wall thickness 1mm. Layer 5453, Area J, Period VI

27. (Not illustrated) Body fragment, ?cup/flask. Greenish-colourless. Convex side. Three narrow bands of faint horizontal abrasion. Very bubbly. Light iridescence. Strain cracks. Fill 4189, Oven 4005, Area K, Period IV
28. Two joining rim and upper body fragments, convex bowl. Pale green. Out-turned rim, edge cracked off. Convex side, tapering in. Faint band of horizontal abrasion on upper body. Bubbly. Strain cracks. Rim dia. c. 120mm, thickness 2-2.5mm. Layer 6025, Area H, Period V

### *Bowls*

Deep tubular-rimmed bowls (Price and Cottam 1998, 78-80) are well represented, with at least ten vessels identified (Fig.00.31-7). Three are in strongly-coloured monochrome glass, but most are blue-green. The type can have vertical or diagonal ribbing on the body, but the Elms Farm examples are all plain. This is a particularly common and widespread form with at least sixty vessels being recorded at Colchester (Cool and Price 1995, 94). Their usage extends from the mid 1st into the later 2nd centuries AD, but, as the Elms Farm examples are nearly all unstratified, no confirmation of the date is forthcoming. Bowls with out-turned rims, Fig.00.38-9 (Price and Cottam 1998, 106-7), are from vessels which are uncommon. Only six were identified at Colchester (Cool and Price 1995, 99). It is becoming clear that these bowls were in use during the 3rd century and the context evidence at Elms Farm tentatively bears this out. The base fragments (Fig.00.40-1) are probably from this type of bowl, and are included here for convenience. Late Roman forms are represented by Fig.00.45 and No.46, not illustrated, (Price and Cottam 1998, 124-5). These shallow hemispherical bowls with cracked-off rims are discussed in Price (2000, 12-14), and a bowl of similar form to the Elms Farm examples is illustrated (2000, fig.5.3).

29. (Not illustrated) Body fragment, ?bowl. Dark blue. Slightly concave, vertical side, sloping in to carination. Surfaces lightly scratched. Cleaning layer 16051, Area H
30. (Not illustrated) Lower body fragment, ?bowl. Yellow-brown. Convex side, strong change of angle. Lightly scratched surfaces. Cleaning layer 9290, Area D
31. Three joining rim and upper body fragments, deep tubular-rimmed bowl. Blue-green. Slightly out-bent rim, edge bent out and down. Straight side. Rim dia. 185mm, wall thickness 1.5-2mm. Layer 9723, Area D, unphased
32. Rim and upper body fragment, tubular-rimmed bowl. Pale blue-green. Slightly in-turned rim, edge rolled in, then bent out and down. Straight side. Many small bubbles. Rim dia. 120mm, wall thickness 0.5mm. Fill 4030, Pit 4083, Area K, Period IV
33. (Not illustrated) Rim and upper body fragment, tubular-rimmed bowl. Blue-green. Vertical rim, edge thickened, then bent out and down. Convex side. Rim dia. 140mm, thickness 1mm. Cleaning layer 15044, Area M
34. Rim and upper body fragment, tubular-rimmed bowl. Blue-green. Vertical rim, edge rolled in, then bent out and down. Straight side expanding out slightly. Rim dia. 160mm, wall thickness 0.6-0.8mm. Fill 8094, Well 8188, Area E, Period III
35. Rim and upper body fragment, tubular-rimmed bowl. Blue-green. Rim rolled in, then bent out and down. Rim dia. 110mm, wall thickness 0.7mm. Layer 6316, Area H, Period IV

36. (Not illustrated) Rim and upper body fragment, tubular-rimmed bowl. Blue-green. Vertical rim, edge bent out and down. Straight side. Cleaning layer 20000, Area L
37. Rim and upper body fragment, tubular-rimmed bowl or jar. Blue-green. Vertical rim, thickened edge bent out then down. Straight-sided upper body tapering in. Layer 13348, Area I, Period V
38. Rim and upper body fragment, bowl. Blue-green. Out-turned rim, edge fire-rounded. Straight upper body tapering in. Rim dia. 140mm, thickness 1-1.5mm. Fill 9210, Ditch 9251, Area D, Period IIIC
39. Rim and upper body fragment, plate/shallow bowl. Blue-green. Horizontal rim, edge fire-rounded, change of angle above body. Small bubbles. Rim dia. c. 100mm, thickness 1mm. Layer 10310, Area F, unphased
40. Lower body and complete base fragment, bowl. Blue-green. Wide horizontal lower body, tubular pushed-in base ring, concave base. Large central pontil scar. Slight wear on base edge. Base dia. 39mm, wall thickness 0.8mm. Layer 6227, Area H, Period V
41. Lower body and base fragment, bowl. Blue-green. Flat base, vertical pushed-in base ring. Base edge worn. Some large bubbles. Base dia. 48mm, thickness 1-2.5mm. Layer 6025, Area H, Period V
42. (Not illustrated) Lower body and base fragment, ?bowl. Blue-green. High vertical tubular base ring. Heavily distorted by heat. 12000, Unstratified, Area R
43. Rim fragment, bowl. Greenish-colourless. Out-turned horizontal rim, edge fire-rounded. Many small bubbles. Black specks. Strain cracks. Rim dia. 140mm, thickness 2mm. Fill 15056, Ditch 25079, Area M, Period V
44. (Not illustrated) Two joining body fragments, ?convex bowl. Colourless. Convex side. Narrow band of horizontal abrasion. Many small bubbles. Light iridescence. Layer 24243, Area M, Period III
45. Rim and upper body fragment, convex bowl. Pale green. Curved rim, edge cracked off. Shallow, slightly convex body, tapering in. Several faint, horizontal, wheel-cut lines. Very bubbly. Rim dia. c. 110mm, thickness 1mm. 11000, Unstratified, Area A2
46. (Not illustrated) Lower body fragment, cup/bowl. Greenish-colourless. Straight side, rounded change of angle. Broad band of faint horizontal abrasion above change of angle. Very bubbly. Thickness 1mm. Fill 5210, Pit 5209, Area J, Period VI

### *Jugs*

A large number of jug fragments were recovered, most come from either conical or globular jugs. These types are described in Price and Cottam (1998, 150-2; 152-4; 155-7) and were almost certainly made in the north-west provinces. The main period of use covers the last third of the 1st century AD into the second half of the 2nd century. At least thirty vessels are in early strongly-coloured glass, dark blue, yellow-brown and pale green; there is a significant amount of yellow-brown glass. Globular ribbed jugs in blue-green glass are 2nd-century pairings with tubular-rimmed bowls, such as Nos 31-37, thus forming a set. Jugs are relatively common at Elms Farm and form the largest vessel group, after bottles, with at least forty vessels identified. Jugs were also common at Colchester (Cool and Price 1995, 123) and were a popular vessel type throughout Roman Britain.



Spouted jugs (Price and Cottam 1998, 157-61) are poorly represented by comparison, as they are at Colchester (Cool and Price 1995, 131-4). At least four vessels were identified at Elms Farm (Fig.00.68-71). Fig.00.76 is a curiously folded piece, tentatively identified as a jug handle, although the fold appears to be on the internal surface. Unfortunately, insufficient remains of the sherd for certain identification. Late Roman vessels are represented by Fig.00.78 (Cool and Price 1995, fig.8.11.1161). These jugs are discussed in Price (2000, 16).

47. Handle fragment, jug. Dark blue. Straight ribbon handle, one side missing. One very prominent central rib. Black impurities. Handle section 10x2mm. 13801, Unstratified, Area J
48. Two fragments, handle and body, conical jug. Dark yellow-brown. Ribbon handle with pronounced central rib forming central prong. Straight side, part of shallow vertical rib. Layer 13468, Area I, Period IIIB
49. (Not illustrated) Two body fragments, conical jug. Yellow-brown. Straight side. At least one vertical rib. Surfaces lightly scratched. Some small bubbles. Fill 6203, Pit 6201, Area H, Period III
50. (Not illustrated) Base fragment, ?jar/jug. Dark yellow-brown. Edge of open base ring, concave base. Fill 4189, Oven 4005, Area K, Period IV
51. (Not illustrated) Body fragment, ?conical jug. Pale green. Straight side, parts of three vertical ribs. Small elongated bubbles. Fill 14558, Pit 14529, Area L, Period VI
52. Lower body and base fragment, convex jar or jug. Pale green. Wide convex side curving in to slight constriction above open pushed-in base ring and concave base. Base edge worn. Many small bubbles. Base dia. 65mm, thickness 2.5-4mm. 4000, Unstratified, Area A1
53. Body fragment, convex jar/jug. Pale green. Convex side. One vertical rib. Many bubbles in streaks. Fill 9488, Ditch 25017, Area D, Period IIB
54. Lower body and base fragment, jug. Pale green. Thin-walled convex lower body, tubular pushed-in base ring with concave base. Central pontil scar. Base edge lightly worn. Base dia. 50mm, thickness 0.2-3.5mm. 7000, Unstratified, Area G
55. Handle fragment, jug. Pale green. Angular ribbon handle, central indent with rounded change of angle. Elongated bubbles. Red-brown inclusions. Cleaning layer 24058, Area M
56. (Not illustrated) Handle fragment, jug. Pale green. Plain rod handle with D-shaped section. Green streaky impurities. Heavily worn. Prepared Surface 5786, Area I, Period IIB
57. Two joining lower body and base fragments, jar/jug. Blue-green. Wide convex side curving in to slight constriction above open pushed-in base ring. Base edge lightly worn. Small to medium bubbles. Base dia. 60mm, thickness 2-3mm. Cleaning layer 5598, Area I
58. Rim, neck and handle fragment, jug. Pale blue-green. Out-turned rim, edge rolled in and flattened irregularly. Cylindrical neck. Handle applied below rim, pulled up and out. Return trail on rim edge. Yellow-green streak in rim. Many elongated bubbles. Rim dia. 31mm, int. neck dia. 13.5mm, thickness 2-3.5mm. Layer 10255, Area F, Period V

59. Rim and neck fragment, jug/flask. Pale blue-green. Horizontal rim, bent out, up and in irregularly and then flattened. Cylindrical neck. Bubbly. Rim dia. 30mm, thickness 2.5mm. Fill 10891, Pit 10910, Area N, Period V
60. (Not illustrated) Rim and neck fragment, jug. Blue-green. Horizontal rim, edge bent out, up, in and flattened. Cylindrical neck. Trace of handle on rim edge. Upper surface scratched. Rim dia. 32mm, int. neck dia. 16mm, thickness 1.3mm. Cleaning layer 10249, Area F
61. Four neck, handle and upper body fragments, two joining, convex jug. Blue-green. Cylindrical neck, expanding out to horizontal rim, edge missing. Angular handle with three ribs, pulled onto convex body. Elongated bubbles in neck and handle. Int. neck dia. c. 13mm, thickness 1.5mm. Layer 16236, Area H, Period V
62. Nine handle and body fragments, convex jug. Pale blue-green. Ribbon handle with three ribs, simple lower attachment. Convex side. Elongated bubbles. Fill 10182, Ditch 25245, Area F, Period III
63. (Not illustrated) Body fragment, conical jug. Blue-green. Straight side. Two narrow, slightly curving ribs and trace of a third. Strain cracks. Fill 13494, Hearth Construction 18638, Area I, Period IIIB
64. (Not illustrated) Shoulder fragment, jug. Blue-green. Curving shoulder, trace of neck. Four shallow curving ribs. Tooling marks on ribs. Strain cracks. Layer 13351, Area I, Period IIIB
65. (Not illustrated) Handle and shoulder fragment, jug. Blue-green. Simple lower attachment of ribbon handle. Convex body. Elongated bubbles and black and yellow-brown streaks and specks in handle. Cleaning layer 6000, Area H
66. (Not illustrated) Handle and body fragment, jug. Blue-green. Thick ribbon handle with simple lower attachment. Straight side. Fill 14805, Pit 14806, Area L, Period III
67. (Not illustrated) Handle fragment, jug/bottle. Blue-green. Upper section of plain angular ribbon handle. Black streaks and impurities. 7000, Unstratified, Area G
68. Rim and upper body fragment, spouted jug. Blue-green. Funnel mouth, rim edge rolled in and flattened. One end pulled up to form spout (missing). Light iridescence. Fill 4925, Pit 4943, Area K, Period IV
69. Rim fragment, spouted jug. Pale green. Funnel mouth, rim edge fire-rounded. Part of rim pulled up to form spout. Fill 8094, Well 8188, Area E, Period III
70. (Not illustrated) Rim and upper body fragment, ?spouted jug. Blue-green. Funnel mouth, rim edge fire-rounded. Streak of small horizontal bubbles below rim. Strain cracks. Cleaning layer 8261, Area E
71. Handle and shoulder fragment, jug. Blue-green. Ribbon handle, simple lower attachment. Convex shoulder. Irregular ridge on underside of handle. Fill 15043, Pit 15042, Area M, Period VI
72. Handle and body fragment, jug. Blue-green. Oval-sectioned rod with simple lower attachment showing horizontal tooled impression. Two irregular ridges on underside of handle. Elongated bubbles in handle. Cleaning layer 6000, Area H
73. Handle fragment, jug. Pale blue-green. Upper section of oval-sectioned rod handle, small folded thumb-rest with tooled impression. Elongated bubbles. Fill 8187, Pit 8165, Area E, Period III

74. Lower body and base fragment, jug. Blue-green. Convex lower body tapering in. High, slightly diagonal, base ring. Base edge worn. Tooling marks on base ring. Many small bubbles. Base dia. 80mm, thickness 0.7-1.3mm. Fill 22024, Post-hole 22025, Area J, Period V-VI
75. Handle fragment, ?jug. Blue-green. Angular ribbon handle. Rib at edge formed by folding over edge. Trace of second rib. Yellow-green streaks. Heavily worn. Handle section, excluding rib, 14x3mm. 7000, Unstratified, Area G
76. Handle fragment, ?jug. Blue-green. ?Straight, angular ribbon handle. Two vertical folded ribs. Handle section, excluding ribs, 26x2.5mm. Cleaning layer 5602, Area I
77. (Not illustrated) Body fragment, jug/jar. Blue-green. Convex side. Two unmarvered narrow horizontal trails. Very bubbly. Fill 9042, Pit 9007, Area D, Period IIIC
78. Body fragment, jug. Pale greenish-colourless. Convex side. Two horizontal unmarvered trails. Thin-walled. Very bubbly. Black specks and impurities. Fill 8141, Pit 8142, Area E, Period V

### *Jars*

Few jars were recorded, and were recognized mainly by the form of the rim. Body and base sherds are identical to those from convex jugs and are usually identified as such. Nos 79-82 represent collared convex jars (Price and Cottam 1998, 137-8), a form which is very common, and Nos 83-85 are from convex jars with a horizontal rim (Price and Cottam 1998, 140-1). Convex jars were in use mainly during the 1st and 2nd centuries AD (Cool and Price 1995, 107; 109). Most of the examples from Elms Farm are unstratified, but the dating of the remainder does not conflict with the evidence from Colchester. No.86 is from a jar with an out-turned rim (as Price and Cottam 1998, 143-5; fig.62b; Price 1987, fig.3.25). The vessel, from Felmongers, Harlow, is dated AD160-70. The Elms Farm example is from a context dated mid 2nd to early 3rd century.

79. Rim and upper body fragment, jar. Yellow-green. Vertical rim, edge fire-rounded, then bent out and down. Upper body expanding out. Edge of rim lightly worn. Rim dia. 90mm, thickness 1.5mm. Fill 15543, Pit 15993, Area M, Period III
80. Rim and upper body fragment, jar. Pale green. Out-turned tubular rim, edge first fire-rounded, then bent out, down and in. Body expanding out. Many small bubbles. Black specks. Rim dia c. 110mm, thickness 1mm. Cleaning layer 6000, Area H
81. Rim fragment, jar. Blue-green. Slightly out-turned rim, edge rolled in, then bent out and down. Many small bubbles. Rim dia. 85mm, thickness 1.5mm. Fill 9008, Pit 9007, Area D, Period IIIC
82. Rim and upper body fragment, jar. Blue-green. Vertical rim, edge rolled in, then rolled out and down. Rim dia. c. 85mm, thickness 1mm. 7000, Unstratified, Area G
83. Rim fragment, jar. Blue-green. Horizontal out-bent tubular rim, edge fire-rounded, then bent out, down and in. Lightly scratched. Rim dia. 112mm, thickness 0.8mm. Cleaning layer 8000, Area E
84. Rim fragment, jar. Blue-green. Horizontal out-bent rim, edge rolled up and in and flattened. Rim dia. 70mm, thickness 1.5mm. Cleaning layer 5723, Area J
85. Rim fragment, jar. Blue-green. Out-turned rim, edge rolled up and in, funnel mouth. Rim dia. 50mm, thickness 1mm. Fill 12080, Unknown Cut 12371, Area R, Period IV

86. Rim and neck fragment, jar. Blue-green. Vertical rim, edge fire-rounded and bent in, forming small 'step'. Funnel mouth, neck sloping in. Rim dia. 72mm, thickness 1mm. Fill 23025, Pit 23024, Area N, Period III

### *Flasks and bottles*

A small number of flasks are present, representing a range of forms. A complete blue-green flask (Fig.00.87) was recovered from cremation burial 12203, dated AD120-150 by the presence of samian vessels. The form is similar to flasks found at Colchester (Cool and Price 1995, fig.9.3.1172), and is comparable to Isings (1957) Form 28a. Conical flasks with funnel mouths are rare in burials; ovoid flasks, as represented by Fig.00.90 (Price and Cottam 1998, 171-2), are more common. Two examples of this type were retrieved from Cremation Group 4 at Sheepen (Niblett 1985, fig.17), of Neronian date. The Elms Farm ovoid flask is from a late 1st century context. Base fragments Nos 90-93 can be paralleled with a 3rd-century base from Colchester (Cool and Price 1995, fig.10.2.1575). The dating evidence from Elms Farm indicates an earlier date, perhaps first half of the 2nd century AD.

A body sherd (Fig.00.94) is an intriguing piece. This is probably from a flask, but there appears to be a horizontal rib on the interior surface. The vessel form is indeterminate, but the dating evidence suggests a late vessel (late 3rd/early 4th century). Further late Roman forms are represented by Fig.00.95-6 (Price and Cottam 1998, 181-4), although the indented form of the flask (Fig.00.96) is uncommon. Fragments from a so-called Mercury flask were recorded (No.97, not illustrated; Price and Cottam 1998, 179-81). These flasks are so named because they frequently carry moulded motifs underneath the base; sometimes these are representations of the deity. The Elms Farm example does not appear to have any moulding, but the piece comes from a mid 2nd century context, confirming the dating of the type. Finally, bath flasks have been identified only by their bases (Fig.00.103-5). These small globular-bodied vessels usually have a pair of opposing 'dolphin'-shaped handles (Price and Cottam 1998, 188-9). Many were found at Colchester (Cool and Price 1995, 156-9) and a base similar to those found at Elms Farm is illustrated (1995, fig.9.9.1209).

87. Forty joining fragments, almost complete conical-bodied flask. Blue-green. Horizontal out-turned rim, edge partially rounded and rolled in. Funnel mouth. Long cylindrical neck. Straight side, tapering in to simple concave base. Very thin-walled. Many small bubbles, elongated in neck. Rim dia. 36mm, neck dia. 12mm, base dia. 52mm, wall thickness 0.2-1.5mm. Fill 12204, Cremation Burial 12203, Area R, Period III
88. Rim and neck fragment, flask. Blue-green. Rim out-bent almost horizontally, edge rounded and rolled in irregularly. Trace of cylindrical neck. Small bubbles. Black specks and inclusions. Rim dia. c. 50mm, thickness 1mm. Layer 6418, Area H, Period III
89. (Not illustrated) Shoulder and upper body fragment, ?flask. Blue-green. Convex body and curving shoulder with trace of neck. Two narrow bands of horizontal abrasion on upper body. Small bubbles. Collapse 7470, Area G, Period V

90. Lower body and base fragment, flask. Blue-green. Convex lower body, flat base. Many small bubbles. Base dia. c. 50mm, thickness 2-7.5mm. Fill 16213, Pit 16214, Area H, Period V
91. (Not illustrated) Lower body and base fragment, ?flask. Blue-green. Convex body tapering in to flat base. Scratched surfaces. Bubbly. Base dia. c. 75mm, thickness 2.5mm. Cleaning layer 5610, Area I
92. Lower body and base fragment, ?flask. Blue-green. Convex side curving in to convex base. Many small to medium bubbles. Heavily scratched. Fill 10283, Hearth Construction 10798, Area F, Period III
93. (Not illustrated) Lower body fragment, ?flask. Blue-green. Convex side. Streak of small bubbles. Black inclusions. Heavily scratched. Layer 6340, Area H, Period IV
94. Body fragment. Blue-green. Straight side. Two bands of horizontal abrasion and two further bands of horizontal abrasion running diagonally across. One horizontal rib on interior surface. Light iridescence. Lightly scratched. Fill 4994, Pit 4989, Area K, unphased
95. Two joining body fragments, flask. Greenish-colourless. Convex side. Five close-set broad bands of horizontal abrasion. Very bubbly. Lightly scratched. Layer 10315, Area F, unphased
96. Eleven neck, shoulder and body fragments, ?indented convex flask. Colourless with green tinge. Wide cylindrical neck, expanding out to missing rim. Curving shoulder, convex side, part of one deep oval indent. Seven close-set, narrow, horizontal abraded bands on body, and narrow abraded band on neck and shoulder. Many strain cracks on neck. Small bubbles. Iridescent surfaces. Neck dia. 40mm, thickness 1-1.5mm. Fill 10877, Pit 10910, Area N, Period V
97. (Not illustrated) Eleven body and base fragments, ?Mercury flask. Greenish-colourless. Part of one straight side, flat base. Thickness 5.5-7mm. Fill 9027, Pit 9014, Area D, Period IIIC

### Snake-thread glass

A single fragment was identified; a colourless convex body sherd with an opaque blue trail. This type of decoration is known as 'snake-thread', where randomly-applied patterns in relief are then grooved to produce a ridged appearance (Cool and Price 1995, 61). Snake-thread glass is not very common, usually found as single fragments on late 2nd and 3rd century sites (Cool and Price 1995, 62). This type of glass was manufactured in the north-west provinces, probably Cologne, and no complete vessels are known from Britain. Unfortunately, the Elms Farm example is unstratified.

98. Body fragment. Colourless with semi-opaque, mid-blue trails. Convex side. One curving 'snake-thread' trail with faint horizontal scored lines. Thickness 0.5-1.5mm. Cleaning layer 20000, Area L

### Bases

Base fragments which are of uncertain form are described here;

99. (Not illustrated) Base fragment. Blue-green. Diagonal tubular, pushed-in base ring, concave base with kick in centre (missing). Trace of lower body. Junction of lower

body and base grozed. Small pontil scar. Scratched surfaces. Base dia. 50mm, thickness 1.5mm. Layer 5494, Area I, Period IIIB

100. Base fragment. Blue-green. Slightly diagonal tubular base ring with concave base. Junction of lower body and base grozed. Base dia. 42mm, wall thickness 1mm. Cleaning layer 4881, Area K
101. Lower body and base fragment. Blue-green. Straight-sided lower body tapering in to tubular, pushed-in base ring with concave base and central kick. Strain cracks. Base dia. 55mm, wall thickness 1mm. Layer 13419, Area I, Period IV
102. (Not illustrated) Lower body and base fragment. Blue-green. Wide convex lower body curving in to open, tubular, pushed-in base ring. Base edge lightly worn. Base dia. 60mm, thickness 2mm. Layer 10385, Area F, unphased
103. Lower body and base. Pale green. Convex side, flat thickened base, slight concavity in centre. Base edge heavily worn. Many small bubbles. Surfaces scratched. Layer 11368, Area N, Period III
104. Lower body and base fragment. Pale blue-green. Convex lower body tapering in to flat thickened base with slight concavity in centre. Surfaces scratched. Base dia. c. 35mm, thickness 1.5-2mm. Fill 10361, Ditch 25027, Area F, Period V
105. Lower body and base fragment. Blue-green. Convex lower body curving in to small, flat, thickened base. Circular pontil scar. Thin-walled. Very bubbly. Base dia. 11mm, wall thickness 0.2-0.8mm. Fill 8991, Well 8989, Area P, Period IV
106. (Not illustrated) Base fragment. Blue-green. Concave base with small central kick. Pontil scar. Surfaces lightly scratched. Light iridescence. Base dia. c. 50mm, thickness 3mm. Fill 14052, Pit 14098, Area K, Period IV-V

### *Bottles*

One hundred and sixty-five bottle fragments were found, representing about a third of the vessel total; seventy-nine are from prismatic bottles. These are containers used for bulk storage and transport, and are thus normally relatively thick-walled vessels with heavy bases. The outer surfaces are frequently badly scratched and worn, and vessels may have remained in use for a considerable time. Bottles can have either one or two handles. These are usually broad and angular, with ribbing or reeding. Many bases have moulded designs, which are sometimes attributable to the manufacturer, although much work on this aspect remains to be done. The main period of usage for bottles is thought to be during the 1st and 2nd centuries AD, although this is difficult to ascertain with accuracy (Cool and Price 1995, 184). Bottles are individually long-lived and break into large, thick fragments, which are prone to deposition, and redeposition, far removed from the initial point of use. Unfortunately, 40% of the bottle glass from Elms Farm was recovered from unphased contexts, and little can be deduced. Fragments of bottle glass were concentrated in the northern part of the central settlement zone. No bottle glass was found in the peripheral zone.

Two cylindrical bottles with a corrugated body (Frontinus bottles) were identified (Fig.00.107 and No.108, not illustrated; Price and Cottam 1998, 209-11). These are relatively common, although the Elms Farm examples are almost miniature in size and, therefore, perhaps not so common. Two further fragments from a cylindrical bottle are from a two-handled version (Price and

Cottam 1998, 204-7), and colourless cylindrical bottles are represented by Nos 110-1 (Price and Cottam 1998, 202-4). The remaining bottles are all in blue-green glass and from square or prismatic bottles, except for Fig.00.112, the handle from a rectangular bottle (Price and Cottam 1998, 200-2). There is also a single body fragment from a hexagonal bottle (not illustrated; Price and Cottam 1998, 198-200).

The square bottles all appear to be from small-bodied containers, many of which bear moulded designs on the underside of the base. The variation in base mouldings is diverse for such a small group of bottles. A range of designs is illustrated in Cool and Price (1995, figs 11.8-11.12). The most common design consists of concentric circles, sometimes with a central motif. The small size of the bottles indicates that only small quantities of the product they once contained were being transported into Heybridge.

107. Two body fragments, cylindrical bottle. Blue-green. Straight side. Parts of six close-set, irregular, horizontal mould-blown ribs. Very bubbly. Fill 12026, Ditch 12027, Area R, Period IV-V
108. (Not illustrated) Body fragment, cylindrical bottle. Greenish-colourless. Straight side. Parts of two mould-blown horizontal ribs. Layer 23047, Area N, Period III
109. Two body fragments, cylindrical bottle. Blue-green. Straight side. One broad band and two close-set, narrow bands of horizontal abrasion. Some very large bubbles. Light iridescence. Fill 4142, Pit 4141, Area K, unphased
110. Two joining ?body and base fragments, cylindrical bottle. Greenish-colourless. Straight side, curving base edge. Many strain cracks. Worn on base edge. Cleaning layer 5607, Area I
111. (Not illustrated) ?Shoulder and upper body fragment, cylindrical bottle. Greenish-colourless. Curving shoulder, straight side. Surfaces lightly scratched. Fill 9373, Ditch 9405, Area D, Period IIIC
112. Handle and shoulder fragment, rectangular bottle. Angular ribbon handle with three regular ribs pulled down onto shoulder, with rounded ends. Curving shoulder. Strain cracks. Many bubbles, elongated in handle. Fill 9895, Well 9421, Area D, Period IIIB
113. Rim and neck fragment, bottle. Slightly diagonal rim, edge bent out, up, in and flattened. Cylindrical neck. Surfaces scratched. Rim dia. 50mm, int. neck dia. c. 18mm, thickness 4-5.5mm. Cleaning layer 6000, Area H
114. (Not illustrated) Rim and neck fragment, bottle. Horizontal rim, edge bent out, up, in and flattened. Cylindrical neck. Rim edge lightly worn. Strain cracks. Rim dia. 52mm, thickness 5mm. 11000, Unstratified, Area A2
115. (Not illustrated) Rim and neck fragment, bottle. Diagonal rim, edge missing. Cylindrical neck. Elongated bubbles in neck. Horizontal scratches on neck. Int. neck dia. c. 25mm, thickness 4-5mm. Fill 5162, Pit 5180, Area J, Period VI
116. Handle and shoulder fragment, bottle. Angular ribbon handle, at least twelve ribs pulled down onto shoulder into prominent points. Curving shoulder. 7000, Unstratified, Area G

Elms Farm: Roman Glass  
Final Report

117. Handle and shoulder fragment, bottle. Plain angular ribbon handle with simple lower attachment. Curving shoulder. Tooling mark on underside. Many elongated bubbles in handle. Surfaces worn. Red inclusions. Fill 10039, Pit 10038, Area E, Period IV
118. (Not illustrated) Handle fragment, bottle. Upper section of angular ribbon handle with folded attachment and return trail. Tooling marks on underside. Elongated bubbles. 9000, Unstratified, Area D
119. Handle fragment, bottle. Upper section of angular ribbon handle with simple folded attachment. Trace of cylindrical neck. Tooling marks on underside. Elongated bubbles. Strain cracks. All surfaces heavily worn. Fill 16230, Ditch 25260, Area H, Period VI
120. (Not illustrated) Lower body and base fragment, cylindrical bottle. Slightly convex lower body tapering in to concave base. Edge of base heavily worn. Fill 11311, Pit 11304, Area N, Period IV
121. (Not illustrated) Lower body and base fragment, ?cylindrical bottle. Convex lower body tapering in to concave base. Base edge lightly worn. Bubbly. Yellow-green impurity. 7000, Unstratified, Area G
122. Nine joining rim, neck, handle, shoulder and upper body fragments, small square bottle. Rim folded out, up, in and flattened unevenly. Cylindrical neck, expanding out slightly. Angular ribbon handle, folded upper attachment joined to neck and underside of rim, simple lower attachment with at least twelve shallow ribs combed onto shoulder. Trace of one straight side. Yellow-brown streaks in neck and rim. Elongated bubbles in neck and handle. Light wear on rim edge. Rim dia. 31.5mm, int. neck dia. 15mm, handle width 32.5-37.5mm, thickness 1.5-2.5mm. Layer 9510, Area D, unphased
123. Lower body and base fragment, small square bottle. Parts of three straight sides and trace of fourth. Concave base, raised design; four semi-circular mouldings in centre of each base edge in low relief, small circular pellets in two surviving corners and small circular pellet in centre. Pontil scar. Very bubbly. Base edge lightly worn. Fill 15869, Pit 15868, Area M, Period V
124. Two joining lower body and base fragments, small square bottle. Part of one straight side. Slightly concave base, raised design; faintly moulded circle, off-centre, within larger circle. Small circular pellet in one corner of base. Pontil scar in centre. Strain cracks. Many small bubbles. Internal surface lightly scratched. Spread 21514, Area J, Period VI
125. Lower body and base fragment, small square bottle. Part of one straight side. Concave base, raised design; one circle with poorly-moulded 'X' at centre and two right-angled mouldings in the corners. Central pontil scar. Edge of mouldings lightly worn. Spread 20186, Area L, unphased
126. Lower body and base fragment, small square bottle. Parts of two straight sides. Flat base, raised design; part of one circle. Base pitted. Outside surfaces scratched. Base edge and moulding worn. Small bubbles. Cleaning layer 6000, Area H
127. Three lower body and base fragments, two joining, square/rectangular bottle. Parts of two straight sides. Flat base, raised design; parts of two triangular corner mouldings and small circle in centre. Base pitted. Pontil scar in centre. Edges of base worn. Strain cracks. Heavy iridescence. Small bubbles. Fill 4692, Slot 4695, Area K, unphased; Fills 4925, 4954, Pit 4943, Area K, Period IV



128. (Not illustrated) Lower body and base fragment, square/rectangular bottle. Parts of two straight sides and edge of base. Heavily scratched. Very heavy iridescence. Fill 4081, Pit 4080, Area K, Period II
129. Handle and upper body fragment, small prismatic bottle. Lower section of angular ribbon handle with eleven slightly curving ribs pulled onto shoulder. Trace of one straight side. Elongated bubbles in handle. 12000, Unstratified, Area R
130. Lower body and base fragment, prismatic bottle. One straight side and trace of second. Flat base, shallow raised design; right-angled narrow bar parallel with the base edge. Base edge heavily worn and base heavily scratched. Many bubbles. Black streaky impurities. Layer 6238, Area H, Period V
131. Lower body and base fragment, prismatic bottle. Pale blue-green. One straight side. Flat base, raised design; part of circle close to base edge and further irregular moulding within circle. Indent in lower body. Very bubbly. Black and green streaks and impurities. Scratched surfaces. Layer 5907, Area I, Period IIIB
132. (Not illustrated) Lower body and base fragment, prismatic bottle. One straight side. Flat base, raised design; part of circle. Raised design heavily worn. Very bubbly. Fill 7458, Foundation pit 7461, Area G, Period III
133. (Not illustrated) Lower body and base fragment, prismatic bottle. Part of one straight side. Flat base, raised design; part of slightly curving feature running almost parallel to base edge. Base slightly pitted. 7000, Unstratified, Area G
134. Base fragment, prismatic bottle. Flat base, raised design; two concentric circles surrounding central circular pellet and further circular pellet outside concentric circles. Strain cracks. Medium-sized bubbles. Edge of moulding lightly worn. Fill 7447, Gully 7454, Area G, unphased
135. (Not illustrated) Base fragment, prismatic bottle. Flat base, raised design; one circle. Base slightly pitted. Edge of moulding lightly worn. Cleaning layer 21500, Area J
136. Base fragment, bottle. Concave base, thickened towards centre. Circular raised moulding in centre and trace of further raised moulding. Many small bubbles. Lightly scratched. Layer 24243, Area M, Period III

## Melted fragments

There are twelve blue-green heat-distorted fragments and four pale green examples, probably the melted remains of vessels. Six pieces came from a layer (24243) in the southern settlement zone, which also produced a large quantity of burnt pottery. A further large piece (Fig.00.137) was recovered from the fill of cremation burial 12219, from which a near-complete colourless glass cup (Fig.00.14) was also retrieved. Melted unguent flasks have been noted from other cremation burials (Price and Cottam 1998, 169), and the Elms Farm piece may also be the remains of a small flask. More specifically, it must have been a pyre offering.

137. Melted amorphous mass, blue-green. Precise form not identifiable, but possibly an unguent bottle. Fill 12214, Cremation Burial 12219, Area R, Period III

Little significance can be placed on so few pieces of melted glass, other than the remains of possible unguent bottle No.137, although four of the remaining

pieces are all from late Roman contexts. One of these contexts, pit fill 5162 in the temple area, produced a small rim fragment probably from a pillar-moulded bowl. Interestingly, the sherd is melted on the inside surface.

## Conclusion

The presence of two early ribbed bowls indicates that some glass was probably reaching Heybridge before the conquest. Exotic ceramic imports, such as Italian and Gaulish platters, and new products such as wine, were being imported into Heybridge from the mid 1st century BC. It is possible that the bowls accompanied these exotic commodities, although the import of *glass* vessels into late Iron Age Britain is extremely rare. The few pieces of early cast glass noted at *Camulodunum* came from vessels of a different type. Ribbed bowls have previously been noted only in burials, perhaps indicating the highly-prized nature of such imports. In contrast to *Camulodunum*, there appears to be a hiatus in glass importation to Heybridge in the mid 1st century AD. There are almost no vessels of Claudio-Neronian date, and certainly none in polychrome glass. This is in line with the pottery evidence, and might require explanation. Perhaps the conquest of AD43 had little impact on the inhabitants of Heybridge. Contact with the continent had been well established by the late 1st century BC ([Link to strat rep](#)) and a sufficiently high degree of Romanization might have already been achieved by the mid 1st century AD. Alternatively, as many polychrome vessels are Italian imports; the source of most of the glass for Heybridge could have been restricted to the production centres in Gaul.

Glass importation seems to have resumed during the later Neronian period, along with increased trade in samian tableware. The ordinary nature of the vessel glass assemblage is much in evidence. There appears to have been a steady use of vessels throughout the Roman period, but there is a paucity of forms. For instance, there is nothing which is highly decorated in the assemblage and there are no faceted or engraved cups. In addition, very little is in high quality, colourless glass. Comparison with the tables showing glass forms in use at Colchester (Cool and Price 1995, 212-21) indicates that many of these forms are absent at Heybridge, and others are restricted to single examples. Even so, of the more utilitarian vessels, Heybridge has more than an adequate range, and there is some diversity of form. Very few high quality pieces are present, but there are uncommon vessel types, such as the indented pieces (Fig.00.20 and Fig.00.96).

Later Roman glass vessels, mainly beakers and bowls, are also fairly common. Those recovered all have cracked-off rims; later examples with fire-rounded rims are absent, although these beaker types were present in the Crescent Road excavations (Wickenden 1986, fig.12.51-2). Fire-rounded rims are diagnostic of vessels of mid 4th to 5th century date (Price and Cottam 1998, 130) and their occurrence might have provided an insight into late Roman and Saxon occupation at Heybridge. The main focus of this later activity seems to be just to the north of Elms Farm, and so the absence of the latest forms here is perhaps not unexpected. Later Roman vessels occur

elsewhere in Essex; at least eleven were recorded at Chelmsford (Drury 1988, fig.75.13-5; Wickenden 1992, fig.44.16-21) and both cracked-off and fire-rounded rims were identified. Beakers with fire-rounded rims were also recovered at Great Dunmow (Wickenden 1988, fig.32.21-3; fig.34.19-24) and late Roman vessels were present at the villa site at Chignall St. James (Clarke 1998, fig.59.7-12).

Much of the assemblage consists of containers, with at least 60% of the vessel total comprising bottles and jugs. There is a very low proportion of cups (10%) and an equally low proportion of flasks. Interestingly, a 2nd-century AD cremation burial, 12219, contained an almost intact colourless cup (Fig.00.14) and a second, related, burial, 12203, contained a blue-green flask (Fig.00.87). The use of glass cups and flasks as grave goods is well-documented (Price and Cottam 1998), although certain types are more commonly-found than others. The presence of glass vessels in graves at Heybridge perhaps indicates that cups and flasks were items of prestige, in view of their apparent scarcity. Glass use as pyre goods is also evident, as the melted remains of a vessel were recovered from cremation burial 12219. Melted glass unguent flasks are often found within cremation burials (Allen 1998, 27) and it is thought that the oils they contained were used to anoint the body during the funerary ritual. The empty flask may then have been placed on the pyre with the body, or perhaps at a later stage of the cremation process. Alternatively, a flask complete with contents may have constituted a pyre offering.

The significance of glass in ritual contexts is not usually considered, mainly because such a deposit is hard to recognise. Vessels which occur in burials are the obvious exceptions. Few other contexts with potentially ritual connotations, and which also contained glass, were recognized. Two examples in the vicinity of the temple were tentatively identified, the first, pit 5180 (fill 5162), contained the rim fragment from a bowl. The interior surface of the vessel had been heated to melting point. The second, pit 5209 (fill 5214), contained many small fragments of bubbly glass, all from the same vessel, with decoration in the form of abraded bands. The vessel form can be suggested, although there is no rim present, and is probably a late Roman convex cup (Price and Cottam 1998, 117-9; fig.48b). That the cup is in many small fragments may be due to the fragile, thin-walled nature of these vessels. However, the potential significance of numbers of very small fragments in a ritual connection has been noted at Fosse Lane, Shepton Mallet (Price and Cottam 2001, 170) and Uley (Price 1993, 210). Conclusions are difficult to reach with just two examples, but it is interesting that they are both open forms. Further research into ritual aspects of glass deposition may prove fruitful.

The presence of a high proportion of square and prismatic bottles probably indicates a relatively local source of production. Glass-making in Britain occurred in several places, the Colchester area among them (Cool and Price 1995, 209-10), although the evidence remains slight. It appears that the industry in Britain might have been restricted to the recycling of glass waste, and the subsequent production of containers. The lack of glass vessel

remains, in comparison with those of pottery, has often been regarded as evidence for the collection and recycling of glass. This may well contribute to the apparent scarcity of glass vessels in many places, including sites in Essex. It has been noted above that Heybridge has produced the second largest glass assemblage after Colchester, but glass collections from elsewhere in Essex are poor. The site at Ivy Chimneys, Witham, with 240 vessel and 287 window fragments (Allen 1999, MF3.6), compares well with Heybridge but many others, including Chelmsford, yielded less than a hundred fragments in total. Collection for recycling at every Roman settlement seems an unlikely premise to explain the scarcity of glass fragments. The most reasonable explanation is that glass supply itself was neither constant nor in any great quantity. This might be expected with a commodity which, in the main, is imported into Roman Britain. The major production centres in the north-west provinces are in the Cologne area, and perhaps trade links were only well-established with large centres such as Colchester. Glass supply to settlements elsewhere may have been dependent on secondary supply from these major centres.

*Appendix 1:*

**CATALOGUE OF THE ROMAN GLASS FROM HEYBRIDGE, ESSEX**

By Sally Worrell

**Cast Vessels**

001 HYEF 94 17000

Rim and upper body fragment, ribbed bowl. Yellow/brown. Slightly out-turned rim, convex body tapering in. Parts of five vertical ribs in low relief. Broad shallow ridge and groove ground at shoulder above ribs. Broad wheel-cut line below rim on interior. Rim, shoulder and inside surface ground. All surfaces heavily scratched and worn. PH: 36.5 RD: 110 T: 2-4.5

002 HYEF 94 17000

Rim and upper body fragment, ribbed bowl. Yellow/brown with green tinge. Slightly out-turned rim, convex body tapering in. Parts of five vertical ribs. Narrow groove ground at shoulder above ribs. Broad wheel-cut line below rim on interior. Rim, shoulder and inside surface ground. All surfaces heavily scratched and worn. PH: 31 RD: c. 110 T: 3-4.5

003 HYEF 94 5601

Rim and upper body fragment, pillar moulded bowl. Pale green. Vertical rim. Part of one prominent vertical rib. Ground on inside surface and lightly at rim, ribbed area shiny. Tooling marks below rim. Edge of rib worn. PH: 34.5 RD: c. 170 T: 3-11

004 HYEF 94 6418

Rim, shoulder and upper body fragment, pillar moulded bowl. Pale green. Vertical rim. Trace of one vertical rib. Ground on inside and lightly at rim, shoulder and ribbed area shiny. PH: 27.5 RD: c. 160 T: 2.5-5

005 HYEF 94 11310

Body fragment, pillar moulded bowl. Blue/green. Slightly convex side. Bottom of shoulder, part of two vertical ribs with rounded tops. Ground on inside, ribbed area shiny. Edges of ribs very worn. Scratched internal surfaces. ?One edge grozed. Dims.: 34 x 31 T: 4.5-9

006 HYEF 94 5601

Body fragment, pillar moulded bowl. Blue/green. Convex side. Part of one vertical rib. Ground on inside, ribbed area shiny. Rib heavily chipped. Dims.: 16.5 x 23 T: 2-6.5

007 HYEF 94 13820 1058

Lower body fragment, pillar moulded bowl. Blue/green. Convex side. Part of one vertical tapering rib. Abraded band on inside surface near base. Ground on inside, ribbed area shiny. Some small bubbles. Strain crack. Dims.: 21.5 x 29 T: 3-5.5

008 HYEF 94 17258

Base fragment, pillar moulded bowl. Blue/green. Flat base, curving up slightly. One small wheel-cut circle at centre of base and two wheel-cut lines at edge of base. Strain cracked.  
Dims.: 23 x 13.5 T: 3-4.5

Also 2 convex dark blue body fragments:

008a HYEF 94 9217 - ?base of pillar moulded bowl. Ground inside, shiny outside.  
Dims. 20 x 7 T: 2

008b HYEF 94 6053 - ?plate or bowl. Ground on both surfaces. Lightly scratched.  
Dims.: 36 x 10 T: 3

### **Mould-blown Vessels**

009 HYEF 95 24077

Rim, shoulder and upper body fragment, hemispherical ribbed bowl. Blue/green. Vertical rim, edge cracked-off and lightly smoothed, slightly concave shoulder, change of angle to convex body. Parts of eleven close-set vertical ribs in low relief on body. Many small bubbles. Edges of ribs lightly worn.  
PH: 39 RD: 110 T: 0.6-1.7

010 HYEF 94 4000

Body fragment, hemispherical ribbed bowl. Blue/green. Convex side. Parts of three and trace of fourth close-set, evenly spaced vertical ribs. Thick-walled. Small bubbles.  
Dims.: 37 x 19 T: 2.5-3

### **Blown Vessels**

#### *Polychrome*

011 HYEF 94 20000

Body fragment. Colourless with semi-opaque mid-blue trails. Convex side. One curving 'snake-thread' trail with faint horizontal scored lines.  
Dims.: 15.5-14.5 T: 0.5-1.5

#### *Strongly coloured*

#### *Dark blue*

012 HYEF 94 4164 BS/R/607.1 CF

Rim and upper body fragment, convex cup. Dark blue. Vertical rim, edge cracked-off and ground, slightly convex side. Narrow abraded band below rim. Strain cracks.  
PH: 20 RD: c. 65 T: 1.8-2.5

013 HYEF 94 16051

Body fragment, ?bowl. Dark blue. Convex side, sloping in to carination. Surfaces lightly scratched.  
Dims.: 24.5 x 31 T: 2-2.5

014 HYEF 94 13801

Handle fragment, jug. Dark blue. Straight ribbon handle, one side missing. One very prominent central rib. Black impurities.  
PH: 45 Handle section (excluding rib): 10 x 2

Also 9 dark blue convex body fragments:-

014a HYEF 94 8723 - 6 fragments. Bubbly. Thin-walled.  
014b HYEF 94 8742 - bubbly  
014c HYEF 94 9065 - bubbly.  
014d HYEF 94 7576 - bubbly.

Also 5 dark blue straight-sided body fragmetns:-

014e HYEF 94 8722 - 3 fragments, 2 joining.  
014f HYEF 94 7061  
014g HYEF 94 1020 13389

Also 1 mid-blue convex body fragment:

014h HYEF 94 18236 BS/R/1092

Also 1 base fragment. Dark blue. Concave base, pitted on lower surface. Bubbly.

014i HYEF 94 9002

#### *Yellow/brown*

015 HYEF 94 9290

Lower body fragment, ?bowl. Yellow/brown. Convex side, strong change of angle.  
Lightly scratched surfaces.

Dims: 31 x 23 T: 2

Also 1 lower body fragment, ?bowl/cup. Slightly convex side, rounded change of angle. Heavily scratched.

015a HYEF 94 5598

016 HYEF 94 13468

Two fragments. handle and body, conical jug. Dark yellow/brown. Ribbon handle with pronounced central rib forming central prong. Straight-side, part of shallow vertical rib.

Handle: L: 19 W: 16 T: 1.5-5

Body fragment: Dims.: 10 x 17 T: 0.6-1

017 HYEF 94 6203

Two body fragments, conical jug. Yellow/brown. Straight side. At least one vertical rib. Surfaces lightly scratched. Some small bubbles.

Dims. (largest fragment): 38 x 24 T: 1.5-3

Also one small body fragment, conical jug. Dark yellow/brown. One vertical rib.

017a HYEF 94 5798 BS/R/948

Also one body fragment, convex jug/jar. One slightly curving rib.

017b HYEF 94 1092 18236

018 HYEF 94 4198

Base fragment, ?jar/jug. Dark yellow/brown. Edge of open base ring, concave base.

PH: 6 T: 0.8-2.5

Also 1 yellow/brown base fragment, ?jug/jar/flask:

018a HYEF 94 5148 - open base ring, concave base. Surfaces scratched.

Also 2 yellow/brown convex body fragments:

018b HYEF 94 10061 - pale yellow/brown

018c HYEF 94 17000

Also 1 yellow/brown straight-sided body fragment:  
018d HYEF 94 11348 - ?cup/beaker. Pale yellow/brown. Cylindrical body

*Yellow/green*

019 HYEF 94 15543  
Rim and upper body fragment, jar. Yellow/green. Vertical rim, edge fire-rounded, then bent out and down. Upper body expanding out. Edge of rim lightly worn.  
PH: 21 RD: 90 T: 1.5

Also 1 yellow/green indented body fragment:-  
019a HYEF 94 20091 BS/R/822 - ?trace of one indent

Also 1 yellow/green body fragment with horizontal abrasion:-  
019b HYEF 94 16741 - slightly convex

Also 3 undecorated yellow/green straight body fragments:-  
019c HYEF 94 8737  
019d HYEF 94 5430 BS/R/924.1 - pale yellow/green  
019e HYEF 94 5692 938 - pale yellow/green

*Pale green*

020 HYEF 94 6000  
Rim and upper body fragment, jar. Pale green. Out-turned tubular rim, edge first fire-rounded then bent out, down and in. Body expanding out. Many small bubbles. Black specks.  
PH: 15.5 RD: c. 110 T: 1

021 HYEF 94 9488  
Body fragment, convex jar/jug. Pale green. Convex side. One vertical rib. Many bubbles in streaks.  
Dims.: 45.5 x 28 T: 0.7-2.2

022 HYEF 94 4000  
Lower body and base fragment, convex jar or jug. Pale green. Wide convex side curving in to slight constriction above open pushed-in base ring and concave base. Base edge worn. Many small bubbles.  
PH: 22 BD: 65 WT: 2.5-4

023 HYEF 94 11368  
Lower body and base, ?jar/jug. Pale green. Convex side, flat thickened base, slightly concavity in centre. Base edge heavily worn. Many small bubbles. Surfaces scratched.  
PH: 16.5 BD: 48 WT: 2-3

024 HYEF 94 14558  
Body fragment, ?conical jug. Pale green. Straight side, parts of three vertical ribs. Small elongated bubbles.  
Dims.: 18.5 x 28.5 T: 0.8-1.2

025 HYEF 94 8094  
Rim fragment, spouted jug. Pale green. Funnel mouth, rim edge fire-rounded. Part of rim pulled up to form spout.  
PH: 15 T: 1-2



026 HYEF 95 24058

Handle fragment, jug. Pale green. Angular ribbon handle, central indent with rounded change of angle. Elongated bubbles. Red/brown inclusions.

L: 39.5 W: 11.5-14 T: 1-2.5

027 HYEF 94 5786

Handle fragment, jug. Pale green. Plain rod handle with D-shaped section. Green streaky impurities. Heavily worn.

Dims.: 10 x 11.5 T: 5.5

Also 1 pale green body fragment with horizontal abrasion:-

027a HYEF 94 11368 - straight side

### *Colourless*

#### Cups and beakers

028 HYEF 94 12214

Almost complete cylindrical wheel-cut cup, colourless. Small area missing from rim. Slightly out-turned rim, edge cracked-off and ground smooth. Cylindrical body, tapering in slightly to small flat base which thickens towards the centre with a small central concavity. Faint horizontal abraded lines below rim, on upper body and above base and two close-set broad wheel-cut lines around the centre of body. Edge of base lightly worn and scratched. Small to large bubbles. Strain cracks.

H: 61.5 RD: 80 BD: 35 T: 1

029 HYEF 94 14093 BS/R/730

Upper body fragment, ?cup/flask. Colourless. Convex side, constriction above body, ?trace of rim or neck. Two broad close-set horizontal wheel-cut lines. Strain cracks. Light iridescence.

Dims.: 25 x 25 T: 1-1.5

Also 2 straight-sided colourless body fragments with wheel-cut lines:

029a HYEF 95 23030 - one broad wheel-cut line. Occasional small bubbles.

029b HYEF 94 8991 - two narrow horizontal wheel-cut lines. Strain cracks.

Also 4 convex colourless body fragments with wheel-cut lines:

029c HYEF 94 7574 - ?cup/bowl. One horizontal wheel-cut line.

029d HYEF 94 10891 BS/R/1612 CF - band of narrow horizontal abrasion and shallow wheel-cut line below.

029e HYEF 94 12043 - 2 joining fragments. Slightly convex side, two shallow wheel-cut lines.

030 HYEF 94 8990

Rim and body fragment, cylindrical cup. Colourless with greenish tinge. Slightly in-turned rim, edge fire-rounded. Straight side. Small bubbles. Light iridescence.

PH: 45.5 RD: 92 T: 1.5-3

031 HYEF 94 9628

Three base fragments, cylindrical cup. Colourless. Flat base with tubular base ring and of thick trailed ring in centre. Light wear on base edge. Internal surface heavily scratched.

PH: 8 BD: 55 T: 1.5-8

032 HYEF 94 7000

Nine body fragments, five joining in two groups, cylindrical bowl. Colourless. Vertical rim, edge fire-rounded. Straight side. Light wear on interior of rim. Some very small bubbles.

PH: 48 RD: 156 T: 0.8-3

033 HYEF 94 7000

Two joining rim and upper body fragments, cylindrical bowl. Colourless. Slightly in-turned rim, edge fire-rounded. Straight side. Light wear on interior of rim.

PH: 20.5 RD: 150 T: 1.5-2.5

034 HYEF 94 15056

Rim fragment, bowl. Greenish colourless. Out-turned horizontal rim, edge fire-rounded. Many small bubbles. Black specks. Strain cracks.

PH: 5 RD: 140 T: 2

035 HYEF 95 24243

Two joining body fragments, ?convex bowl. Colourless. Convex side. Narrow band of horizontal abrasion. Many small bubbles. Light iridescence.

Dims.: 34.5 x 20 T: 2-2.3

036 HYEF 94 7596

Two lower body and base fragments, flask. Colourless. Convex lower body, slightly concave base. Curving colourless applied trail above edge of base. Base edge heavily worn. Many small bubbles.

PH: 8 BD: c.35 T: 1.5-3.5

037 HYEF 94 9027

Eleven body and base fragments, ?Mercury flask. Greenish colourless. Part of one straight side, flat base.

PH: 12 T: 5.5-7

038 HYEF 94 5607

Two joining ?body and base fragments, cylindrical bottle. Greenish colourless. Straight side, curving base edge. Many strain cracks. Worn on base edge.

Dims.: 46 x 43 T: 2-3.5

039 HYEF 94 9373

?Shoulder and upper body fragment, cylindrical bottle. Greenish colourless. Curving shoulder, straight side. Surfaces lightly scratched.

PH: 24 T: 1.5

Also 1 straight-sided colourless body fragment with ribs:-

039a HYEF 94 7000 - two vertical shallow ribs, thin-walled

Also 1 indented greenish colourless body fragment:-

039b HYEF 94 5374

Also 20 undecorated straight-sided colourless body fragments:-

039c HYEF 94 6048

039d HYEF 94 4690 BS/R/656 CF -slightly heat distorted.

039e HYEF 94 14591 BS/R/766.1 CF - 2 fragments

039f HYEF 94 8076 BS/R/1822.1 CF

039g HYEF 94 9459 FS/R/403 FF - small fragment

039h HYEF 94 4692 BS/R/657 CF - small fragment

039i HYEF 93 2454 BS/R/153  
039j HYEF 94 8094 BS/R/1812  
039k HYEF 94 7126 - 4 fragments.  
039l HYEF 94 1612 10891 - 6 fragments  
039m HYEF 94 761 14551  
039n HYEF 94 1612 10891 - colourless with greenish tinge.

Also 34 undecorated convex colourless body fragments:

039o HYEF 94 9469 - bubbly  
039p HYEF 94 4994  
039q HYEF 94 10054 BS/R/1503.1 CF - slightly convex  
039r HYEF 94 14423 - 7 fragments  
039s HYEF 94 10891  
039t HYEF 94 10891 BS/R/1612 CF - 3 fragments  
039u HYEF 94 5841 5805 BS/R/949 CF  
039v HYEF 94 4392 BS/R/632.1 CF  
039w HYEF 94 8093 BS/R/1819 - thin-walled  
039x HYEF 94 14093 BS/R/730 - 2 small fragments  
039y HYEF 94 5237 BS/R/911  
039z HYEF 94 8991 BS/R/1922 CF - 8 small fragments  
039aa HYEF 94 4129 BS/R/613.1  
039ab HYEF 94 10891 BS/R/1612 - 3 fragments  
039ac HYEF 94 1612 10891  
039ad HYEF 94 1607 10987 - thin-walled

#### *Blue/green*

040 HYEF 94 5148  
Body fragment, convex cup. Blue/green. Convex side. ?Three broad bands of horizontal abrasion. Heavily scratched. Many small bubbles.  
Dims.: 22.5 x 23.5 T: 1.5

041 HYEF 94 8000  
Body fragment, ?beaker. Blue/green. Straight side. Part of one indent and six irregularly-spaced narrow horizontal or spiral trails. Strain cracks. Small bubbles.  
Dims.: 35 x 12.5 T: 0.8-1.2

042 HYEF 94 6000  
Rim and upper body fragment, cylindrical cup. Blue/green. In-turned rim, edge fire-rounded. Slightly convex upper body. Green streaky impurity in rim. Many small bubbles.  
PH: 15 RD: 80 T: 0.8-1-8

043 HYEF 94 10061  
Rim and upper body fragment, cylindrical cup/small bowl. Blue/green. Funnel mouth, out-turned rim, edge fire-rounded. Dark yellow/green streaky impurity in rim.  
PH: 19 RD: 112 T:1

044 HYEF 94 9324 & HYEF 94 9336  
Three rim, body and base fragments, two joining, small cylindrical bowl. Blue/green. Slightly out-turned rim, edge fire-rounded. Straight upper body, curved change of angle, horizontal lower body. Trace of base ring. Small bubbles  
PH: 51 RD: 95 T: 0.5-1.5

045 HYEF 94 13419

Lower body and base fragment, ?cup/beaker/bowl. Blue/green. Straight-sided lower body tapering in to tubular pushed-in base ring with concave base and central kick. Strain cracks.

PH: 10.5 BD: 55 WT: 1

046 HYEF 94 9723

Three joining rim and upper body fragments, deep tubular rimmed bowl. Blue/green. Slightly out-bent rim, edge bent out and down. Straight side.

PH: 40 RD: 185 WT: 1.5-2

047 HYEF 94 4030

Rim and upper body fragment, tubular-rimmed bowl. Pale blue/green. Slightly in-turned rim, edge rolled-in then bent out and down. Straight side. Many small bubbles.

PH: 21 RD: 120 WT: 0.5

048 HYEF 94 15044

Rim and upper body fragment, tubular-rimmed bowl. Blue/green. Vertical rim, edge thickened, then bent out and down. Convex side.

PH: 16 RD: 140 T: 1

049 HYEF 94 8094

Rim and upper body fragment, tubular rimmed bowl. Blue/green. Vertical rim, edge rolled in then bent out and down. Straight side expanding out slightly.

PH: 14.5 RD: 160 WT: 0.6-0.8

050 HYEF 94 6316

Rim and upper body fragment, tubular rimmed bowl. Blue/green. Rim rolled in, then bent out and down.

PH: 11.5 RD: 110 WT: 0.7

051 HYEF 94 20000

Rim and upper body fragment, tubular-rimmed bowl. Blue/green. Vertical rim, edge bent out and down. Straight side.

PH: 12.5 T: 0.7

052 HYEF 94 6316

Rim and upper body fragment, tubular rimmed bowl or jar. Blue/green. In-turned rim, edge bent out and down. Straight side.

PH: 11.5 RD: 120 WT: 0.7

053 HYEF 94 13348

Rim and upper body fragment, tubular-rimmed bowl or jar. Blue/green. Vertical rim, thickened edge bent out then down. Straight-sided upper body tapering in.

PH: 10 T: 0.7

054 HYEF 94 9210

Rim and upper body fragment, bowl. Blue/green. Out-turned rim, edge fire-rounded. Straight upper body tapering in.

PH: 22 RD: 140 T: 1-1.5

055 HYEF 94 6227

Lower body and complete base fragment, bowl. Blue/green. Wide horizontal lower body, tubular pushed-in base ring, concave base. Large central pontil scar. Slight wear on base edge.

PH: 10 BD: 39 WT: 0.8

056 HYEF 94 6025

Lower body and base fragment, bowl. Blue/green. Flat base, vertical pushed-in base-ring. Base edge worn. Some large bubbles.

PH: 10 BD: 48 T: 1-2.5

057 HYEF 94 12000

Lower body and base fragment, ?bowl. Blue/green. High vertical tubular base-ring. Heavily distorted by heat.

PH: 13.5 T: 2.5

058 HYEF 94 10310 BS/R/1524 CF

Rim and upper body fragment, plate/shallow bowl. Blue/green. Horizontal rim, edge fire-rounded, change of angle above body. Small bubbles.

PH: 6 RD: c. 100 T: 1

### *Jars*

059 HYEF 94 9008

Rim fragment, jar. Blue/green. Slightly out-turned rim, edge rolled in, then bent out and down. Many small bubbles.

PH: 20 RD: 85 T: 1.5

060 HYEF 94 7000

Rim and upper body fragment, jar. Blue/green. Vertical rim, edge rolled in, then rolled out and down.

PH: 15 RD: c. 85 T: 1

Also 2 convex body fragments, jar/jug. Pale blue/green.

060a HYEF 94 6653 - one vertical rib

060b HYEF 94 12000 - one shallow vertical rib. Very bubbly.

061 HYEF 94 5598

Two joining lower body and base fragments, jar/jug. Blue/green. Wide convex side curving in to slight constriction above open pushed-in base ring. Base edge lightly worn. Small to medium bubbles.

PH: 19 BD: 60 T: 2-3

062 HYEF 94 10385

Lower body and base fragment, jar/jug. Blue/green. Wide convex lower body curving in to open tubular pushed-in base ring. Base edge lightly worn.

PH: 21.5 BD: 60 T: 2

063 HYEF 94 8000

Rim fragment, jar. Blue/green. Horizontal out-bent tubular rim, edge fire-rounded then out, down and in. Lightly scratched.

PH: 4 RD: 112 T: 0.8

064 HYEF 94 5723

Rim fragment, jar. Blue/green. Horizontal out-bent rim, edge rolled in and flattened.

PH: 4.5 RD: 70 T: 1.5

065 HYEF 94 12080

Rim fragment, jar. Blue/green. Out-turned rim, edge rolled-in, funnel mouth.

PH: 4 RD: 50 T: 1

066 HYEF 95 23025

Rim and neck fragment, jar. Blue/green. Vertical rim, edge fire-rounded and bent in forming small 'step'. Funnel mouth, neck sloping in.  
PH: 12 RD: 72 T: 1

### *Jugs*

067 HYEF 94 10255

Rim, neck and handle fragment, jug. Pale blue/green. Out-turned rim, edge rolled-in and flattened irregularly. Cylindrical neck. Handle applied below rim, pulled up and out. Return trail on rim edge. Yellow/green streak in rim. Many elongated bubbles.  
PH: 26.5 RD: 31 Internal ND: 13.5 T: 2-3.5

068 HYEF 94 10891

Rim and neck fragment, jug/flask. Pale blue/green. Horizontal rim, bent out, up and in irregularly and flattened, cylindrical neck. Bubbly.  
PH: 6 RD: 30 T: 2.5

069 HYEF 94 10249

Rim and neck fragment, jug. Blue/green. Horizontal rim, edge bent out, up, in and flattened. Cylindrical neck. Trace of handle on rim edge. Upper surface scratched.  
PH: 5 RD: 32 Internal ND: 16 T: 1.3

070 HYEF 94 16236

Four neck, handle and upper body fragments, two joining, convex jug. Blue/green. Cylindrical neck, expanding out to horizontal rim, edge missing. Angular handle with three ribs, pulled onto convex body. Elongated bubbles in neck and handle.  
PH (neck): 27.5 Internal ND: c. 13 T: 1.5

071 HYEF 94 10182

Nine handle and body fragments, convex jug. Pale blue/green. Ribbon handle with three ribs, simple lower attachment. Convex side. Elongated bubbles.  
PH: 39 W: 18-24.5 WT: 0.5

072 HYEF 94 13351

Shoulder fragment, jug. Blue/green. Curving shoulder, trace of neck. Four shallow curving ribs. Tooling marks on ribs. Strain cracks.  
Dims.: 24.5 x 13.5 T: 2.5-3

073 HYEF 94 13494 BS/R/1022

Body fragment, conical jug. Blue/green. Straight-side. Two narrow slightly curving ribs and trace of third. Strain cracks.  
Dims.: 15.5 x 12 T: 2.5-3

Also 1 blue/green body fragment, conical jug. Straight side, one slightly curving rib  
073a HYEF 94 13223

074 HYEF 94 9042

Body fragment, jug/jar. Blue/green. Convex side. Two unmarvered narrow horizontal trails. Very bubbly.  
Dims: 20 x 31.5 T: 0.5-1

Also 1 blue/green body fragment, jug/jar. Convex side, one narrow horizontal trail:  
074a HYEF 94 13277 -many small bubbles. Strain cracks.

075 HYEF 94 4925

Rim and upper body fragment, spouted jug. Blue/green. Funnel mouth, rim edge rolled-in and flattened. One end pulled up to form spout (missing). Light iridescence.  
PH: 23.7 T: 1-1.5

076 HYEF 94 8261

Rim and upper body fragment, ?spouted jug. Blue/green. Funnel mouth, rim edge fire-rounded. Streak of small horizontal bubbles below rim. Strain cracks.  
PH: 10 T: 1-1.5

Also 7 neck and shoulder fragments, jug/flask/bottle. Blue/green.

076a HYEF 94 11000

076b HYEF 94 10496

076c HYEF 94 18216 1072

076d HYEF 94 7446

076e HYEF 94 5907

076f HYEF 94 10333 - trace of neck

076g HYEF 94 5691 - trace of neck

077 HYEF 94 6000

Handle and shoulder fragment, jug. Blue/green. Simple lower attachment of ribbon handle. Convex body. Elongated bubbles and black and yellow/brown streaks and specks in handle.

PH: 17 Maximum W: 33 T: 1.5

078 HYEF 94 15043

Handle and shoulder fragment, jug. Blue/green. Ribbon handle, simple lower attachment. Convex shoulder. Irregular ridge on underside of handle.

PH: 26.5 W: 14-27.5 T: 1

079 HYEF 94 14805

Handle and body fragment, jug. Blue/green. Thick ribbon handle with simple lower attachment. Straight side.

Dims.: 20 x 16 T: 1.5

080 HYEF 94 7000

Handle fragment, jug/bottle. Blue/green. Upper section of plain angular ribbon handle. Black streaks and impurities.

Dims.: 16.5 x 15.5 T: 2-3

081 HYEF 94 5602

Handle fragment, ?jug. Blue/green. ?Straight angular ribbon handle. Two vertical folded ribs.

PH: 41 Handle section (excluding ribs): 26 x 2.5

082 HYEF 94 7000

Handle fragment, ?jug. Blue/green. Angular ribbon handle. Rib at edge formed folding over edge. Trace of second rib. Yellow/green streaks. Heavily worn.

PH: 25 Handle section (excluding rib): 14 x 3

083 HYEF 94 6000

Handle and body fragment, jug. Oval-sectioned rod with simple lower attachment showing horizontal tooled impression. Two irregular ridges on underside of handle. Elongated bubbles in handle.

PH: 20 W: 9-16

084 HYEF 94 8187

Handle fragment, jug. Pale blue/green. Upper section of oval-sectioned rod handle, with small folded thumb-rest with tooled impression. Elongated bubbles.

L: 29.5 W: 5-8 T: 3-8.5

Also 13 body fragments, ?jug/flask. Blue/green.

084a HYEF 94 6053 - 13 fragments, 2 joining.

085 HYEF 95 22024

Lower body and base fragment, ?jug/bowl. Blue/green. Convex lower body tapering in. High slightly diagonal base-ring. Base edge worn. Tooling marks on base-ring.

Many small bubbles.

PH: 14.5 BD: 80 T: 0.7-1.3

### *Flasks*

086 HYEF 94 12204

Forty joining fragments, almost complete conical-bodied flask. Blue/green. Horizontal out-turned rim, edge partially rounded and rolled in. Funnel mouth. Long cylindrical neck. Straight side, tapering in to simple concave base. Very thin-walled. Many small bubbles, elongated in neck.

PH: 162 RD: 36 ND: 12 BD: 52 WT: 0.2-1.5

087 HYEF 94 6418

Rim and neck fragment, flask. Blue/green. Rim out-bent almost horizontally, edge rounded and rolled in irregularly. Trace of cylindrical neck. Small bubbles. Black specks and inclusions.

PH: 6 RD: c.50 T: 1

088 HYEF 94 7470

Shoulder and upper body fragment, ?flask. Blue/green. Convex body and curving shoulder with trace of neck. Two narrow bands of horizontal abrasion on upper body. Small bubbles.

Dims.: 30 x 31 T: 0.5-2

Also 5 neck fragments, flask/jug/bottle. Blue/green.

088a HYEF 94 6715 - many elongated bubbles. Black specks and impurities.

Internal ND: 18

088b HYEF 94 4000 - 2 joining fragments. Lightly scratched. Internal ND: c. 30

088c HYEF 94 6742

088d HYEF 94 1607 10987

Also 5 neck and shoulder fragments, flask/jug. Blue/green.

088e HYEF 94 4000 - 3 neck and shoulder fragments, 2 joining, flask/jug/bottle.

Internal ND: 25-30

088f HYEF 94 8737

088g HYEF 94 9294

Also 5 convex body fragments, ?flasks:-

088h HYEF 94 13801 - 3 fragments. Two fragments decorated with one shallow wheel-cut line

088i HYEF 94 15518 - ?flask/bottle. Very bubbly. Large black inclusion. Heavily scratched.



088j HYEF 94 11000 - ?flask/jug. Very bubbly.

089 HYEF 94 16213

Lower body and base fragment, flask. Blue/green. Convex lower body, flat base.  
Many small bubbles.

PH: 29 BD: c.50 T: 2-7.5

090 HYEF 94 5610

Lower body and base fragment, ?flask. Blue/green. Convex body tapering in to flat  
base. Scratched surfaces. Bubbly.

PH: 24 BD: xx T: 2-5

091 HYEF 94 8991

Lower body and base fragment, ?bath-flask. Blue/green. Convex lower body curving  
in to small, flat, thickened base. Circular pontil scar. Thin walled. Very bubbly.

PH: 5.5 BD: 11 WT: 0.2-0.8

092 HYEF 94 10283

Lower body and base fragment, ?flask. Blue/green. Convex side curving in to convex  
base. Many small to medium bubbles. Heavily scratched.

Dims.: 31 x 32.5 T: 5.5-8.5

093 HYEF 94 6340

Lower body fragment, ?flask. Blue/green. Convex side. Streak of small bubbles.  
Black inclusions. Heavily scratched.

Dims.: 43.5 x 30.5 T: 3-5.5

094 HYEF 94 14052

Base fragment, ?flask. Blue/green. Concave base with small central kick. Pontil scar.  
Surfaces lightly scratched. Light iridescence.

PH: 8 BD: c. 50 T: 3

095 HYEF 94 4994

Body fragment. Blue/green. Straight side. Two bands of horizontal abrasion and two  
further bands of horizontal abrasion running diagonally across. One horizontal rib on  
interior surface. Light iridescence. Lightly scratched.

Dims.: 24 x 39 T: 1-3

Also 1 indented blue/green body fragment:-

095a HYEF 94 17242

Also 62 convex blue/green body fragments:-

095b HYEF 94 6268 - 2 fragments. Bubbly. One fragment with narrow band of  
horizontal abrasion.

095c HYEF 94 6227 - very bubbly

095d HYEF 94 6210

095e HYEF 94 11473

095f HYEF 94 13600

095g HYEF 94 12040 - bubbly

095h HYEF 94 7576

095i HYEF 93 401 42 - very bubbly

095j HYEF 94 14540 - bubbly

095k HYEF 95 23143

095l HYEF 94 12054

095m HYEF 94 10000

095n HYEF 94 10877 - 2 fragments  
095o HYEF 94 5901 - very bubbly  
095p HYEF 94 10289 - very bubbly  
095q HYEF 94 10106 - pale blue/green  
095r HYEF 94 10237  
095s HYEF 94 14090 BS/R/731 - 2 fragments  
095t HYEF 94 7472  
095u HYEF 94 7173 - very bubbly, red/brown and black inclusions  
095v HYEF 94 13669 - very bubbly  
095w HYEF 94 16051 - bubbly  
095x HYEF 94 7470 - thin-walled  
095y HYEF 94 9103 BS/R/323.1 CF - 3 fragments, pale blue/green  
095z HYEF 94 5214 BS/R/914.1 - 23 fragments, bubbly  
095aa HYEF 94 20114 BS/R/824 CF  
095ab HYEF 94 4150 BS/R/662.1 CF  
095ac HYEF 94 4692 BS/R/676  
095ad HYEF 94 13669 BS/R/1039 CF  
095ae HYEF 94 9488 - thick-walled  
095af HYEF 94 8737 - pale blue/green, thin-walled  
095ag HYEF 94 9103 - pale blue/green, thin-walled  
095ah HYEF 94 914 5214  
095ai HYEF 94 914 5214 - 2 fragments. Very bubbly.

Also 12 straight-sided undecorated blue/green body fragments:-

095aj HYEF 94 15079 - very bubbly  
095ak HYEF 94 7000 - very thin-walled  
095al HYEF 94 15117  
095am HYEF 94 5936  
095an HYEF 94 15014 FS/R/440.2 CF  
095ao HYEF 94 14093 BS/R/730  
095ap HYEF 94 9565 BS/R/412 CF  
095aq HYEF 94 14492  
095ar HYEF 94 12019  
095as HYEF 94 10750 BS/R/1547 CF  
095at HYEF 94 13696  
095au HYEF 94 1612 10891

096 HYEF 94 5494

Base fragment. Blue/green. Diagonal tubular pushed-in base ring, concave base with kick in centre (missing). Trace of lower body. Junction of lower body and base grooved. Small pontil scar. Scratched surfaces.  
PH: 7 BD: 50 T: 1.5

097 HYEF 94 4881

Base fragment. Blue/green. Slightly diagonal tubular base ring with concave base. Junction of lower body and base grooved.  
PH: 9 BD: 42 WT:1

098 HYEF 94 10361

Lower body and base fragment. Pale blue/green. Convex lower body tapering in to flat thickened base with slight concavity in centre. Surfaces scratched.  
PH: 8.5 BD: c.35 T: 1.5-2

*Late Roman vessels*

099 HYEF 94 6008

Two fragments, rim and upper body fragment and lower body and base fragment, conical beaker. Pale yellow/green. Slightly out-turned rim, edge cracked-off. Straight side tapering in to small concave base. Uneven band of horizontal abrasion below rim and two uneven bands on upper body. Many small bubbles.

PH (rim and upper body fragment): 39 RD: 80 T: 0.5-1

PH (lower body and base fragment): 31 BD: 27 T: 0.6-2

100 HYEF 94 7100 BS:R: 1207 CF

Small rim fragment, beaker/bowl. Greenish/colourless. Slightly out-turned rim, edge cracked-off. Narrow band of horizontal abrasion below rim.

PH: 4.5 T: 0.8

101 HYEF 94 5453

Lower body and base fragment, conical beaker. Pale yellow/green. Straight-sided lower body tapering in to small concave base. Base edge worn. Bubbly.

PH: 8 BD: 24 WT: 1

102 HYEF 94 4198

Body fragment, ?cup/flask. Greenish/colourless. Convex side. Three narrow bands of faint horizontal abrasion. Very bubbly. Light iridescence. Strain cracks.

Dims.: 33 x 48.5 T: 1-2.5

Also 1 greenish colourless convex body fragment with curving self-coloured trail, ?cup:

102a HYEF 94 4187

103 HYEF 94 6025

Two joining rim and upper body fragments, convex bowl. Pale green. Out-turned rim, edge cracked-off. Convex side, tapering in. Faint band of horizontal abrasion on upper body. Bubbly. Strain cracks.

PH: 30.5 RD: c. 120 T: 2-2.5

104 HYEF 94 11000

Rim and upper body fragment, convex bowl. Pale green. Curved rim, edge cracked-off. Shallow slightly convex body, tapering in. Several faint horizontal wheel-cut lines. Very bubbly.

PH: 9 RD: c. 110 T: 1

105 HYEF 94 5210

Lower body fragment, cup/bowl. Greenish/colourless. Straight side, rounded change of angle. Broad band of faint horizontal abrasion above change of angle. Very bubbly.

PH: 16 T: 1

106 HYEF 94 7000

Lower body and base fragment, bowl/jug. Pale green. Thin-walled convex lower body, tubular pushed-in base-ring with concave base. Central pontil scar. Base edge lightly worn.

PH: 9 BD: 50 T: 0.2-3.5

107 HYEF 94 8141

Body fragment, jug. Pale greenish/colourless. Convex side. Two horizontal unmarvered trails. Thin-walled. Very bubbly. Black specks and impurities.

Dims.: 33.5 x 22 T: 0.2-1.5

Also 1 convex body fragment, jug. Colourless.

107a HYEF 94 8153 BS/R/1820.1 - one horizontal unmarvered trail. Thin-walled.  
Very bubbly.

108 HYEF 94 10877

Two neck and shoulder fragments, ?convex flask. Colourless with green tinge. Wide cylindrical neck, curving shoulder, convex side. Two close-set narrow abraded bands on neck and abraded band on shoulder. Many strain cracks on neck. Iridescent surfaces.

PH (neck fragment): 24 Internal ND: 40 T: 1-1.5

109 HYEF 94 10891

Seven neck and body fragments, ?indented convex flask. Colourless with green tinge. Cylindrical neck expanding out to missing rim. Convex side, part of one deep oval indent. Seven close-set narrow horizontal abraded bands on body and narrow abraded band on neck. Small bubbles. Strain cracks. Iridescent surfaces.

Dims. (largest fragment): 33.5 x 42 ND: 40 T:1

110 HYEF 94 10315

Two joining body fragments, flask. Greenish/colourless. Convex side. Five close-set broad bands of horizontal abrasion. Very bubbly. Lightly scratched.

Dims.: 43 x 48 T: 0.8-1

111 HYEF 94 12026

Two body fragments, cylindrical bottle. Blue/green. Straight side. Parts of six close-set irregular horizontal mould-blown ribs. Very bubbly.

Dims. (largest fragment) :18.5 x 25.5 T: 0.5-1

112 HYEF 95 23047 BS/R/1674

Body fragment, cylindrical bottle. Greenish colourless. Straight side. Parts of two mould-blown horizontal ribs.

Dims.: 7.5 x 7 T: 0.2

Also 1 small body fragment, cylindrical bottle. Greenish colourless.

112a ?HYEF 94 5709 BS/R/939.1

113 HYEF 94 4142

Two body fragments, cylindrical bottle. Blue/green. Straight side. One broad band and two close-set narrow bands of horizontal abrasion. Some very large bubbles.

Light iridescence.

Dims.: (largest fragment): 36.5 x 46 T: 0.7-4

Also 1 greenish colourless indented body fragment:-

113b HYEF 94 5744

Also 10 straight-sided pale green body fragments:

113c HYEF 94 15290 - 3 fragments, 2 joining. Small and large bubbles.

113d HYEF 94 16081

113e HYEF 94 18738

113f HYEF 94 5307 -expanding out to missing rim.

113g HYEF 94 11000

113h HYEF 94 4000

113i HYEF 94 5401 - very bubbly.

113j HYEF 94 12043

Also 6 straight-sided greenish colourless body fragments:-

- 113k HYEF 94 8638
- 113l HYEF 94 6339 FS/R/2111
- 113m HYEF 94 5148
- 113n HYEF 94 7576
- 113o HYEF 94 15086 BS/R/449
- 113p HYEF 94 7427 BS/R/1223

Also 6 convex greenish colourless body fragments:-

- 113q HYEF 94 10496
- 113r HYEF 94 5335 BS/R/905.1
- 113s HYEF 94 10000
- 113t HYEF 94 14540 BS/R/756
- 113u HYEF 94 15056 - Colourless with green tinge. Slightly convex. Black impurities.
- 113v HYEF 94 6008

Also 2 blue/green straight-sided body fragments:-

- 113w HYEF 94 4994 - two horizontal abraded bands. One very large bubble.
- 113x HYEF 94 5601 - pale blue/green. Very bubbly.

Also 1 convex blue/green body fragment:

- 113y HYEF 94 5214 - band of horizontal abrasion

## **Bottles**

### *Blue/green bottles*

Rims, necks, shoulders and handles

114 HYEF 94 6000

Rim and neck fragment, bottle. Slightly diagonal rim, edge bent out, up, in and flattened. Cylindrical neck. Surfaces scratched.

PH: 14.5 RD: 50 Int. ND: c.18 T: 4-5.5

115 HYEF 94 11000

Rim and neck fragment, bottle. Horizontal rim, edge bent out, up, in and flattened. Cylindrical neck. Rim edge lightly worn. Strain cracks.

PH: 11.5 RD: 52 T: 5

116 HYEF 94 5162

Rim and neck fragment, bottle. Diagonal rim, edge missing. Cylindrical neck. Elongated bubbles in neck. Horizontal scratches on neck.

PH: 24.5 Internal ND: c.25 T: 4-5

Also 4 cylindrical neck fragments:-

- 116a HYEF 94 5602 - expanding out to missing rim
- 116b HYEF 94 10039 - heavily scratched, many strain cracks
- 116c HYEF 94 4392 BS/R/632.1 CF - expanding out to missing rim
- 116d HYEF 94 5723

Also 7 neck and shoulder fragments:-

- 116e HYEF 94 5214 - 3 fragments. Internal ND: 30
- 116f HYEF 94 A1 13449 - bottle/flask. Internal ND: 35

116g HYEF 94 A1 6121 - heavily scratched.  
116h HYEF 94 11000  
116i HYEF 94 4015

Also 6 shoulder fragments:-

116j HYEF 94 13691  
116k HYEF 94 13600  
116l HYEF 94 4000  
116m HYEF 95 24015  
116n HYEF 94 10296 - dark blue/green  
116o HYEF 9392

117 HYEF 94 9895

Handle and shoulder fragment, rectangular bottle. Angular ribbon handle with three regular ribs pulled down onto shoulder with rounded ends. Curving shoulder. Strain cracks. Many bubbles. elongated in handle.  
PH: 92.5 W: 51-73 T: 2

118 HYEF 94 7000

Handle and shoulder fragment, bottle. Angular ribbon handle, at least 12 ribs pulled down onto shoulder in to prominent points. Curving shoulder.  
Dims.: 49 x 28 T: 2

119 HYEF 94 10039

Handle and shoulder fragment, bottle. Plain angular ribbon handle with simple lower attachment. Curving shoulder. Tooling mark on underside. Many elongated bubbles in handle. Surfaces worn. Red inclusions.  
L: 40 W: 25.5-30 T: 2

120 HYEF 94 9000

Handle fragment, bottle. Upper section of angular ribbon handle with folded attachment and return trail. Tooling marks on underside. Elongated bubbles.  
Dims.: 36.5 x 35

121 HYEF 94 16230

Handle fragment, bottle. Upper section of angular ribbon handle with simple folded attachment.. Trace of cylindrical neck. Tooling marks on underside. Elongated bubbles. Strain cracks. All surfaces heavily worn.  
Dims.: 39 x 32.5

Also 4 handle fragments:-

121a HYEF 95 21885 - upper section of angular ribbon handle, trace of one rib. Strain cracks.  
121b HYEF 94 6452 - reeded ribbon handle  
121c HYEF 94 13445 - reeded ribbon handle  
121d HYEF 94 1922 8991 - reeded ribbon handle

#### *Cylindrical bottles*

Also 5 shoulder and upper body fragments, cylindrical bottles:-

121e HYEF 94 5603 - heavy vertical scratching  
121f HYEF 94 14540 - heavily scratched  
121g ?HYEF 94 8737 - ?small bottle. Very bubbly.  
121h ?HYEF 94 5601 - trace of neck. Very bubbly, poor quality glass. Uneven surfaces.

121i ?HYEF 94 7000

Also 12 body fragments:-

- 121j HYEF 94 5601 - heavy vertical scratching
- 121k HYEF 94 5436 - 2 fragments, vertical scratching
- 121l HYEF 94 18191 - heavy vertical scratching
- 121m HYEF 94 11000 - heavy vertical scratching
- 121n HYEF 94 8802 - very bubbly
- 121o HYEF 94 6730 - 2 joining fragments, vertical scratching
- 121p HYEF 94 7000
- 121q HYEF 94 8737
- 121r HYEF 94 4692 BS/R/657 - scratched surfaces
- 121s HYEF 94 9305

122 HYEF 94 11311

Lower body and base fragment, cylindrical bottle. Slightly convex lower body tapering in to concave base. Edge of base heavily worn.

PH: 12 T: 3.5-5

123 HYEF 94 7000

Lower body and base fragment, ?cylindrical bottle. Convex lower body tapering in to concave base. Base edge lightly worn. Bubbly. Yellow/green impurity.

Dims.: 45 x 16.5 T: 3.5-5.5

#### *Hexagonal bottles*

Also 1 body fragment, hexagonal bottle:-

123a HYEF 94 10248 - very bubbly

#### *Rectangular bottles*

124 HYEF 94 9895

Handle and shoulder fragment, rectangular bottle. Angular ribbon handle with three regular ribs pulled down onto shoulder with rounded ends. Curving shoulder. Strain cracks. Many bubbles. elongated in handle.

PH: 92.5 W: 51-73 T: 2

#### *Square bottles*

125 HYEF 94 9510

Nine joining rim, neck, handle, shoulder and upper body fragments, small square bottle. Rim folded out, up, in and flattened unevenly. Cylindrical neck, expanding out slightly. Angular ribbon handle, folded upper attachment joined to neck and underside of rim, simple lower attachment with at least 12 shallow ribs combed onto shoulder. Trace of one straight side. Yellow/brown streaks in neck and rim.

Elongated bubbles in neck and handle. Light wear on rim edge.

PH: 43 RD: 31.5 Internal ND: 15 Handle W: 32.5-37.5 T: 1.5-2.5

126 HYEF 94 15869

Lower body and base fragment, small square bottle. Parts of three straight sides and trace of fourth. Concave base, raised design; 4 semi-circular mouldings in centre of each base edge in low relief, small circular pellets in two surviving corners and small circular pellet in centre. Pontil scar. Very bubbly. Base edge lightly worn.

PH: 17.5 Body W: 46 T: 1-3

127 HYEF 95 21514

Two joining lower body and base fragments, small square bottle. Part of one straight side. Slightly concave base, raised design; concentric circle with faintly moulded circle off-centre within larger circle. Small circular pellet in one corner of base. Pontil scar in centre. Strain cracks. Many small bubbles. Internal surface lightly scratched. PH: 8 Diam. of outer circle: 37 W. of side: exceeds 45 T: 1-2

128 HYEF 94 20186

Lower body and base fragment, small square bottle. Part of one straight side. Concave base, raised design; one concentric circle with poorly-moulded 'X' at centre and two right-angled mouldings in the corners. Central pontil scar. Edge of mouldings lightly worn.

PH: 37 W. of side: exceeds 50 D. of circle: 44 T: 2-4.5

129 HYEF 94 6000

Lower body and base fragment, small square bottle. Parts of two straight sides. Flat base, raised design; part of one concentric circle. Base pitted. Outside surfaces scratched. Base edge and moulding worn. Small bubbles.

PH: 57 W. of side: exceeds 58 T: 3.5-5.5

130 HYEF 94 4692 & 4925 joining 4954

Three lower body and base fragments, two joining, square/rectangular bottle. Parts of two straight sides. Flat base, raised design; parts of two triangular corner mouldings and small concentric circle in centre. Base pitted. Pontil scar in centre. Edges of base worn. Strain cracks. Heavy iridescence. Small bubbles.

PH: 10.5 T: 3.5-5.5

#### *Square/rectangular bottles*

Also 19 body fragments, square/rectangular bottles, parts of two sides:-

130a HYEF 94 4794 - 3 fragments, 2 joining. Scratched.

130b HYEF 94 4798

130c HYEF 94 A1 10291

130d HYEF 94 15193 - heavily worn

130e HYEF 94 6316

130f HYEF 94 12000

130g HYEF 95 23105 - 3 fragments, 2 joining, pale blue/green

130h HYEF 94 6609

130i HYEF 94 6909 - scratch marks

130j HYEF 94 15355

130k HYEF 94 15151 470

130l HYEF 94 6048 - thin-walled

130m HYEF 94 7290 - heavily scratched

130n HYEF 94 10104

130o HYEF 94 10262 - very bubbly

131 HYEF 94 4081

Lower body and base fragment, square/rectangular bottle. Parts of two straight sides and edge of base. Heavily scratched. Very heavy iridescence.

PH: 40 T: 1.5-6

#### *Prismatic bottles*

132 HYEF 94 12000



Handle and upper body fragment, small prismatic bottle. Lower section of angular ribbon handle with 11 slightly curving ribs pulled onto shoulder. Trace of one straight side. Elongated bubbles in handle.

PH: 24 Max. W: 36 T: 2-2.5

Also 8 shoulder and upper body fragments, prismatic bottles

- 132a HYEF 94 6115
- 132b HYEF 94 12057
- 132c HYEF 94 4000 - trace of neck
- 132d HYEF 94 10362 - 2 joining fragments. Heavily scratched.
- 132e HYEF 94 23105 - heavily scratched
- 132f HYEF 94 6025 - thin-walled, very bubbly.
- 132g HYEF 94 6552

Also 60 body fragments, prismatic bottles:-

- 132h HYEF 94 6742 - thick-walled
- 132i HYEF 94 12234
- 132j HYEF 94 16051 - heavily scratched
- 132k HYEF 94 15614 - edges lightly ground
- 132l HYEF 94 11000 - scratched surfaces, strain cracks
- 132m HYEF 94 4000 - purple streaks, vertical scratch marks
- 132n HYEF 94 20000
- 132o HYEF 94 10011 - vertical scratch marks
- 132p HYEF 94 6227 - light vertical scratch marks
- 132q HYEF 94 10073
- 132r HYEF 94 13238 - scratched surfaces
- 132s HYEF 94 5601
- 132t HYEF 94 A1 9743 - 2 fragments
- 132u HYEF 94 6148 - very bubbly
- 132v HYEF 94 7098 - bubbly
- 132w HYEF 94 8000
- 132x HYEF 94 6000 - 2 joining fragments
- 132y HYEF 94 10514
- 132z HYEF 94 11000 - 3 fragments
- 132aa HYEF 94 11348
- 132ab HYEF 94 16161
- 132ac HYEF 94 10883
- 132ad HYEF 94 5723
- 132ae HYEF 94 12147 - strain cracks
- 132af HYEF 94 7152
- 132ag HYEF 94 7057
- 132ah HYEF 94 7000 - 2 fragments. Bubbly, strain cracks
- 132ai HYEF 94 18200
- 132aj HYEF 94 5630 - heavy vertical scratching
- 132ak HYEF 94 14204
- 132al HYEF 94 5800 - very bubbly
- 132am HYEF 94 12080 - 3 fragments
- 132an HYEF 94 10640 - dark blue/green
- 132ao HYEF 94 5148 - heavily scratched
- 132ap HYEF 94 6515
- 132aq HYEF 94 7597 1225
- 132ar HYEF 94 5621
- 132as HYEF 94 13403 - very bubbly, heavily scratched
- 132at HYEF 94 10333 - heavily scratched
- 132au HYEF 94 13445 - 2 fragments. Heavy vertical scratching

132av HYEF 94 12019  
132aw HYEF 94 6316  
132ax HYEF 94 7082 - very bubbly  
132ay HYEF 94 5159  
132az HYEF 94 14093 - very bubbly  
132ba HYEF 94 10667  
132bb HYEF 94 6000 - pale blue/green, very bubbly.  
132bc HYEF 94 13568 - vertical scratch marks  
132bd HYEF 94 7596 - light vertical scratching  
132be HYEF 94 10000 - very strain cracked  
132bf HYEF 94 15151 BS/R/470 - small fragment  
132bg ?HYEF 94 10528 - very pale blue/green

133 HYEF 94 6238  
Lower body and base fragment, prismatic bottle. One straight side, trace of second. Flat base, shallow raised design; right-angled narrow bar parallel with the base edge. Base edge heavily worn and base heavily scratched. Many bubbles. Black streaky impurities.  
PH: 38 T: 2.5-6

134 HYEF 94 5907  
Lower body and base fragment, prismatic bottle. Pale blue/green. One straight side. Flat base, raised design; part of concentric circle close to base edge and further irregular moulding within circle. Indent in lower body. Very bubbly. Black and green streaks and impurities. Scratched surfaces.  
PH: 20 T: 1.5-3

135 HYEF 94 7458  
Lower body and base fragment, prismatic bottle. One straight side. Flat base, raised design; part of concentric circle. Raised design heavily worn. Very bubbly.  
PH: 26 T: 5-6.5

136 HYEF 94 7000  
Lower body and base fragment, prismatic bottle. Part of one straight side. Flat base, raised design; part of slightly curving feature running parallel to base edge. Base slightly pitted.  
PH: 19 T: 5.5

Also 3 lower body and base fragments, prismatic bottle:-

136a HYEF 94 8163 - pitted base  
136b HYEF 94 6281 - 2 joining fragments. Scratched surfaces.

137 HYEF 94 7447  
Base fragment, prismatic bottle. Flat base, raised design; two concentric circles with central circular pellet and further circular pellet outside concentric circles. Strain cracks. Medium-sized bubbles. Edge of moulding lightly worn.  
Dims.: 32 x 22.5 D. of outside circle: 60

138 HYEF 95 21500  
Base fragment, prismatic bottle. Flat base, raised design; one concentric circle. Base slightly pitted. Edge of moulding lightly worn.  
Dims.: 29 x 14.5

139 HYEF 95 24243

Base fragment, bottle. Concave base, thickened towards centre. Circular raised moulding in centre and trace of further raised moulding. Many small bubbles. Lightly scratched.

PH: 10 T: 3.5-8

### **Window Glass**

#### *Cast window fragments*

Also 49 fragments cast blue/green fragments:-

139a HYEF 94 4000 - 4 fragments, 1 edge fragment. Tooling marks.

139b HYEF 94 12080 - 2 joining edge fragments

139c HYEF 94 6382 - edge fragment

139d HYEF 94 15951 - edge fragment

139e HYEF 94 12057 - edge fragment

139f HYEF 94 5393 - edge fragment. Mortar attached

139g HYEF 94 6319 - edge fragment

139h HYEF 94 7126 - edge fragment

139i HYEF 94 8000 - 2 fragments, one edge.

139j HYEF 94 12041 - edge fragment

139k HYEF 94 12000

139l HYEF 94 12055 - 3 fragments

139m HYEF 94 15184 - 2 fragments

139n HYEF 93 51 211

139o HYEF 94 9305

139p HYEF 94 9549 - 4 fragments, 3 joining

139q HYEF 94 6053 - large inclusions

139r HYEF 94 6314

139s HYEF 94 6048

139t HYEF 94 7086

139u HYEF 94 5864

139v HYEF 94 16081 - 2 fragments

139w HYEF 94 12263

139x HYEF 94 12234 - tooling marks, heavily scratched

139y HYEF 94 9039 - 2 fragments

139z HYEF 94 12000

139aa HYEF 94 12019 - 2 fragments

139ab HYEF 94 5383

139ac HYEF 94 12045

139ad HYEF 94 16017 - pale blue/green

139ae HYEF 94 10364

139af HYEF 94 12041

139ag HYEF 94 5773 - pale blue/green

139ah HYEF 94 10330 - pale blue/green

139ai HYEF 94 12026

Also 12 cast pale green fragments:-

139aj HYEF 94 12026 - 3 fragments, 2 edge

139ak HYEF 94 12045 - corner fragment

139al HYEF 94 11000 - edge fragment

139am HYEF 94 12041 - 2 fragments, 1 edge

139an HYEF 94 12000 - edge fragment

139ao HYEF 93 3735 178

139ap HYEF 94 21698

139aq HYEF 94 12054

139ar HYEF 94 12043

Also 27 cast greenish/colourless fragments:-

139as HYEF 94 6382 - 3 joining fragments, 2 edge. Purple streak.

139at HYEF 94 12080 - 2 edge fragments

139au HYEF 94 12054 - 4 fragments, 1 edge

139av HYEF 94 12041 - 4 fragments, 1 edge

139aw HYEF 94 12000

139ax HYEF 95 24243

139ay HYEF 94 15230

139az HYEF 94 5237 BS/R/911 - 2 fragments

139ba HYEF 94 12019 - 7 fragments

139bb HYEF 94 12080

139bc HYEF 94 8153

Also 5 cast colourless fragments:-

139bd HYEF 94 5409 - colourless with brown tinge

139be HYEF 94 12054 - colourless with brown tinge

139bf HYEF 94 12000

139bg HYEF 94 10300

139bh HYEF 94 12041 - colourless with brownish tinge

#### *Blown window fragments*

Also 2 blown blue/green fragments:-

139bi HYEF 94 12040

139bj HYEF 94 6008

Also 1 blown greenish colourless fragment:-

139bk HYEF 94 12147

#### **Melted fragments**

Also 12 blue/green heat distorted fragments:-

139bl HYEF 94 11000

139bm HYEF 95 24243 - 3 fragments. Stone and fired clay adhering.

139bn HYEF 94 12214 FS/R/2424 CF - 4 fragments, 3 joining. Possibly associated with manufacture?

139bo HYEF 94 11000

139bp HYEF 94 5162

139bq HYEF 94 7086 - 2 joining fragments, heavily strain cracked

Also 4 pale green heat distorted fragments:-

139br HYEF 95 24243 - 3 fragments

139bs HYEF 94 6025

#### **Chips**

Also 1 dark blue chip:-

139bt HYEF 94 4167 BS/R/609.1 CF

Also 1 yellow/brown chip:-

139bu HYEF 94 6339 FS/R/2111

Also 3 yellow/green chips:-

- 139bv HYEF 94 15046 BS/ R/517 CF
- 139bw HYEF 94 6339 FS/R/211 - pale yellow/green
- 139bx HYEF 94 10891 BS/R/1612

Also 1 pale green chip:-

- 139by HYEF 94 4823 BS/R/675 CF

Also 17+ colourless chips:-

- 139bz HYEF 94 8737 - many small chips
- 139ca HYEF 94 14045 BS/R/718
- 139cb HYEF 95 23105 BS/R/1673 CF
- 139cc HYEF 94 14893 BS/R/788
- 139cd HYEF 94 15046 BS/R/517 CF
- 139ce HYEF 94 17060 BS/R/2437 CF - colourless with blue tinge
- 139cf HYEF 94 14743 BS/R/782 - colourless with blue tinge
- 139cg HYEF 94 5683 BS/R/934 - pale blue/green
- 139ch HYEF 94 15983 BS/R/1662 CF
- 139ci HYEF 93 2386 BS/R/152
- 139cj HYEF 93 405 BS/R/7
- 139ck HYEF 94 8094 BS/R/1812
- 139cl HYEF 94 9271 BS/R/379
- 139cm HYEF 94 4024 BS/R/600.1 CF
- 139cn HYEF 94 5472 BS/R/925.1 CF
- 139co HYEF 96 6339 FS/R/211
- 139cp HYEF 94 714 14022

Also 5 greenish/colourless chips:-

- 139cq HYEF 94 10528 - 2 chips
- 139cr HYEF 94 13697 BS/R/1041 CF
- 139cs HYEF 94 5207
- 139ct HYEF 94 5656 BS/R/951.1

Also 17 blue/green chips:-

- 139cu HYEF 94 20451 BS/R/2501 CF
- 139cv HYEF 95 22078 BS/R/1114 CF
- 139cw HYEF 94 7029 BS/R/1202.1
- 139cx HYEF 94 8076 BS/R/1822.1 CF
- 139cy HYEF 94 4761 BS/R/667.3
- 139cz HYEF 94 4842 BS/R/681 CP - pale blue/green
- 139da HYEF 94 10255
- 139db HYEF 94 7086 - 3 chips
- 139dc HYEF 94 15869 BS/R/520 CF
- 139dd HYEF 94 5163 BS/R/912.1 CF
- 139de HYEF 94 10649 FS/R/1542 - 3 chips, pale blue/green
- 139df HYEF 94 10891 BS/R/1612 CF
- 139dg HYEF 94 7190 BS/R/1212 - pale blue/green

## **Glass Objects**

### *Annular beads*

140 HYEF 94 8141 1380

Fragment, c. 50% annular bead. Purple with irregular swirling opaque white trails. Perforation slightly irregular and lightly chipped.

H: 8.7-9.7 D: 25 Perf. D: 11

141 HYEF 98468 BS/R/1021 CF 7371

Complete annular bead. Mid-blue. Irregular circumference. Bubbly.

H: 2-4.5 D: 13 Perf. D: 8

142 HYEF 94 10625 5237

Complete small annular bead. Mid-blue with black specks. Irregular circumference.

H: 2-4 D: 9.5-10.5 Perf. D: 6

143 HYEF 94 10513 5238

Fragment, c. 50% annular bead. Dark blue. Irregular section.

H: 3-4.5 D: 10 Perf. D: 6

#### *Globular beads*

144 HYEF 94 14516 6220

Complete small globular bead. Dark blue.

H:4.5 D: 4 Perf. D: 1.5

145 HYEF 94 5603 5157

Complete small globular bead. Dark green. Light iridescence.

H: 3.5 D: 3.5 Perf. D: 0.5

146 HYEF 94 14058 BS/R/722 6567

Complete small globular bead. Green.

H: 1 D: 2.5 Perf. D: 0.5

147 HYEF 94 10381 BS/R/1532 CF 6839

Two joining fragments, small globular bead. Blue/green.

H: 4 D: 4.5 Perf. D: 0.12

148 HYEF 94 9491 3295

Two joining fragments, ?small globular bead. Turquoise with opaque yellow interior.

D: 3.5 L: 4.5 Perf. D: 0.5

#### *Segmented beads*

149 HYEF 94 13317 7369 BS/R/1047

Fragment, ?segmented bead. Blue/green. Part of one segment.

L: 4 D: 3.5 Perf. D: 0.7

150 HYEF 94 14525 BS/R/7502 CF 7370

Complete long wound cylindrical bead. Mid-blue. Tapering at one end. Circular section. Black specks.

L: 16.9 D: 2.5-3 Perf. D: 0.5-1.2

151 HYEF 94 5430 BS/R/924.1

Fragment, wound and twisted bead. Dark appearing brown.

L: 5.7 D: 1.3 Perf. D: 0.2

#### *Long cylindrical beads*

152 HYEF 94 5148 560

Complete long cylindrical bead. Dark blue. Faint horizontal striations. Ends at perforations chipped.

L: 13 D: 4.1 Perf. D: 0.5

153 HYEF 94 A2 11413 6995

Complete long cylindrical bead. Dark blue/green. Horizontal striations.

L: 15 H: 4.5 Perf. D: 0.8

154 HYEF 94 17000 6746

Complete long cylindrical bead. Dark green. Horizontal striations. Slightly rounded ends.

L: 5.5 D: 3 Perf. D: 0.7

155 HYEF 94 4692 BS/R/676 6570

Complete long cylindrical bead. Pale blue/green. Slightly flattened at one end. Horizontal striations.

L: 8.5 D: 2.5-3 Perf. D: 0.5

156 HYEF 94 11478 BS/R/1647 8415 CF

Fragment, long cylindrical bead. Green. Horizontal striations.

D: c. 3 Perf. D; c. 0.7

#### *Short cylindrical beads*

157 HYEF 94 10237 2228

Complete short cylindrical bead. Dark blue. Ends flattened and worn. Surfaces scratched.

H: 3 D: 7.5 Perf. D: 3

158 HYEF 94 20451 8209

Complete small cylindrical bead. Dark blue.

H: 1 D: 2 Perf. D: 0.5

159 HYEF 94 5148 568

Complete short cylindrical bead. Opaque mid-green. Perforation off-centre.

H: 2-3.1 D: 5.5 Perf. D: 1.5-2

160 HYEF 94 5383 1920

Complete short cylindrical bead. Opaque dark green. One end chipped.

H: 3.5 D: 5.7 Perf. D: 1.3-1.5

161 HYEF 94 10396 4031

Complete short cylindrical bead. Opaque mid-green.

H: 2.3 D: 5.4 Perf. D: 1

162 HYEF 94 12205 7368 FS/R/2422

Complete short cylindrical bead. Opaque mid-green.

H: 2.5 D: 4.7 Perf. D: 1.1-1.3

163 HYEF 94 5000 7277

Complete short cylindrical bead. Opaque light green. Slightly worn at one perforation.

H: 3-3.5 D: 5 Perf. D: 1.5-2

164 HYEF 94 14558 6241

Complete short cylindrical bead. Opaque green. End at one perforation worn.

H: 2.5-4 D: 5.5 Perf. D: 1.5-2

165 H YEF 94 4000 949

Complete short cylindrical bead. Opaque green.

H: 3 D: 5.5 Perf. D: 2-3

166 H YEF 94 17000 6945

Complete short cylindrical bead. Semi-opaque mid-green. Slightly truncated.

H: 3 D: 5.5 Perf. D: 2

167 H YEF 94 4819 BS/R/679 6569 CF

Complete short cylindrical bead. Opaque mid-green.

H: 2.5-3 D: 4-4.5 Perf. D: 1.5-2

168 H YEF 94 8076 BS/R/1822.1 CF

Complete short cylindrical bead. Opaque green.

H: 1 D: 3 Perf. D: 0.3

169 H YEF 94 5214 3880 BS/R/914.1

Complete short cylindrical bead. Opaque green.

H: 1 D: 3.4 Perf. D: 0.2

170 H YEF 94 20031 7877

Fragment, c.50% short cylindrical bead. Green.

H: 2 D: 3 Perf. D: 0.4

171 H YEF 94 10891 7367

Complete short cylindrical bead. ?Blue/green. Heavy iridescence.

H: 1.5 D: 2.5 Perf. D: 0.12

*Square-sectioned beads*

172 H YEF 94 15059 4942

Complete square-sectioned bead. Semi-opaque mid-blue.

H: 2.5 L: 3.3 Perf. D: 0.6-1

173 H YEF 94 10001 1459

Complete square-sectioned bead. Opaque dark blue. Tapering slightly at one end.

One perforation worn.

H: 2.5-3.5 L: 4 Perf. D: 0.5-1.5

174 H YEF 95 24210 7935

Almost complete, square-sectioned bead. Opaque mid-blue. Worn at both ends.

H: 2.5 L: 5 Perf. D: 1

175 H YEF 94 20334 7518

Complete square-sectioned bead. Opaque mid-blue. Slightly irregular section. Worn at one perforation.

H: 3 L: 4 Perf. D: 1.5

176 H YEF 94 4392 BS/R/632.1 2870

Fragment, c. 50% square-sectioned bead. Dark blue.

H: 3 L: 7

177 H YEF 94 12041 4770



Fragment, square-sectioned bead. Opaque mid-blue.  
L: 5 H: 2.5 Perf. D: 0.5

Also 2 fragments, square-sectioned beads:-  
177a HYEF 94 16182 7181 - semi-opaque dark blue  
177b HYEF 94 14093 8412 BS/R/730 - opaque mid-blue

178 HYEF 94 5628 5107  
Complete square-sectioned bead. Dark green. Worn at both perforations.  
H: 4 L: 6 Perf. D.: 0.5-1

179 HYEF 94 12033 4766  
Complete square-sectioned bead. Blue/green. Irregular; tapering at one end. Some black specks.  
L: 14.5 H: 4.5-6.5 Perf. D: 1.5-2.5

*Polygonal beads*

180 HYEF 94 12056 4768  
Complete hexagonal-sectioned bead. Dark green. One perforation serrated.  
L: 10.7 H: 5.5 Perf. D: 1.5

181 HYEF 94 7000 514  
Complete hexagonal-sectioned bead. Dark green. Two sides flattened.  
L: 5.2 H: 2.8-4 Perf. D: 0.7

*Conical beads*

182 HYEF 94 10396 BS/R/1534 CF 6577  
Complete small conical bead. Translucent mid-blue.  
L: 4 H: 3 W: 2.5-4 Perf. D: 0.5-0.8

*Bi-conical beads*

183 HYEF 94 4534 6568  
Complete short bi-conical bead. Translucent mid-blue.  
H: 1.5 D: 4 Perf. D: 0.4

184 HYEF 94 14591 7875  
Complete short bi-conical bead. Dark green.  
H: 2 D: 5 Perf. D: 1-1.2

185 HYEF 94 5000 6463  
Complete short bi-conical bead. Dark green. Slightly chipped. Light iridescence.  
H: 1.5 D: 4.3 Perf. D: 0.5

186 HYEF 95 21974 7740  
Complete short bi-conical bead. Opaque green.  
H: 1.5 D: 3.5 Perf. D: 0.2-0.6

187 HYEF 94 16230 7192  
Complete small bi-conical bead. Opaque green.  
H: 1 D: 3.3 Perf. D: 0.7

188 HYEF 94 10001 1458

Almost complete long bi-conical bead. Dark blue. One end chipped.  
L: 10.7 D: 1.8-3.8 Perf. D: 0.5

*Miscellaneous small beads*

189 HYEF 94 10165 2207  
Complete oval bead with facets. Translucent purple. Heavily scratched surfaces.  
H: 5 L: 16 Perf. D: 0.5

190 HYEF 95 21613 7679  
Complete diamond-sectioned bead. Opaque mid-blue. White specks and streaks.  
H: 6 W: 3.5 L: 5 Perf. D: 0.5-1

*Faience melon beads*

191 HYEF 94 7000 504  
Complete faience melon bead. Bright blue. Seventeen slightly curving vertical grooves. Small area chipped before glazing. Slightly worn at perforations and light wear around centre of ribs.  
H: 15-17 D: 19.5 Perf. D: 9

*Finger Rings*

192 HYEF 94 5228 1297  
Fragment, finger ring. Dark yellow/green appearing black. D-shaped section. Thickened in part of circumference.  
PH: 21 Internal D: 15

*Hair-pins*

193 HYEF 94 11000  
Fragment, hair-pin. Blue/green. Plain globular head. Plain shaft with circular section. Lightly worn.  
L: 16.5 D (head): 9.5 D (shank): 2.5

194 HYEF 94 12000  
Fragment, hair-pin. Blue/green. Plain globular head, uneven and pitted surfaces. Bubbly.  
L: 14 D (head): 11-12 D (shank): 4.5

*Counters*

195 HYEF 94 8737 6828  
Complete, large plano-convex counter. Purple, appearing black. Upper surface scratched. Lower surface worn very smooth and slightly pitted.  
H: 6.4 D: 22.5

196 HYEF 94 5929 3555  
Fragment, c.45% large plano-convex counter. Dark appearing black. Upper surface heavily scratched and pitted. Lower surface worn smooth and scratched.  
PH: 6 D: 25

*Tesserae*

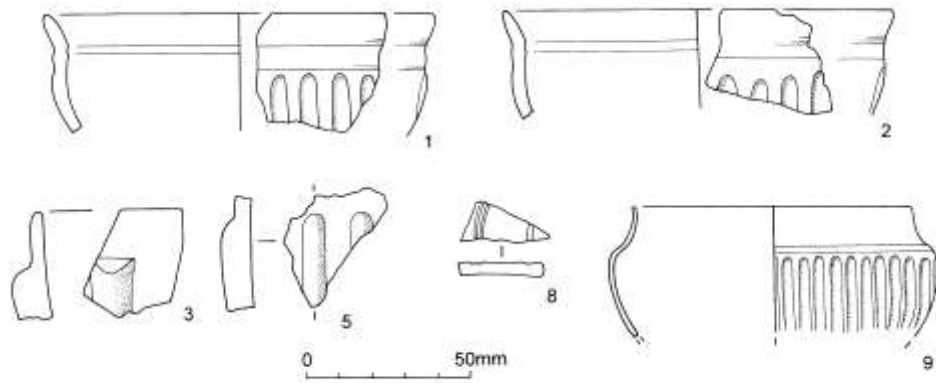
197 HYEF 94 20556 7526

Tessera, regular rectangular shape. Opaque blue.  
Dims.: 9 x 8.5 x 6.5

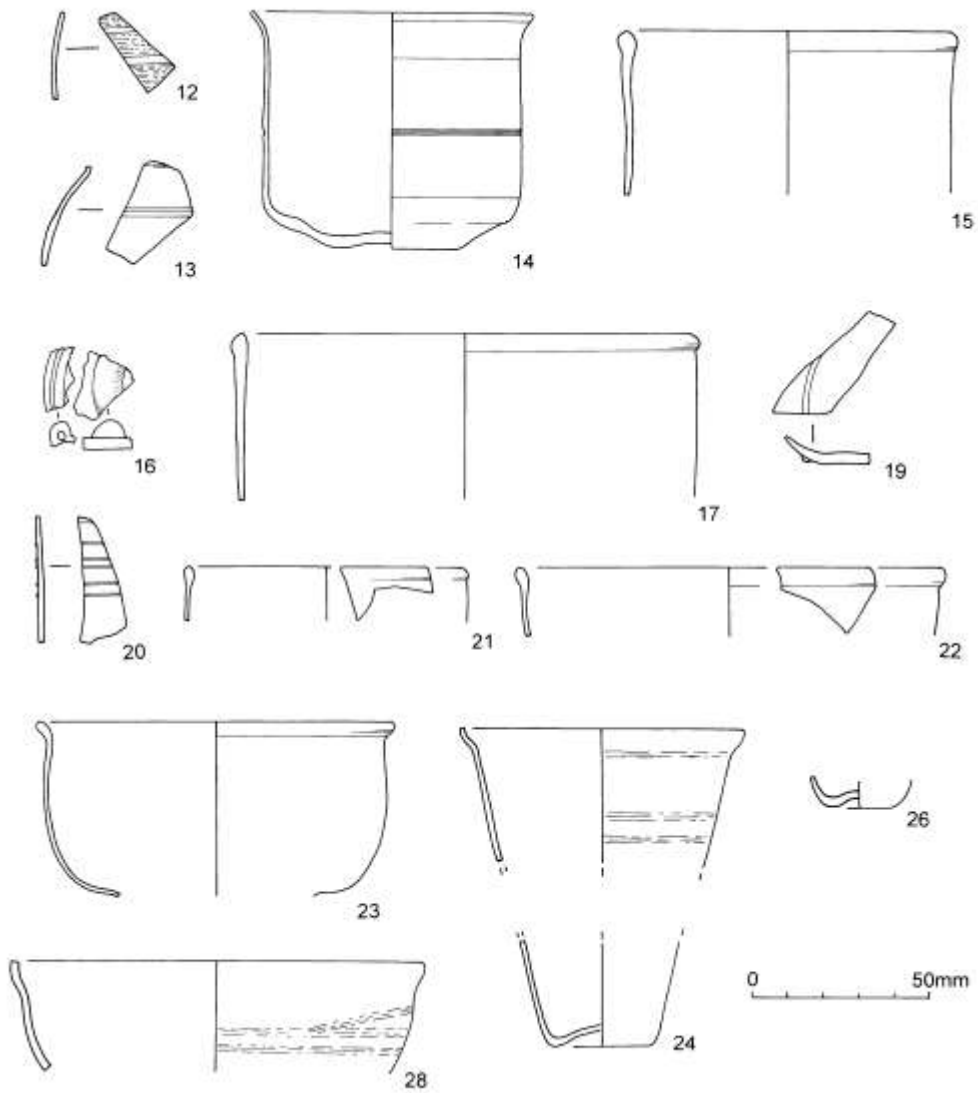
198 HYEF 94 12000  
Triangular chip, ?tessera. Opaque blue.  
Dims.: 9 x 6.2 x 4

***Post-Roman beads***

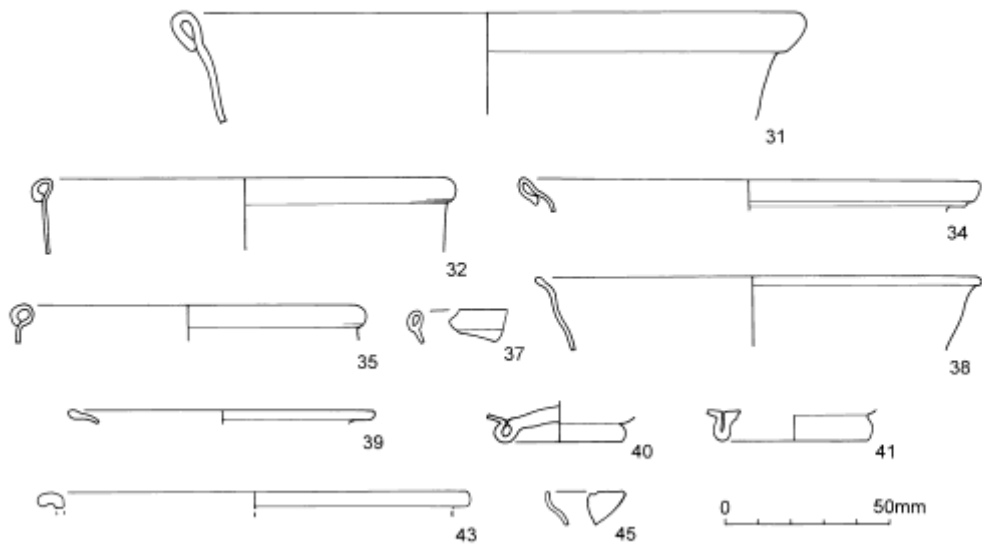
199 HYEF 94 17000 6811  
Fragment, c. 60% annular bead. Opaque yellow and red. Three circular applied blobs running around the centre of the circumference of the bead.  
H: 6.8 D: 11 Perf. D: 3



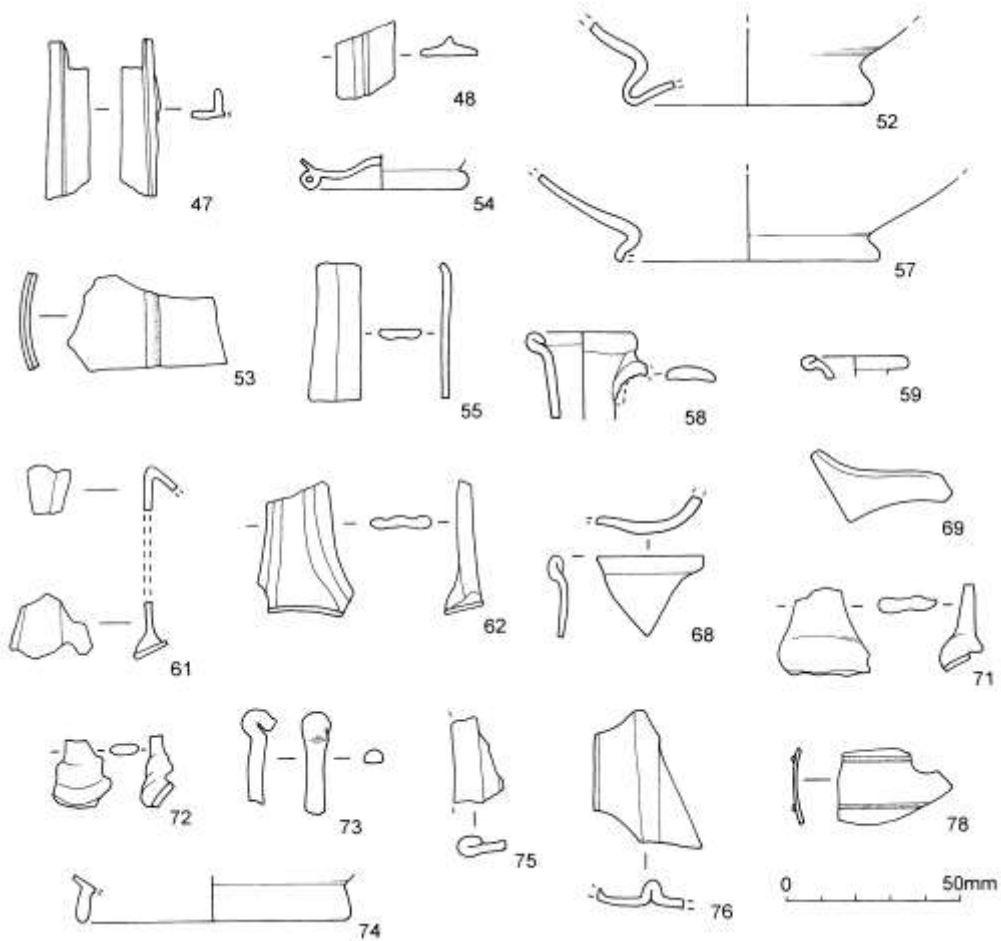
419 Roman glass, 1-9



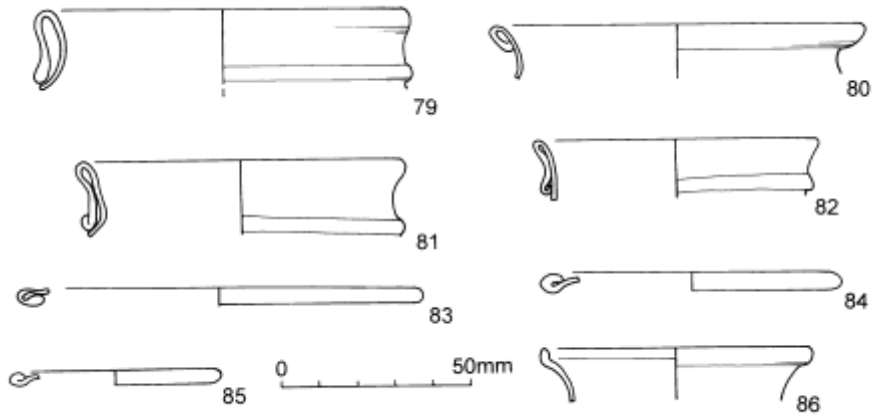
420 Roman glass, 12-28



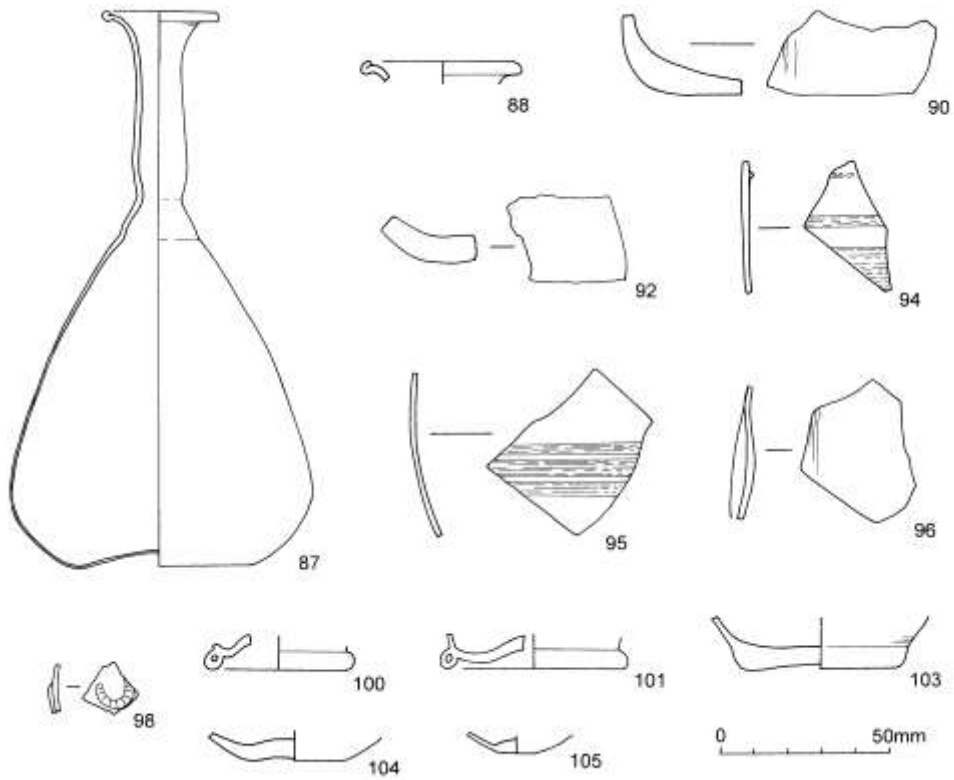
421 Roman glass, 31-45



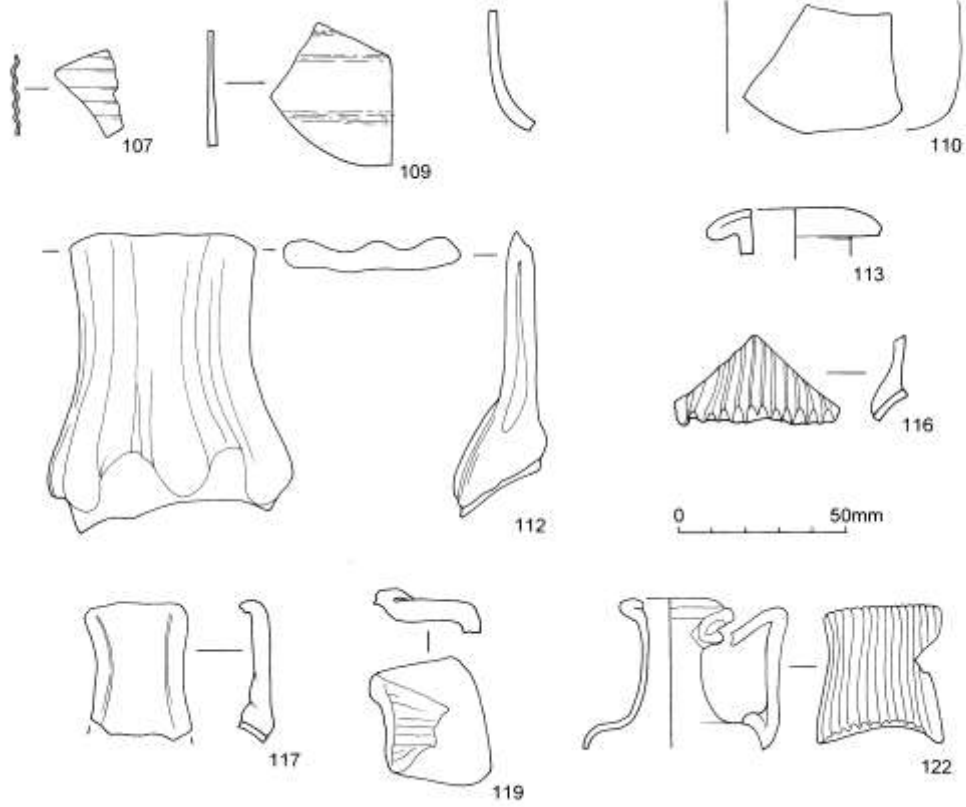
422 Roman glass, 47-78



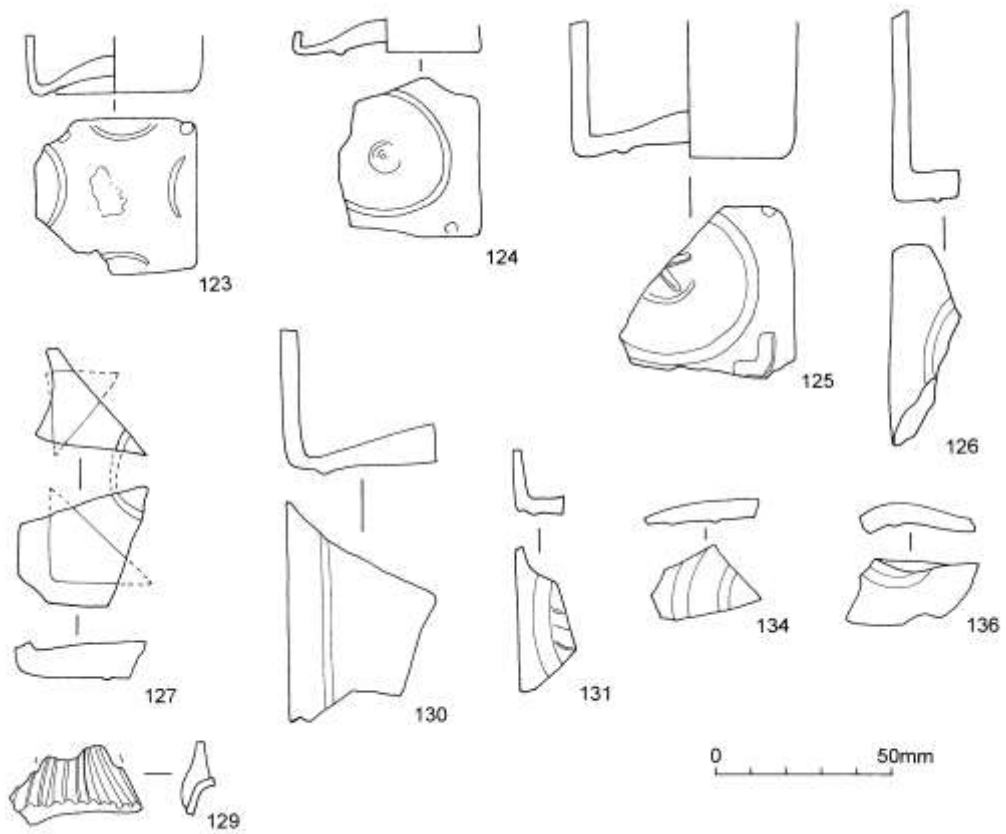
423 Roman glass, 79-86



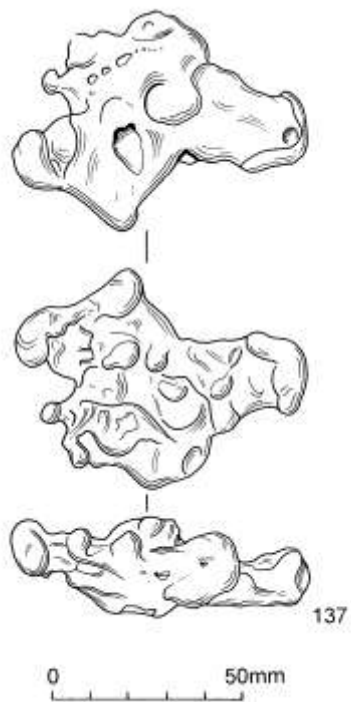
424 Roman glass, 87-105



425 Roman glass, 107-122



426 Roman glass, 123-136



427 Roman glass, 137





428 Photograph of cylindrical wheel-cut cup (cremation burial 12219)



429 Photograph of flask (cremation burial 12203)