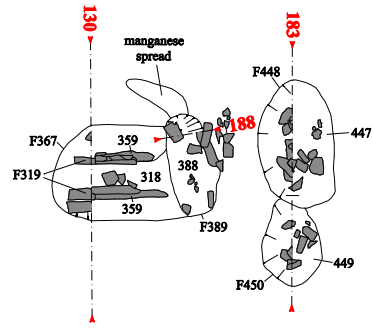


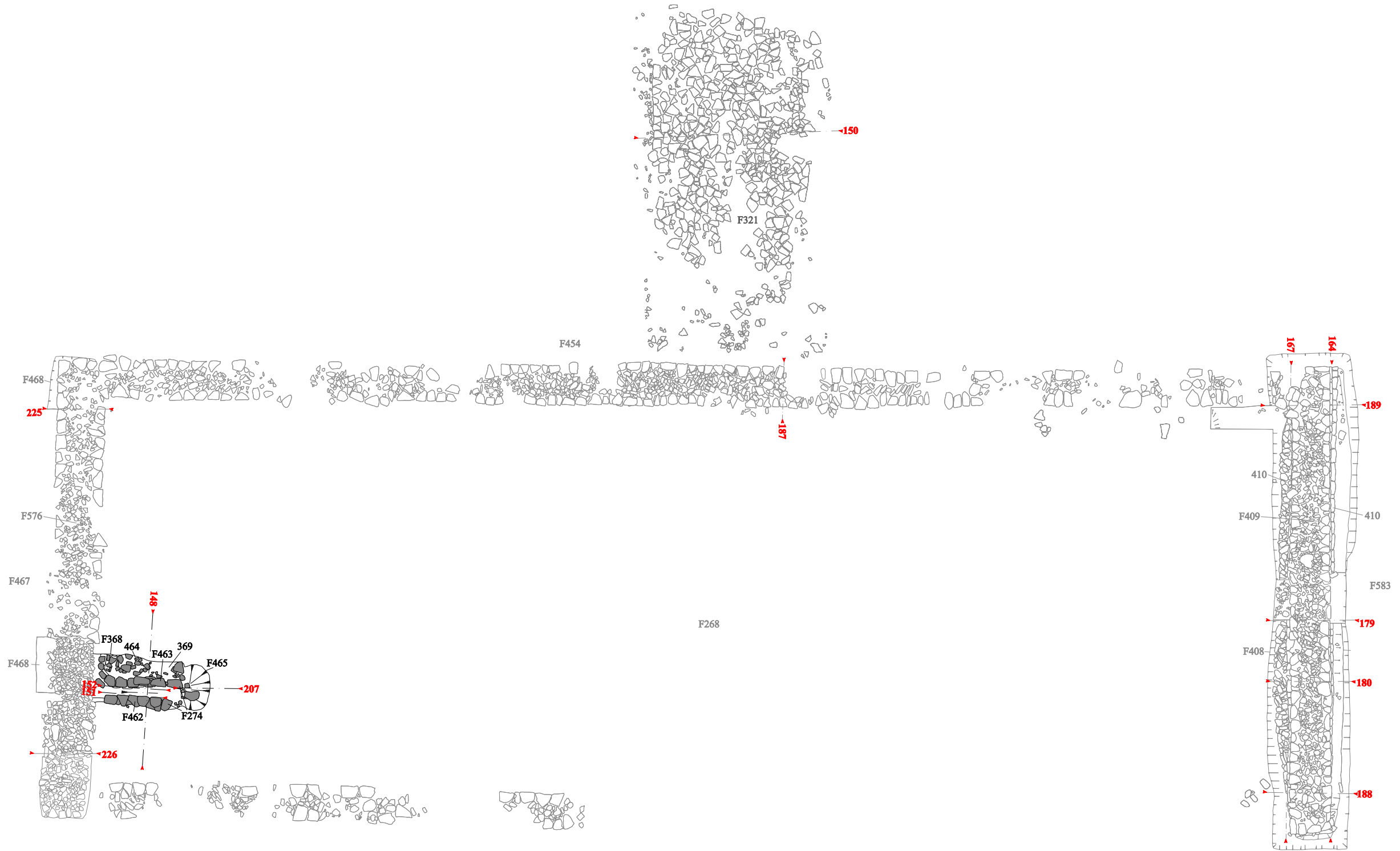
Based on Ordnance Survey map data.
Reproduction in whole or in part is
prohibited without the prior permission
of Archaeological Services Durham
University



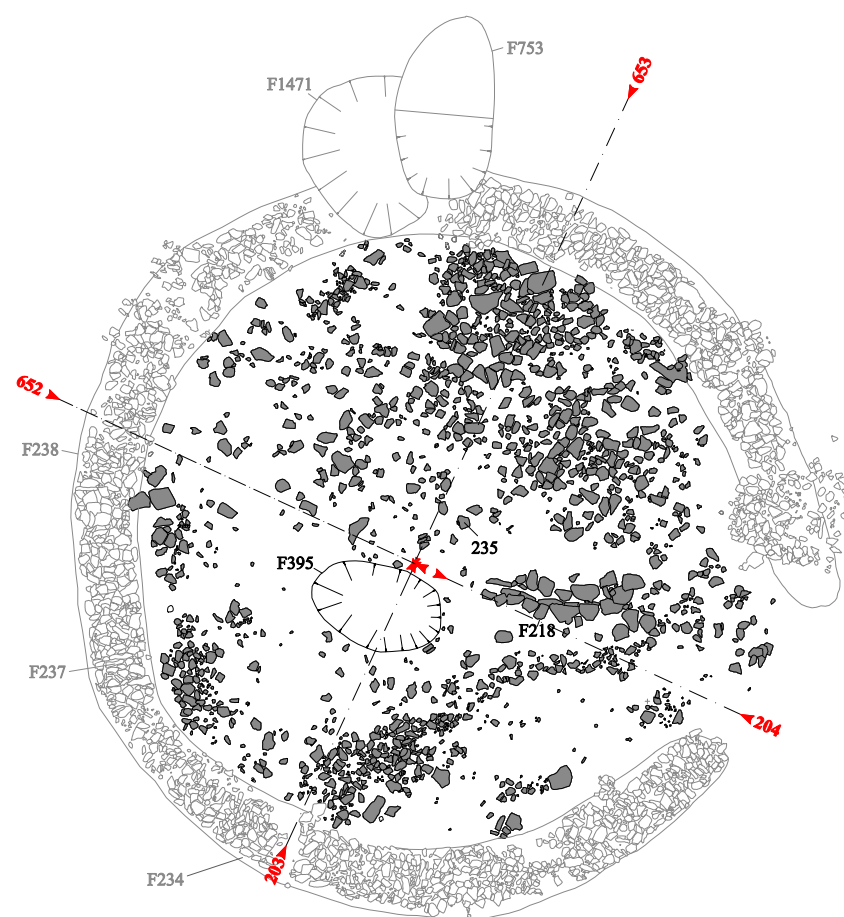
39.1








39.2



39.3



-  limit of excavation
-  section
-  preserved area (not excavated)
-  areas of excavation

0  5m
scale 1:100 - for A1 plot

on behalf of
English Heritage

ARCHAEOLOGICAL SERVICES
DURHAM UNIVERSITY

Appendix

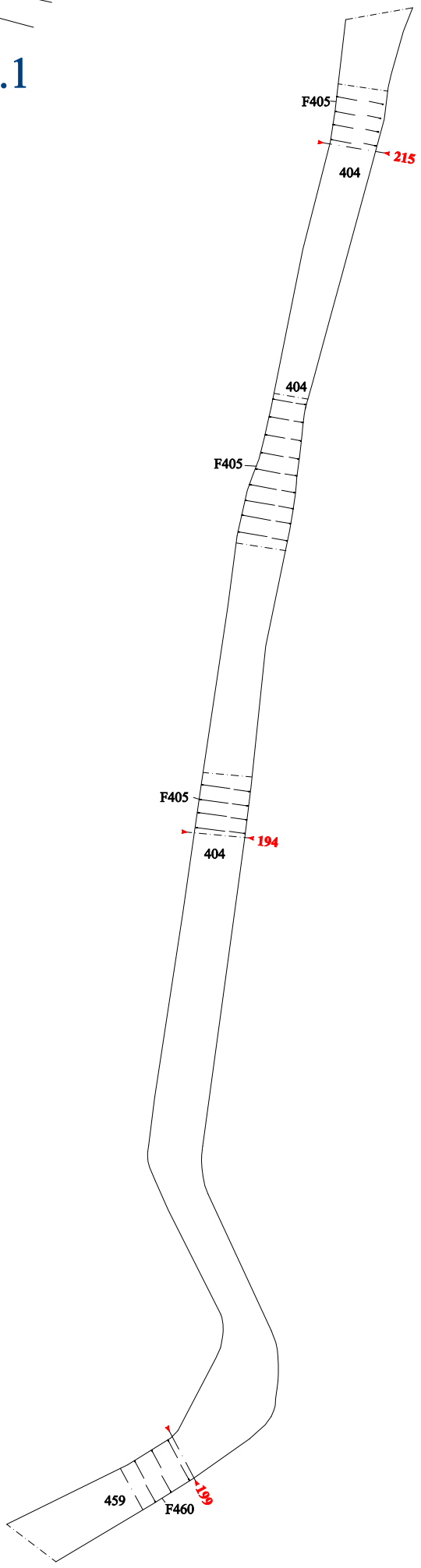
Figure A39:

Phase 5d features

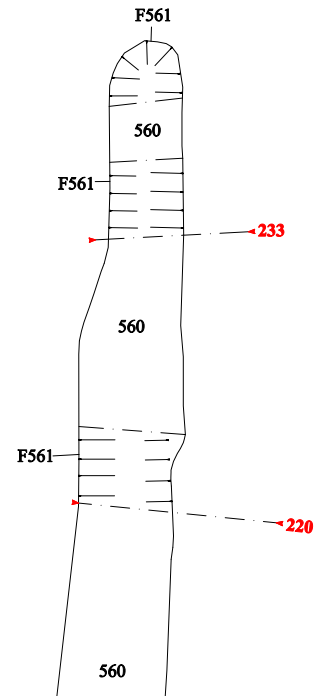
Based on Ordnance Survey map data.
Reproduction in whole or in part is
prohibited without the prior permission
of Archaeological Services Durham
University



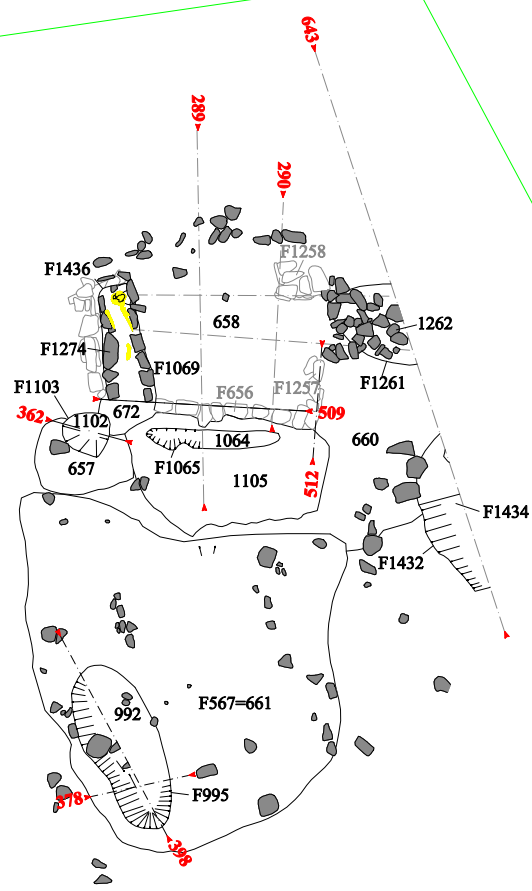
40.1



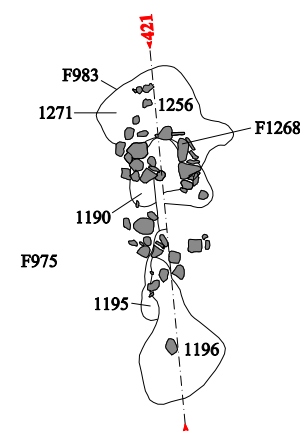
40.2



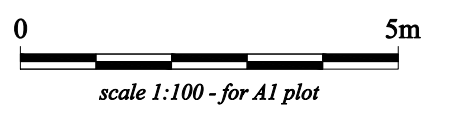
40.3



40.4



- limit of excavation
- section
- preserved area (not excavated)
- areas of excavation
- human bone



on behalf of
English Heritage

**ARCHAEOLOGICAL
SERVICES**
DURHAM UNIVERSITY

Appendix

Figure A40:

Phase 5d features

