

with fragments of bone and charcoal around edges outside of black area. Jar (4) was found outside the limits of the grave but was thought to be associated with it. Pottery and glass (5–9) appear to have been from fill.

Cremated human bone Adult (18–100 years); unsexed. Wt. 119.5g.

Charcoal *Prunus avium/padus* (xx).
Corylus sp. (x).

Pyre goods

- 1 Copper alloy; stem L. 19mm, diameter 6mm.
- 2 Iron; hobnails (4).
- 3 Iron; nail (13 including fragments).

Finds of uncertain status

- 4* B01. Wt. 220g. RE 5, BE 100 (BC/PH). A miniature BB1 jar with everted rim, its diameter not exceeding the maximum girth, with an obtuse lattice zone with faint groove above. Cf. Gillam (1976) no. 18, later third-century. Perhaps c. A.D. 240–270. The jar is complete except for most of the rim and there is a *post-cocturam* slot cut through the shoulder, from this there is a crack leading to the rim. Rather than necessarily being deliberate damage associated with the burial this might represent a botched start at riveting.
- 5 B01. Wt. 285g. RE 36 (BC/PG). Eight large BB1 jar rimsherds, heavily sooted, with 22 jar shoulder sherds and one sherd with obtuse lattice decoration. Cf. Gillam (1976) no. 10, later third-century. Possibly c. A.D. 250–350.
- 6 B01. Wt. 7g. RE 6 (BC/PG). A fragment from a simple-rimmed BB1 dish, interior and exterior burnished. Hadrianic to mid fourth-century.
- 7 O01. Wt. 1g. (BC/PG). An oxidised bodysherd. Perhaps second to third-century.
- 8 R04. Wt. 25g. BE 9 (BC/PG). A simple base sherd and bodysherd in Crambeck greyware. c. A.D. 285+.
- 9 Glass. Ten colourless body fragments.

Interpretation Redeposited pyre debris or unurned cremation.

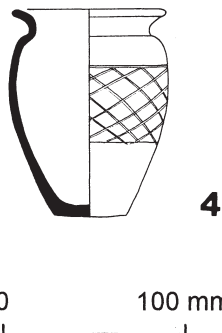


FIG. 4.128 Jar from deposit 151.

152 1967/75 PHASE 3

Plan FIG. 4.93; details FIG. 4.129.

Description Rectangular pit, axis unstated (0.91 x 0.69m, 0.33m deep). Jar (3) contained cremated bone and wedged in position by stones.

Cremated human bone Juvenile (10–12 years); unsexed. Wt. 85.6.

Charcoal *Betula* sp. (*).

Pyre goods

- 1 Copper alloy; wire.
- 2* Glass; beads (2). Long biconical, opaque deep blue, one slightly pitted from heat. L. 14mm and 12.5mm, diameter both 5mm, perforation diameter 1mm.

Grave goods

- 3* B01. Wt. 850g. RE 87, BE 77 (BC/FW). An almost complete BB1 jar with everted rim, its diameter exceeding the maximum girth, with an obtuse lattice zone on the girth with a groove above. Nine sherds are burnt, perhaps the vessel was burnt on one side like several others. There is a graffito 'BATA' on the shoulder (see TABLE 8.25). Cf. Gillam (1976) nos 12–14, early to mid fourth-century. c. A.D. 270–350.
- 4* W02. Wt. 430g. RE 100, BE 100 (BC/FX). A complete constricted-necked jar in a whiteware, probably Nene Valley parchment ware with red painted horizontal bands on the body. Cf. Gillam (1970) type 34, c. A.D. 280–380; Howe *et al.* (1980) nos 94–5. Second to fourth-century.
- 5* B01. Wt. 820g. RE 100, BE 100 (BC/FY). A complete BB1 simple-rimmed dish, the wall decorated with intersecting arcs and the base with intersecting circles. c. A.D. 200–350.

Interpretation Urned cremation burial.

153 1967/77 AND 78 PHASE 1

Plan FIG. 4.93.

Description Records limited. Described as 'irregular-shaped pit'.

Cremated human bone Adult (18–100 years); female. Wt. 58.3g (including glass fused to long bone, 2g animal bone and ivory).

Cremated animal bone Large ungulate.

Pyre goods

- 1 Copper alloy; fragment.
- 2 Ivory; fragment.

Interpretation Redeposited pyre debris.

154 1967/81 AND 82 PHASE 1

Plan FIG. 4.93; details FIG. 4.130.

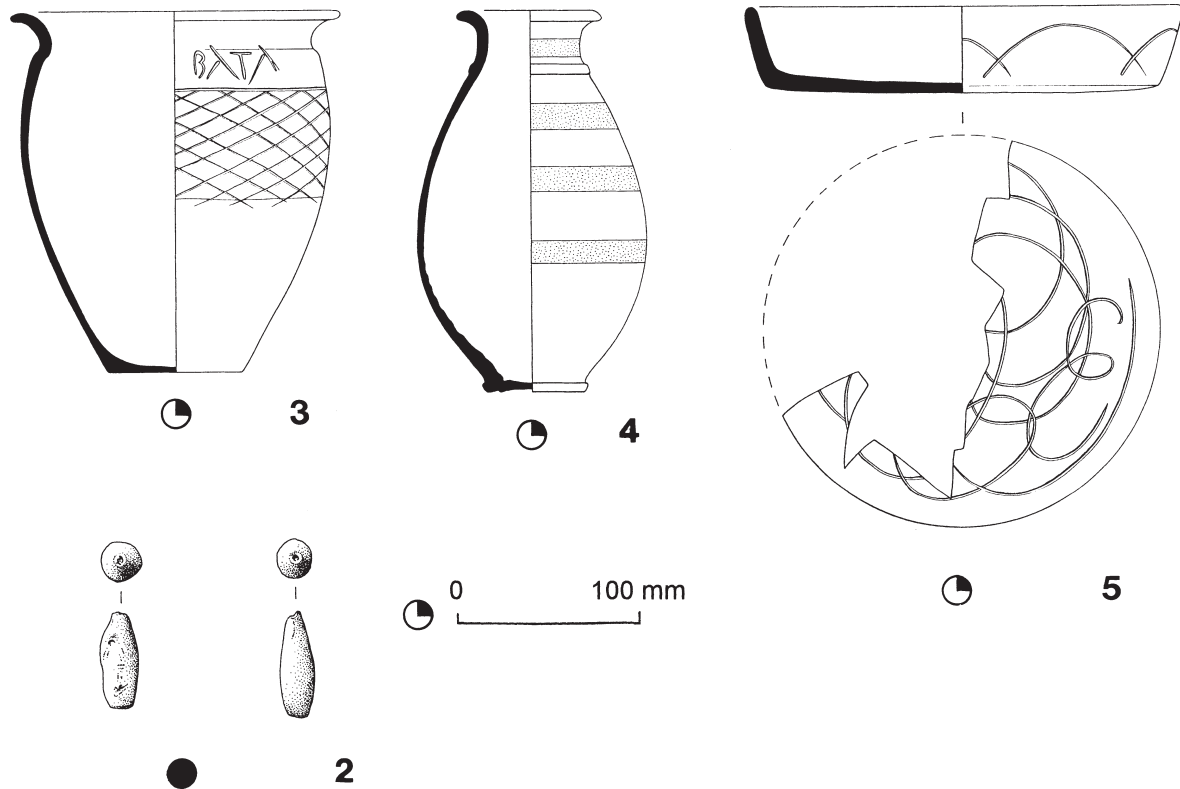


FIG. 4.129 Pyre and grave goods from urned cremation burial 152.

Description Records limited. Large irregular double pit. Finds recorded as coming from northern half. Veneer includes fragment joining another in 123. Nos (6–11) described as unstratified in fill.

Cremated human bone Subadult–adult (13–100 years); unsexed. Wt. 12.8g (including 0.5g worked bone).

Pyre goods

- 1 Iron; nail (4 including 2 fragments).
- 2 Bone veneer types: A4.1; B2; F.
- 3 B01. Wt. 6g. (BC/GW). Two BB1 jar bodysherds, possibly from the same vessel, burnt.

Finds of uncertain status

- 4* B01. Wt. 16g. RE 4, BE 5 (BC/GW). A rimsherd from a simple-rimmed BB1 dish with intersecting arc decoration on the exterior. *c.* A.D. 200–350.
- 5* S30. Wt. 705g. RE 50, BE 100 (BC/GX). Twenty fragments, giving approximately 60% of a dish of form 31R (Sb), East Gaulish (Rheinzabern), with an unidentifiable potter's stamp. The footring is weathered and probably worn too; interior weathered and not worn. Late second or third-century.
- 6 B01. Wt. 27g. RE 3 (BC/WT). A BB1 rim fragment and seven bodysherds, some with obtuse lattice decoration. Third to mid fourth-century.

- 7 B01. Wt. 7g. RE 7 (BC/WT). A BB1 simple dish rimsherd, exterior decorated with intersecting arcs. *c.* A.D. 200–350.
- 8 F01. Wt. 2g. RE 14 (BC/WT). Two bodysherds and a vertical-necked bead-rimmed beaker rim in Trier Rhenish ware. *c.* A.D. 200–260.
- 9 F03. Wt. 1g. (BC/WT). A Nene Valley colour-coated ware indented beaker bodysherd. Third to fourth-century.
- 10 F03. Wt. 1g. (BC/WT). A Nene Valley colour-coated ware bag beaker bodysherd with barbotine decoration. *c.* A.D. 160/170–250.
- 11 S30. Wt. 1g. (BC/WT). An ?East Gaulish jar bodysherd. Later second to third-century.

Interpretation Possibly redeposited pyre debris.

155 1967/74 PHASE 2

Plan FIG. 4.93; details FIG. 4.131.

Description Limited records extant. Oval pit (0.84 x 0.61m, 0.23m deep; major axis W/E). Cremated bones from (1).

Cremated human bone Adult (18–45 years); female?? Wt. 121.4g.

Grave goods

- 1* B01. Wt. 725g. RE 43, BE 55 (BC/HN). A BB1 jar with everted rim, not exceeding the maximum girth, with obtuse lattice zone

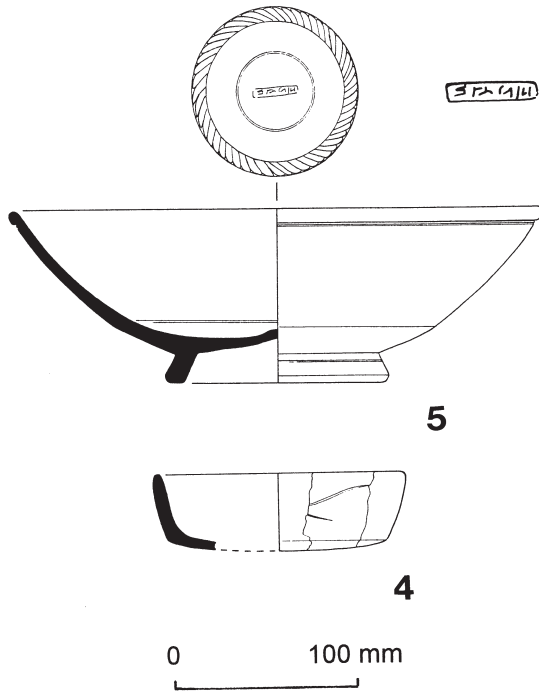


FIG. 4.130 Pottery from possible pyre debris deposit 154.

with groove above, exterior sooted. Cf. Gillam (1976) no. 9, mid to later third-century. c. A.D. 240–270.

Interpretation Urned cremation burial.

156 1967/80 PHASE 2

Plan FIG. 4.93.

Description Records limited. Circular pit (diameter 0.46m).

Cremated human bone Subadult–adult (13–100 years); unsexed. Wt. 6.9g.

Pyre goods

1 Iron; nail found with cremated bone.

Finds of uncertain status

- 2 B01. Wt. 37g. RE 16 (BC/GB). Three BB1 jar rim fragments possibly from the same vessel with slightly everted, beaded rim, of diameter less than the maximum girth with obtuse lattice zone on the girth (no groove above), sooted. Cf. Gillam (1976) no. 7, early to mid third-century. c. A.D. 200/220–240.
- 3 B01. Wt. 7g. RE 6 (BC/GB). A BB1 everted jar rim fragment. Perhaps c. A.D. 250–350.
- 4 B01. Wt. 6g. RE 1 (BC/GB). A BB1 everted jar rim fragment. Perhaps c. A.D. 250–350.
- 5 O02. Wt. 48g. (BC/GB). Seven oxidised bodysherds.
- 6 S30. Wt. 12g. (BC/GB). Body flake, East Gaulish (Rheinzabern). Late second or third-century.

Interpretation Uncertain – bones, sherds described as disturbed, possibly redeposited pyre debris.

157 1967/261 PHASE 3

Plan FIG. 4.93; details FIG. 4.132.

Description Discovered during final machine cleaning of site and disturbed. Rectangular pit with sandstone slab along southern edge (0.46 x 0.36m; major axis W/E). Fill: dark brown, vessels by sandstone slab; bone in SW corner.

Cremated human bone Adult (18–100 years); unsexed. Wt. 62.5g.

Pyre goods

1 Iron; nail (fragment) (BC/PL–M).

Grave goods

- 2* B01. Wt. 135g. RE 58, BE 100 (BC/PL). A miniature BB1 jar with everted rim of slightly greater diameter than the maximum girth, with obtuse lattice zone on the girth with groove above. Cf. Gillam (1976) no. 18, later third century. Possibly c. A.D. 260–300.
- 3* S30. Wt. 725g. RE 100, BE 100 (BC/PM). Twenty-two fragments of a complete dish of form 31R (Sb/Sh), East Gaulish (Rheinzabern). The potter's stamp is completely eroded and the footring worn. Probably third-century.
- 4* Glass; pear-shaped flask in c. 100 fragments. Blue/green; small bubbles; streaky green impurities at rim. Funnel-shaped mouth, rim edge rolled in; narrow cylindrical neck, wide convex-curved body flattened on two sides producing an oval section overall; rather distorted tubular pushed-in base

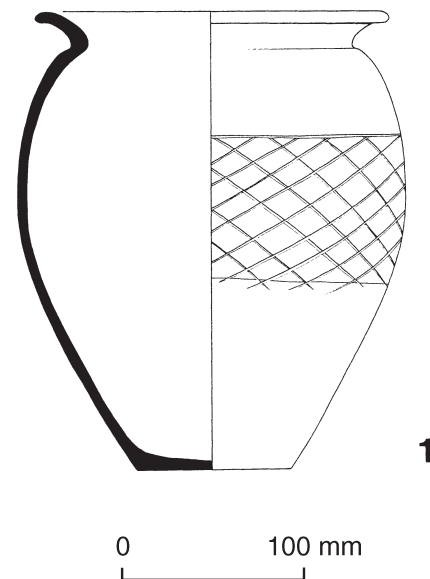


FIG. 4.131 Urn from urned cremation burial 155.

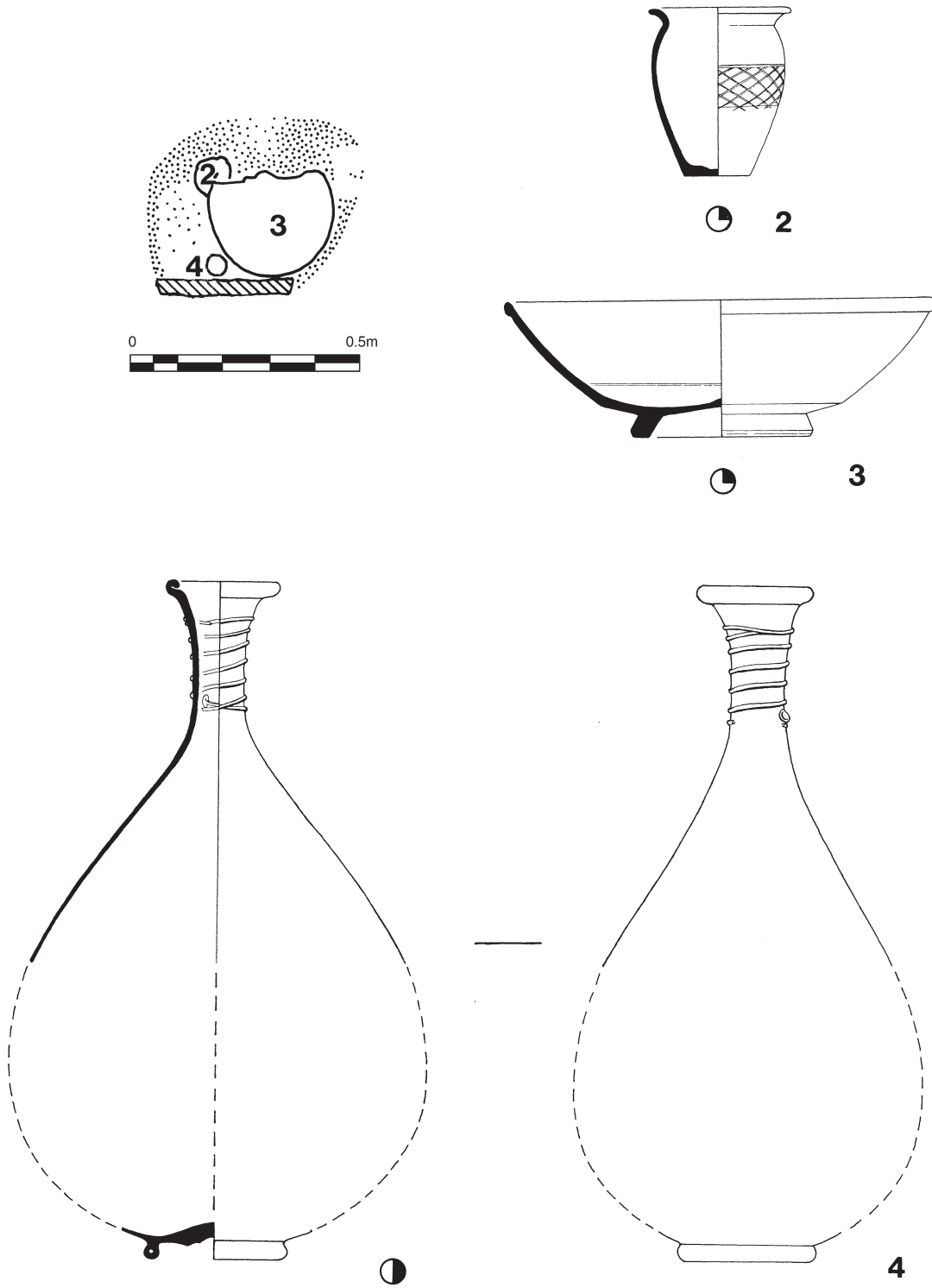


FIG. 4.132 Plan and grave goods from unurned cremation burial 157.

ring; flat base thickened at centre with central kick. Pontil scar. Thin trail attached at base of neck and spiralled upward with seven turns. Some wear on base ring. Present Ht. (rim and upper body) c. 110mm, rim diameter 35mm, base diameter 43 x 40mm, wall thickness 0.5–1mm, pontil scar diameter 24 x 15mm.

Finds of uncertain status

- 5 B01. Wt. 7g. BE 10 (BC/PL). A BB1 jar base sherd. Hadrianic to mid fourth-century.
- 6 Glass; vessel. Four colourless body fragments packed with flask (5), possibly from fill.

Interpretation Probably unurned cremation.

158 1967/260 PHASE 1

Plan FIG. 4.93; details FIG. 4.133.

Description Records limited. Pit not defined. Fill: blackish. Cremated bone from jar (5) with dish (6) impacted onto top of jar, presumably acting as lid. Finds (1–4) and (8–11) are noted as being from fill.

Cremated human bone Two groups from two individuals cremated separately. (i) from jar (5), (ii) probably from fill.

- (i) Infant (0.5–4 years); unsexed. Wt. 47.7g.
- (ii) Subadult–adult (13–100 years); unsexed. Wt. 7.4g.

Pyre goods

- 1 Copper alloy; fragment (2).
- 2 Iron; nail (7 including 2 fragments).
- 3 B01. Wt. 5g. (BC/PR). A burnt BB1 loop handle from a beaker. Second to third-century. This is from a different vessel to (7). Also many BB1 closed-form bodysherds, many burnt.
- 4 F03. Wt. 44g. (BC/PR). Sherds from a Nene Valley colour-coated ware indented scale beaker, some lightly burnt. Later second to third-century.

Grave goods

- 5 B01. Wt. 400. RE 16, BE 41 (BC/PQ). A BB1 jar rim, bodysherds and base from a jar with an everted rim and obtuse lattice zone on the girth. The base sherds and several wall sherds show evidence of burning. Cf. Gillam (1976) no. 8, mid third-century. Possibly c. A.D. 220–260.
- 6* B01. Wt. 450g. RE 58, BE 54 (BC/PN). Sherds from a large part of a BB1 simple-rimmed dish with intersecting arc decoration on the exterior. c. A.D. 200–350
- 7* B01. Wt. 160g. RE 15, BE 90 (BC/PO). The profile of a BB1 beaker with a loop handle. Hadrianic to later third-century.

Finds of uncertain status

- 8 B01. Wt. 37g. BE 65 (BC/PR). BB1 jar base fragment.
- 9 B01. Wt. 12g. RE 13 (BC/PR). Three BB1 jar rim fragments, possibly from the same vessel as (8). Third to mid fourth-century.
- 10 B01. Wt. 25g. RE 6 (BC/PR). Seven small sherds from a BB1 simple-rimmed dish. Third to mid fourth-century.
- 11 R06. Wt. 1g. (BC/PR). A greyware jar bodysherd.

Interpretation Urned cremation burial, possibly with redeposited pyre debris from cremation of second individual in fill.

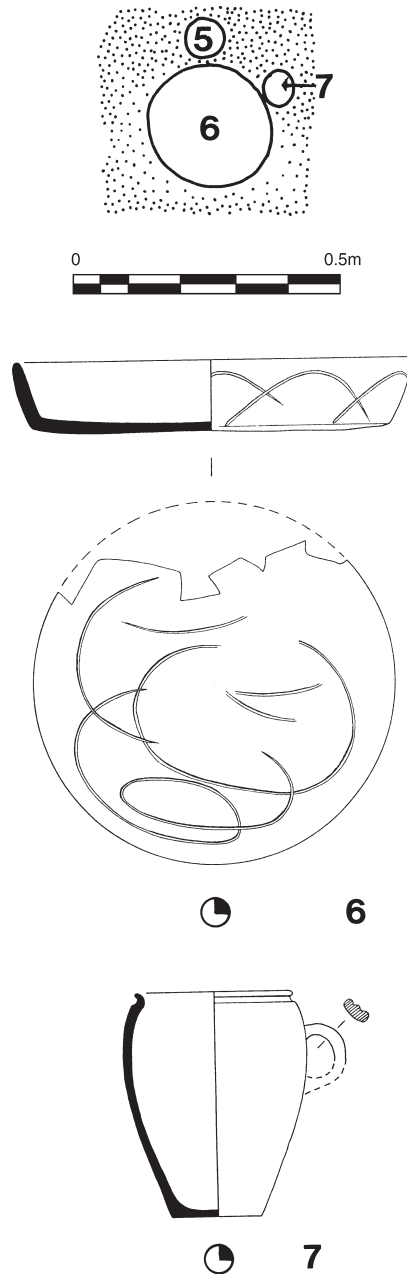


FIG. 4.133 Plan and grave goods from urned cremation burial 158.

160 1967/262 PHASE 3

Plan FIG. 4.93; details FIG. 4.134; see also FIG. 11.4.

Description Oval pit dug to E of erratic (0.49 x 0.34m; major axis N/S). Fill: black with small stones. Cremated bones in (2) covered by sandstone slab which prevented soil entering, (3) also covered by sandstone slab, and both wedged by stones. Dish (4) placed in last, resting on (3) and against (2).

Cremated human bone Adult (30–40 years); male. Wt. 545.6g (including 1.8g animal bone).

Cremated animal bone Sheep/goat.

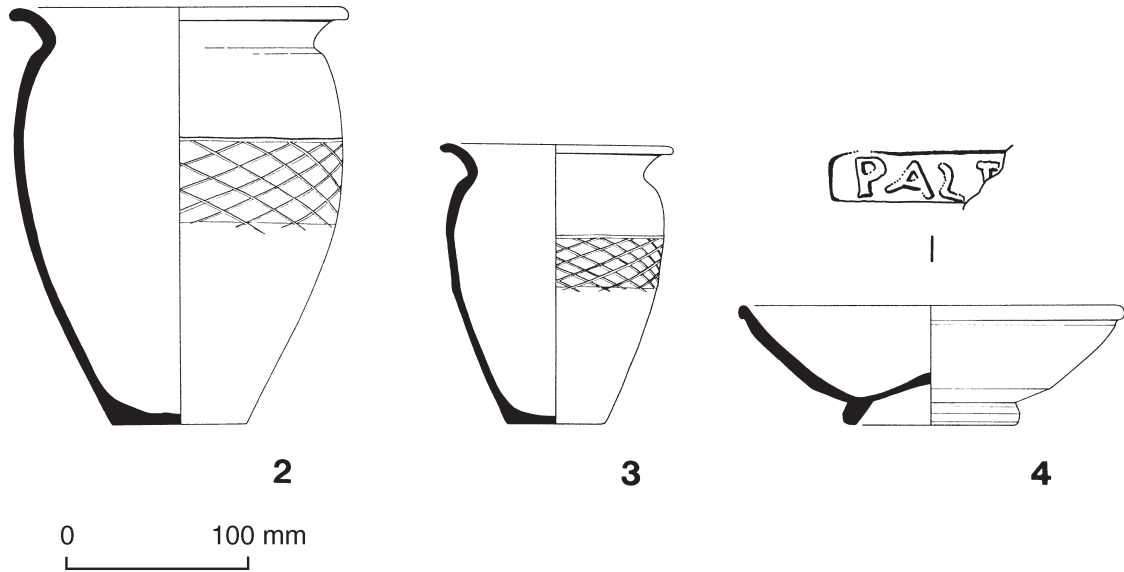


FIG. 4.134 Grave goods from urned cremation burial 160.

Pyre goods

1 Iron; nail shank found in cremated bone.

Grave goods

- 2* B01. Wt. 1000g. RE 100, BE 100 (BC/QC). A complete BB1 jar with everted rim of slightly greater diameter than the maximum girth with obtuse lattice zone on the girth with a groove above. There is a hole in the lower wall of the body which was probably made deliberately before burial. Cf. Gillam (1976) nos 10–12, later third to early fourth-century. c. A.D. 260–300.
- 3* B01. Wt. 400g. RE 100, BE 100 (BC/QB). A complete small BB1 jar with everted rim of diameter greater than the maximum girth which has an obtuse lattice zone with a groove above, some sooting, heavily burnt orange on one side suggesting placing adjacent to the pyre. Cf. Gillam (1976) nos 12–13, early to mid fourth-century. c. A.D. 270–330.
- 4* S30. Wt. 475g. RE 100, BE 100 (BC/QA). Form 31 (Sa), almost complete, East Gaulish (Trier), stamped PA T[OR] (Pastor iii, Die 1a). A deep variant of the form, similar in proportions to Central Gaulish examples at Pudding Pan Rock. The footring is worn. Probably first half of the third century. The same stamp occurs on 22.9.

Interpretation Urned cremation burial.

161 1967/256 PHASE 1

Plan FIG. 4.93; details FIG. 4.135.

Description Records limited. Sandstone cist with dark-brown soil.

Cremated human bone Infant (1–4 years); unsexed. Wt. 0.6g.

Finds of uncertain status

- 1 B01. Wt. 13g. (BC/PV). Three BB1 jar shoulder bodysherds. Hadrianic to mid fourth-century.
- 2* S20. Wt. 52g. RE 7, BE 25 (BC/PV). A large fragment of a shallow Central Gaulish dish similar to Oswald and Pryce 1920, pl. lxiv, 4, 5, but with a more pronounced bead-lip. The pot was probably not stamped, but the upper surface of the base is fluted at the centre, like the underside of some dishes of the form 79 family. Mid to late-Antonine.

Interpretation Uncertain.

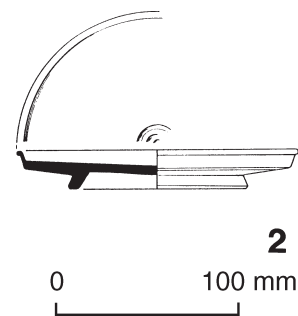


FIG. 4.135 Samian dish from deposit 161.

162 1967/273 PHASE 2

Plan FIG. 4.93; details FIG. 4.136, FIG. 11.5.

Description Rectangular pit with sandstone slab at northern and southern end (0.7 x 0.5m; major axis N/S). Fill: dark brown. Cremated bone in (1) in northern half of pit, other vessels stacked on top of each other in southern half of pit, (3) at bottom, then (4), with (2) lying on side in mortarium.

Cremated human bone Adult (18–100 years); unsexed. Wt. 54.6g.

Grave goods

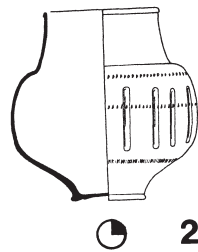
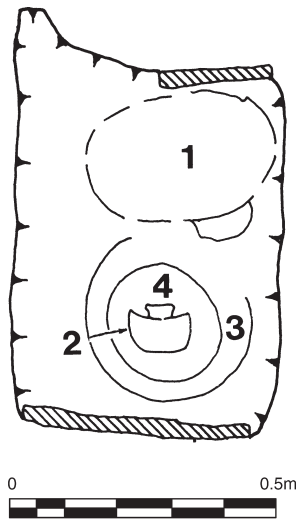
- 1 B01. Wt. 1425g. RE 23, BE 48 (BC/QP). Three rimsherds, six base sherds and numerous bodysherds from a BB1 jar with an everted rim and obtuse lattice zone with groove above. The rim diameter does not exceed the maximum girth. Cf. Gillam (1976) no. 7, early to mid third-century. c. A.D. 240–270.
- 2* F01. Wt. 115g. RE 70, BE 100 (BC/QP). Most of a fairly squat, globular-necked, indented Trier Rhenish ware beaker. Cf. Gillam (1970) types 44–5, A.D. 190–250. c. A.D. 200–260.

- 3* S30. Wt. 1025g. RE 100, BE 100 (BC/QM). Fourteen fragments giving a complete dish of form 31R (Sb/Sh), with heavily worn footring, stamped EVRITV[SF] (Die 1a). The base is not rouletted, though the normal zone is defined by two grooves. For this potter see 319.5.
- 4 Samian form 45 – described on site and in finds records but now missing.

Finds of uncertain status

- 5 R08. Wt. 2g. (BC/QP). A greyware bodysherd.

Interpretation Urned cremation burial.



163 1967/258 UNPHASED

Plan FIG. 4.93; details FIG. 4.137.

Description Records limited. No pit identified.

Cremated human bone Subadult–adult (13–100 years); unsexed. Wt. 8.9g (including 1.6g worked bone).

Pyre goods

- 1 Bone; handle fragment with cross-hatched decoration.
- 2 Bone; worked fragment.

Finds of uncertain status

- 3* O01. Wt. 350g. BE 100 (BC/QG). A simple jar or constricted-necked jar base. Perhaps second to third-century.

Interpretation Uncertain.

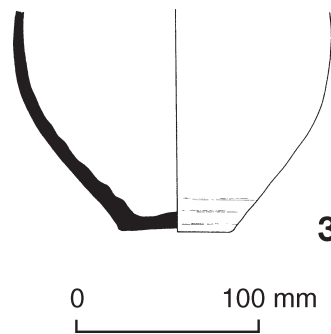


FIG. 4.137 Jar from deposit 163.

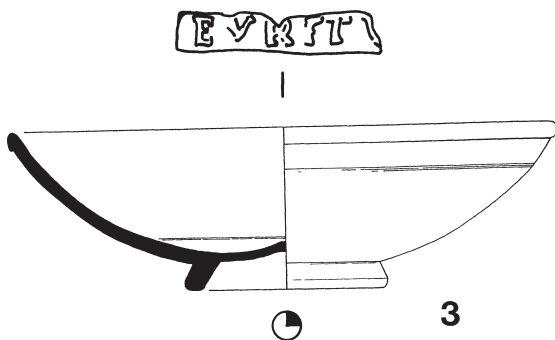


FIG. 4.136 Grave goods from urned cremation burial 162.

164 1967/179 PHASE 1

Plan FIG. 4.93.

Description Circular pit (diameter 0.34m). Fill: very dark black with scatterings of bone and charcoal.

Cremated human bone Subadult–adult (13–100 years); unsexed. Wt. 36g.

Charcoal *Prunus avium/padus* (xx).

Betula sp. (x).

Pomoideae (x) ?narrow roundwood.

Pyre goods

- 1 Iron; nail fragment from charcoal sample.
- 2 Glass; vessel. Blue/green, ten melted lumps (30g), one of which appears to be from a collapsed cylindrical neck of flask or bottle.
- 3 Glass; bead. Melted spherical now appearing black. Diameter 6mm, L. 4mm.

Finds of uncertain status

- 4 B01. Wt. 1g. (BC/LN). A BB1 fragment. Hadrianic to mid fourth-century.
- 5 O02. Wt. 3g. (BC/LN). An oxidised bodysherd.
- 6 R08. Wt. 5g. (BC/LN). A greyware jar bodysherd.

Interpretation Redeposited pyre debris.

165 1967/275 UNPHASED

Plan FIG. 4.93; details FIG. 4.138.

Description Records limited. Described as a 'black burial pit'.

Cremated human bone Subadult–adult (13–100 years); unsexed. Wt. 97g.

Pyre goods

- 1* Copper alloy; sheet, riveted fragment L. 25mm, W. 19mm.
- 2 Iron; nail (9 including 4 fragments).
- 3 Iron; hobnail (3).

Finds of uncertain status

- 4 Glass; vessel. Four colourless body fragments.

Interpretation Redeposited pyre debris.

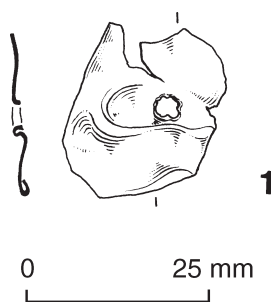


FIG. 4.138 Copper-alloy sheet fragment from pyre debris deposit 165.

166 1967/178 UNPHASED

Plan FIG. 4.93.

Description Sub-square pit with sandstone slab in western end (0.58m square). Fill: light brown with occasional black patch.

Cremated human bone Adult (18–100 years); unsexed. Wt. 4.4g.

Finds of uncertain status

- 1 B01. Wt. 1g. (BC/LM). A BB1 bodysherd. Hadrianic to mid fourth-century.
- 2 F06. Wt. 6g. (BC/LM). Fragment from nozzle of *tettina*.
- 3 S10. Wt. 1g. Form 15/17 or 18 fragment, South Gaulish. First-century.

Interpretation Uncertain.

167 1967/255 PHASE 3B

Plan FIG. 4.93; details FIG. 4.139.

Description Records limited. Pit shape not stated, sandstone slab at N end with fill between it and pit wall designated layer I, rest of fill (layer II) dark brown.

Cremated human bone Adult (18–100 years); male?? Wt. 19.5g (including 5.5g worked bone).

Charcoal *Alnus* sp (xx).

Betula sp. (x).

Pyre goods

- 1 Iron; nail (3 including 2 fragments) from layer II.
- 2 Iron; nail (5 including 3 fragments) from layer I.
- 3 Bone veneer types: A4; A7; F.

Finds of uncertain status from fill (layer II)

- 4* ?R04. Wt. 410g. RE 56 (BC/PT). Sherds from the rim and shoulder of a pale greyware constricted-necked jar with cordon at the base of the neck, perhaps Crambeck greyware. Possibly c. A.D. 285+.

Interpretation Redeposited pyre debris.

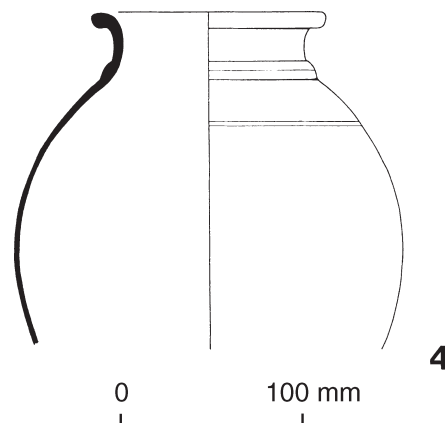


FIG. 4.139 Constricted-neck jar from pyre debris deposit 167.

168 1967/265 PHASE 2

Plan FIG. 4.93; details FIG. 4.140; see also FIG. 3.12.

Description Square cist of sandstone slabs (0.50m square). Fill: dark brown in upper part of cist with

two cobbles in NE and SE corners and sandstone slab covering jar (4) which contained cremated bones in lower part, fill around jar described as disturbed natural. Excavator noted that the urn was 'very well concealed' below sandstone slab, and no soil had entered urn.

Cremated human bone Juvenile-subadult (8–13 years); unsexed. Wt. 175.9g.

Pyre goods

- 1* Iron; needle (heat-affected). L. 46mm, diameter 2.5mm.
- 2 Iron; cramp or buckle.
- 3 Iron; nail fragment.

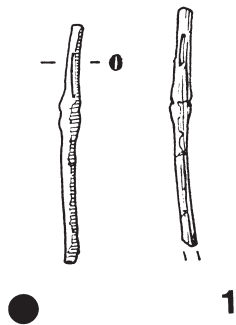
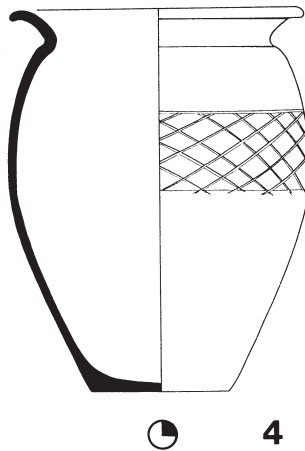
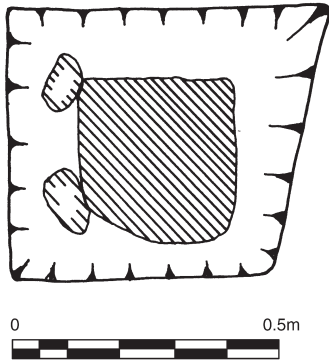


FIG. 4.140 Plan, pyre and grave goods from urned cremation burial 168.

Grave goods

- 4* B01. Wt. 800g. RE 63, BE 100 (BC/RC). Sherds forming a largely complete BB1 jar with everted rim of smaller diameter than the maximum girth, with an obtuse lattice zone on the girth with a groove above, exterior heavily sooted, interior limescale or bone residue. The vessel is very thin-walled. The original record shows a small deliberate hole punched into the lattice zone. Cf. Gillam (1976) nos 8–9, mid later third-century. *c.* A.D. 240–270.

Interpretation Urned cremation burial, possibly with redeposited pyre debris in upper part.

169 1967/257 PHASE 3

Plan FIG. 4.93; details FIG. 4.141.

Description Records limited. Shape of pit not stated. Fill: brown with 'hardly any' charcoal or burning. Large jar (3) contained cremated bones and appears wedged around by large stones.

Cremated human bone Adult (18–40 years); female. Wt. 404.3g (including 0.7g animal bone).

Cremated animal bone Sheep/goat.

Pyre goods

- 1 Copper alloy; melted fragment.
- 2 Iron; nail fragment, probably from cremated bones.

Grave goods

- 3* R12. Wt. 475g. RE 23, BE 100 (BC/PY). An imitation BB1 jar with everted rim with diameter exceeding the maximum girth and obtuse lattice zone. Probably *c.* A.D. 270–300.
- 4* B01. Wt. 775g. RE 8, BE 78 (BC/PY(A)). Fragments from a BB1 jar, very heavily burnt orange on one side, exterior sooted, also some internal soot on some sherds and traces of ?limescale. The only surviving rimsherd is everted but has a diameter less than the maximum girth. There is an obtuse lattice zone on the girth with a groove above. Cf. Gillam (1976) no. 9, mid to later third-century. *c.* A.D. 240–270.

Interpretation Urned cremation burial.

170 1967/267 PHASE 2

Plan FIG. 4.93.

Description Records limited, 'small pit'. Fill: dark brown with large pebbles packing around (2) which contained cremated bone.

Cremated human bone Adult (21–40 years); female?? Wt. 316g.

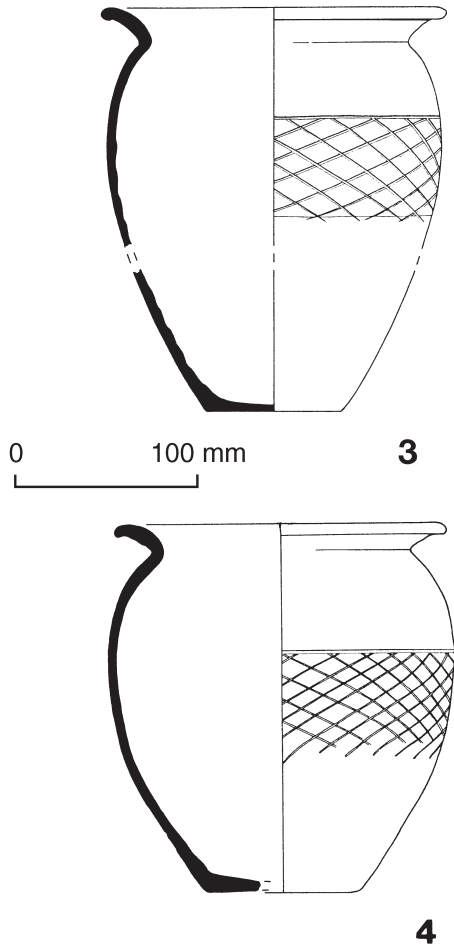


FIG. 4.141 Grave goods from urned cremation burial 169.

Pyre goods

- 1 Glass; bead. Melted translucent blue fragment.

Grave goods

- 2 B01. Wt. 625g. RE 12, BE 90 (BC/PX). Two rim fragments, eight base sherds and 90 bodysherds from a BB1 jar with obtuse lattice zone on the girth with a groove above, heavily sooted and some sherds burnt. *c.* A.D. 240+.

Interpretation Urned cremation burial.

171 1967/271 PHASE 1

Plan FIG. 4.91; details FIG. 4.142.

Description Circular pit approximately 0.30–0.35m diameter. Fill: dark brown. Cremated bones and (5) in (1), (2) inverted over mouth of urn as lid, (3) and (4) placed on the ‘lid’.

Cremated human bone Infant (3–4years); unsexed. Wt. 59.3g.

Grave goods

- 1 B01. Wt. 360g. BE 72 (BC/QV). Two rim fragments, four base sherds and numerous

- bodysherds from a BB1 jar with everted rim and obtuse lattice zone on the girth. Some sherds are burnt and sooted. The rim is perhaps of early to mid third-century date.
- 2* B01. Wt. 380g. RE 76, BE 30 (BC/QT). Much of a BB1 incipient beaded-and-flanged bowl with intersecting arc decoration on the exterior wall, little of the base remains.
- 3 ?O01. Wt. 53g. BE 100 (BC/QU). The base and many small bodysherds from the wall of a globular oxidised ware beaker. Perhaps second to third-century.
- 4* S20. Wt. 125g. RE 100, BE 100 (BC/QS). Six fragments giving a complete cup of form 33, Central Gaulish. The potter’s stamp is entirely eroded. The footring is weathered, but does not seem to show much sign of wear. Antonine.
- 5* Copper alloy; bell with iron clapper placed in jar (1). Diameter 28mm, Ht. 15mm.

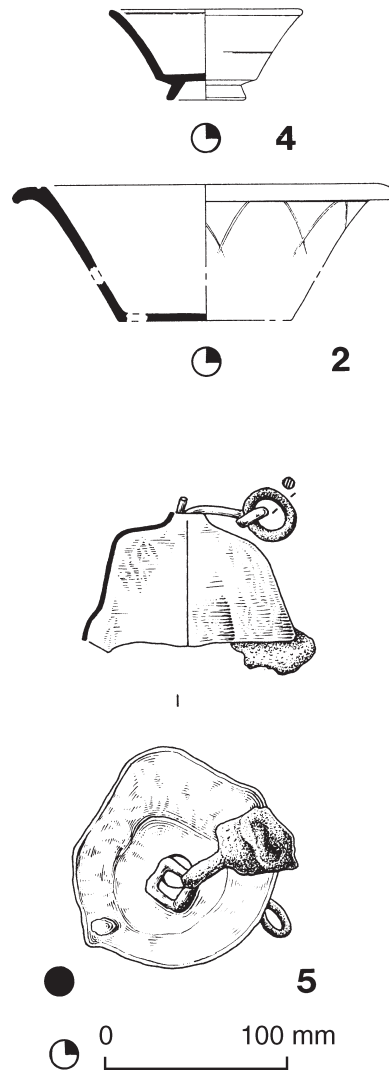


FIG. 4.142 Grave goods from urned cremation burial 171.

Finds of uncertain status

- 6 B01. Wt. 18g. RE 28 (BC/QT). Seven fragments from a BB1 jar with everted rising rim. Cf. Gillam (1976) nos 7–8, early to mid third-century. c. A.D. 200–250.

Interpretation Urned cremation burial.

172 1967/177 PHASE 2

Plan FIG. 4.93; details FIG. 4.143.

Description Rectangular cist of sandstone slabs placed immediately to N of large erratic (0.45 x 0.35m; major axis W/E). Fill: light sandy brown, each vessel wedged in by vertical sandstone slabs and deposit tightly packed. Uncovered by machine but undisturbed.

Pyre goods

- 1 Iron; nail.

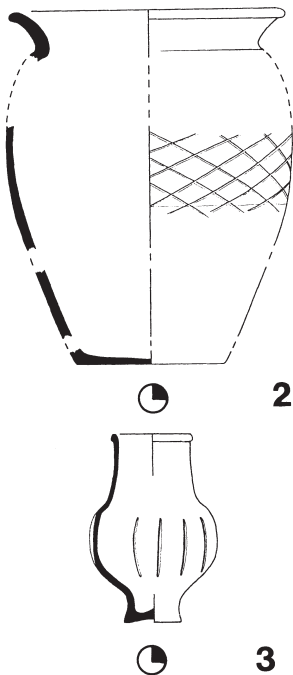
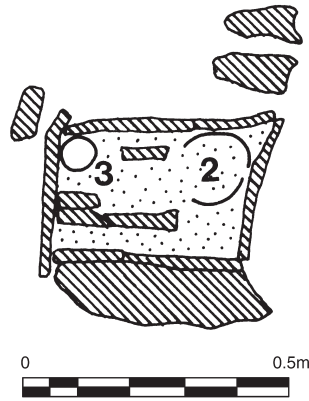


FIG. 4.143 Plan and vessels from vessel deposit 172.

Grave goods

- 2* B01. Wt. 550g. RE 17, BE 53 (BC/LL). Some 142 sherds from a BB1 jar with everted rim probably of smaller diameter than the maximum girth, with an obtuse lattice zone on the girth with a groove above, sooted, and many sherds burnt. Cf. Gillam (1976) no. 9, mid to later third-century. c. A.D. 240–270.
- 3* F02. Wt. 70g. RE 35, BE 100 (BC/LL). The complete profile of a Nene Valley colour-coated ware beaker, a slit-folded necked form with beaded rim. Cf. Howe *et al.* (1980) no. 53, fourth-century; Gillam (1970) type 52, A.D. 250–300. c. A.D. 250–300+.

Finds of uncertain status

- 4 B01. Wt. 3g. (BC/LL). A BB1 jar rim fragment from a different vessel. Third to early fourth-century.

Interpretation Vessel deposit.

174 1967/276 PHASE 3

Plan FIG. 4.93; details FIG. 4.144.

Description Limited records. No pit identified. Slight implication that cremated bone was found in (1).

Cremated human bone Subadult–adult (13–100 years); unsexed. Wt. 17.9g.

Grave goods

- 1* B01. Wt. 510g. BE100 (BC/RA). Sherds from a BB1 jar extending from base to girth, the latter decorated with an obtuse lattice zone with a groove above. c. A.D. 240+.
- 2 B01. Wt. 225g. RE 11 (BC/RB). Two BB1 jar rim fragments and 24 bodysherds from the shoulder and girth. The vessel has an everted rim which probably has a greater diameter than the maximum girth, which has an obtuse lattice zone with a groove above. Perhaps cf. Gillam (1976) nos 10–14, later third to mid fourth-century. c. A.D. 270–350.

Other finds

- 3 Glass; fragments recorded but not now identifiable.

Interpretation Uncertain but might be vessel deposit or 'memorial'.

175 1967/263 PHASE 2

Plan FIG. 4.93; details FIG. 4.145.

Description Rectangular cist of sandstone slabs (0.41 x 0.9m; major axis N/S). Fill: dark brown.

Cremated human bone Subadult–adult (13–100 years); unsexed. Wt. 29.5g (including 0.2g worked bone).

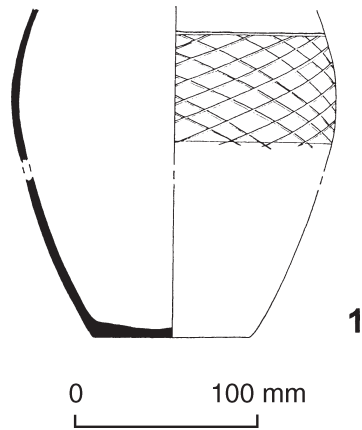


FIG. 4.144 Jar from possible vessel deposit 174.

Pyre goods

- 1* Copper alloy; ring fragments. Diameter 22mm.
- 2* Copper alloy; binding fragments. L. 29mm, W. 11mm.
- 3 Iron; nail.
- 4 Bone veneer type: E2.1.
- 5 B01. Wt. 51g. RE 14, BE 11 (BC/QE). Some very burnt rimsherds and some shoulder sherds and a base sherd from a BB1 jar(s) with everted rim. Perhaps mid third to early fourth-century.

Interpretation Redeposited pyre debris.

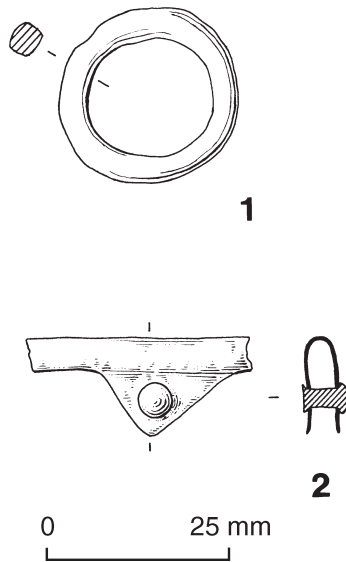


FIG. 4.145 Pyre goods from pyre debris deposit 175.

177 1967/254 UNPHASED

Plan FIG. 4.149; details FIG. 4.146.

Description Records limited. Square cist of sandstone slabs. Fill: dark brown with 'black earth' outside N wall.

Cremated human bone Adult (18–100 years); male?? Wt. 10.4g.

Pyre goods

- 1* Copper alloy; military belt plate. L. 24mm.
- 2 Copper alloy; fragment (2).
- 3 Iron; nail (10 including fragments).

Interpretation Uncertain, but does contain some redeposited pyre debris.

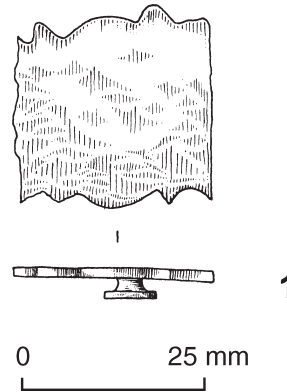


FIG. 4.146 Belt plate from deposit 177.

178 1967/240 PHASE 3B

Plan FIGS 4.93, 4.149; details FIG. 4.147.

Description Pit covered by capping stone (0.38 x 0.2m; major axis NW/SE). Fill: light brown. Vessels placed in a row and crushed by capping stone. Original site records imply presence of three vessels ('coarse ware dish, one pedestal vessel and a cooking pot'), but original finds records only note (1) and (2).

Grave goods

- 1* R04. Wt. 160g. RE 30, BE 100 (BC/PU). Two rim and shoulder fragments and the base from an unusual/carinated ?beaker in Crambeck greyware, c. A.D. 285+. Perhaps later third-century.

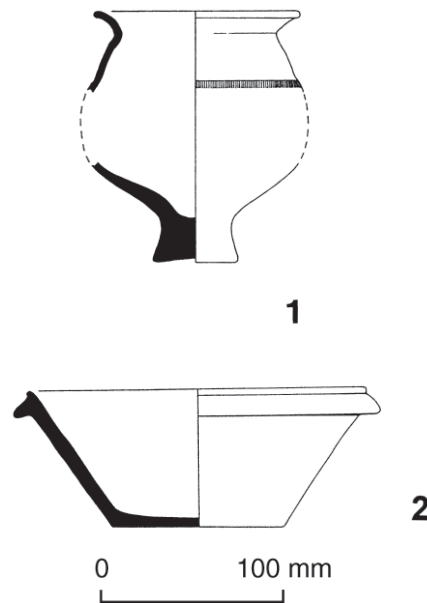


FIG. 4.147 Vessels from possible vessel deposit 178.

- 2* R04. Wt. 350g. RE 57, BE 65 (BC/PU). About half of a Crambeck type 1 beaded-and-flanged bowl. *c.* A.D. 285+.

Interpretation Vessel deposit but possibly the urn with bone was not collected.

179 1967/241 UNPHASED

Plan FIG. 4.93.

Description Planned but unexcavated.

Interpretation None possible.

180 1967/252 PHASE 3

Plan FIGS 4.93, 4.149; details FIG. 4.148.

Description Edges of pit not defined, approximately rectangular cist of sandstone slabs lacking a side to NW (0.4 x 0.3m; major axis N/S). Fill: dark brown with area describes as 'black fill' between eastern side of cist and presumed pit wall. Cremated bone in (3) and vessel mouth covered by sandstone slab.

Cremated human bone Infant (3–4 years); unsexed. Wt. 39.3g.

Pyre goods

- 1 Iron; hobnail (4).
- 2 Iron; nail (7 including 2 fragments) (BC/PI-).

Grave goods

- 3* G05. Wt. 1050g. RE 100, BE 100 (BC/PI). A complete Dales-type jar in a wheel-made gritty greyware. Probably later third to fourth-century.
- 4* R09. Wt. 425g. RE 87, BE 100 (BC/PJ). A complete carinated cup. Carinated vessels were made in the East Yorkshire potteries, with similar vessels from Norton (Hayes and Whiteley 1950, type 10) and Holme upon Spalding Moor (Corder and Sheppard 1930; nos 103–5; Hicks and Wilson 1975, no. 23). Probably third to fourth-century.

Interpretation Urned cremation burial, possibly with some redeposited pyre debris outside of cist.

181 1967/196 PHASE 2

Plan FIGS 4.93, 4.149; details FIG. 4.150.

Description. Edge of pit not defined. Jar (2) truncated by machine. Location of cremated bone not explicitly stated.

Cremated human bone Infant (3–4 years); unsexed. Wt. 18g.

Pyre goods

- 1* Glass; bead. Annular; translucent deep blue. Now heat-affected and distorted. Thickness

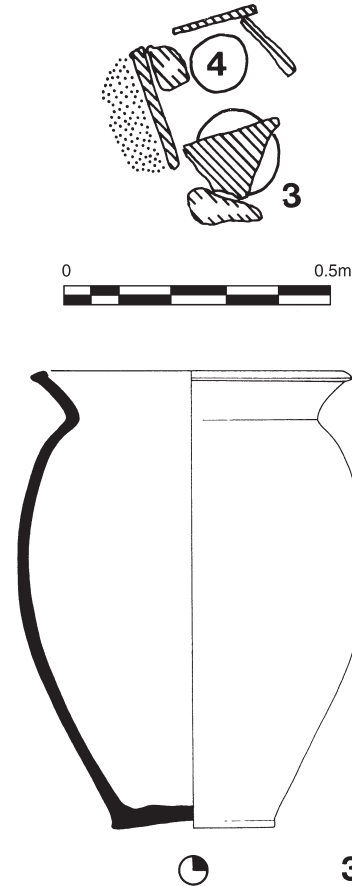


FIG. 4.148 Plan and grave goods from urned cremation burial 180.

1mm, present dimensions 25 x 23mm, perforation diameter *c.* 6mm. Other blue bead fragments recorded but not now identifiable.

?Grave goods

- 2 B01. Wt. 300g. BE 64 (BC/MH). Sherd from the base to girth of a BB1 jar with obtuse lattice zone with groove above, heavily sooted. *c.* A.D. 240+.

Finds of uncertain status

- 3* Composite; ring. Fragmentary iron ring with pair of spiral wound bands of copper-alloy inlay. One terminal pierced, other missing. Diameter 40mm.

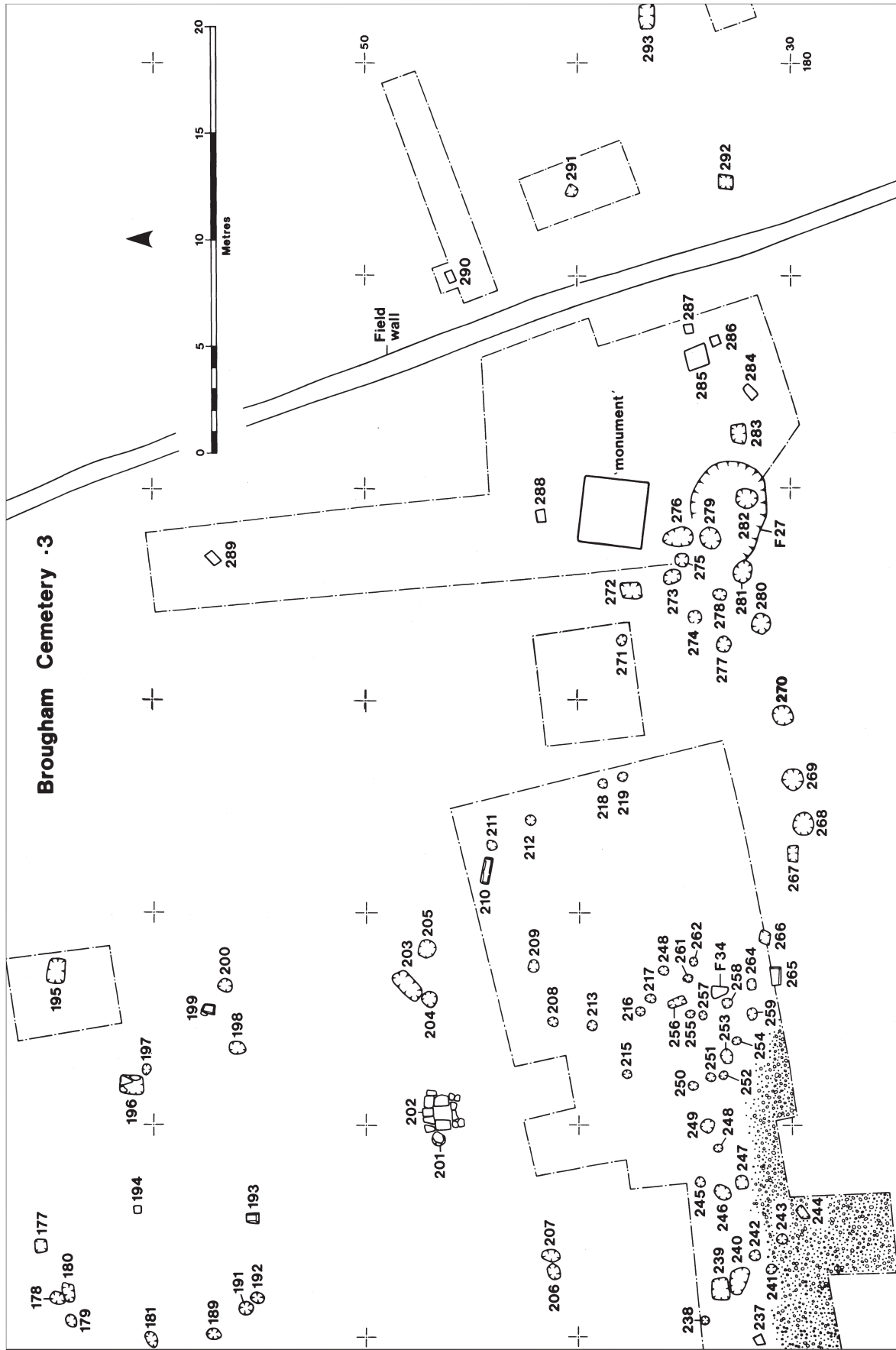


FIG. 4.149 Site plan 3.

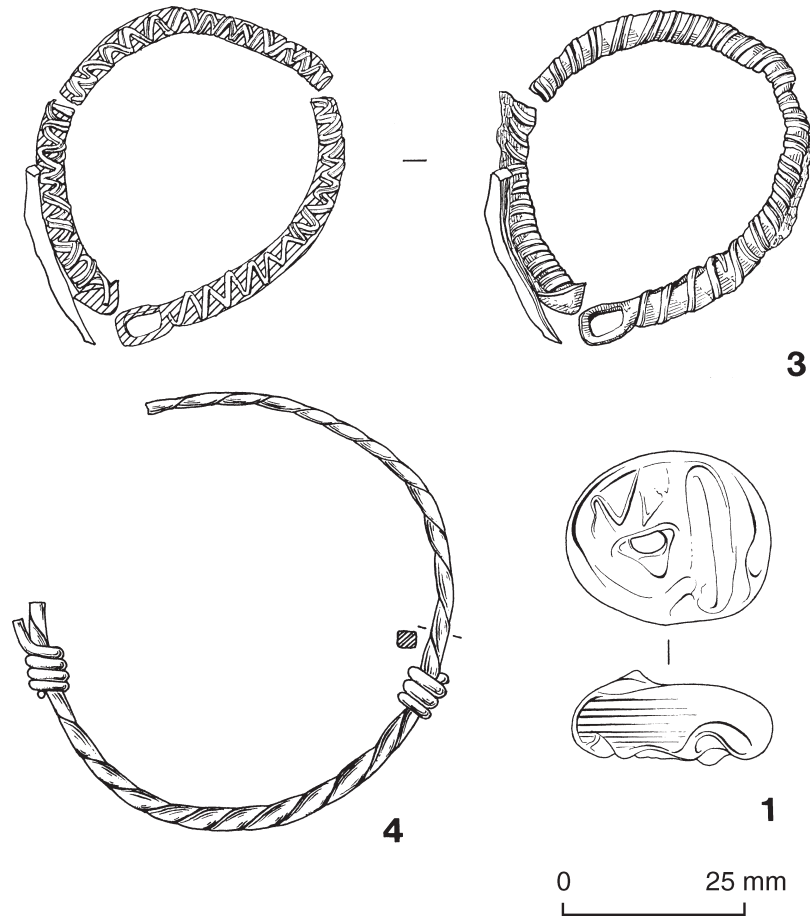


FIG. 4.150 Pyre and other finds from possible urned cremation 181.

- 4* Copper alloy; bracelet. Torc-twisted expanding. Late third to fourth-century.
 5 Copper alloy; coin, illegible.
 6 F03. Wt. 1g. A Nene Valley colour-coated ware bodysherd. *c.* A.D. 160/170+.

Interpretation Probably urned cremation, redeposited pyre debris present. NB Bracelet (4) may indicate that the deposit belongs to Phase 3.

183 1967/222 PHASE 1

Plan FIG. 4.93; details FIG. 4.151.

Description Sub-square pit with extension in NW corner, size not stated. Fill: 'very black', cremated bones from (5), only a sample collected; pottery fragments (2-4) also from within (5).

Cremated human bone Juvenile (7-10 years); unsexed. Wt. 64.7g.

Charcoal Hazelnut.

Pyre goods

- 1 Iron; nail (6 including 5 fragments).
 2 B01. Wt. 3g. RE 7 (BC/NZ). A very burnt BB1 jar rim fragment. Hadrianic to mid fourth-century.

- 3 G01. Wt. 10g. (BC/NZ). Two burnt bodysherds. Perhaps later third to fourth-century.
 4 R10. Wt. 100g. BE 43 (BC/NZ). A greyware jar base fragment.

Grave goods

- 5* ?R08. Wt. 600g. RE 57, BE 87 (BC/NY). Much of a greyware jar, dark grey slipped, with fairly strongly everted rim and acute lattice decoration on the body. Despite the lattice type this is probably of early third-century date, the northern greyware copies may continue acute lattice rather later than real BB1. There seems to be some light burning on one side, some slight sooting.

Interpretation Urned cremation burial with redeposited pyre debris.

184 1967/221 PHASE 1

Plan FIG. 4.93; details FIG. 4.152; see also FIG. 3.8.

Description Pit edge not defined. Vessels placed to E of large erratic surrounded by light-brown sandy soil. Cremated bones from (1).

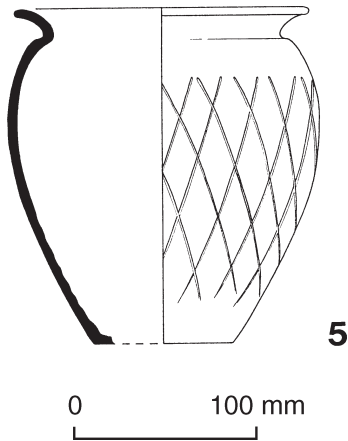


FIG. 4.151 Urn from urned cremation burial 183.

Cremated human bone Infant–juvenile (0.5–6 years); unsexed. Wt. 0.5g.

Grave goods

- 1* B01. Wt. 435g. BE 100 (BC/NU). Fragments comprising part of the profile of a BB1 jar with obtuse lattice zone (without groove). Third to mid fourth-century.
- 2* F01. Wt. 80g. RE 64, BE 100 (BC/NT). Most of a tall-necked indented Trier Rhenish beaker. Cf. Gillam (1970) type 46, A.D. 220–260. c. A.D. 200–260.

Interpretation Urned cremation burial or special vessel deposit.

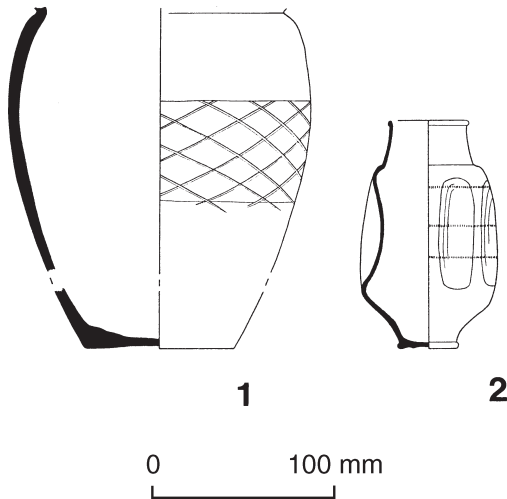


FIG. 4.152 Grave goods from urned cremation burial 184.

185 1967/184 PHASE 2

Plan FIG. 4.93; details FIG. 4.153.

Description Pit edge not defined. Cremated bone from (1), jar wedged by stones at base.

Cremated human bone Juvenile–subadult (5–18 years); unsexed. Wt. 6.1g. Iron staining on long bone.

Grave goods

- 1* B01. Wt. 950g. RE 75, BE 21 (BC/NT). A BB1 jar, complete except for the base, with everted rim of lesser diameter than the maximum girth, with obtuse lattice zone with groove above, exterior sooted. Cf. Gillam (1976) nos 7–8, early to mid third-century. c. A.D. 240–270.

Interpretation Urned cremation burial.

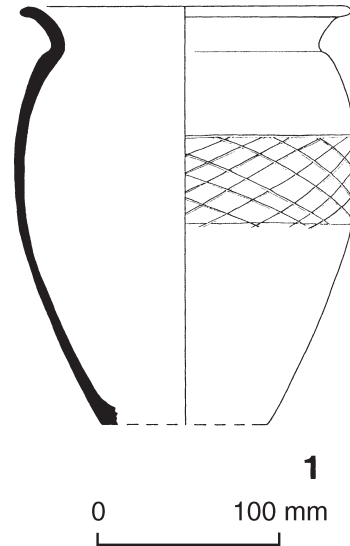


FIG. 4.153 Urn from urned cremation burial 185.

186 1967/245 PHASE 2

Plan FIG. 4.91; details FIG. 4.154.

Description Rectangular cist with sandstone capping stone (0.51 x 0.42m; major axis W/E). Fill: dark brown. Cremated bones from (5), (6 and 7) dishes stacked inside each other, exact location of (5) and glass vessels (8 and 9) within cist not stated.

Cremated human bone Adult (18–100 years); unsexed. Wt. 24g.

Charcoal *Betula* sp. (*).

Pyre goods

- 1 Copper alloy; sheet, folded fragment.
- 2 Copper alloy; strip.
- 3 Iron; nail (3).
- 4 Bone; bead. Diameter 18mm, L. 10mm.

Grave goods

- 5* B01. Wt. 875g. RE 40, BE 100 (BC/OY). A BB1 jar with everted rim the diameter of which does not exceed the maximum girth with obtuse lattice zone on the girth (no groove). The rim and several girth sherds are heavily burnt and the rim is sooted. Cf. Gillam (1976) no. 8, mid third-century. Possibly c. A.D. 230–260.

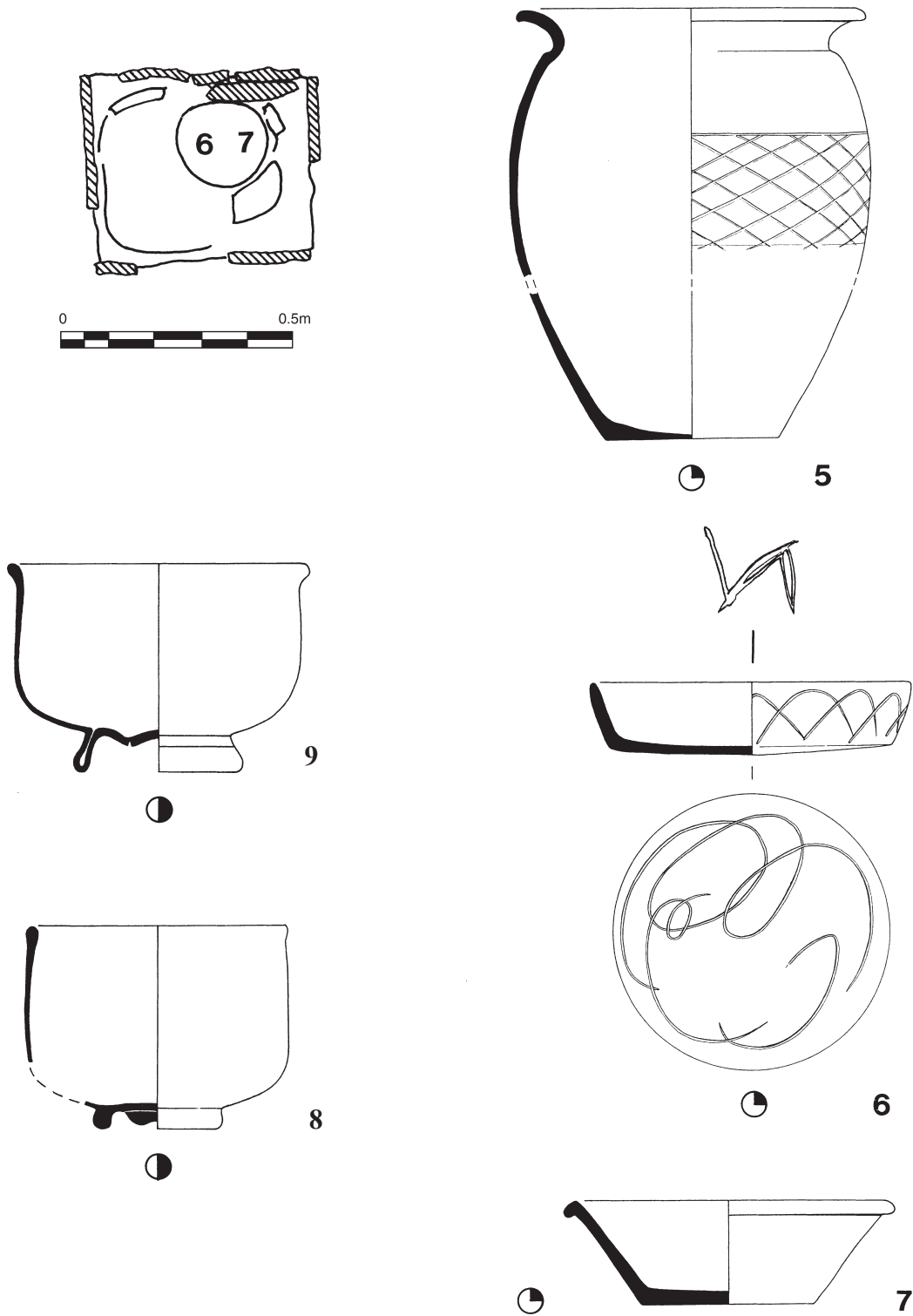


FIG. 4.154 Plan and grave goods from urned cremation burial 186.

- 6* B01. Wt. 560g. RE 100, BE 100 (?BC/OZ). A complete BB1 simple-rimmed dish with intersecting arc decoration on the wall and intersecting circles on the base, sooted. In the centre of the base is a heavily incised graffito 'N' retrograde. A.D. 180–350.
- 7* R03. Wt. 580g. RE 84, BE 100 (BC/OZ). A nearly complete BB2-copy dish with beaded

- undercut rim, interior and exterior burnished. Probably later second to mid third-century.
- 8* Glass; cylindrical cup in 25 fragments with large parts of lower body missing. Very pale green-tinged colourless; small bubbles; a few streaky green impurities; much strain-cracking. Vertical rim, edge fire-thickened;

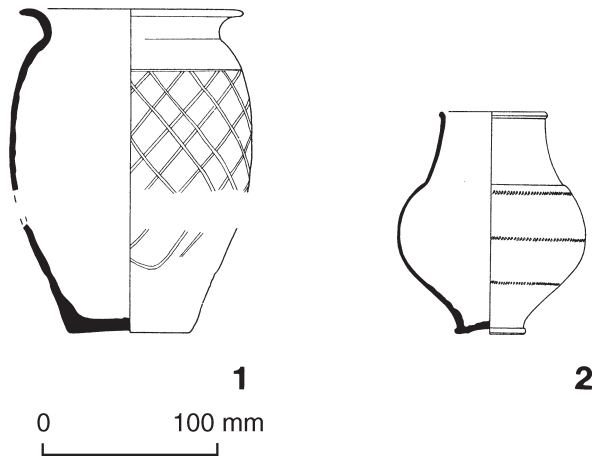


FIG. 4.155 Vessels from vessel deposit 187.

straight side with carination to wide lower body; solid pushed-in base ring; flat base with solid blob (central part missing) applied to underside with pontil scar. Heavy wear on base ring and outer edge of rim. Minimum Ht. 50mm, rim diameter 75mm, base diameter 39mm, wall thickness 1mm. Later second to mid third-century.

- 9* Glass; cylindrical cup in *c.* 120 fragments. Blue/green small bubbles; black impurity in rim and streaky greenish one in base. Slightly out-turned rim, edge fire-thickened; straight side with rounded carination to convex-curved lower body; tubular pushed-in base ring tooled to form high foot-stand; base concave at centre then convex with central domed kick. Circular pontil scar. Vessel slightly asymmetrical especially over angle of lower body. Ht. 63mm, rim diameter 90mm, base diameter 51mm, wall thickness 1mm, pontil scar diameter 13mm. Previously published as Cool 1990, fig. 2.7. Third-century. NB This vessel can only be attributed to this burial with caution. It is labelled as coming both from this burial and from a context that would be an unstratified surface find.

Interpretation Urned cremation burial, possibly with redeposited pyre debris in fill.

187 1967/AB2 PHASE 3

Plan FIG. 4.93; details FIG. 4.155.

Description Shallow pit (diameter 0.3m, depth 0.2m). Fill: no traces of 'black soil', bone or other evidence of cremated material. NB Found by J.D. Dagg after final machine cleaning of site who recorded contents as being crushed by this process.

Grave goods

- 1* R15. Wt. 450g. RE 79, BE 100. A greyware BB-copy jar with everted rim of smaller diameter than the maximum girth with an acute lattice zone on the wall. Cf. Gillam (1976) no. 8, mid third-century. *c.* A.D. 180–260.
- 2* FO1. Wt. 105g. RE 71, BE 100. Most of a necked globular Trier Rhenish ware beaker, *c.* A.D. 200–260.

Interpretation Vessel deposit or 'memorial'.

188 1967/272 UNPHASED

Plan FIG. 4.93.

Description Records limited. Small pit. Fill: dark brown. Cremated bones from (1) which is described as covered by sandstone slab.

Cremated human bone Infant–juvenile (3–6 years); unsexed. Wt. 76.7g.

Grave goods

- 1 B01. Wt. 80g. RE 2 (BC/QZ). Twenty-two BB1 jar bodysherds including one rim fragment. Hadrianic to mid fourth-century.

Interpretation Urned cremated burial.

189 1967/268 PHASE 2

Plan FIGS 4.93, 4.149; details FIG. 4.156.

Description Extent of pit not defined, deposit close to large erratic. Vessels recovered from 'disturbed brown soil', only lower parts of vessels extant suggesting truncated by machine or plough. Cremated bone probably from (1).

Cremated human bone Infant (0.5–4 years); unsexed. Wt. 1.2g.

Grave goods

- 1* F02. Wt. 110g. BE 100 (BC/PZ). The lower half of a globular beaker in a heavily fired oxidised fabric. The girth is decorated with alternating slit folds and dimples. Cf. Howe *et al.* (1980) no. 52, fourth century; Gillam (1970) types 52 and 54, A.D. 250–300.
- 2* Glass; spherical flask; body and base in 33 fragments; all of neck and rim and parts of base and body missing. Blue/green; many bubbles, some large; streaky surfaces. Globular body tooled at junction with narrow neck; concave base. Heavy wear on base. Present Ht. 103mm, base diameter 51mm, neck diameter *c.* 20mm, wall thickness 1mm. Mid third to early fourth-century.

Interpretation Urned cremation burial.

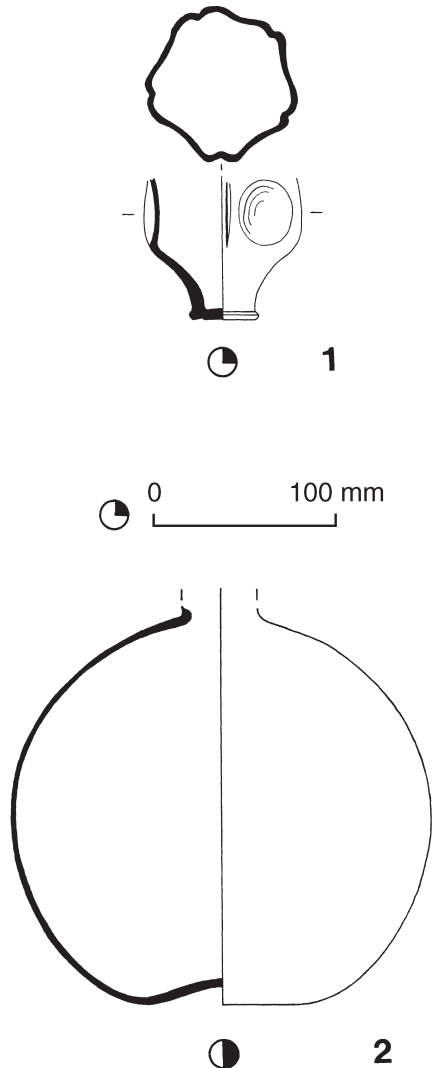


FIG. 4.156 Grave goods from urned cremation burial 189.

191 1967/269 PHASE 3

Plan FIGS 4.93, 4.149; details FIG. 4.157.

Description Extent of pit not defined, covered by sandstone slab (slab 0.48 x 0.4m; major axis N/S). Fill: dark brown, vessels wedged by stones. Cremated bones from (4).

Cremated human bone Adult (30–45 years); female. Wt. 197.2g (including 9.8g worked bone). Pathology: abscess – maxillary endosteal new bone – radius. (Copper-alloy staining distal femur).

Pyre goods

- 1 Iron; nail.
- 2 Iron; nail shank from cremated bone.
- 3 Bone veneer types: A1; A5.3.

Grave goods

- 4 B01. Wt. 610g. RE 36, BE 17 (BC/QO). Six rimsherds, three base sherds and numerous bodysherds from a BB1 jar with a strongly everted rim, perhaps of greater diameter than the maximum girth with an obtuse lattice zone on the girth with a groove above, exterior sooted. Cf. Gillam (1976) nos 12–14, early to mid fourth-century. Perhaps c. A.D. 270–350.
- 5* F01. Wt. 160g. RE 60, BE 100 (BC/QM). A globular-necked beaker in Trier Rhenish ware. Cf. Gillam (1970) type 44, A.D. 190–240. c. A.D. 200–260.
- 6* S20. Wt. 975g. RE 61, BE 100 (BC/QL). Twenty-two fragments (including S8 see p. 258) join to give most of a large form 37 stamped *SERV*M retrograde among the decoration. This is a stamp of Servus iv of

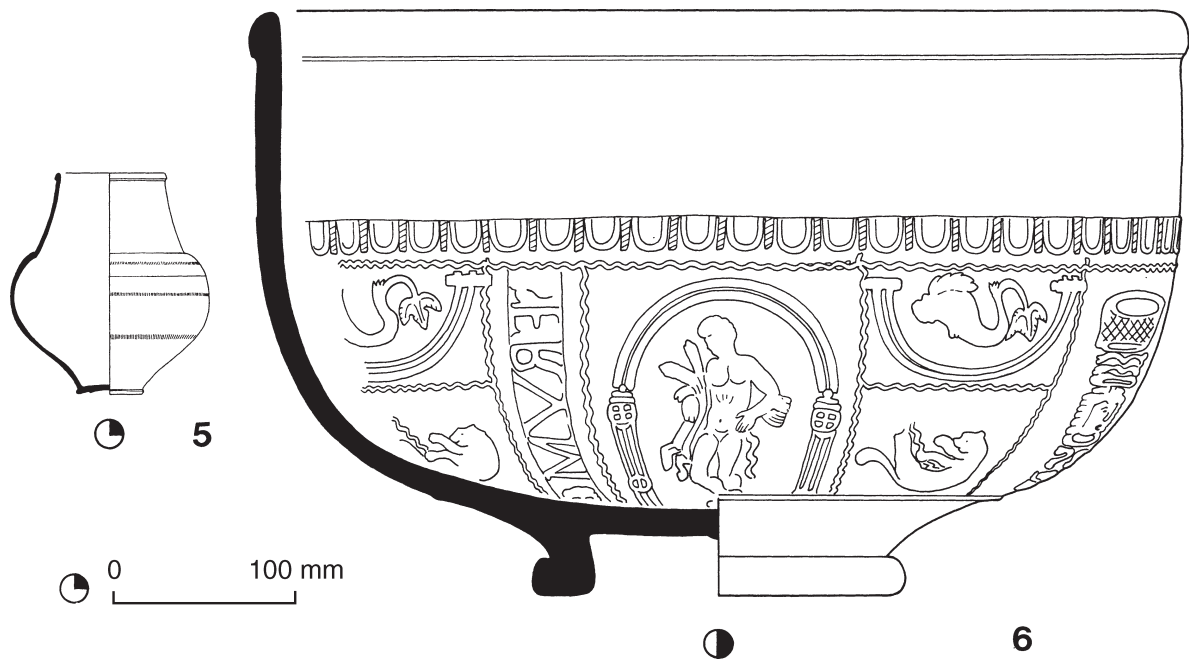


FIG. 4.157 Grave goods from urned cremation burial 191.

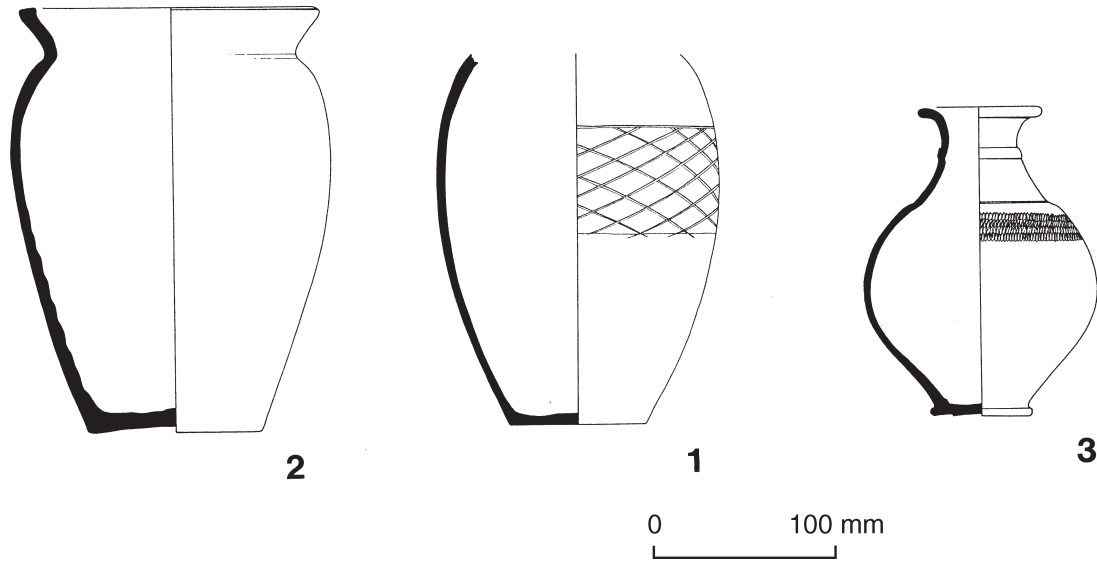


FIG. 4.158 Grave goods from urned cremation burial 192.

Lezoux (Rogers's Servus II) from Die 1b. The spacious design is repeated four times round the bowl and each quarter is divided into four panels, showing from left to right: ia) dolphin (D.1052/O.2393); ib) panther (D.964/O.1572), upside down and impaled on a length of wavy line, as if by a spear; ic) a large composite motif with a basket over entwined dolphins similar to those on an unpublished Servus bowl from Lezoux, over a mask (D.683/O.1293), above a pair of dolphins on a basket (a smaller version of Rogers Q1 or Q2). ii) Apollo (O.56 variant) within an arcade supported on each side by a tripod used by Servus (Rogers Q16). In one quarter of the decoration the composite motif in panel ic) has been replaced by the potter's stamp, with a mask to the left (possibly D.712/O.1216), used as a space-filler. The ovolo (Rogers B27) is badly blurred and there is an element of smudging on various other parts of the decoration, as if the bowl had been too hastily removed from the mould. The footring is well worn. The distribution of Servus iv's work in the north of Britain (*cf.* Hartley 1972, 33) is consistent with activity within the period A.D. 175–200. (Complete on excavation, now one-third is missing.)

Finds of uncertain status

- 7 B01. Wt. 95g. RE 28. Two rimsherds from a large BB1 jar with an everted rim, sooted, the rim diameter being less than the maximum girth. *Cf.* Gillam (1976) no. 8, mid third-century. Perhaps *c.* A.D. 240–270.
- 8 B01. Wt. 58g. RE 40. Four rimsherds from a BB1 jar with everted rim. Perhaps the rim

- diameter would be less than the maximum girth. *Cf.* Gillam (1976) nos 7–9, third-century. Perhaps *c.* A.D. 200/220–270. Also 31 BB1 bodysherds from one of the above perhaps, some with obtuse lattice zone with groove above, and therefore *c.* A.D. 240+.
- 9 O01. Wt. 5g. RE 7. A rim fragment and a neck fragment from an everted rimmed jar. Perhaps second to third-century.
- 10 ?R03. Wt. 36g. Six sherds from the shoulder of a greyware jar.

Interpretation Urned cremation burial.

192 1967/274 PHASE 3

Plan FIGS 4.93, 4.149; details FIG. 4.158.

Description Extent of pit not defined. Fill: dark brown. Jars (2) and (3) placed close together. Jar (1) placed *c.* 0.2m away. Excavator was uncertain as to whether they formed part of same burial. Cremated bone from (1) and (2).

Cremated human bone Two separate groups from two separate cremations. (i) from jar (1), (ii) from jar (2).

- (i) Adult (30–40 years); male. Wt. 255.6. Pathology: exo – patella.
- (ii) Adult (40–55 years); female? Wt. 166.7g (including 0.2g animal bone). Pathology: oa – left temporo-mandibular; pitting – rib facet; op – T/L body.

Cremated animal bone Domestic chicken.

Grave goods

- 1* B01. Wt. 425g. BE 77 (BC/QY). Sherds giving the profile of a BB1 jar from neck to base, all burnt brown, with obtuse lattice zone on the girth with a groove above. *c.* A.D. 240+.

- 2* G05. Wt. 800g. RE 87, BE 100 (BC/QW). A largely complete, lid-seated, gritted-ware jar. Possibly a Catterick product. Later third to fourth-century.
- 3* F02. Wt. 350g. RE 50, BE 100 (BC/QX). A globular constricted-necked jar in Nene Valley colour-coated ware with everted horizontal rim and cordoned neck. There is a small hole in the shoulder which seems to have been deliberately made before burial. Perhaps third to fourth-century.

Finds of uncertain status

- 4 B01. Wt. 8g. (BC/QY). A BB1 shoulder sherd, probably from a different vessel to (1) above.
- 5 B01. Wt. 34g. (BC/QW). A BB1 jar shoulder bodysherd with obtuse lattice zone on the girth with a groove above. *c.* A.D. 240+.
- 6 G02. Wt. 140g. RE 18 (BC/QW). An East Yorkshire calcite-gritted ware Knapton-type jar rim fragment. Third-century.

Interpretation Urned double cremation burial.

193 1967/246 UNPHASED

Plan FIG. 4.149.

Description Slightly trapezoidal cist of sandstone slabs (0.53 x 0.5m; major axis N/S). Fill: brown. Pottery (1–2) in NE corner.

Pyre goods

- 1 B01. Wt. 78g. BE 100. Five BB1 bodysherds and three base sherds forming the base of a jar, burnt.

Finds of uncertain status

- 2 F02. Wt. 15g. Three Nene Valley colour-coated ware bodysherds, *c.* A.D. 160/170+.

Interpretation Uncertain.

194 1967/AB5 PHASE 1

Plan FIG. 4.149; details FIG. 4.159.

Description Capped square cist (0.30 x 0.28m, 0.41m deep), capping stone 0.3m below surface and soil above it described as 'brownish black' possibly indicating presence of pyre debris. Fill: brown sandy soil. Jug (4) in NW corner, (6) in NE corner, (7) in SE corner, 'meat bone' placed on (6) and extending full length of cist. Cremated bone and pyre goods placed in SW corner.

Cremated human bone Adult (20–40 years); female?? Wt. 484.9g (including glass fused to long bone fragments, 102.9g animal bone and 5g worked bone. Oyster shell found amongst cremated bone.

Cremated animal bone Horse; cattle; sheep/goat.

Pyre goods

- 1 Iron; fragment.
- 2* Bone veneer types: A1.1 (FIG. 4.159, no. 2i); A5.1 (FIG. 4.159, nos 2b–c), A5.4 (FIG. 4.159, nos 2a, 2d, 2f); A7.2 (FIG. 4.159, nos 2g–h); F (FIG. 4.159, no. 2e).
- 3* Bone: scabbard slide. Third century, *cf.* Chapman 1976. L. 86mm, W. 9mm.

Grave goods

- 4* ?R07. Wt. 800g. RE 100, BE 100. A complete jug, missing its handle.
- 5* F01. Wt. 73g. RE 80, BE 100. A small motto beaker in Trier Rhenish ware of necked globular form. The motto is 'TVDA'. Complete apart from a chip from the rim (FIG. 11.7). *Cf.* Gillam (1970) type 45, A.D. 190–250. *c.* A.D. 200–260.
- 6 Samian. Form 31 – missing.
- 7 Glass vessel – missing.
- 8 Joint of meat – missing.

Interpretation Urned cremation.

195 1966/12 UNPHASED

Plan FIG. 4.149; details FIG. 4.160.

Description Records limited. Shallow square pit, probably truncated by ploughing. Cremated bones described as being in 'broken pot'.

Cremated human bone Adult (18–100 years); male?? Wt. 282g (including 6g animal bone and 5.5g worked bone).

Cremated animal bone Unidentified.

Pyre goods

- 1 Copper alloy; ring fragments – missing.
- 2* Bone veneer types: A1 (FIG. 4.160, no. 2i); A2.1 (FIG. 4.160, no. 2c); A4.1; A4.2 (FIG. 4.160, nos 2a–b); A7.1 (FIG. 4.160, nos 2f, 2g, 2h); B2.2 (FIG. 4.160, no. 2e); D1.1; E2.1 (FIG. 4.160, no. 2d).
- 3 Antler; plug fragment.

Grave goods

- 4 Broken pottery vessel, not now identifiable.

Interpretation Urned cremation burial.

196 1967/197 UNPHASED

Plan FIG. 4.149; details FIGS 4.161, 4.162.

Description Sub-square pit with sandstone capping slabs partially displaced into fill, probably by machine (1.05 x 0.84m; major axis N/S). Fill: single sandstone slab in western part of pit probably deliberately placed, light-brown fill (layer 1) in most of pit other than an area of dense black fill (layer 2) occupying area between pit wall and slab in NW corner. Relationships: a linear

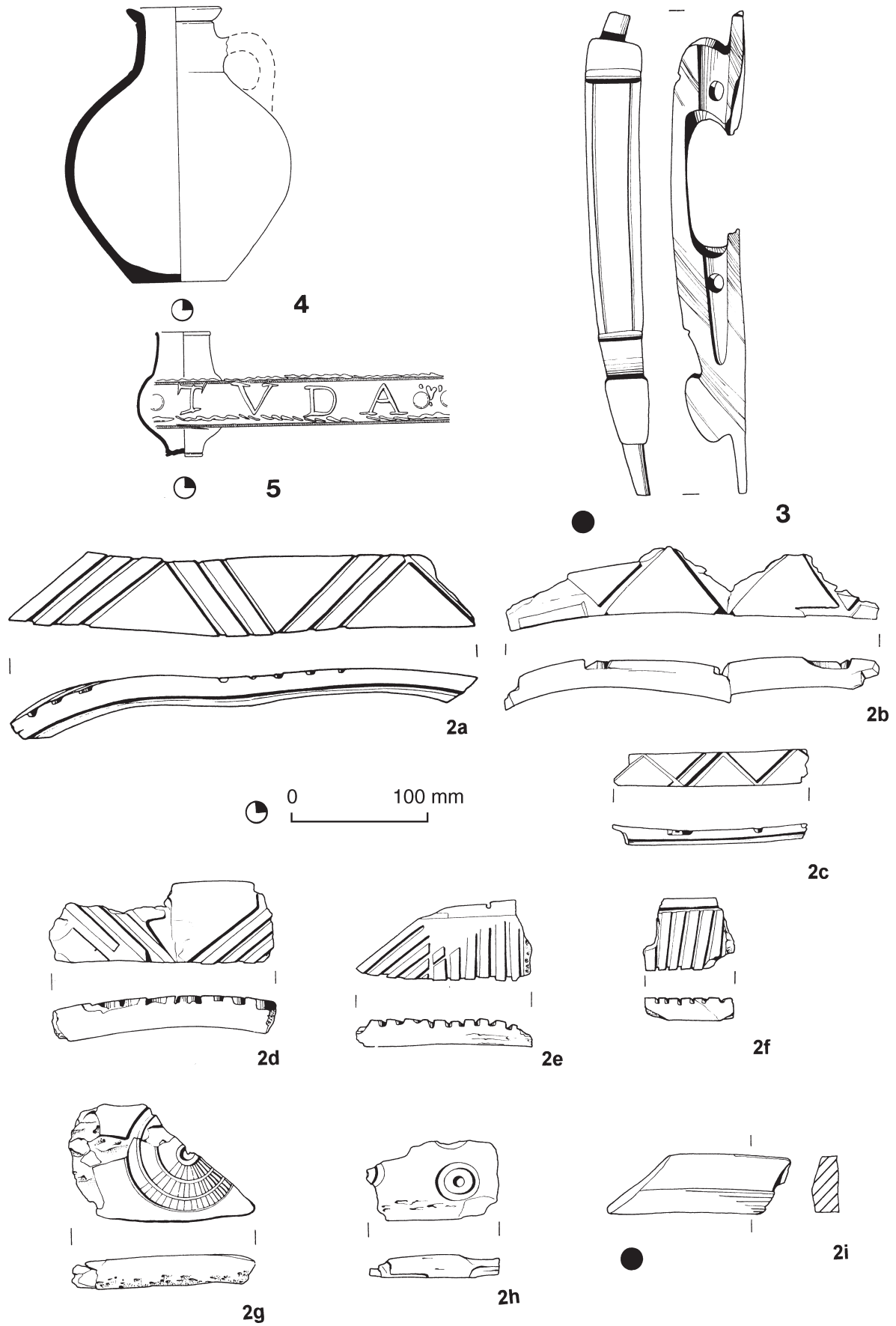


FIG. 4.159 Pyre and grave goods from unurned cremation burial 194.

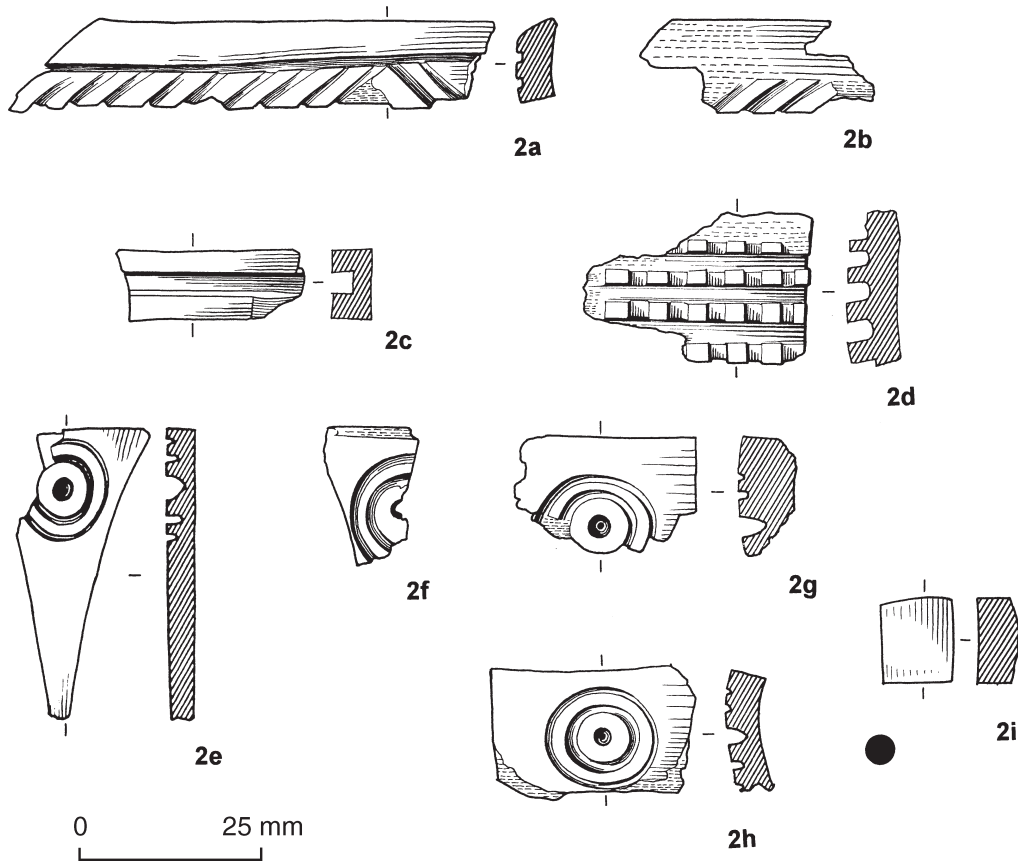


FIG. 4.160 Pyre goods from urned cremation burial 195.

feature in NE (layer 3) interpreted as a robber trench but pit appears to cut it. Feature not fully defined or excavated. No cremated bone found in (7). Found during final machine cleaning.

Cremated human bone Two groups. (i) from layer 1, (ii) from layer 2.

- (i) Adult (18–100 years); unsexed. Wt. 13.7g (including 0.1g worked bone).
- (ii) Adult (18–100 years); unsexed. Wt. 13.6g (including 1.9g worked bone). Bone heavily charcoal-stained.

Pyre goods

- 1 Copper alloy; sheet fragments (4) one riveted; also one heat-distorted fragment.
- 2 Iron; nail (23 including fragments), layer 1.
- 3 Iron; nail, layer 2.
- 4 Iron; nail (1 plus fragments), layer 3.
- 5* Bone veneer types: A5.4; B2.1.
- 6 Glass; beads. Three fused blue beads recorded from layer 1, not now identifiable.

Finds of uncertain status

- 7* R11. Wt. 650g. RE 100, BE 100 (BC/MI). A jar with an everted rim and two loop handles, slightly countersunk with a band of vertical burnished lines below these. The fabric is hard with common moderate sand and is not in the Crambeck range. Despite

the slight countersinking of the handles this is more likely a Holme upon Spalding Moor vessel. For a very similar example, including the slightly countersunk handles, see Corder and Sheppard 1930, 2. Later third to fourth-century.

Finds of uncertain status

- 8 O01. Wt. 2g. (BC/MI). An oxidised bodysherd.
- 9 F03. Wt. 3g. (BC/MI). A Nene Valley colour-coated ware hunt cup bodysherd. Later second to mid third-century.

Interpretation Redeposited pyre debris with complete vessel.

197 1967/219 PHASE 2

Plan FIG. 4.149; details FIG. 4.163.

Description Oval pit (0.5 x 0.35m; major axis W/E). Fill: light brown to E and W, area around (3) black. Jar (3) contained cremated bone and was covered by small sandstone slab.

Cremated human bone Infant (3–4 years); unsexed. Wt. 19.8g.

Pyre goods

- 1 Iron; nail fragment, probably in cremation urn.

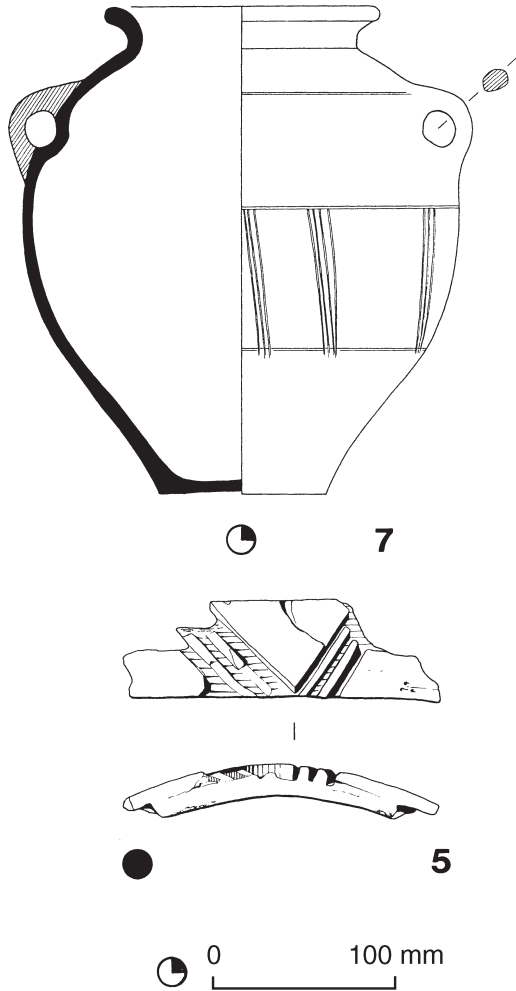


FIG. 4.161 Finds from pyre debris deposit 196.

- 2* B01. Wt. 77g. RE 11 (BC/NI). A BB1 jar rimsherd, slightly burnt, and three burnt bodysherds, possibly from the same vessel, sooted. Cf. Gillam (1976) nos 8–9, mid to later third-century. The bodysherds have an obtuse lattice zone and groove above this. c. A.D. 250–300.

Grave goods

- 3* B01. Wt. 400g. RE 5, BE 100 (BC/NI). A rimsherd with an everted rising rim and most of the profile of a BB1 jar (in a rather finer fabric than is usual), decorated with an obtuse lattice zone (without groove). Cf. Gillam (1976) nos 7–9, third-century. Probably c. A.D. 200/220–260.

Interpretation Urned cremation burial, possibly with redeposited pyre debris in fill.

198 1967/199 UNPHASED

Plan FIG. 4.149; details FIGS 4.164, 4.165, 4.166.

Description Shallow oval pit half-sectioned on site and southern half lifted entire (0.7 x 0.65m; major

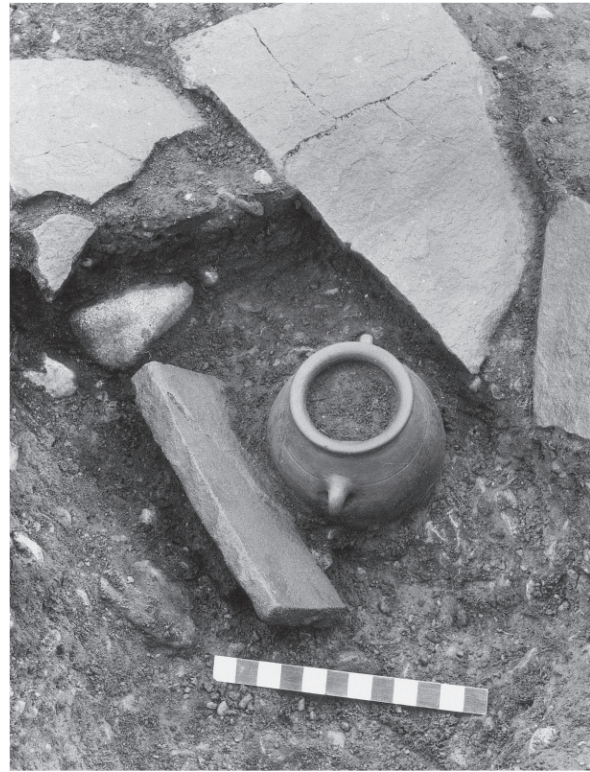


FIG. 4.162 View of deposit 196; scale in inches.

axis N/S). Fill: originally described as 'jet black'. Southern half excavated in controlled conditions from base up (see p. 305 and FIG. 4.164). Level 1: removal of loose material. Level 2: loose soil matrix of compact reddish brown silty clay with c. 5% sub-rounded stones and occasional charcoal flecks. Level 3: compact reddish brown silty clay with occasional charcoal flecks. Levels 4–7: dense charcoal with cremated bone and artefactual bone, with compact reddish brown silty clay centrally (Level 5a) in SW.

Cremated human bone Adult (18–100 years); unsexed. Wt. 603.2g (including 5.9g animal and 298.1g worked bone).

Cremated animal bone Sheep/goat, dog, domestic chicken.

Charcoal See TABLE 4.2.

Pyre goods

- 1 Composite; edge of worked bone roundel with hobnail corroded to it, L6 E.
- 2* Copper alloy; cauldron rim fragments (4); rim fragments (3), excavated 1967.
- 3 Copper alloy; shank, excavated 1967.
- 4 Copper alloy; riveted sheet fragments, excavated 1967.
- 5 Copper alloy; stud, excavated 1967.
- 6 Copper alloy; fragments from L1 W, L2 NE, L3 NW, L4 NE, L4 SE, L5 A, L6 A, L6 B, L6 D and L6 E, and 13 from half of deposit excavated in 1967 including riveted sheet and molten material.

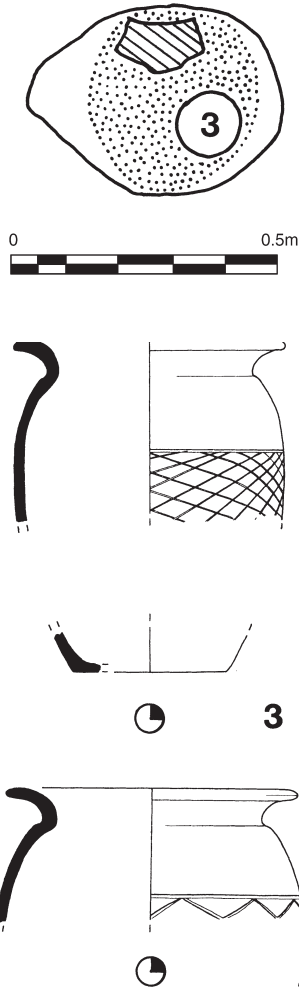


FIG. 4.163 Plan and urn from urned cremation 197.

- 7 Iron; knife shoulder plate. L. 16mm, L6 A.
- 8 Iron; 130 hobnails. From L1 E (10); L1 W (2); L2 NE (6); L2 NW (1); L2 SE (3); L2 SW (3); L3 SW (4); L3 NE (2); L3 NW (1); L4 NE (5); L4 SE (3); L4 SW (1); L5 A (5); L5 C (2); L6 A (5); L6 B (4); L6 C (10); L6 D (16); L6 F (3); remainder excavated 1967.

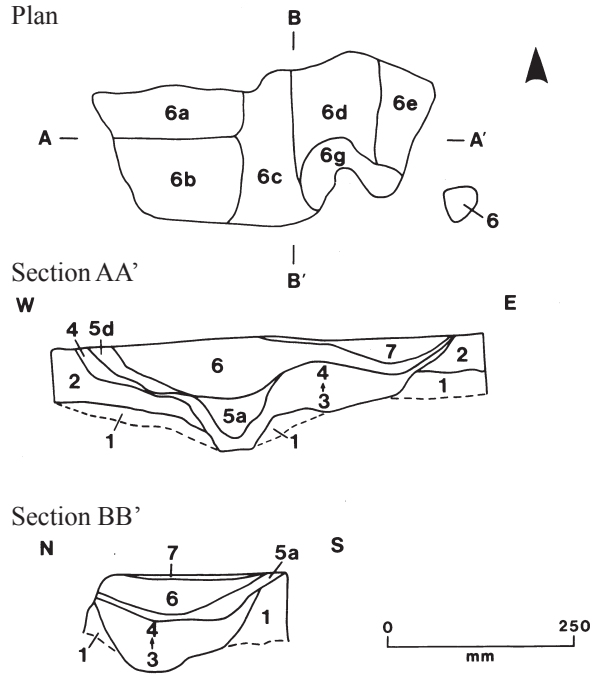


FIG. 4.164 Plan and section of pyre debris deposit 198 excavated in 2000.

- 9 Iron; 36 small nails. From L2 SE (2); L3 NW (2); L3 SW (2); L4 NE (6 burnt); L 6A (1); L 6D (11 burnt); L6E (7); L7 (1); plus 4 excavated 1967.
- 10 Iron; nails. From L1 E (5); L1 W (2); L2 SW (1); L4 SE (4); L4 NW (2); L5 C (2 burnt); L6 B (1); L6 C (2); plus 8 including fragments excavated 1967.
- 11* Bone veneer types: A1.1; A2.1; A4.1; A4.2 (FIG. 4.165, nos 11i-j); A4.4; A5.3 (FIGS 4.166, no. 11p; 4.166, no. 11u); A7.1 (FIG. 4.166, nos 11u-ag); A7.2; A7.3; A7.5 (FIG. 4.166, nos 11r-t); A7.6 (FIG. 4.166, nos 11af-g); A7.9; B1.1 (FIGS 4.165, nos 11k-l; 4.166, nos 11m-o, q); C2.1; E2.1 (FIG. 4.165, nos 11d-e); F (FIG. 4.165, nos 11a-c, 11f-g); G.

TABLE 4.2: CHARCOAL SAMPLE FROM 198

Taxon	>4mm fraction 50% no. of frags	Weight (g)	>2mm fraction 6.25% no. of frags	Weight (g)
<i>Betula</i> sp.	3	0.904	—	—
<i>Alnus</i> sp.	17	0.736	1	0.005
cf. <i>Alnus</i> sp.	1	0.032	5	0.066
<i>Corylus</i> sp.	1	0.042	—	—
<i>Populus/Salix</i> sp.	—	—	1	0.006
cf. <i>Populus/Salix</i> sp.	1	0.035	—	—
<i>Fraxinus</i> sp.	2	0.061	3	0.034
Indeterminate	1	0.046	2	0.015
Total	26	1.856	12	0.126

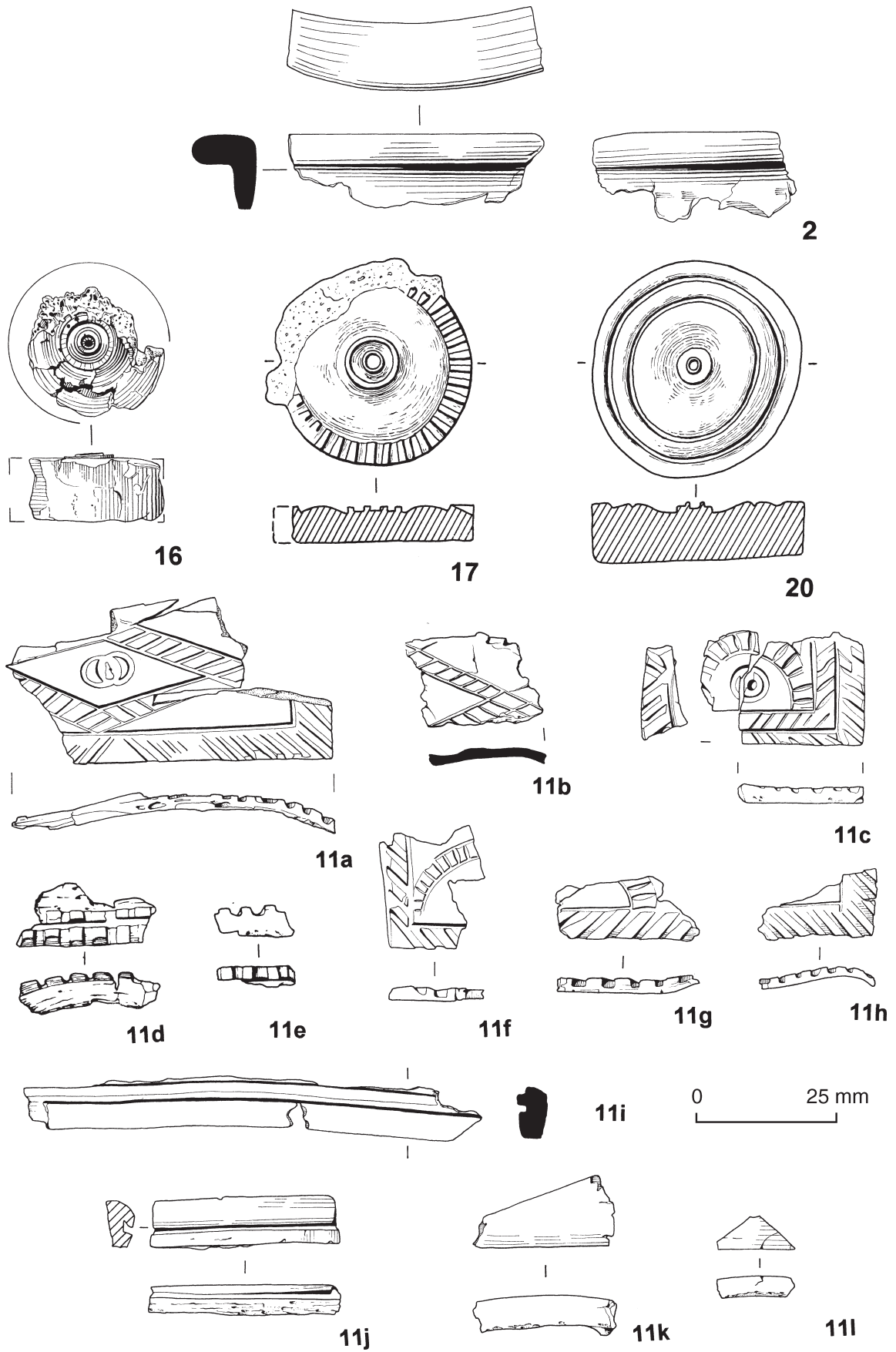


FIG. 4.165 Pyre goods from pyre debris deposit 198.

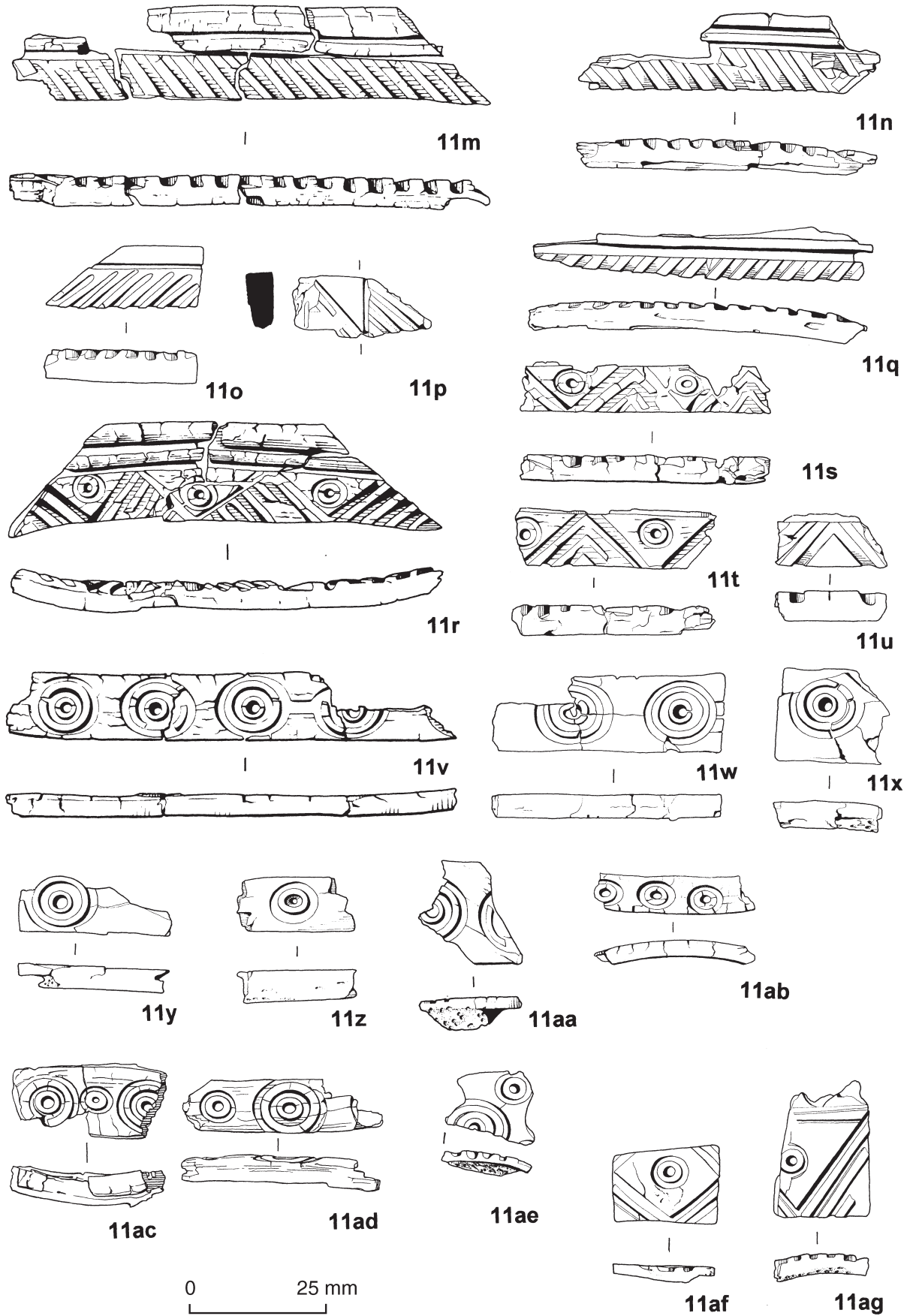


FIG. 4.166 Pyre goods from pyre debris deposit 198.

- 12 Bone; scabbard slide. Small fragment, L6 D.
 13 Bone; roundel. Edges of two with ring-and-dot decoration.
 14 Bone; handle. Two fragments with chevron design.
 15 Bone; three fragments of unidentified worked object.
 16* Antler; roundel fragment. Central ring-and-dot, plain border.
 17* Antler; roundel, almost complete. Central ring-and-dot with radial grooving around edge. Diameter 32mm, thickness 6mm.
 18 Antler; roundel fragment from edge of example as 17 (L6 E).
 19 Antler; roundel, complete. Ring-and-dot centrally and moulding around border.
 20* Antler; roundel; approximately two-thirds of roundel with double ring-and-dot centrally and broken bordering moulding. Diameter 35mm, thickness 11mm, L6 D.
 21 Antler; roundel, apparently complete as 19. Diameter 59mm, thickness 10mm (L4 NW). Possibly central part of an antler roundel pendant of Greep (1994) type 3.
 22 Antler; roundel, approximately half extant, central ring-and-dot and bordering moulding diameter *c.* 40mm, thickness 14mm, L4 NE.
 23 Antler; roundel fragments from examples with edge moulding, L6 D; L6 E.
 24 Antler; roundel fragment, decorated with ring-and-dot.
 25 Antler; roundel fragments, L4 NE, L6 B.
 26 Glass; vessel. Ten blue/green body fragments showing virtually no evidence of heat distortion. L1 W (1) L2 SE (2); L2 SW (1); L4 SW (1); L5C (1) L6B (1) L6C (2) L6E (4).
 27 Glass; vessel. *c.* 90g blue/green melted lumps including water-rounded lumps. L1E (9); L1 W (>1g); L2 SW (1g); L2 SE (1g); L3 NW (1g); L3 NE (3g); L3 SW (1g) L4 SE (12g); L4 NE (14g) L4 NW (1g); L5 A (2g); L6 A (1g); L6 C (12g); L6 D (21g); L6 E (9g); L7 (1g).
 28 Glass; blue/green, *c.* 200g. Majority melted into rounded lumps, trails and drops fused with cremated bone but includes 24 recognisable body fragments showing varying degrees of heat action. Body fragments convex-curved decorated with a zone of a minimum of six abraded horizontal bands. One fragment may be from edge of concave base showing evidence of wear. Dimension (largest fragment) 29 x 16mm, wall thickness 2mm. Excavated 1967.

Interpretation Redeposited pyre debris.

199 1967/185 UNPHASED

Plan FIG. 4.149; details FIG. 4.167.

Description Trapezoidal cist of three sandstone slabs, lacking slab on northern side, large erratic alongside north-western edge (0.57 x 0.46m; major axis N/S). Fill: light brown with occasional stone and some charcoal (discarded) 'inside grave' (layer 1). Layer 2 described as 'outside grave' and may be unstratified.

Cremated human bone Adult (18–100 years); unsexed. Wt. 3.5g.

Pyre goods

- 1 Glass; vessel. Blue/green body fragments (3) found in cremated bone.
- 2 S20. Wt. 5g. Three Central Gaulish scraps, two, burnt, from the same vessel. Second-century.

Finds of uncertain status

- 3 W02. Wt. 43g. (BC/ME, layer 1). Thirty-two bodysherds from a jar or beaker in Nene Valley parchment ware with red painted bands. Second to third-century.
- 4 B01. Wt. 5g. (BC/ME, layer 1). Three BB1 jar bodysherds, one with obtuse lattice decoration and sooted. Third to mid fourth-century.
- 5 ?R03. Wt. 13g. (BC/ME, layer 1). A greyware base bodysherd.
- 6 W02. Wt. 2g. (BC/MF, layer 2). A whiteware bodysherd.

Interpretation ?Redeposited pyre debris.

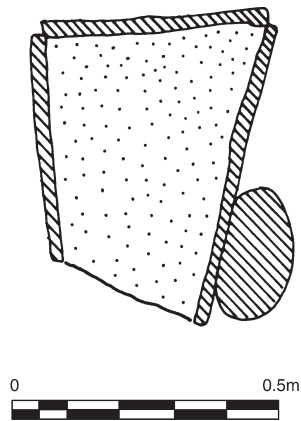


FIG. 4.167 Plan of possible pyre debris deposit 199.

200 1967/186 PHASE 1

Plan FIG. 4.149; details FIG. 4.168.

Description No pit identified. Vessels wedged in place by stones. Cremated bones from (1).

Cremated human bone Adult (18–100 years); male.
Wt. 107.2g.

Grave goods

1* B01. Wt. 17g. RE 16, BE 21 (BC/LU). Three BB1 jar rimsherds, two base sherds, 19 burnished wall sherds and ten obtuse lattice decorated sherds with a groove above, also one burnt bodysherd. All of these might be from the same vessel as the reconstructed drawing shows. Perhaps *c.* A.D. 270–300.

2* F03. Wt. 86g. RE 100, BE 100 (BC/MJ). A complete cornice-rimmed bag beaker. *Cf.* Howe *et al.* (1980) nos 26, 28–9 and 46, later second to mid third-century.

Finds of uncertain status

3 B01. Wt. 43g. RE 36 (BC/LU). Three

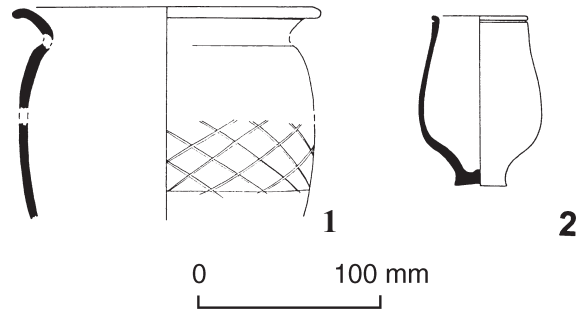


FIG. 4.168 Grave goods from urned cremation burial 200.

rimsherds from a BB1 jar, sooted. *Cf.* Gillam (1976) no. 7, early to mid third-century.

Interpretation Urned cremation burial.