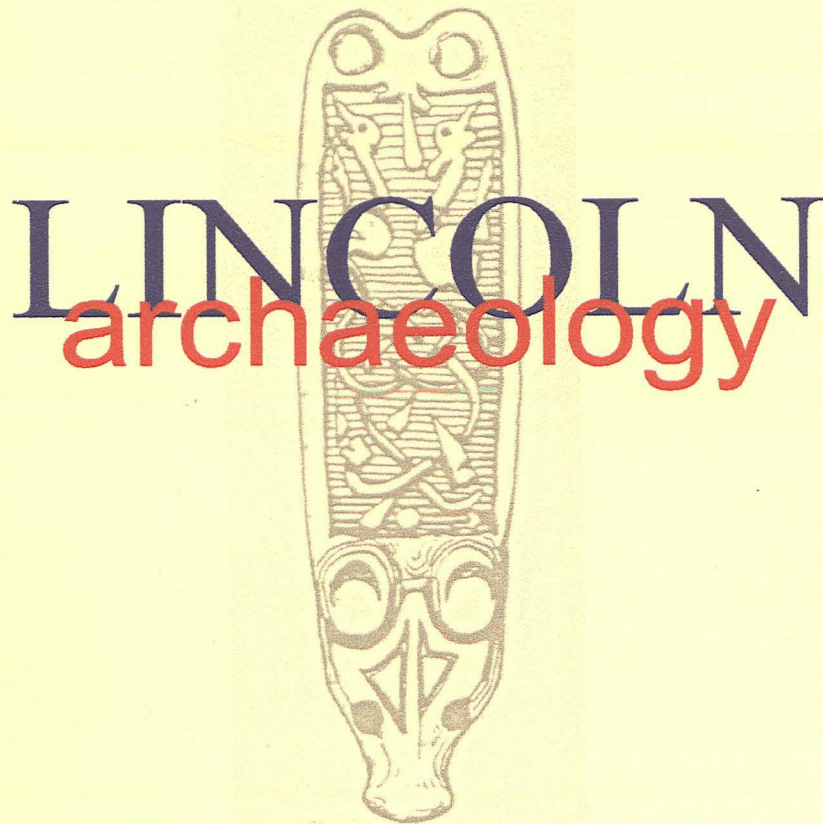


A Report to Alex Tate Construction

September 2000



Extension to Nutwood Cottage, Moat Lane, Old Bolingbroke, Lincolnshire

Archaeological Watching Brief

By R Trimble

Report No.: 443

LINCOLN
archaeology

Lincolnshire County Council
Archaeology Section
26. SEPT 02
arch 29/9/02

EGNT L11727
SOURCES L16492/6493

EXTENSION TO NUTWOOD COTTAGE, MOAT LANE, OLD BOLINGBROKE, LINCOLNSHIRE

Site Code: BOL00
LCCM Accession No.: 2000.210
Planning Application No.: S/018/00751/00
NGR: TF 35042 64058

35048 64958

Archaeological Watching Brief

<i>Contents</i>	<i>Page</i>
SUMMARY.....	1
1.0 INTRODUCTION.....	2
2.0 SITE LOCATION, TOPOGRAPHY & GEOLOGY.....	2
3.0 ARCHAEOLOGICAL & HISTORICAL BACKGROUND.....	2
4.0 AIMS & OBJECTIVES.....	2
5.0 METHODOLOGY.....	3
6.0 RESULTS.....	3
7.0 CONCLUSION.....	3
8.0 ACKNOWLEDGEMENTS.....	3
9.0 BIBLIOGRAPHY.....	3
10.0 LHA NOTE/ ARCHIVE DETAILS.....	4
10.1 Project Details.....	4
10.2 Archive Details.....	4
 <i>Colour plates</i>	
<i>Plate 1 - General view of work in progress (looking N.....</i>	<i>5</i>
<i>Plate 2 - View of Section 2 (1m scale, looking NE).....</i>	<i>5</i>

Illustrations

Fig.1 Location Map - Scale 1:50 000

Fig.2 Site Location Plan - Scale 1:2500

Fig.3 Location Plan - Scale 1:100

Fig.4 Section Drawings - Scale 1:20

EXTENSION TO NUTWOOD COTTAGE, MOAT LANE, OLD BOLINGBROKE, LINCOLNSHIRE

ARCHAEOLOGICAL WATCHING BRIEF

SUMMARY

This report describes the results of an Archaeological Watching Brief undertaken by the City of Lincoln Archaeology Unit (CLAU) during groundworks for an extension to Nutwood Cottage, Moat Lane, Old Bolingbroke, Lincolnshire. The work was commissioned by Alex Tate Construction in response to a condition of planning permission issued by East Lindsey District Council, and was completed on the 31.08.2000.

The watching brief located evidence for sediments (006 - possibly alluvial) extending below the lower limit of excavation (c. 1m deep), and for possible alluvium relating to a stream course to the west. A thick layer of garden or ploughsoil then extended across the site. Owing to the absence of associated and datable artefactual material the deposits cannot be dated. However, the project has produced a valuable record of the character of deposits in the area which will be used to inform future archaeological resource management decisions.

EXTENSION TO NUTWOOD COTTAGE, MOAT LANE, OLD BOLINGBROKE, LINCOLNSHIRE

ARCHAEOLOGICAL WATCHING BRIEF

1.0 INTRODUCTION

This report describes the results of an Archaeological Watching Brief undertaken by the City of Lincoln Archaeology Unit (CLAU) during groundworks for an extension to Nutwood Cottage, Moat Lane, Old Bolingbroke, Lincolnshire. The work was commissioned by Alex Tate Construction in response to a condition of planning permission issued by East Lindsey District Council, and was completed on the 31.08.2000.

The extension, which lies to the west of the present building encompasses an area of c.10m N-S x 3.5m E-W. Internal lowering of ground level was carried out to a maximum depth of c.500mm below existing ground level, with excavations to c.1m deep within the network of c.600mm wide foundation trenches.

The information in this document is presented with the proviso that further data may yet emerge. Lincoln City Council cannot, therefore, be held responsible for any loss, delay or damage, material or otherwise, arising out of this report. The document has been prepared in accordance with the Code of Conduct of the Institute of Field Archaeologists.

2.0 SITE LOCATION, TOPOGRAPHY & GEOLOGY (Figs 1, 2 & 3)

The village of Old Bolingbroke lies c. 10km south-east of Horncastle, in the administrative district of East Lindsey. Nutwood Cottage (~~NGR TF 35042 64058~~) is located in the western part of the village, at the foot of a south facing slope between a small stream and mill leat the west and east.

The village lies within the Lincolnshire Wolds - a belt of dissected chalk upland (Kent 1980, 4).

3.0 ARCHAEOLOGICAL & HISTORICAL BACKGROUND

Bolingbroke is mentioned as a market in the Domesday Book of 1086. The site is located immediately east of Bolingbroke Castle, and in close proximity to a medieval mill leat. Medieval pottery kilns have been recorded in Bolingbroke.

4.0 AIMS & OBJECTIVES

The aims of the project, as set out in a CLAU specification of 21.08.00 were to:

- produce an archive record of any surviving deposits, remains and artefacts exposed by the project groundwork within the constraints of the contractor's working methods, programme and particular development design.
- produce a project archive for deposition with the appropriate museum together with a client report.
- provide information for accession to the County Sites and Monuments Record.

5.0 METHODOLOGY

An archaeologist from the City of Lincoln Archaeology Unit (CLAU) was present on site during all major groundwork associated with the development. An archaeological record of deposits exposed during the course of the groundwork was secured by means of colour photographs and measured drawings supplemented by descriptive notes.

6.0 RESULTS (Fig.4)

The earliest deposit encountered within the network of foundation trenches was a loose to moderately compact, mid-grey (with reddish mottles) sand/silt, containing occasional small angular stones and occasional charcoal flecks (006). The deposit measured at least 300mm thick (extending below the lower limit of excavation) at the south-west corner of Nutwood Cottage. It occupied the area to the north-east of a line extending between the north-west corner of the plot and a point c.650mm south of the south-west corner of the existing cottage (see Section 2).

A loose to moderately compact light grey sandy silt (005) extended over 006 (see Section 2), and throughout the plot to south and west. It was sealed by a compact, mottled light to mid-grey and mid reddish-brown clay (003), becoming thicker (c.300mm max.) and more compact to the west. Deposits 005 and 003 could, it is believed, represent alluvial deposition relating to the stream course to the west of the site.

The above-mentioned deposits were sealed by a loose to moderately compact, mid-brown sandy silt (002) with a maximum depth of c.420mm. It extended throughout the plot and can be interpreted as a layer of garden or plough soil. A moderately compact, mid to dark-grey topsoil (001) then extended to existing ground level.

7.0 CONCLUSION

The watching brief located evidence for sediments (006 - possibly alluvial) extending below the lower limit of excavation (c. 1m deep), and for possible alluvium relating to a stream course to the west. A thick layer of garden or ploughsoil then extended across the site. Owing to the absence of associated and datable artefactual material the deposits cannot be dated. However, the project has produced a valuable record of the character of deposits in the area which will be used to inform future archaeological resource management decisions.

8.0 ACKNOWLEDGEMENTS

The author of this report would like to thank Alex Tate Construction for their co-operation during fieldwork for the project.

9.0 BIBLIOGRAPHY

Kent, P 1980, *British Regional Geology. Eastern England from the Tees to the Wash (second edition)*. Institute of Geological Sciences

Pevsner, N, Harris, J & Antram, N 1989, *The Buildings of England. Lincolnshire (second edition)*. Penguin

10.0 PROJECT/ARCHIVE DETAILS

10.1 LHA NOTE DETAILS

CLAU CODE: BOL00

PLANNING APPLICATION No.:S/018/00751/00

FIELD OFFICER: R Trimble

TF35048 64958

NGR: TE 35042 64058

CIVIL PARISH: Lincoln

SMR No.:

DATE OF INTERVENTION: 31.8.00

TYPE OF INTERVENTION: Watching Brief

UNDERTAKEN FOR: Alex Tate Construction

9.2 ARCHIVE DETAILS

PRESENT LOCATION: City of Lincoln Archaeology Unit, Charlotte House, The Lawn, Union Road, Lincoln, LN1 3BL

FINAL LOCATION: The City and County Museum, Friars Lane, Lincoln

MUSEUM ACCESSION No.: 2000.210

ACCESSION DATE: -

The Archive Consists of:

Context Records	6
Plans at Scale 1:20	-
Measured Sketch Sections at Scale 1:20	2
Colour Print Photographs	9
Set of Site Notes	1

It is intended that transfer of the archive, in accordance with current published requirements, will be undertaken following completion of this project.

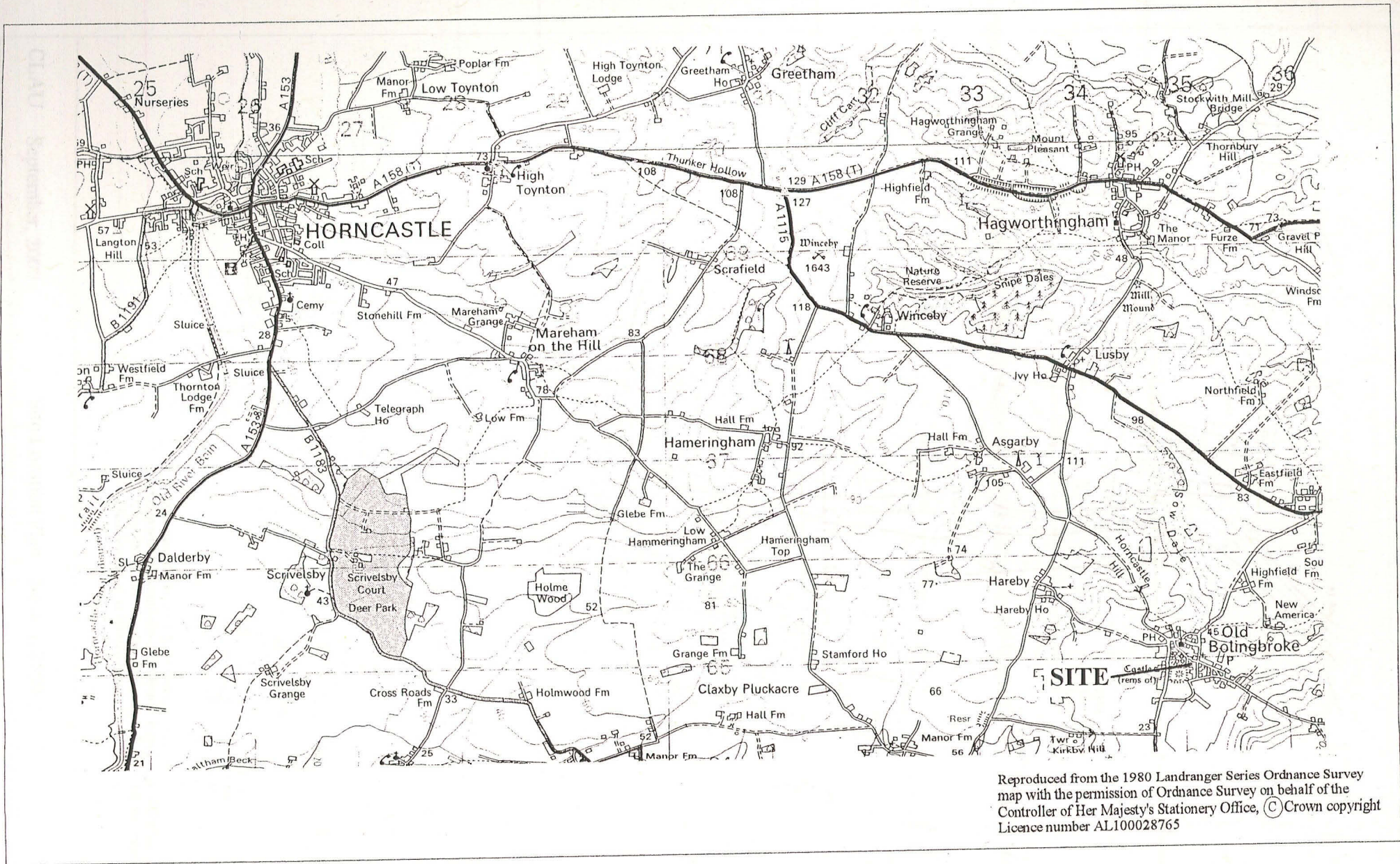
COLOUR PLATES



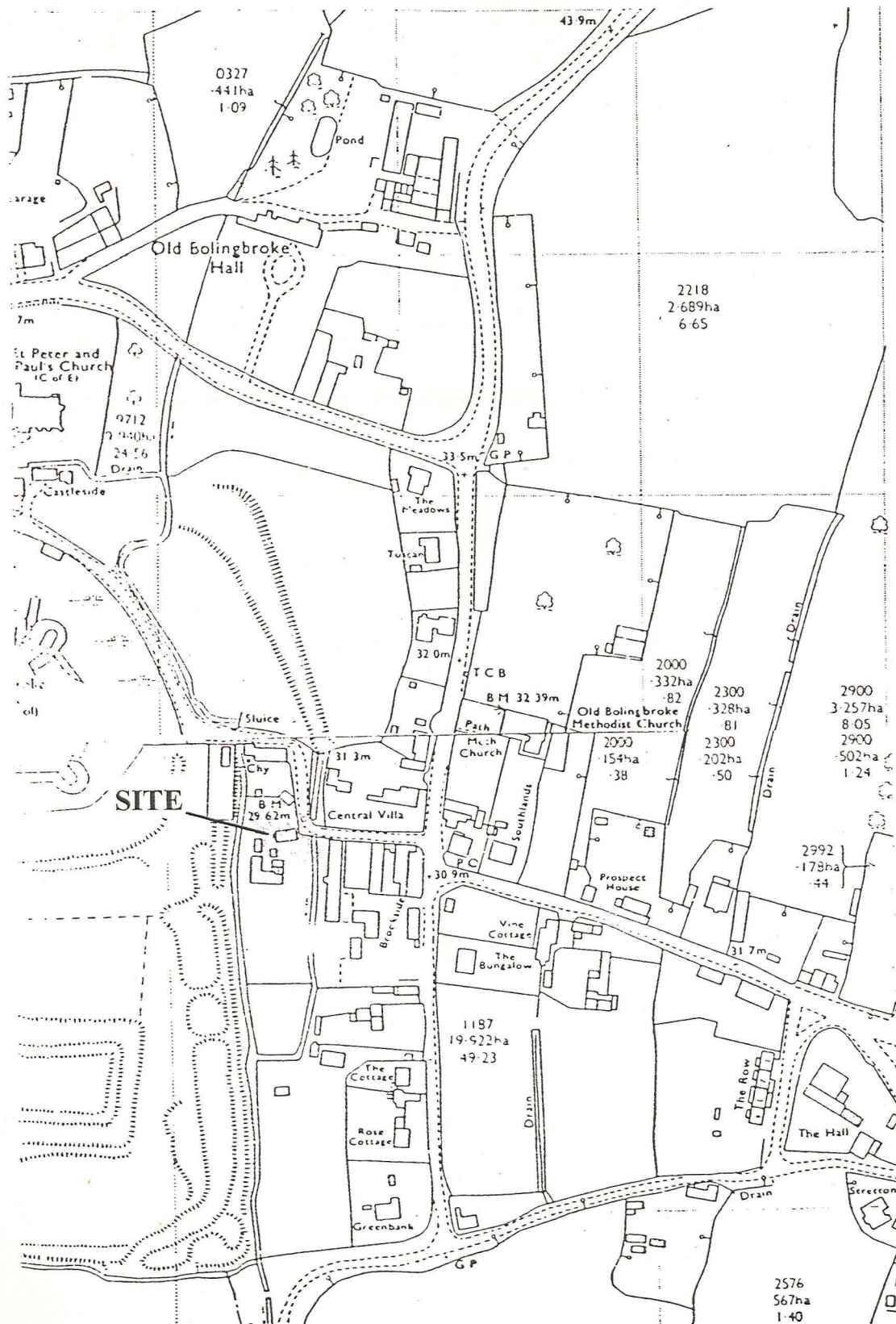
Plate 1 - General view of work in progress (looking N)



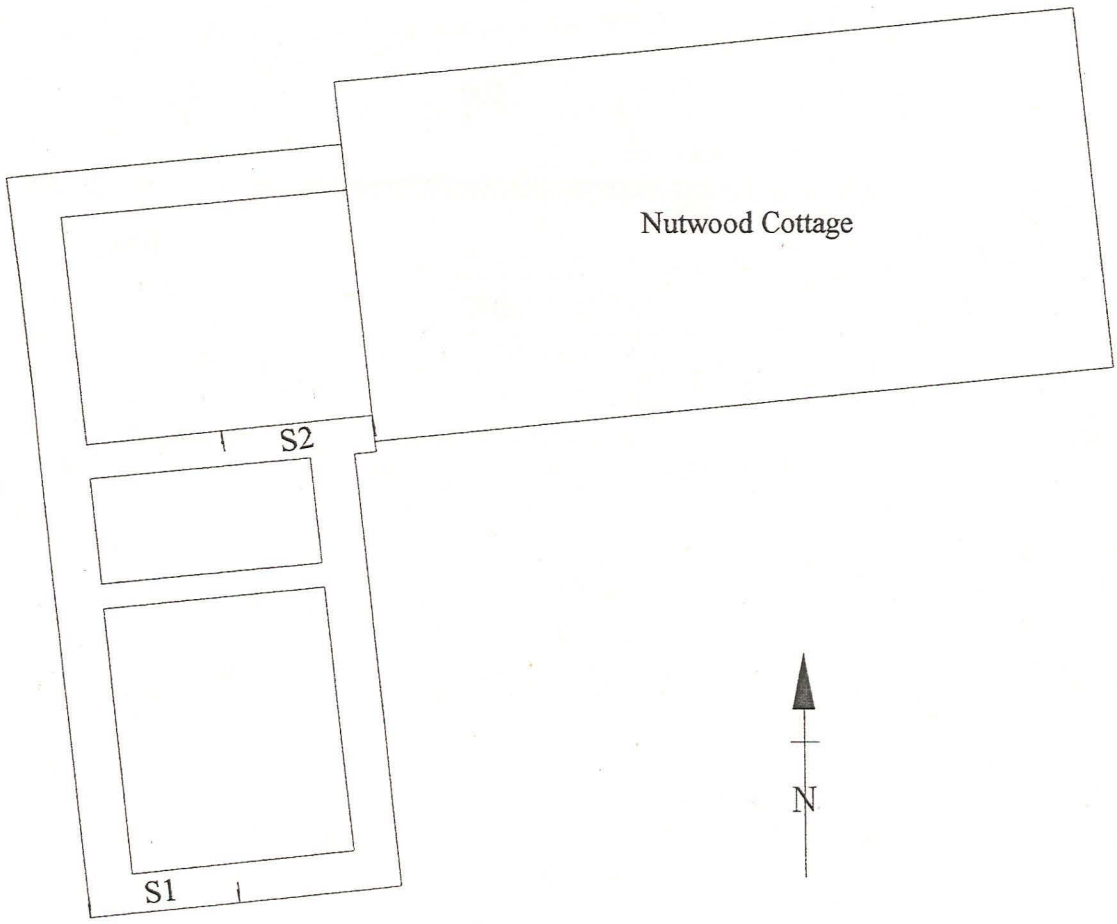
Plate 2 - View of Section 2 (1m scale, looking NE).

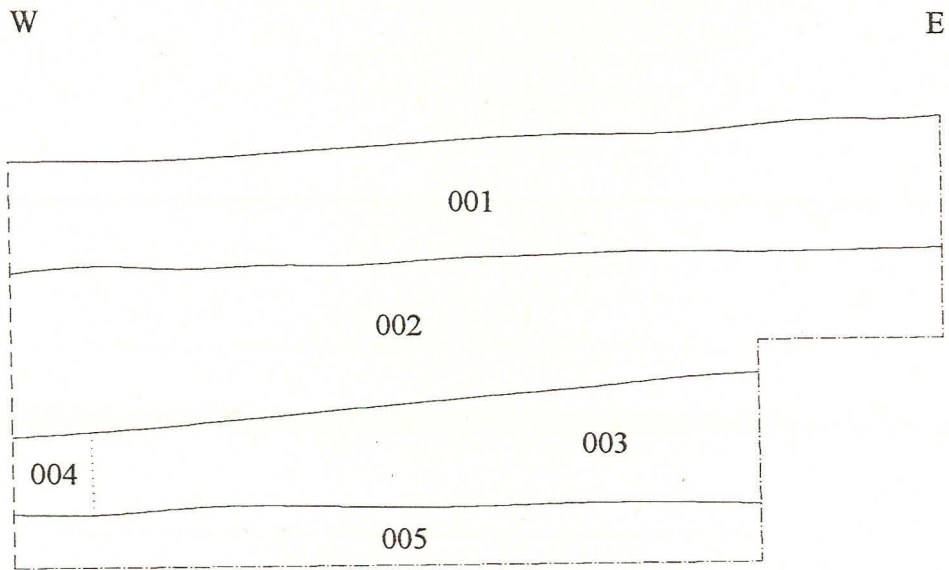


Reproduced from the 1980 Landranger Series Ordnance Survey map with the permission of Ordnance Survey on behalf of the Controller of Her Majesty's Stationery Office, © Crown copyright Licence number AL100028765

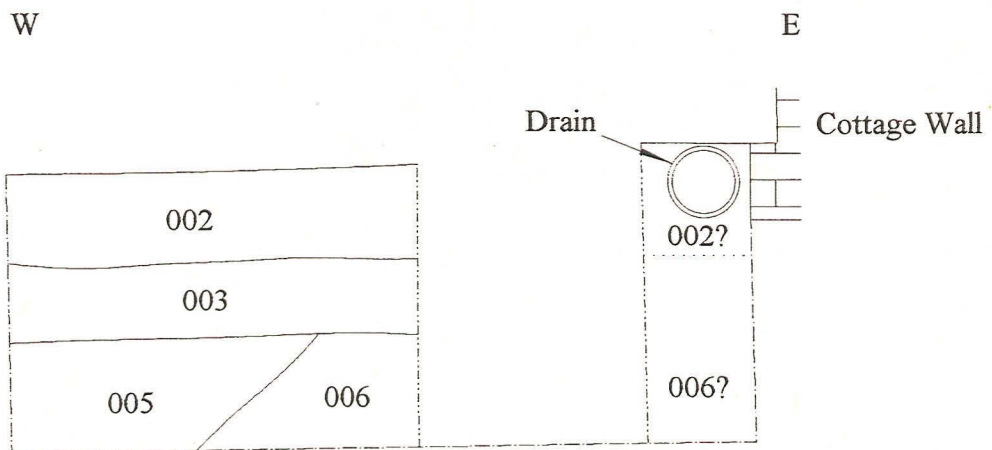


Reproduced from the 1:2500 Ordnance Survey map with the permission of Ordnance Survey on behalf of the Controller of Her Majesty's Stationery Office, © Crown copyright Licence number AL100028765





Section 1



Section 2