

***A Watching Brief at  
Creswell Chapel, Stafford, 2013***

by  
H R Hannaford

Archaeology Service



**A WATCHING BRIEF AT  
CRESWELL CHAPEL, STAFFORD, 2013**

by

H R HANNAFORD MifA

A Report for



**Natural England:  
Land Management Team - Staffordshire**

## **CONTENTS**

	<b>Page No</b>
<b>SUMMARY</b>	<b>1</b>
<b>1 INTRODUCTION</b>	<b>2</b>
<b>2 THE WATCHING BRIEF</b>	<b>2</b>
<b>3 REFERENCES</b>	<b>2</b>

## **ILLUSTRATIONS**

Figure 1: The location of the study area

Figure 2: Plan view showing the location of the test pit; scale 1:100

Figure 3: Sections through the test pit a) NE-facing section; b) SE-facing section; scale 1:20

Photo 1: Creswell Chapel during repairs in 2013, looking W

Photo 2: The location of the test pit, looking SW, scales 1m & 0.5m

Photo 3: The test pit, looking SW, scale 0.5m

## **SUMMARY**

*In October 2013 the Archaeology Service, Shropshire Council carried out a watching brief on groundworks associated with repairs to Creswell Chapel, Stafford. No significant archaeological features or deposits were seen during the watching brief.*

## **1 INTRODUCTION**

**1.1** Creswell is situated in Staffordshire, just to the northwest of the county town of Stafford. In 2013 a programme of work was undertaken for the repair and consolidation of the standing remains of Creswell Chapel at Creswell Farm, Creswell, Stafford (NGR SJ 896 260).

**1.2** The site of Creswell Chapel (Staffordshire Historic Environment Record [HER] No 00044 lies 3.5km northwest of the centre of Stafford. The chapel is in ruins and stands alone in a field. A settlement at Creswell was recorded by the Domesday Survey of 1086, and is thought to have probably stood near the chapel. Creswell Chapel is first documented in 1334. Together with the free chapels of Tixall and Ingestre, it became a prebendary of the Royal Free chapel of St Mary's, Stafford by 1346. However, at an inquisition of 1428 it was stated that by ancient custom the parishioners of Creswell buried their dead at St. Bertelin's Church and graveyard, rather than at St. Mary's. In 1549 services were only held at the chapel at certain times of the year and in 1633 the Bishop stated that the chapel was no longer used, although the majority of the building was still standing. (Belchere & Wigley, 2013; Heritage Gateway)

**1.3** The chapel is a Scheduled Ancient Monument (Ref. No. 1006113, Creswell Chapel) and a Grade II Listed Building (Ref. No. 1242636, Parish Church Remains).

**1.4** The repair works to the monument were to include the rebuilding of the northeast buttress and adjacent masonry, rebuilding and underpinning of parts of the east wall, and repointing and capping the walls in lime mortar. It was considered that there was a possibility that archaeological remains might be encountered and impacted on during the groundworks for the underpinning.

**1.5** Because of the potential significance of the archaeological resource, it was made a condition of the scheduled monument consent for these works that the groundworks be carried out under archaeological supervision. The Archaeology Service, Shropshire Council, was commissioned by Natural England's Land Management Team - Staffordshire to carry out a watching brief on groundworks associated with the repairs, and this report details the results of this work.

## **2 THE WATCHING BRIEF**

**2.1** A single trial pit was excavated by hand at the foot of the northeastern buttress (Fig. 2). The test pit measured 07.m by 0.5m in plan by 0.3m deep. A topsoil 0.15m deep consisting of a very dark grey brown sandy loam (Fig.3; 1) with gravel and brick and tile fragments butted against the foot of the buttress. The topsoil lay over a deposit of dark reddish brown sandy loam with pebbles (2) at least 0.15m thick. The buttress was built onto this deposit.

**2.2** No further archaeological features or deposits were seen during the watching brief.

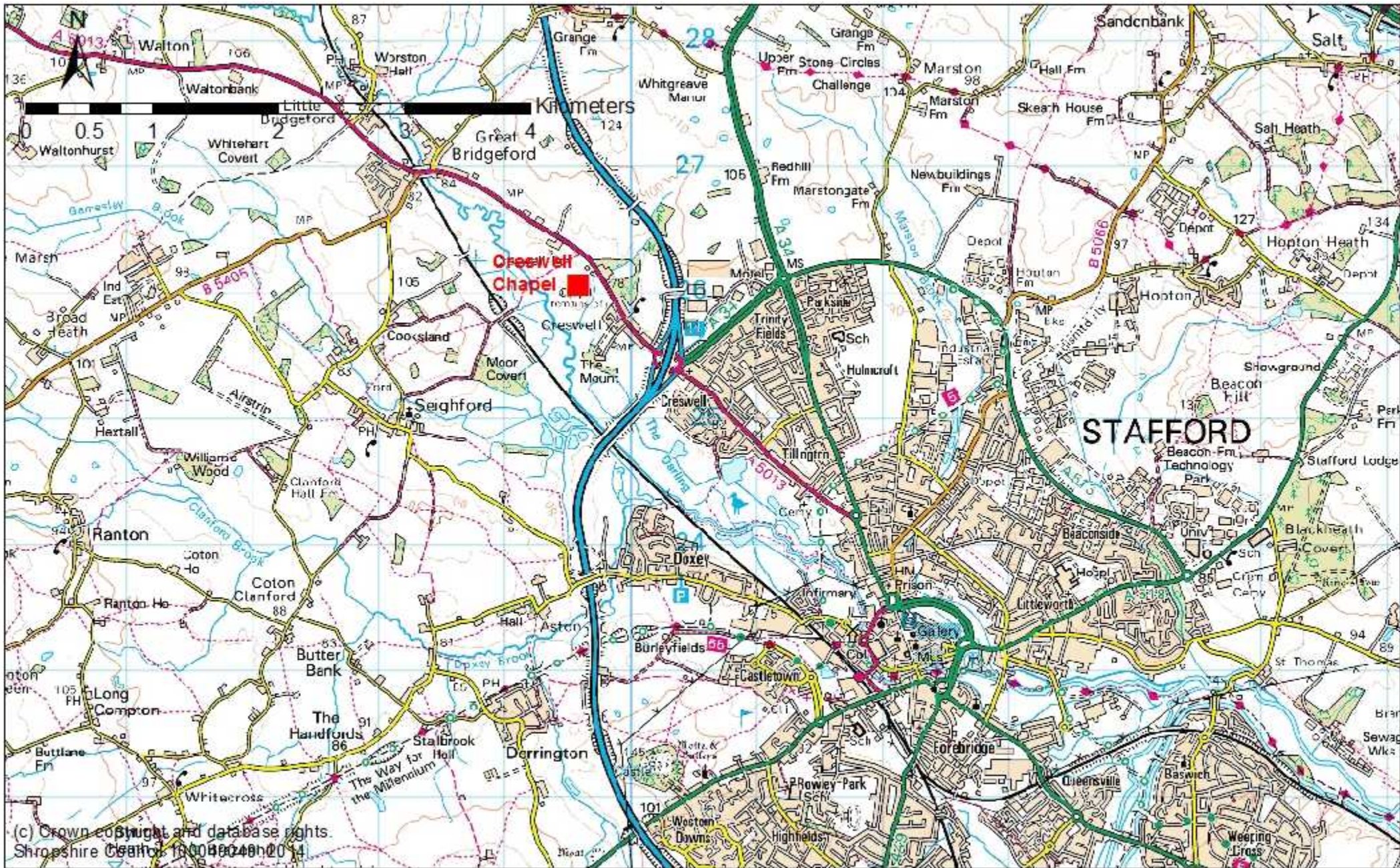
## **3 REFERENCES**

**Belchere, P, & Wigley, A,** 2013: Statement of Significance ,Creswell Chapel, Staffordshire, Shropshire Council Historic Environment Group

**Heritage Gateway:**

[http://www.heritagegateway.org.uk/Gateway/Results\\_Single.aspx?uid=MST44&resourceID=1010](http://www.heritagegateway.org.uk/Gateway/Results_Single.aspx?uid=MST44&resourceID=1010)  
(accessed 12th September 2013)





(c) Crown copyright and database rights.  
 Shropshire Council 100049040 2014



**CRESWELL CHAPEL, STAFFORD 2013**

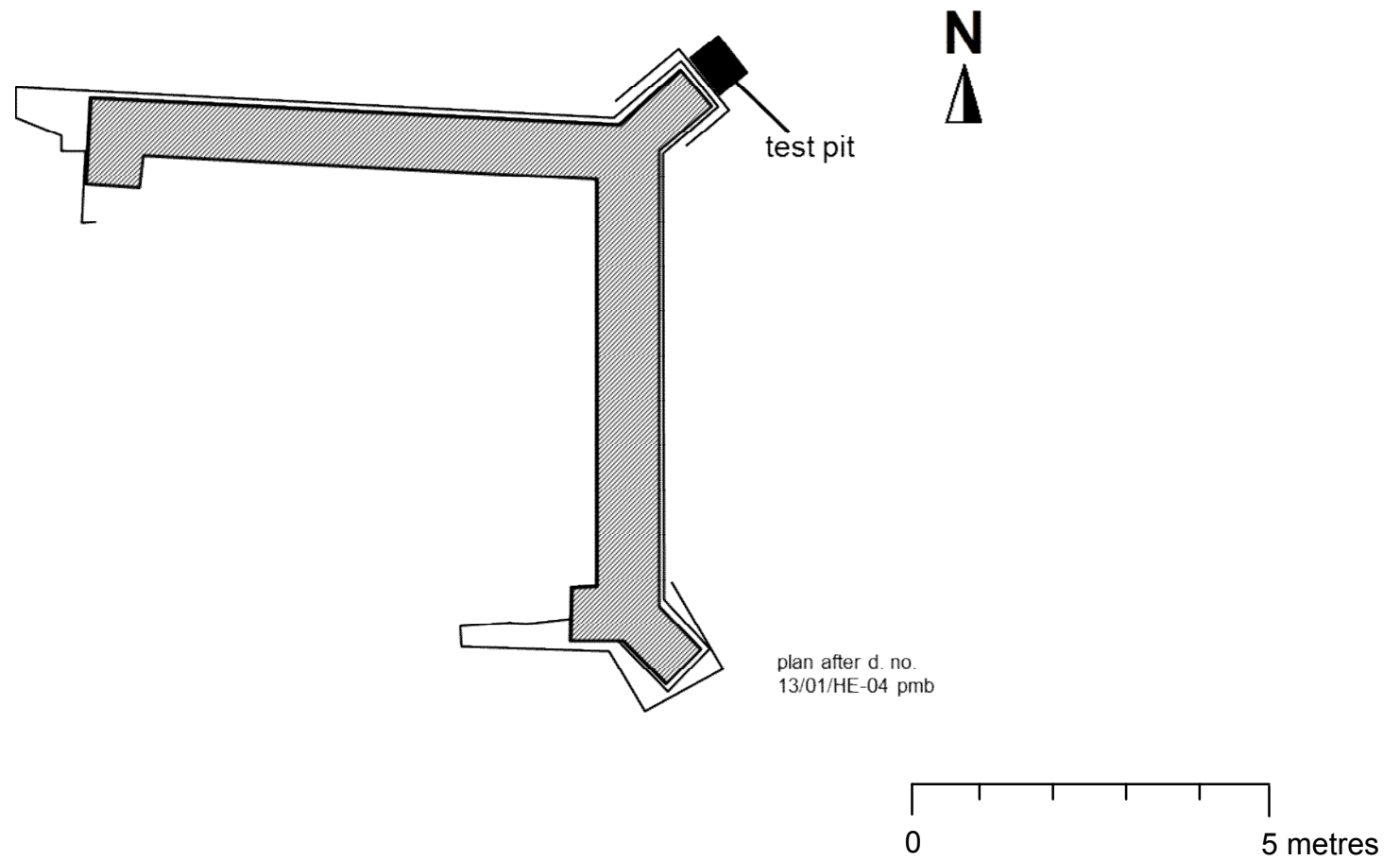
Figure 1: The location of the study area

**Archaeology Service**

Historic Environment Team, Shropshire Council,  
 Shirehall, Abbey Foregate, Shrewsbury, SY2 6ND

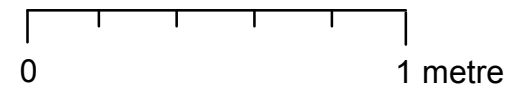
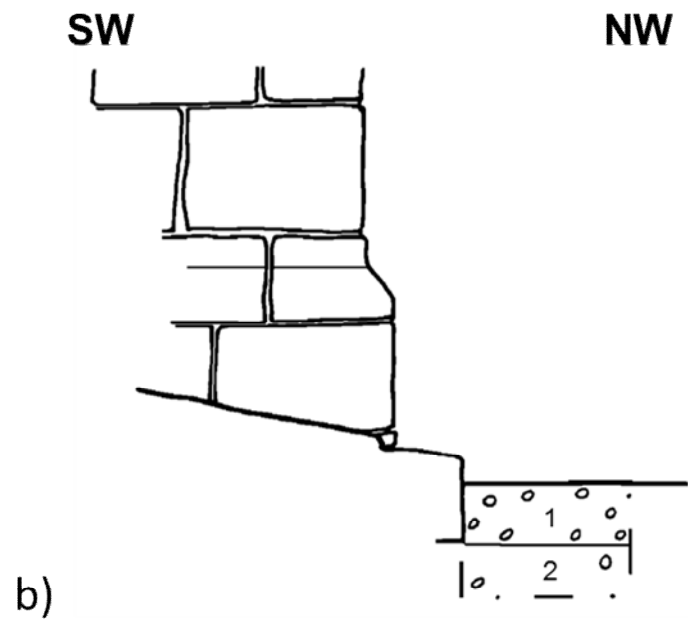
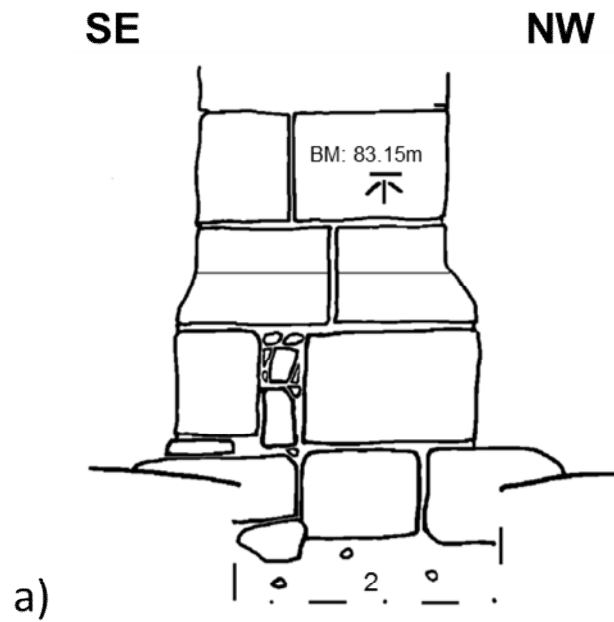
1:40,000





CRESWELL CHAPEL, STAFFORD 2013

Figure 2: Plan view showing the location of the test pit; scale 1:100



CRESWELL CHAPEL, STAFFORD 2013

Figure 3: Sections through the test pit a) NE-facing section; b) SE-facing section; scale 1:20

*A Watching Brief at Creswell Chapel, Stafford, 2013*



Photo 1: Creswell Chapel during repairs in 2013, looking W



Photo 2: The location of the test pit, looking SW, scales 1m & 0.5m



Photo 3: The test pit, looking SW, scale 0.5m