

**SOUTH LEYLODGE
KINTORE
ABERDEENSHIRE**



Archaeological Evaluation

Carried out 25th September 2017

by

Murray Archaeological Services Ltd



Report No: MAS 2017-23

by

H K Murray and J C Murray

H K Murray BA, PhD, MCIfA, FSA Scot
J C Murray BA, MCIfA, FSA Scot, FMA
Hill of Belnagoak, Methlick, Ellon, Aberdeenshire AB41 7JN
Telephone: (01651) 806394 e-mail: cmurray@btinternet.com

SOUTH LEYLODGE
(land W of South Leylodge steading)
KINTORE
ABERDEENSHIRE

-Archaeological Evaluation -

H K Murray and J C Murray

1. Background
 - 1.1 A Planning Application (APP/2015/3579 and APP/2017/0915) granted permission for the demolition of a shed and the erection of a dwelling house on a site W of South Leylodge steading, Kintore, Aberdeenshire.
An archaeological condition (APP/2015/3579, condition 3) was applied to this application in the context of Scottish Planning Policy (PAN 2/2011, SPP, SHEP). The condition required that there should be a small scale evaluation prior to ground breaking work on the site.
 - 1.2 The archaeological condition was applied in the context of planning legislation (PAN 2/2011, SPP, SHEP), which states that it is necessary for developers to arrange for archaeological work to take place prior to development, in appropriate circumstances.
 - 1.3 Murray Archaeological Services Ltd was commissioned by Stephen and Shona Robbie to undertake the work.
 - 1.4 The evaluation was undertaken on 25th September 2017.

2. The Site

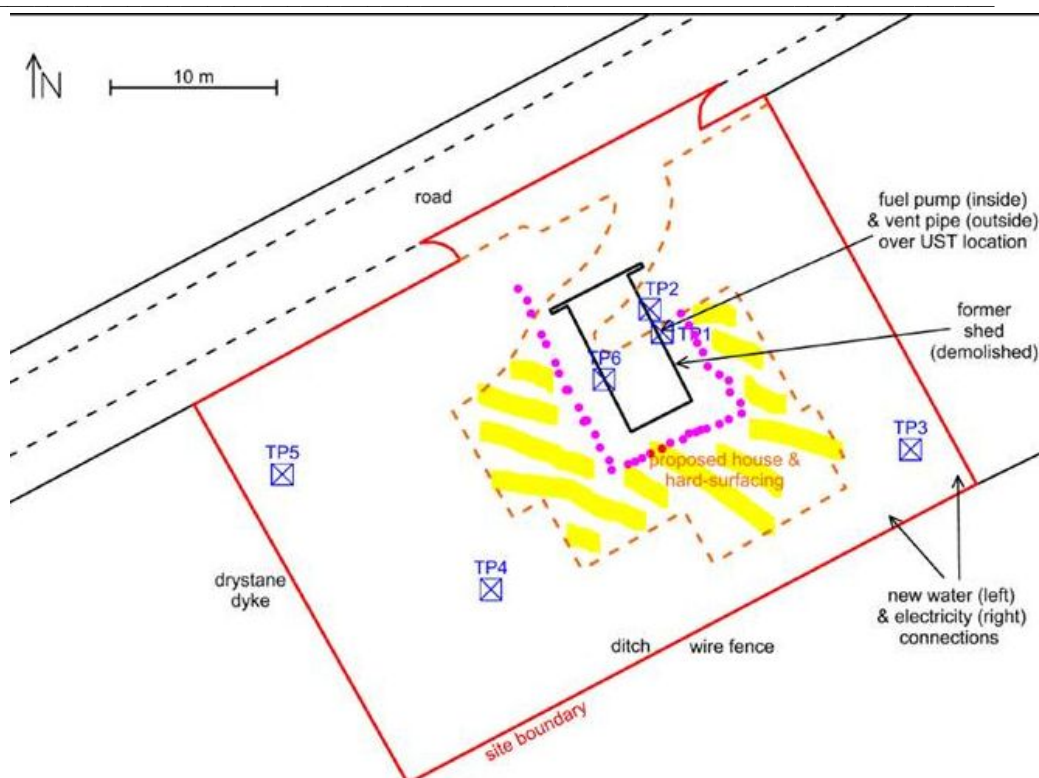
2.1 The evaluation area lay in a small enclosed area of rough grass. A former shed had been demolished and its site was only visible as an area of lumpy ground.

Parish: Kintore

NGR (central) NJ 7664 1317



Illus 1 Location of site. marked by red circle. OS map reproduced Crown Copyright 2002. Licence 100049810



Illus 2 Plan of site. Courtesy of Mr Stephen Robbie.

2.2 The site comprised rough grass. Several test pits had been excavated and back-filled prior to the evaluation. The three evaluation trenches were placed to avoid the test pits and to lie within the footprint of the proposed building but on the margins of the area disturbed by the former shed (Illus 8).



Illus 3 General view of site looking NE

3 Methodology

- 3.1 The cultivated topsoil was removed by a mini-digger with a 1m wide toothless ditching bucket. Any possible features were cleaned and excavated by hand.
- 3.2 All mapping was done with a Magellan Mobile Mapper 120 GPS and Glonass.

4. Desktop survey

4.1 Sites nearby

Directly across the road, to the N of the site are the remains of a recumbent stone circle, a ritual monument of probable Bronze Age date. Other standing stones in the vicinity may be outliers associated with the stone circle or may be cattle rubbing stones (individual standing stones are very difficult to date).

The proximity of the stone circle confirms Bronze Age settlement in the near vicinity and presents the strong possibility of evidence of prehistoric activity in the area.

South Leylodge (Aberdeenshire SMR NJ71SE0003. HES NJ71SE3) Remains of recumbent stone circle.

South Leylodge (Aberdeenshire SMR NJ71SE0007). Standing stone, possible cattle rubbing stone.

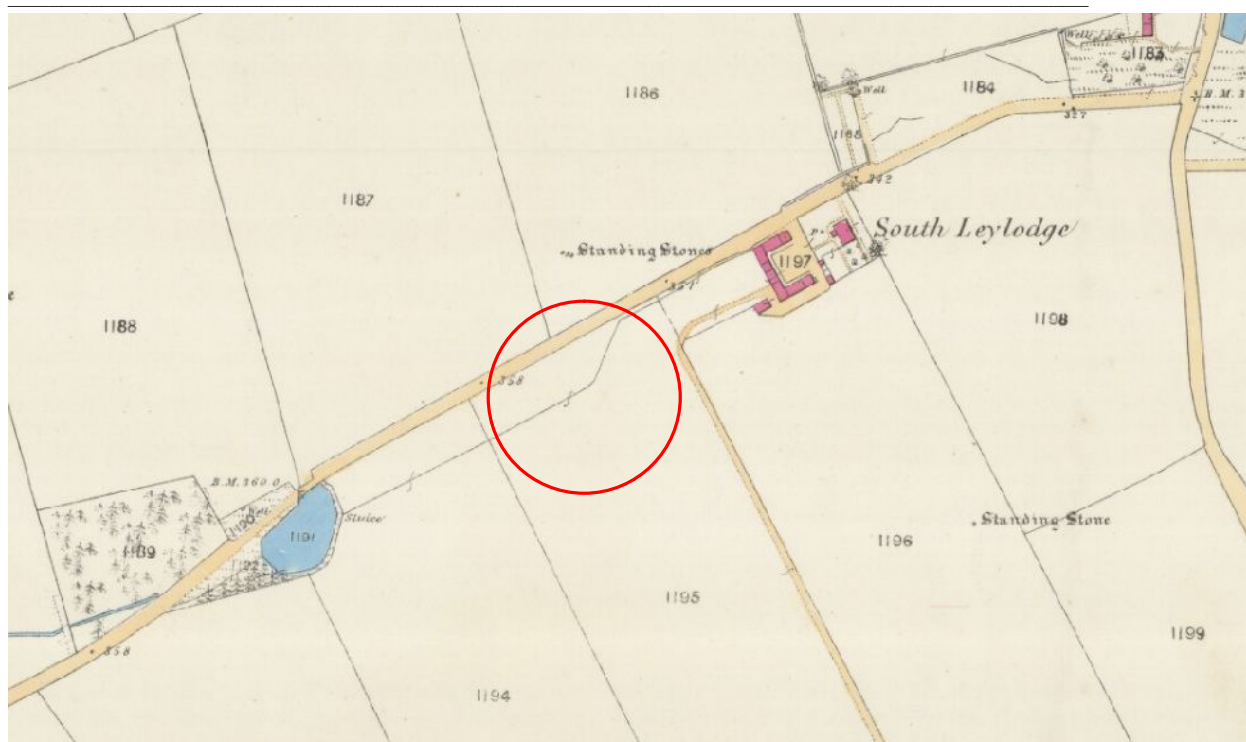
Leylodge School (Aberdeenshire SMR NJ71SE0008 and 0009) Standing stone, possible cattle rubbing stone.

4.2 Map evidence

1st Ordnance 25"/mile Survey Map.

Aberdeen sheet lxiv.12 1864 (published 1869)

The site is shown as agricultural land, with a lade extending across its S boundary from a mill pond to the W towards the steading at South Leylodge.

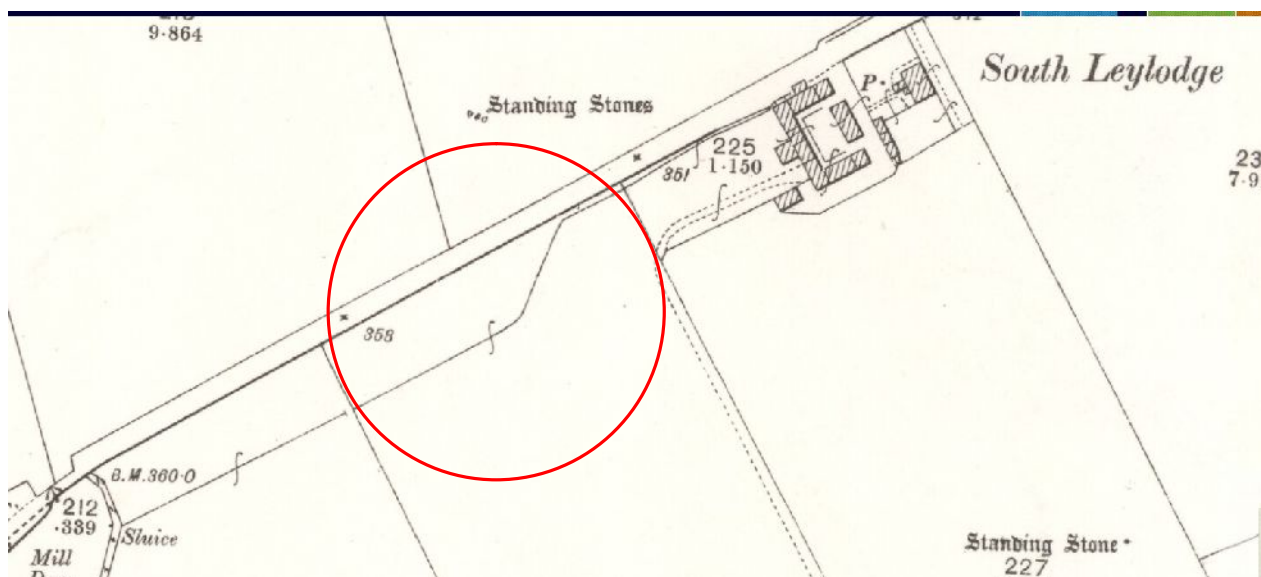


Illus 4 Aberdeen sheet lxiv.12 1864 (published 1869). Site indicated by red circle.

2nd Ordnance 25"/mile Survey Map

Aberdeenshire 064.12 1899 (pub 1900).

No change shown.



Illus 5 Aberdeenshire 064.12 1899 (published 1900). Site indicated by red circle.

Ordnance Survey 6"/mile Map 1957 shows a small building on the site.



Illus 6 OS map 1957

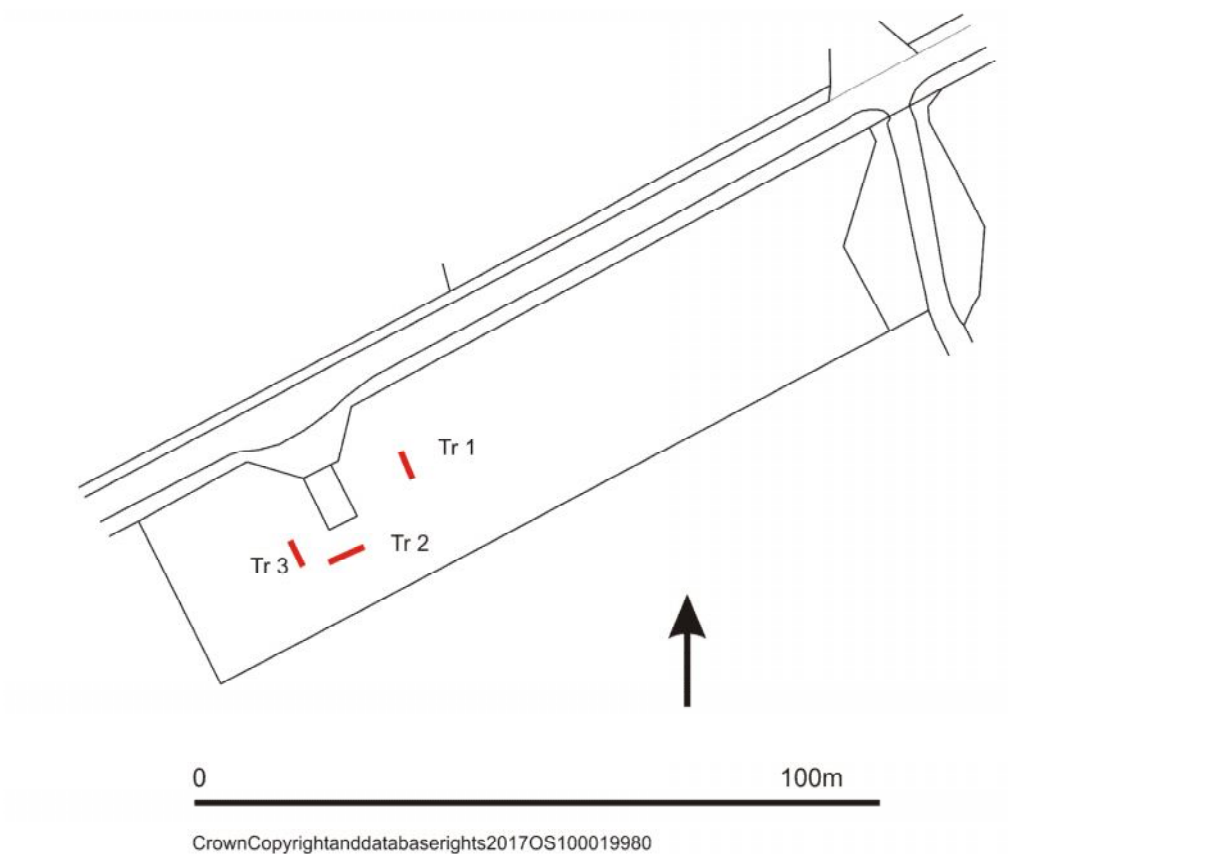
Google maps. Street View April 2011 <https://www.google.co.uk/maps/@57.2088399,-2.3885192,3a,30y,100.73h,83.9t/data=!3m6!1e1!3m4!1sgR8Jh-LMFAMc1PRLp8YsEw!2e0!7i13312!8i6656> (Accessed 25/09/2017) shows a brick or blockwork shed at right angles to the road with a wide door opening towards the road. At this stage the shed is already roofless and disused. It has now been demolished and removed.



Illus 7 Google maps. Street View April 2011

5 Results of the Evaluation

Three evaluation trenches were excavated in total (Illus 8).



Illus 8 Plan showing location of trenches (red). OS map reproduced Crown Copyright. Licence 100041040

Trench 1

GPS NW end: 376657, 813188 SE end: 376659, 813184

Orientation: NW/SE Length: 5 m Width: 1.0m

Depth above natural: 300mm at N end, 400mm at S end.

Stratigraphy: Topsoil over rocky clay natural.

Features None



Illus 9 Trench 1 looking N

Trench 2

GPS E end: 376652, 813174 W end: 376647, 813172

Orientation: approx E/W Length: 5.8m Width: 1.0m

Depth above natural: 350mm at E end, 350mm at W end.

Stratigraphy: Topsoil over stony clay natural.

Features N/S clay field drain (not logged).



Illus 10 Trench 2 looking W

Trench 3

GPS NW end:376641, 813175 SE end: 376643, 813171

Orientation: NW/SE Length: 5 m Width: 1.0m

Depth above natural: 300mm at NW end, 400mm at SE end.

Stratigraphy: Topsoil over natural.

Features None



Illus 11 Trench 3 looking N

6 Finds

There were no finds.

7 Discussion

There was no evidence of surviving archaeology.

8 Impacts and Mitigations

8.1 Impacts No archaeological finds or features were evident.

8.2 Mitigations

(i) On the basis of the evaluation there is no perceived need for any further archaeological investigation in the area.

(ii) The lack of surviving archaeology within the evaluation area does not preclude the possibility of chance finds or archaeological discoveries outwith the evaluation trenches. Should such chance finds occur, then the Archaeology Service, Aberdeenshire Council, or Murray Archaeological Services Ltd, must be informed immediately so that an appropriate archaeological response can be formulated and agreed by all parties concerned.

Appendices

Appendix 1: Catalogue of digital photographic record

Digital frame number	Content
South Leylodge Aberdeenshire	
1	General view looking N to road
2	General view looking NE
3-5	Trench 3 looking N
6-8	Trench 2 looking W
9-10	Trench 1 looking N