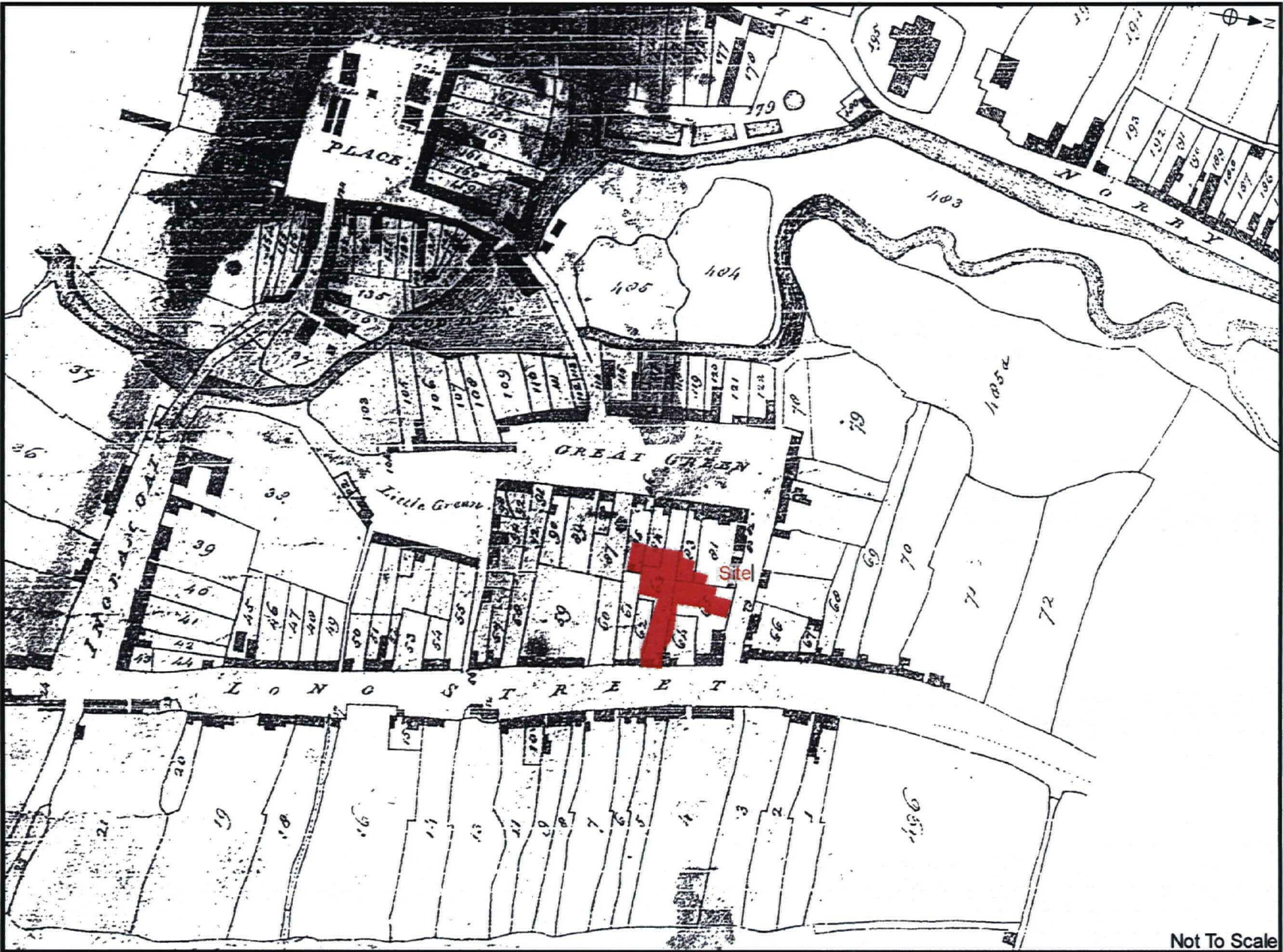


Figure 1. Site Location



Not To Scale

Figure 2. Extract from the 1796 Estate Map of Thirsk



Figure 3. Extract from the 1843 Tithe Map of Thirsk

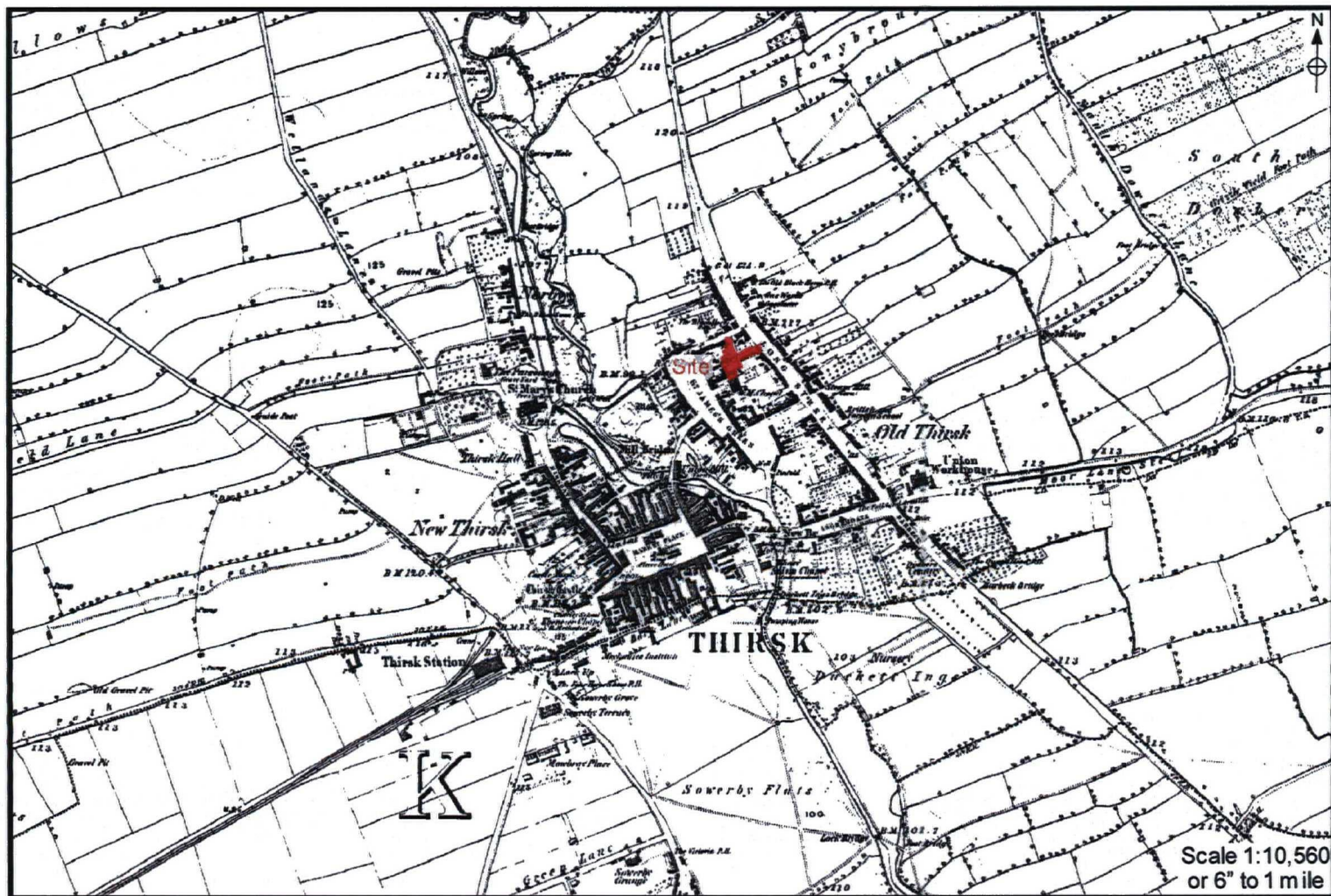


Figure 4. Extract from the 1856 First Edition Ordnance Survey Map

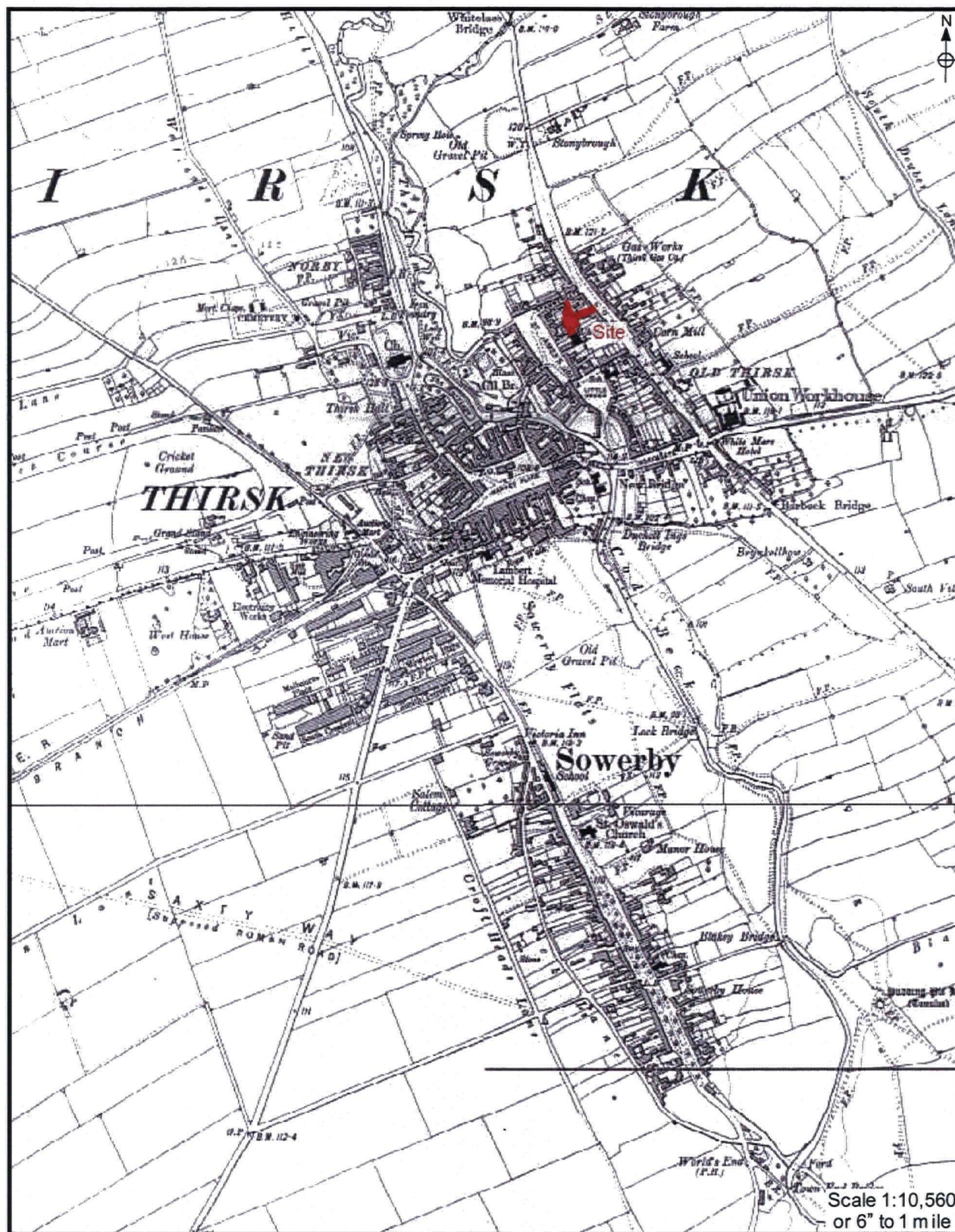


Figure 5. Extract from the 1914 Edition Ordnance Survey Map

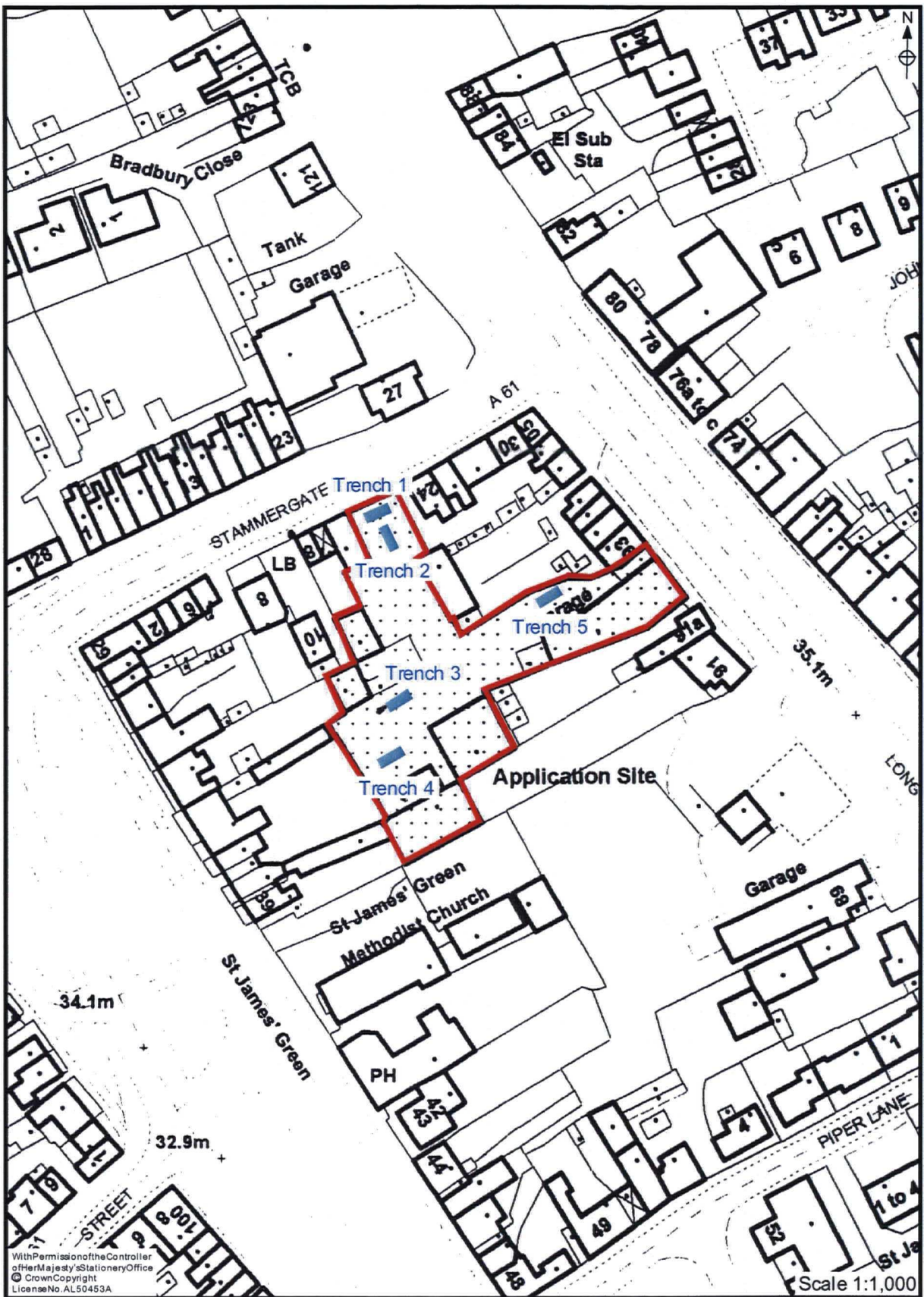


Figure 2. Evaluation Trench Location

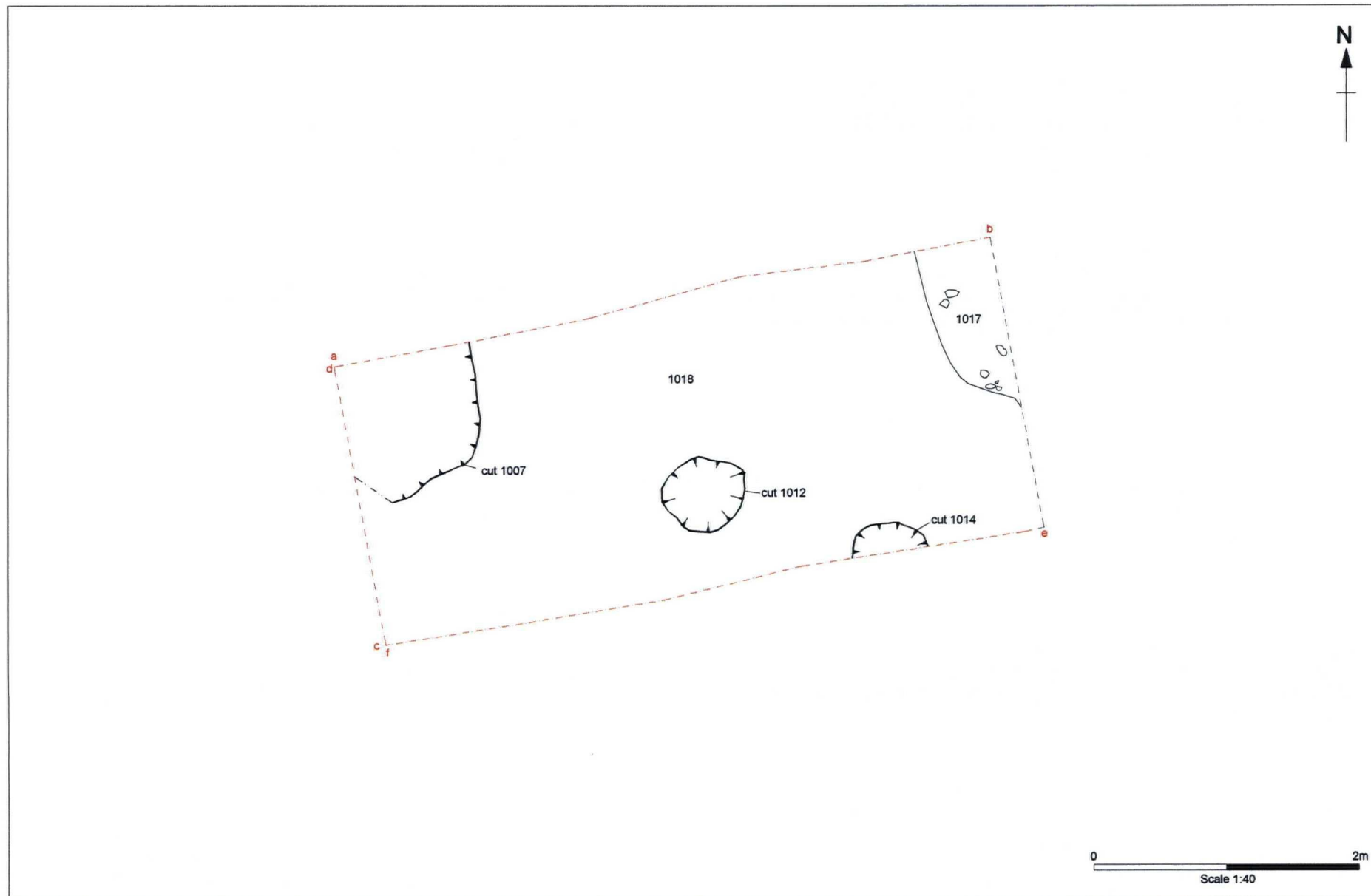


Figure 7. Trench 1. Plan of Phase 2 Features

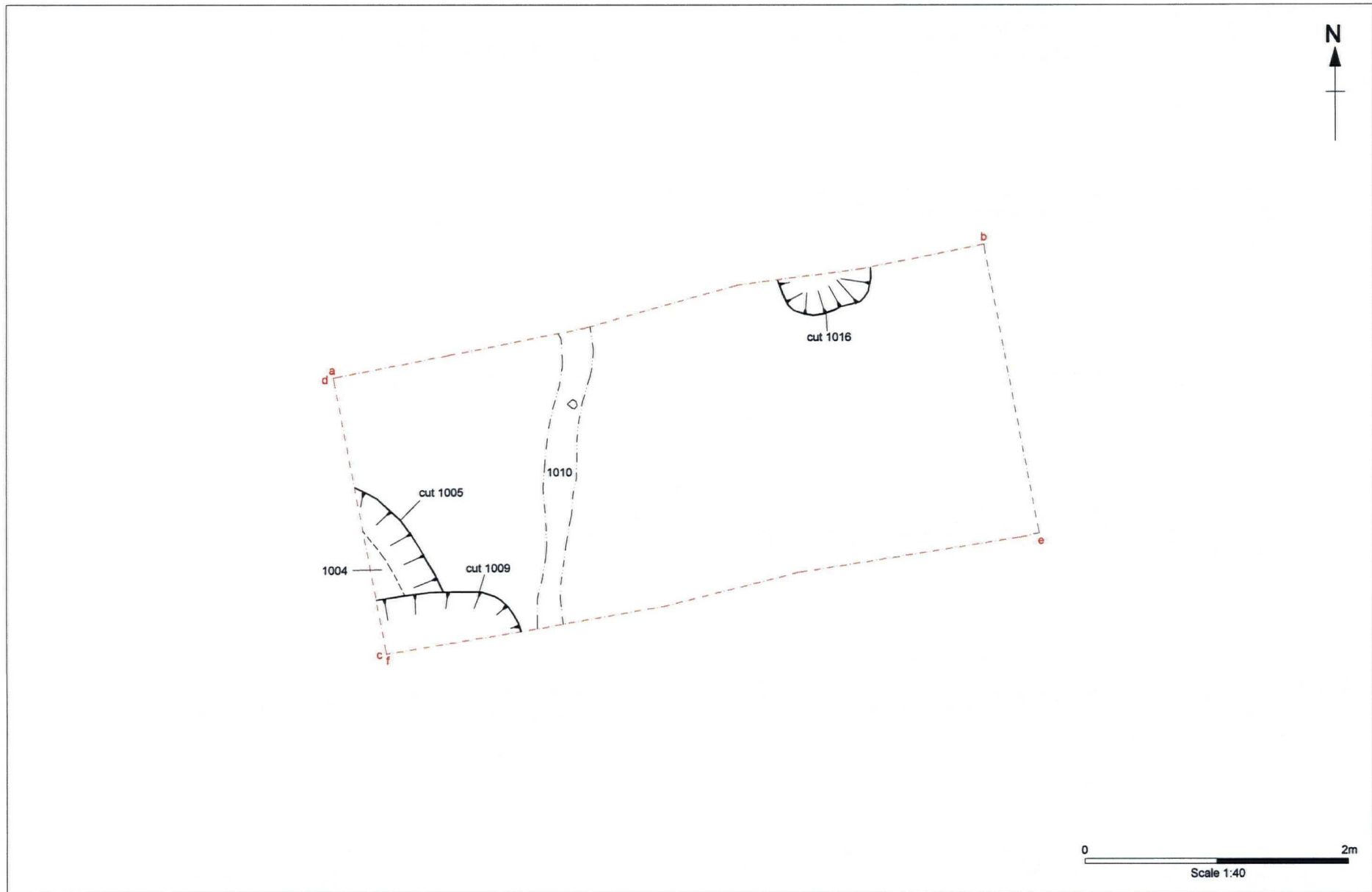


Figure 8. Trench 1. Plan of Phase 3 Features



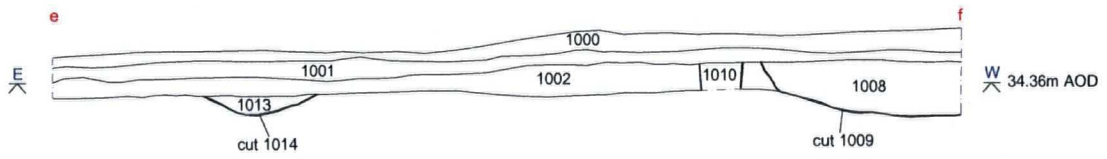
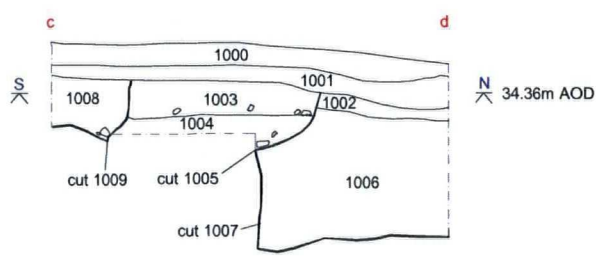
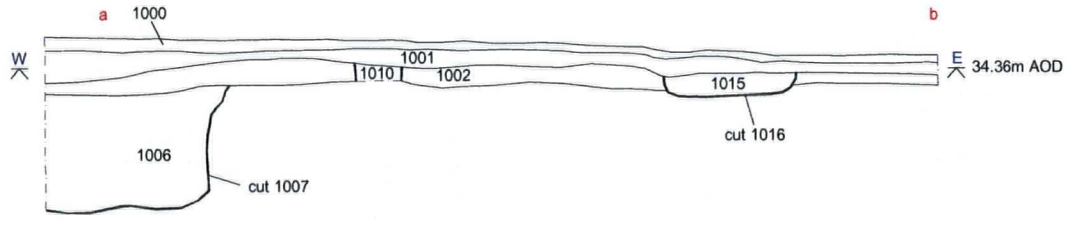


Figure 9. Trench 1 Sections

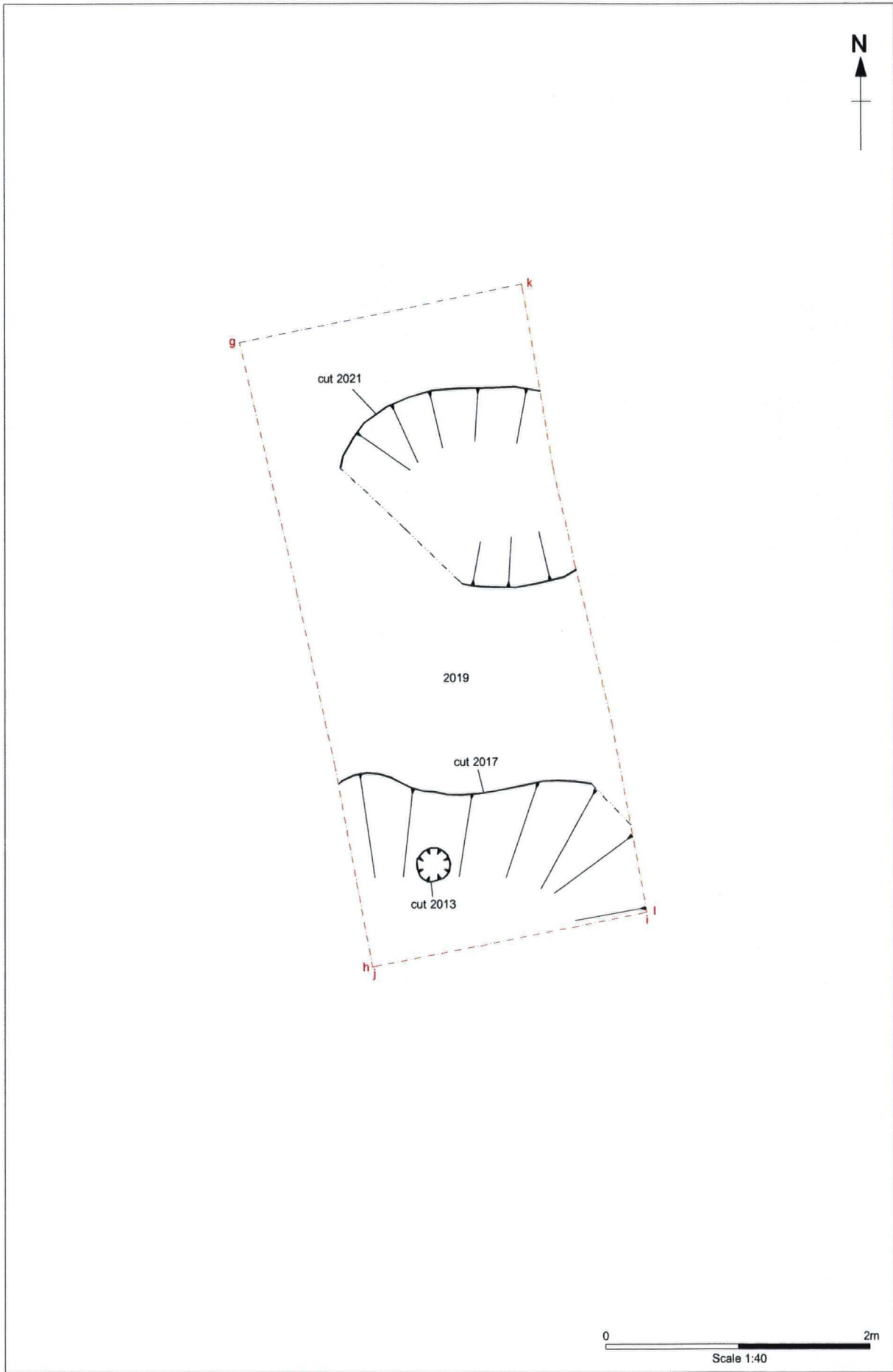


Figure 10. Trench 2. Plan of Phase 1 Features

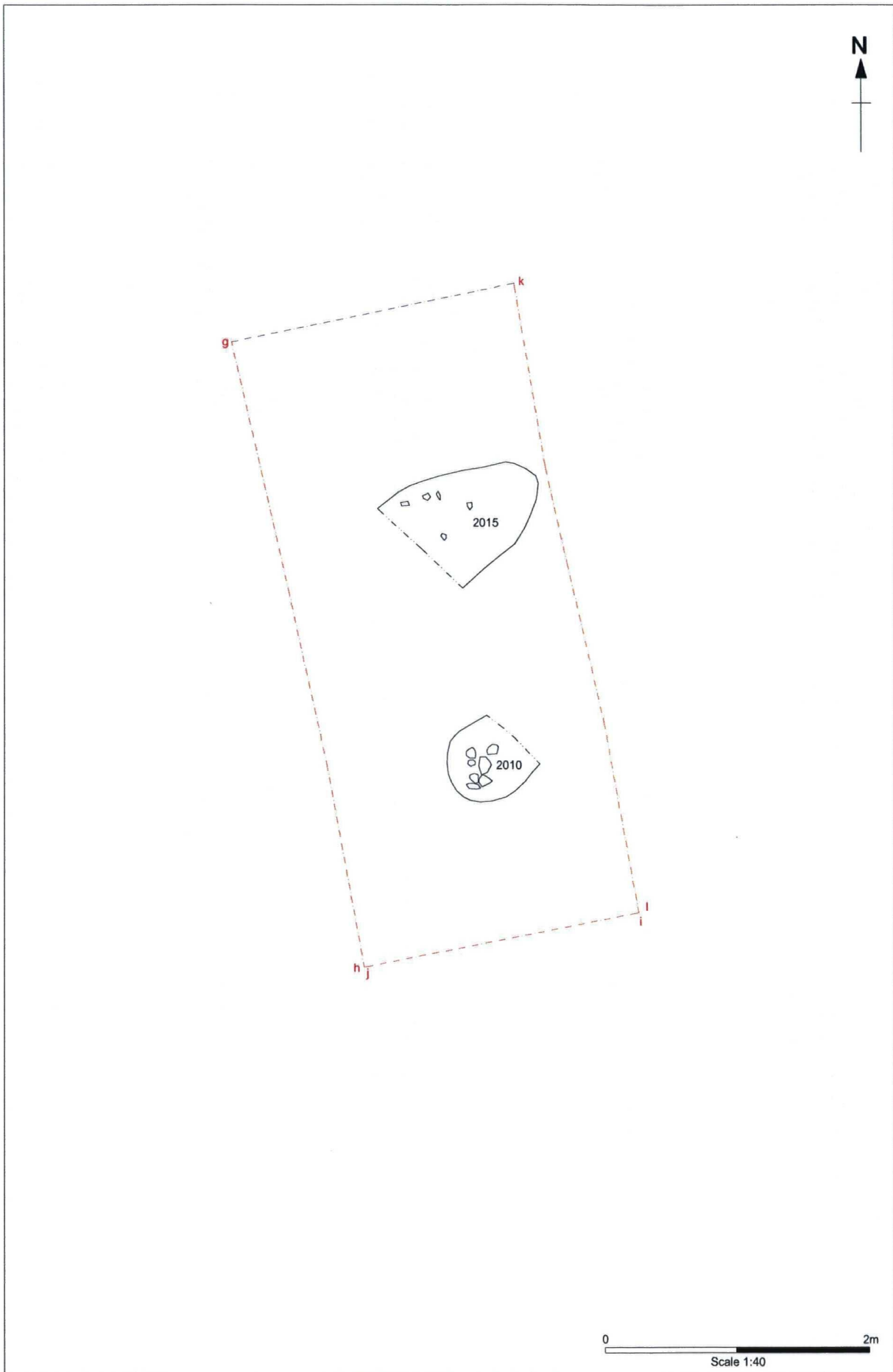


Figure 11 . Trench 2. Plan of Phase 2 Features

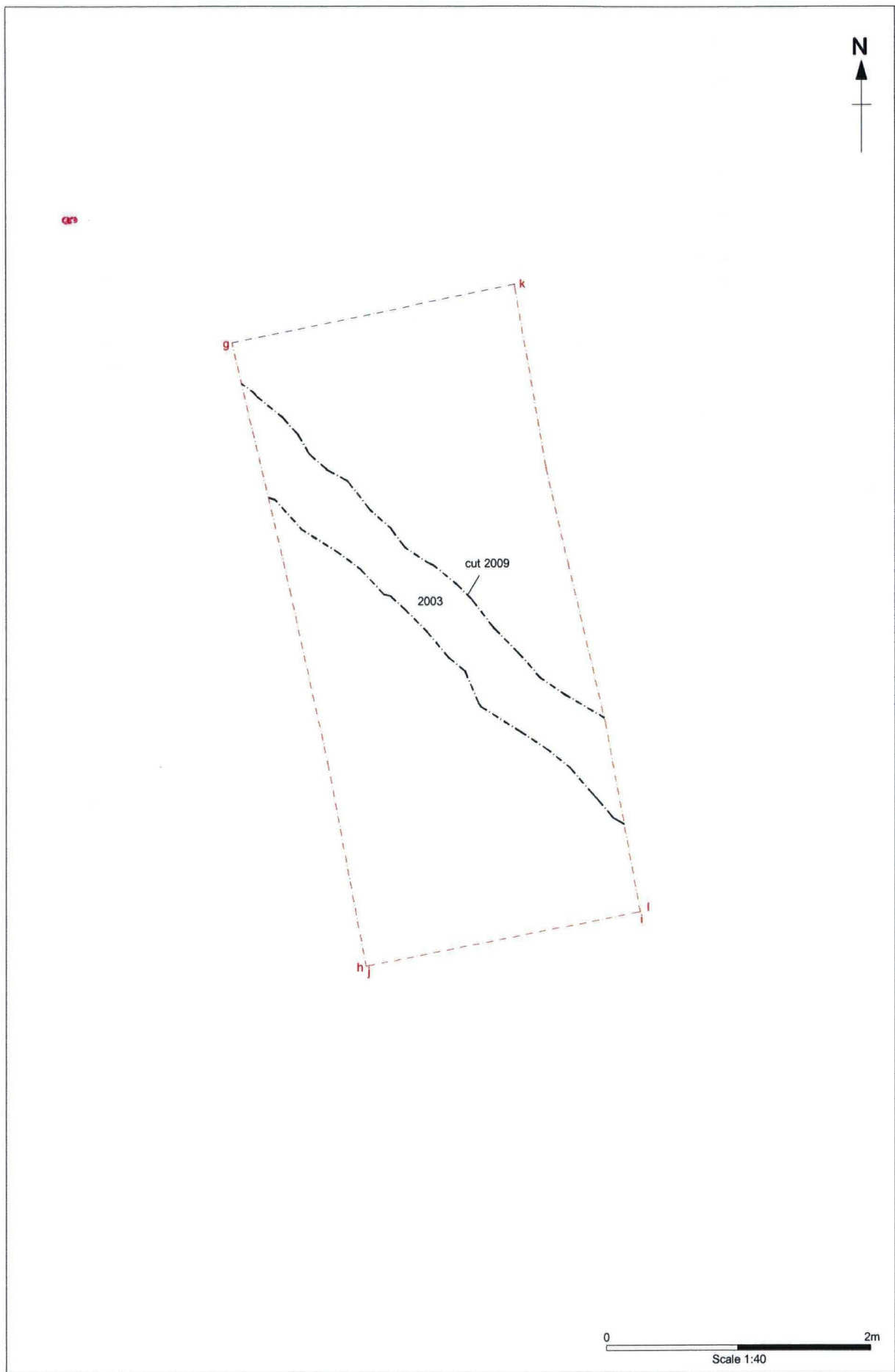


Figure 12. Trench 2. Plan of Phase 3 Features

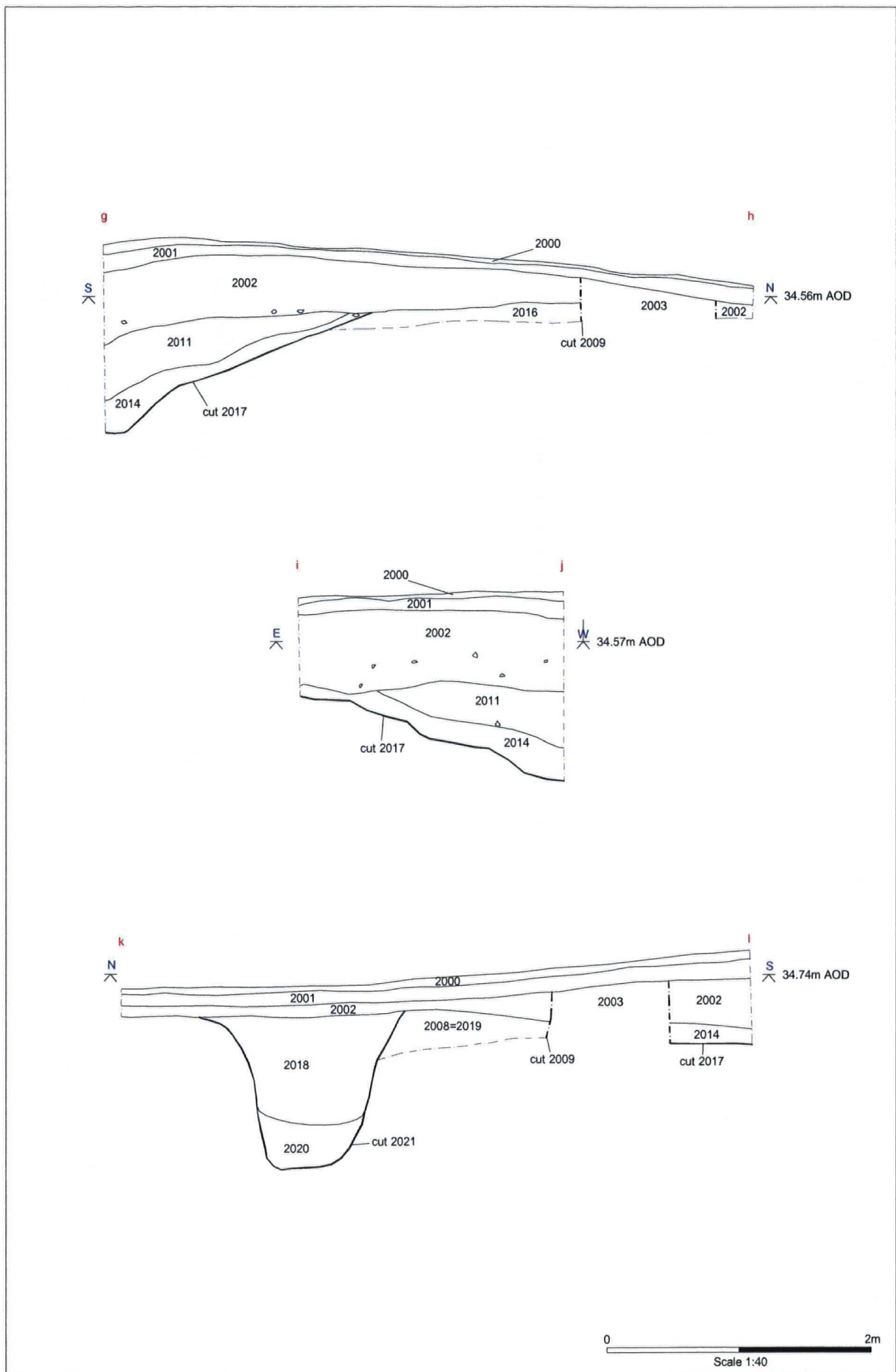


Figure 13. Trench 2 Sections

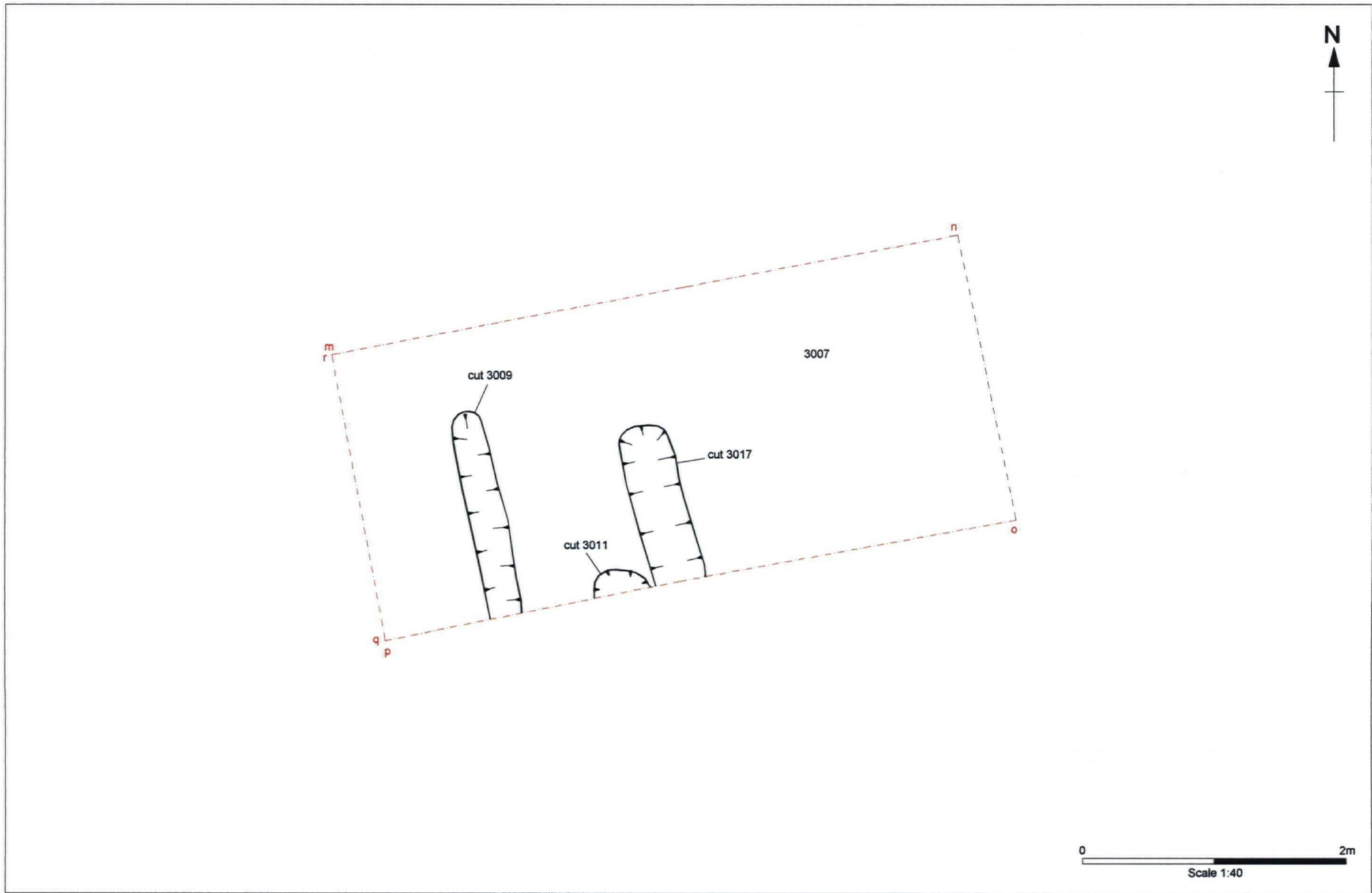


Figure 14. Trench 3. Plan of Phase 2 Features

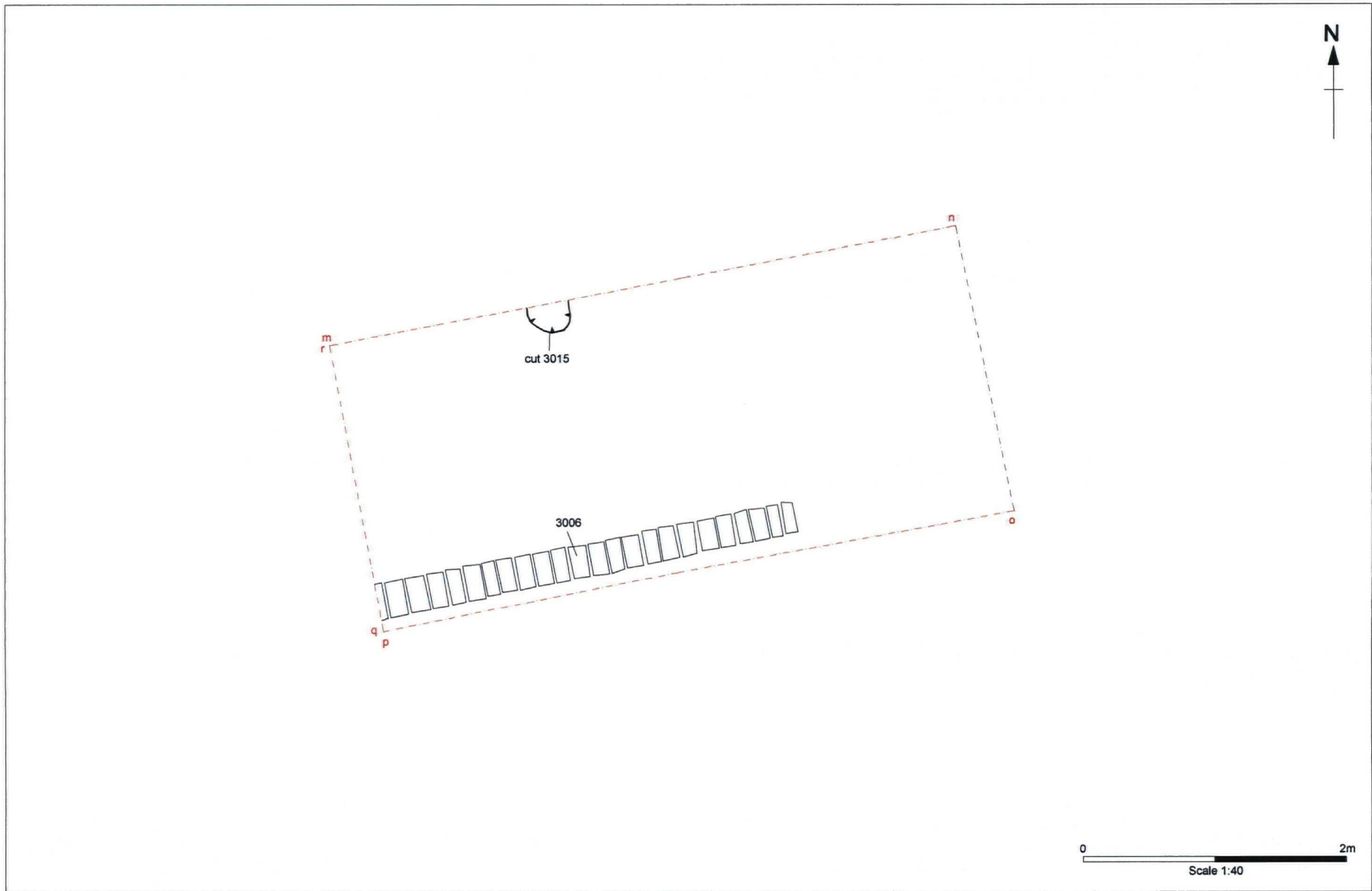


Figure 15. Trench 3. Plan of Phase 3 Features

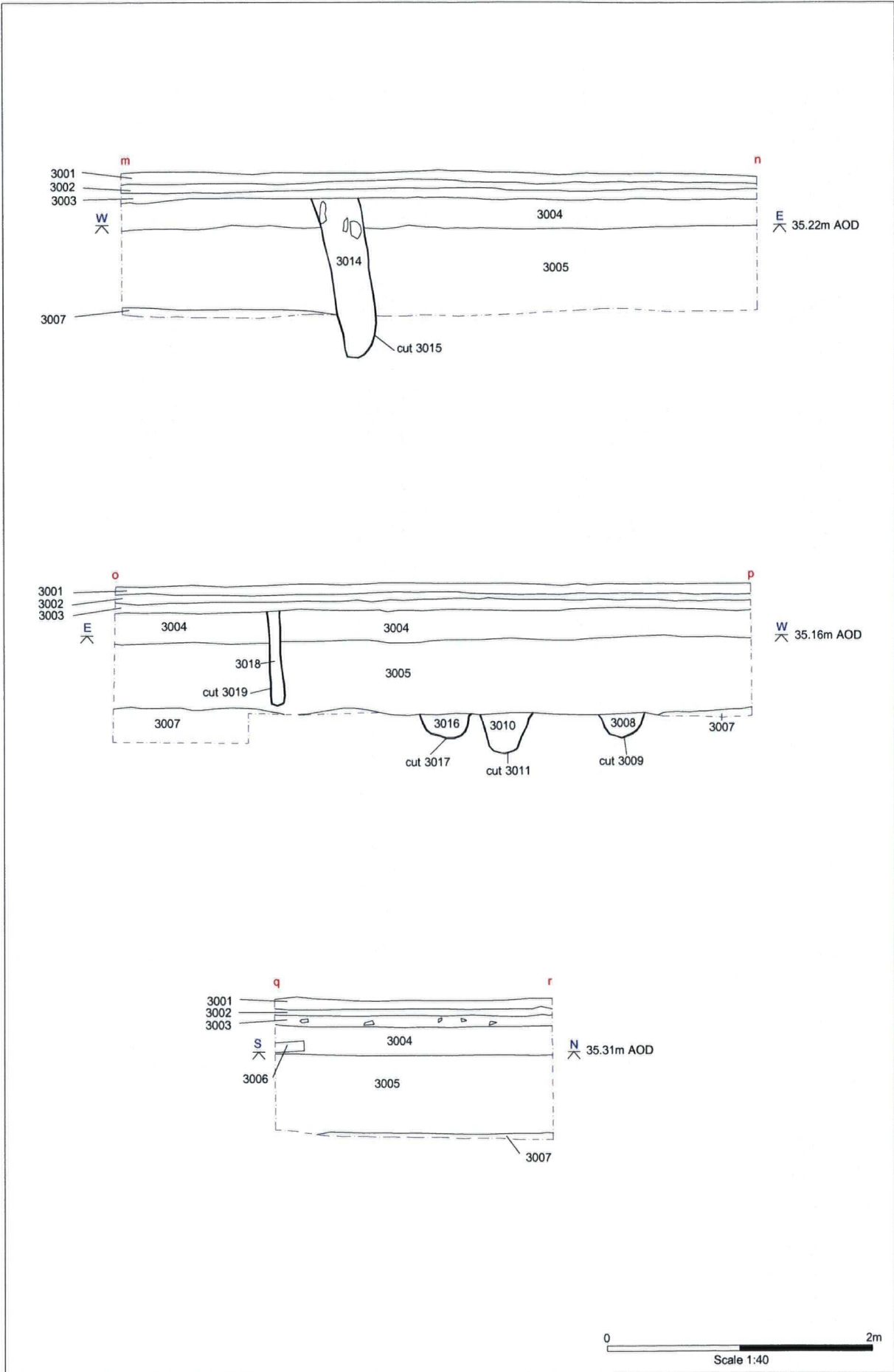


Figure 16. Trench 3 Sections



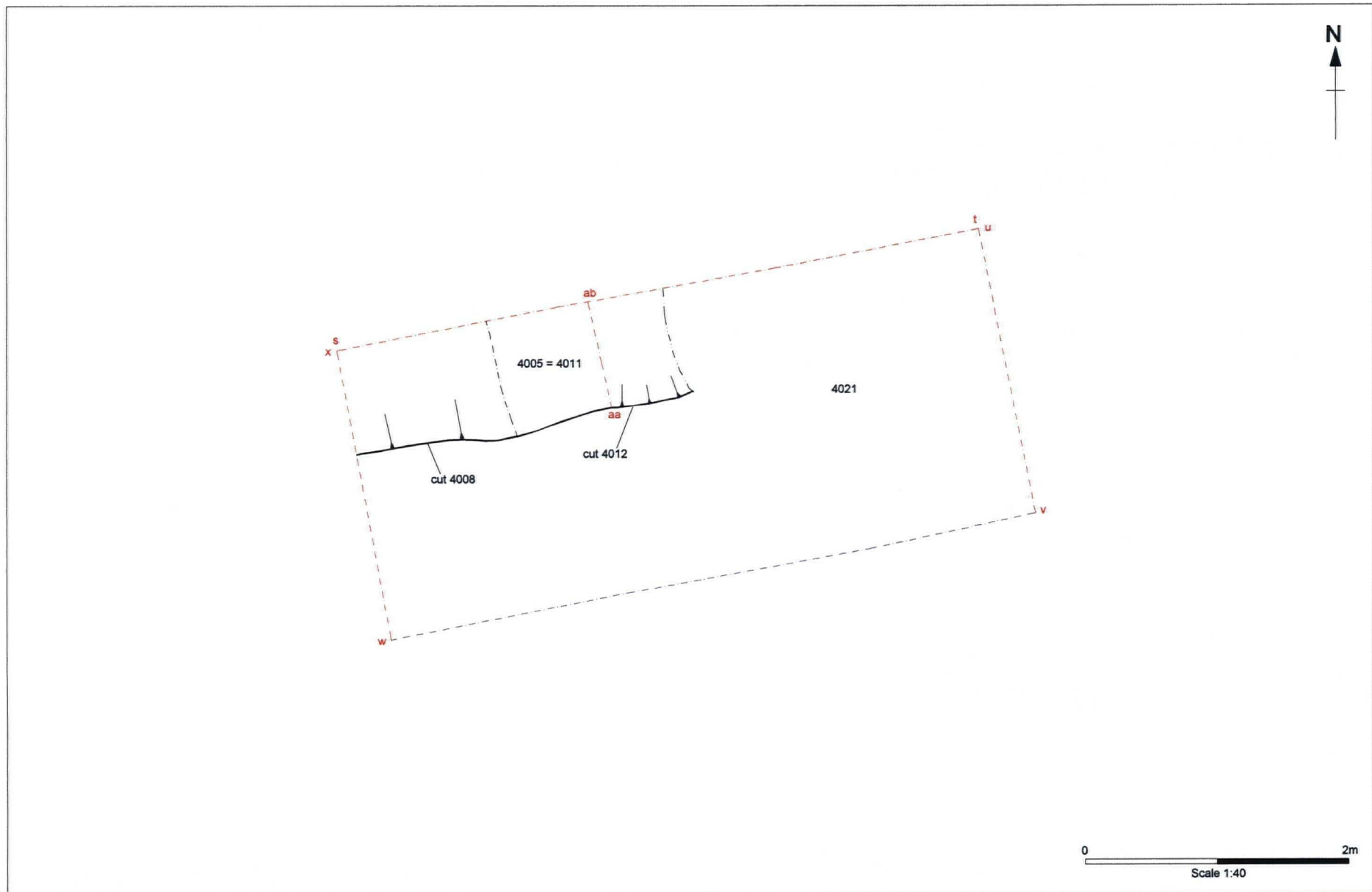


Figure 17. Trench 4. Plan of Phase 1 Features

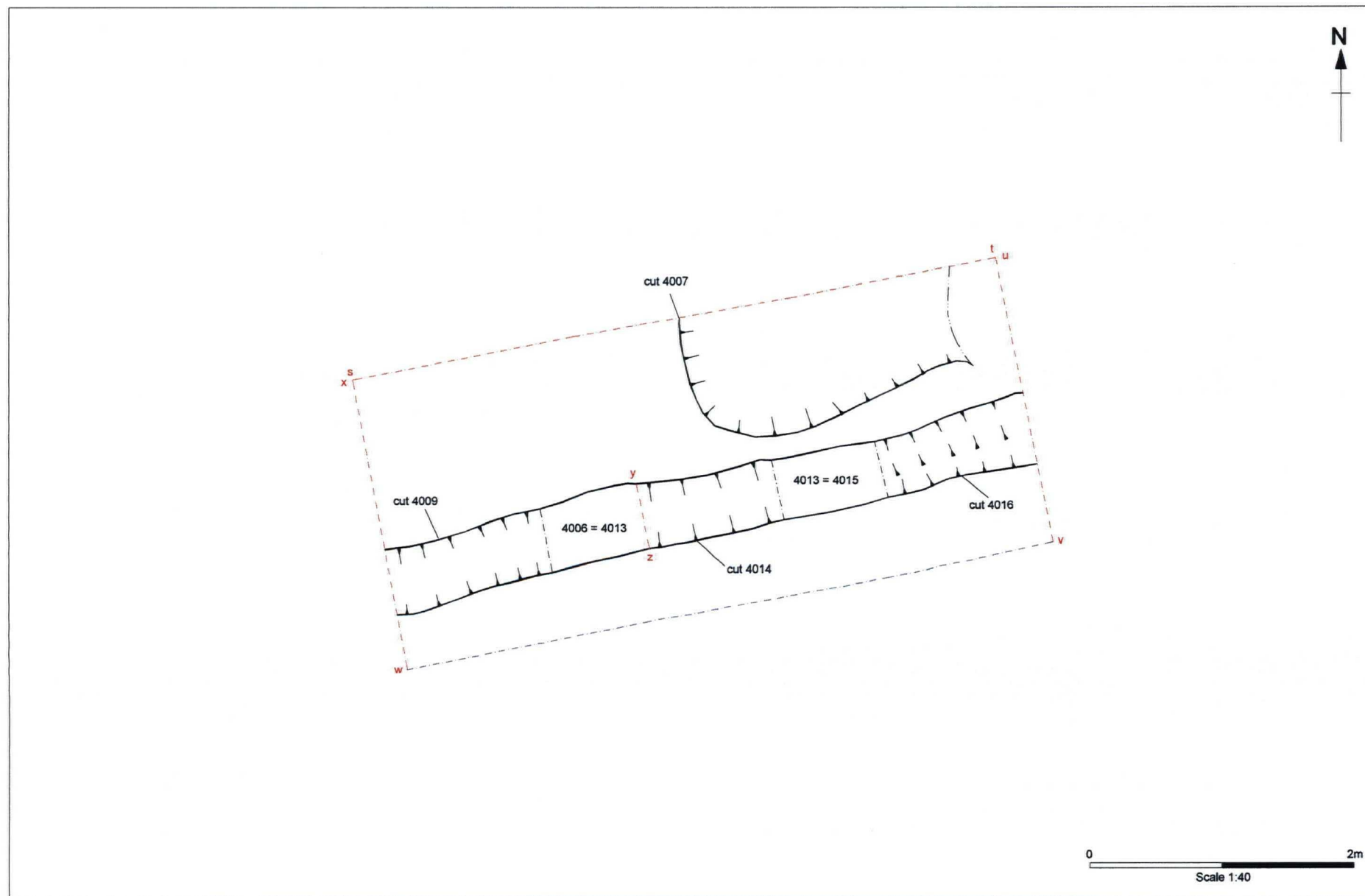


Figure 18. Trench 4. Plan of Phase 2 Features

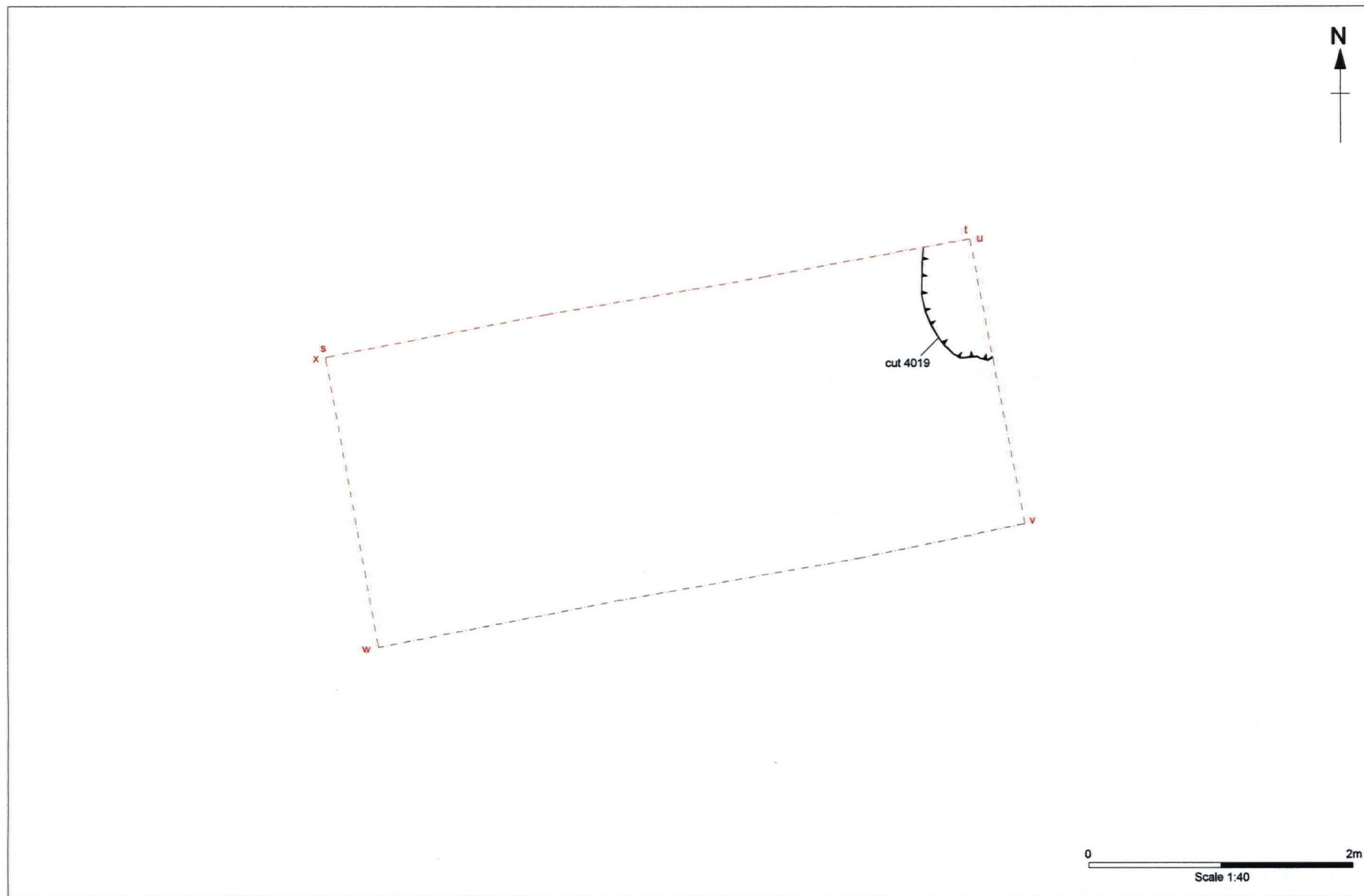


Figure 19. Trench 4. Plan of Phase 3 Features

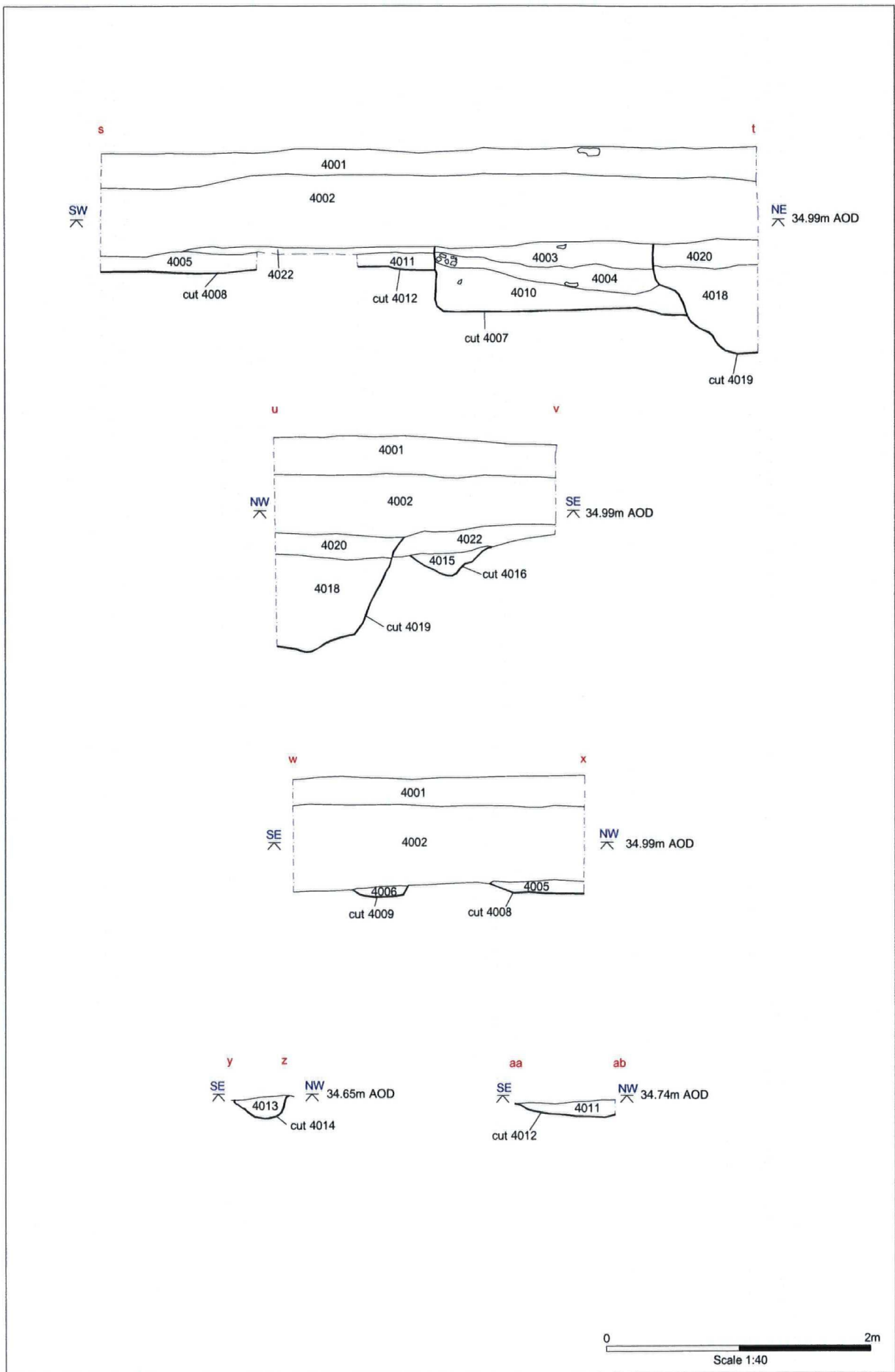


Figure 20. Trench 4 Sections