

MAP

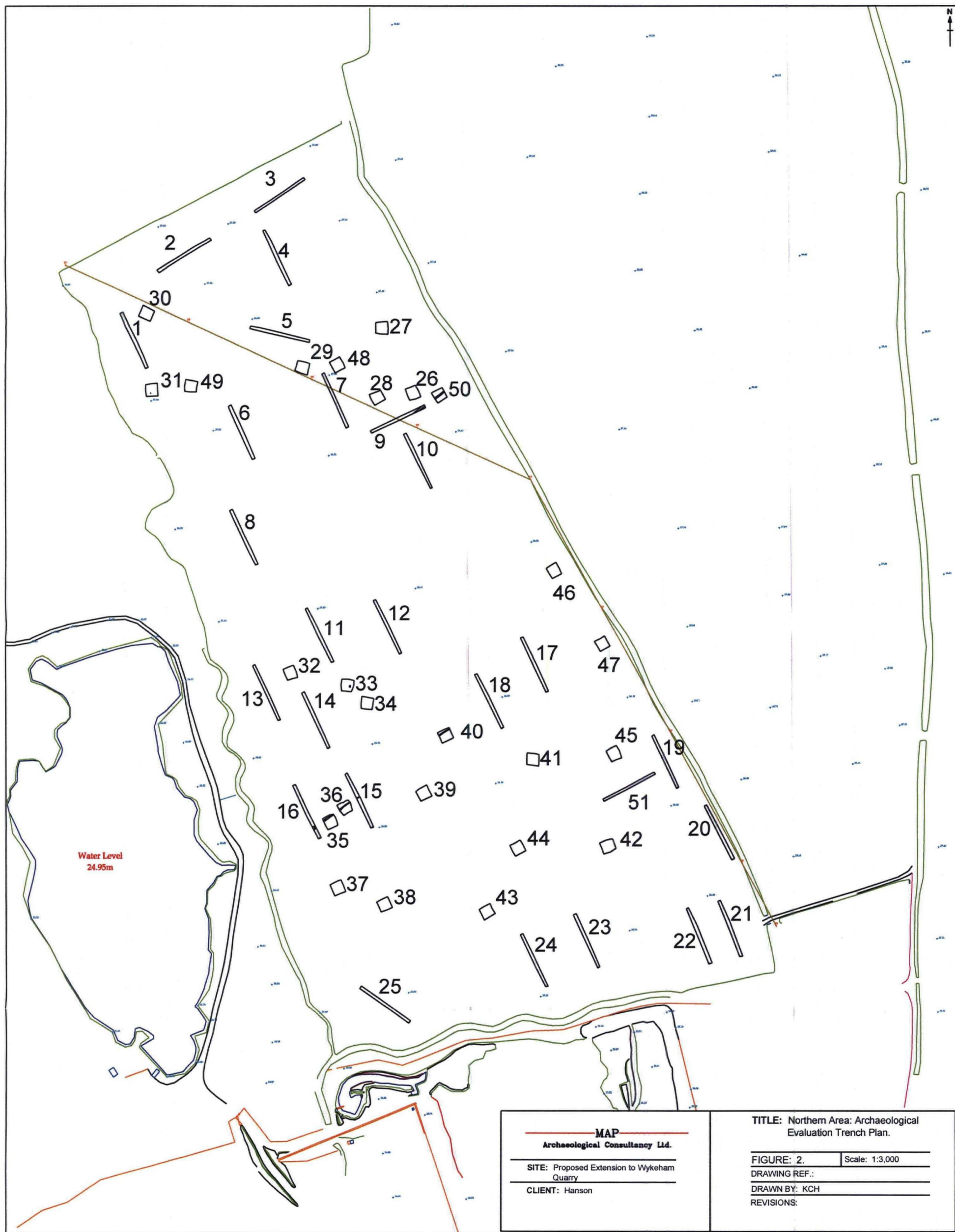
Archaeological Consultancy Ltd.

SITE: Proposed Extension to Wykeham Quarry,
North Yorkshire

CLIENT: Hanson.

TITLE: Site Location.

Figure 1.	Scale: 1:50,000
DRAWING REF.:	
DRAWN BY: KCH	
REVISIONS:	



MAP
Archaeological Consultancy Ltd.

SITE: Proposed Extension to Wykeham Quarry

CLIENT: Hanson

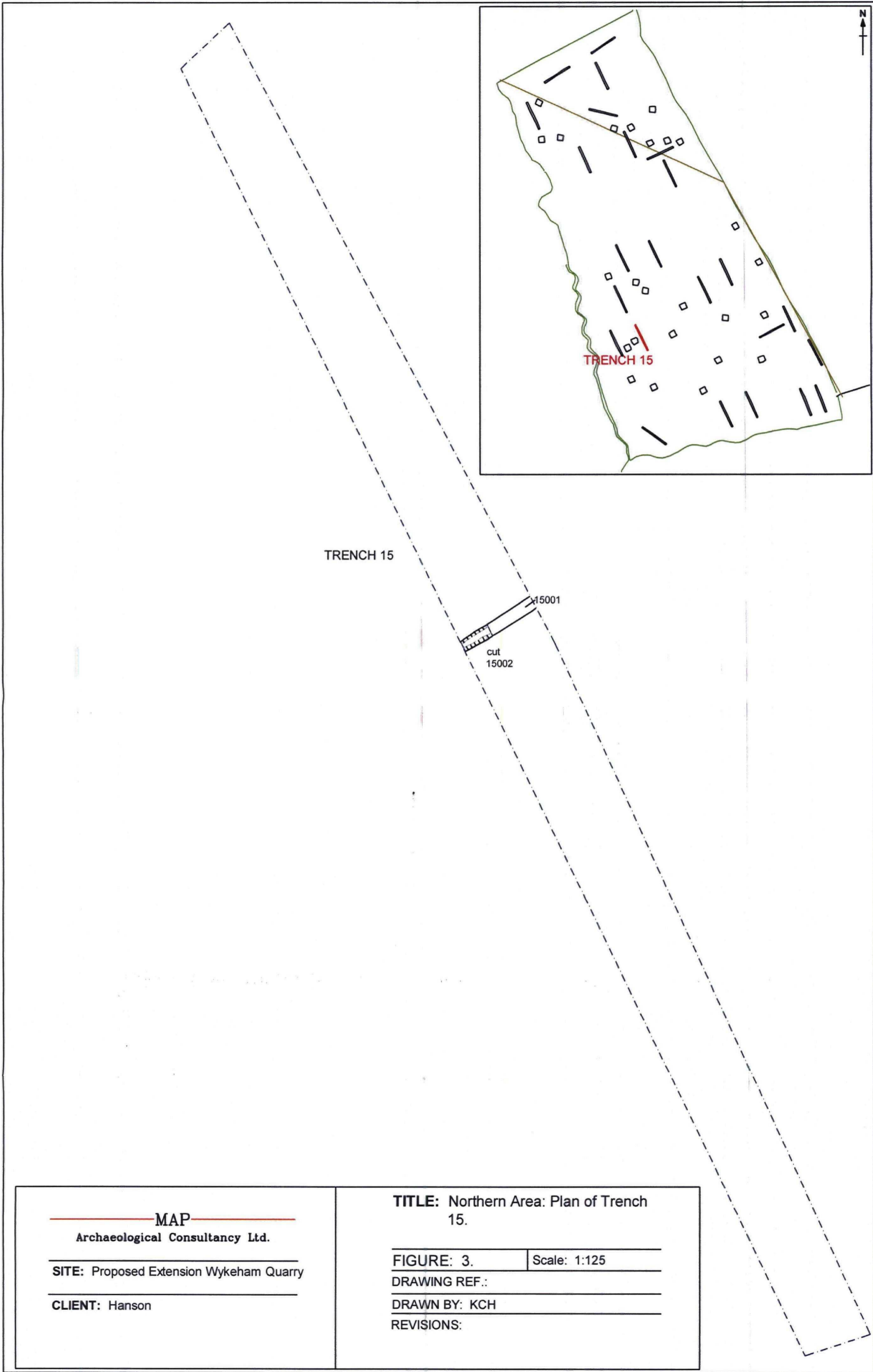
TITLE: Northern Area: Archaeological Evaluation Trench Plan.

FIGURE: 2. **Scale:** 1:3,000

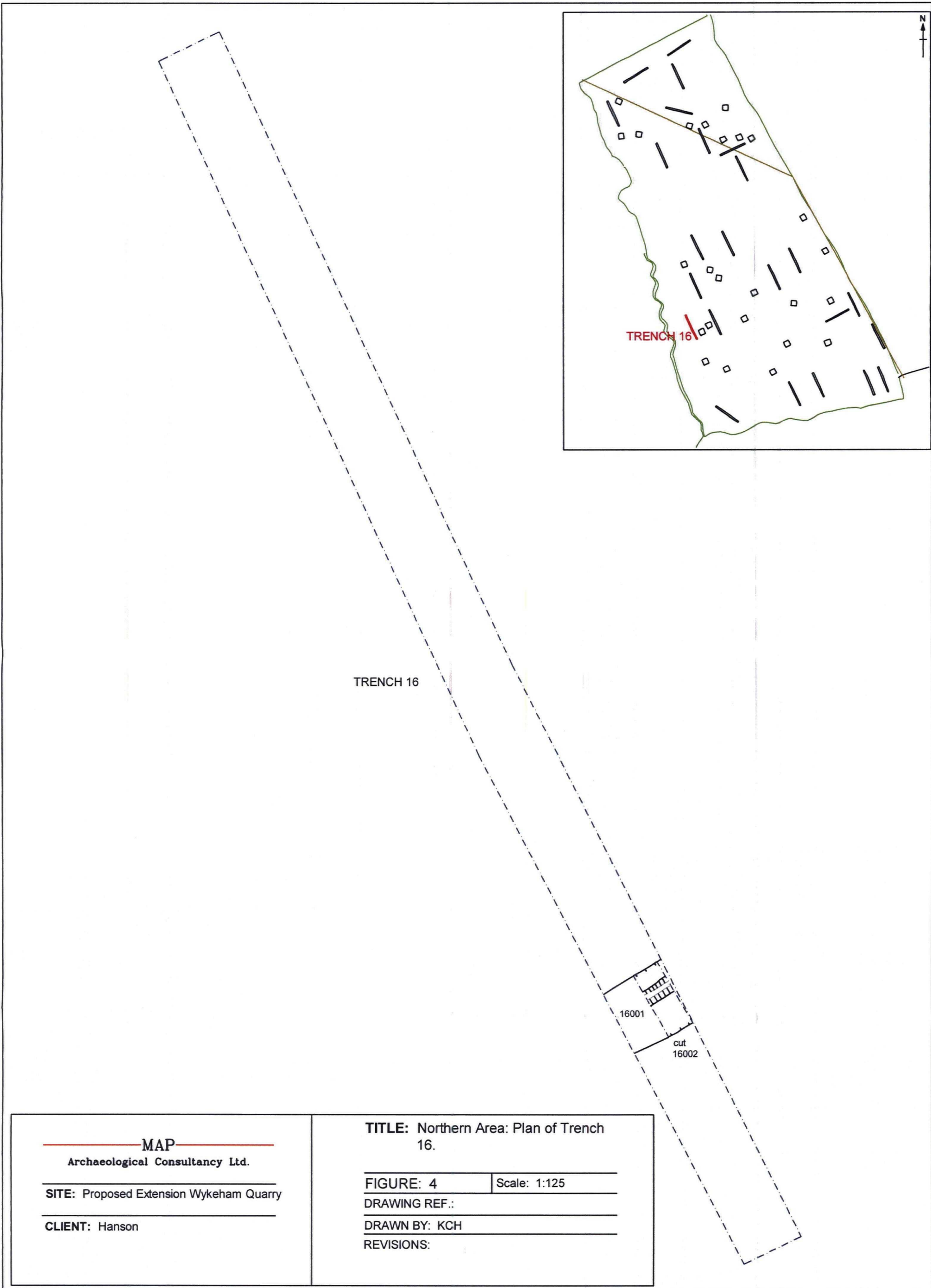
DRAWING REF.:

DRAWN BY: KCH

REVISIONS:



<p style="text-align: center;">MAP</p> <p style="text-align: center;">Archaeological Consultancy Ltd.</p> <hr/> <p>SITE: Proposed Extension Wykeham Quarry</p> <hr/> <p>CLIENT: Hanson</p>	<p>TITLE: Northern Area: Plan of Trench 15.</p> <hr/> <p>FIGURE: 3. Scale: 1:125</p> <hr/> <p>DRAWING REF.:</p> <hr/> <p>DRAWN BY: KCH</p> <hr/> <p>REVISIONS:</p>
---	---



TRENCH 16

TRENCH 16

16001

cut
16002

MAP
Archaeological Consultancy Ltd.

SITE: Proposed Extension Wykeham Quarry

CLIENT: Hanson

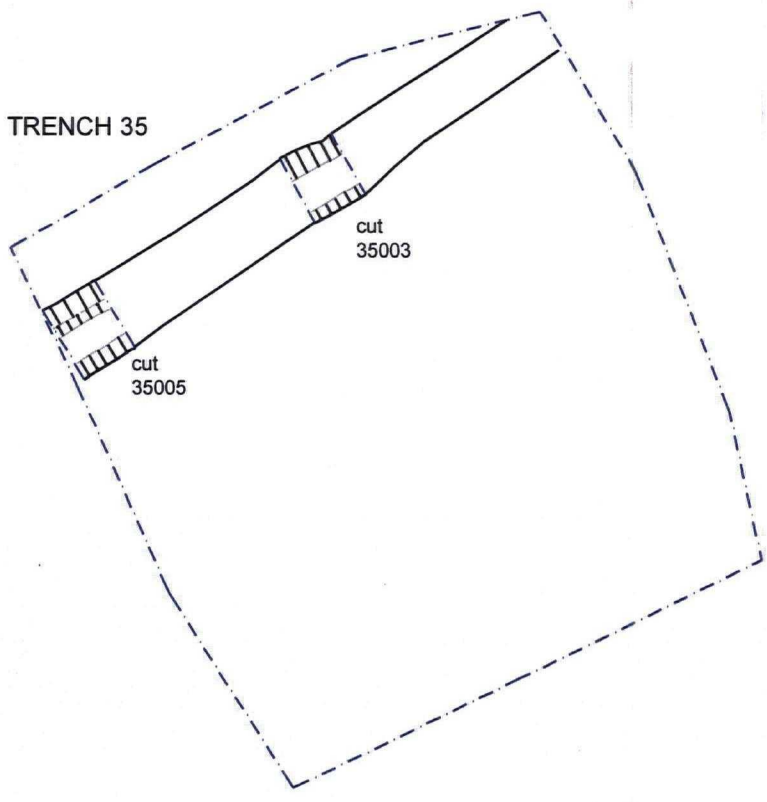
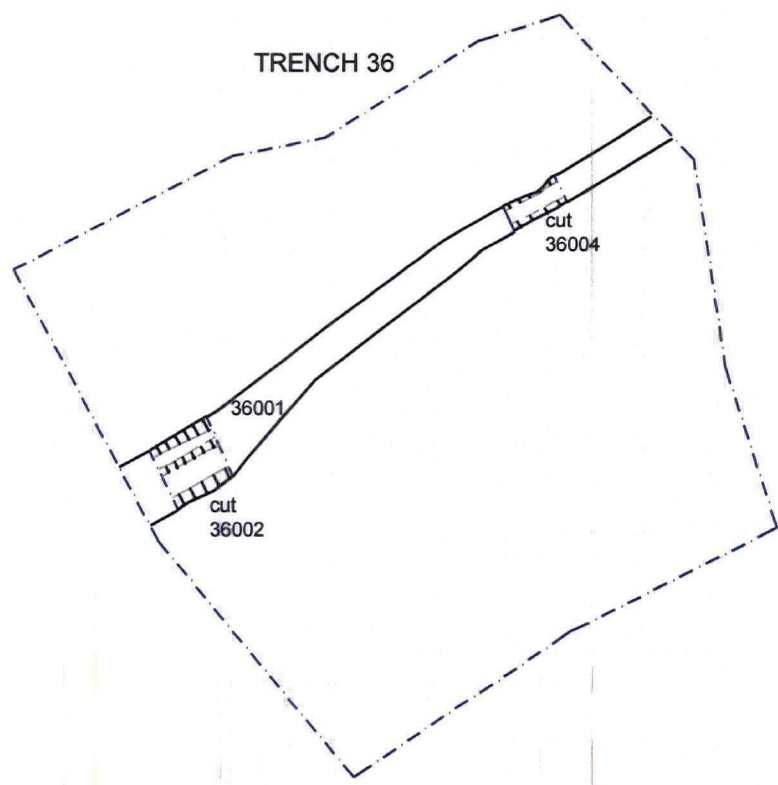
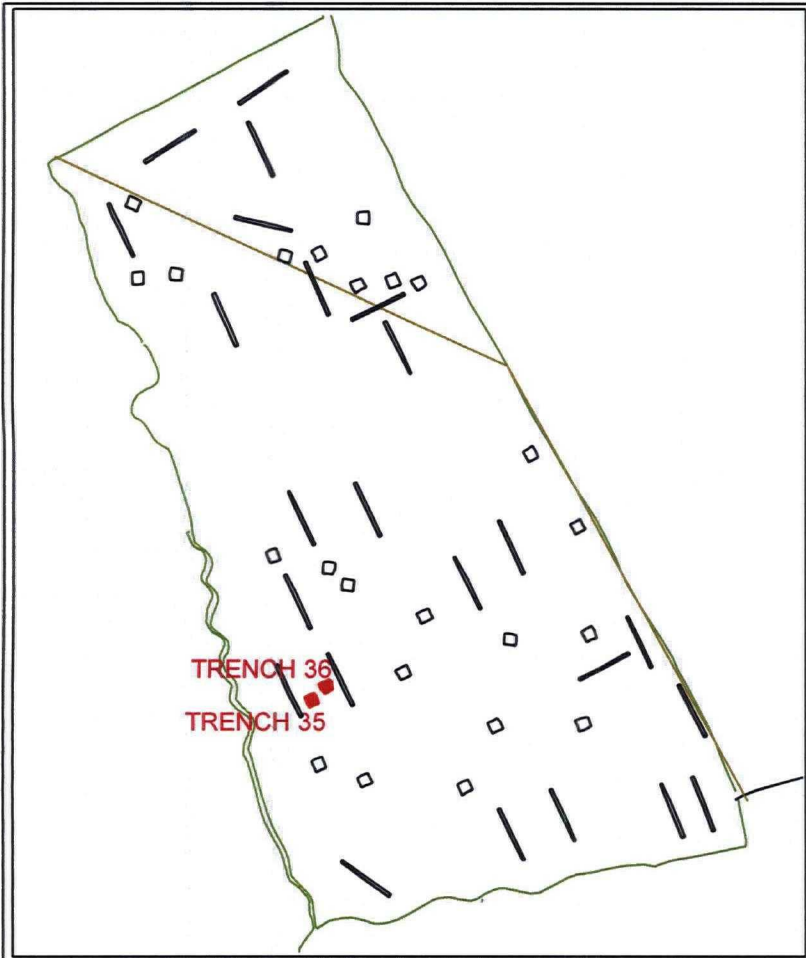
TITLE: Northern Area: Plan of Trench 16.

FIGURE: 4 | **Scale:** 1:125

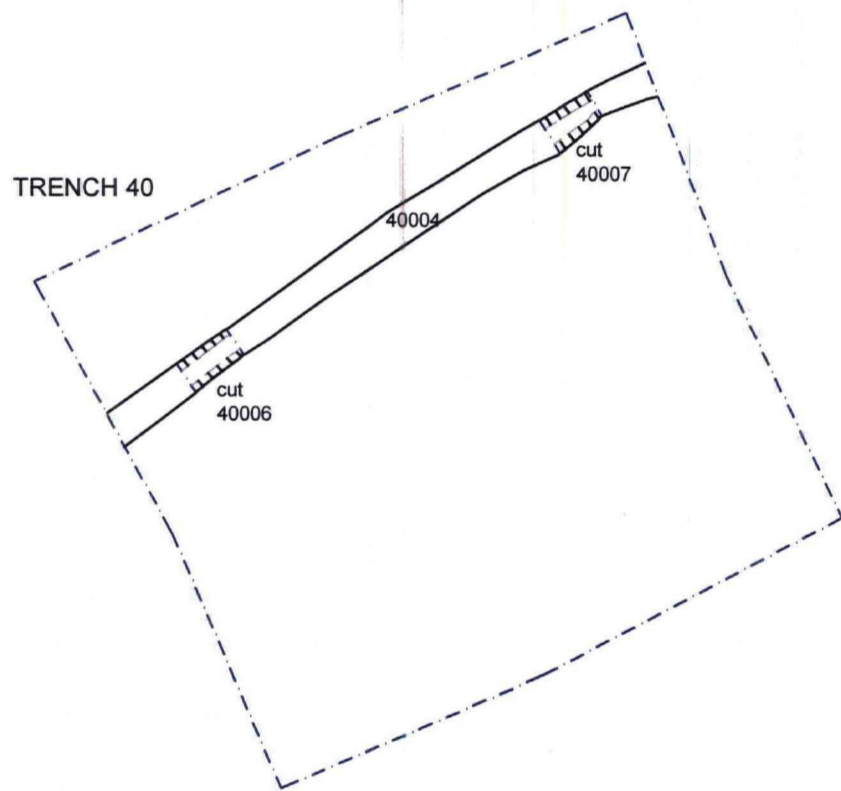
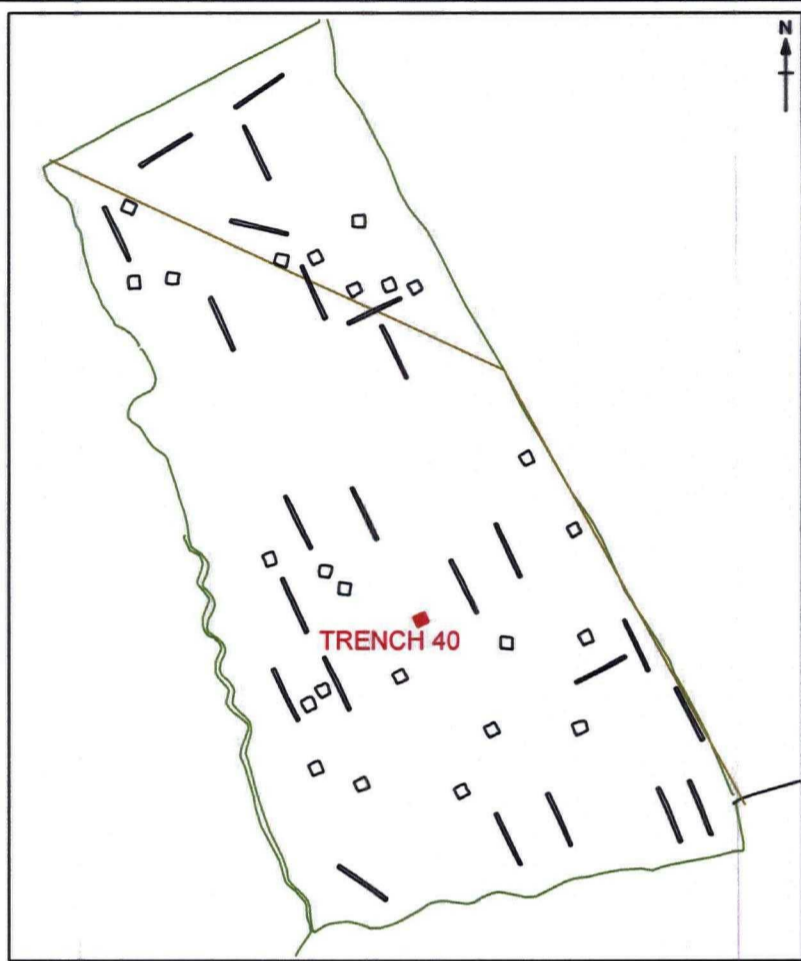
DRAWING REF.:

DRAWN BY: KCH

REVISIONS:



<p>MAP Archaeological Consultancy Ltd.</p>	<p>TITLE: Northern Area: Plan of Trenches 35 and 36.</p>
<p>SITE: Proposed Extension Wykeham Quarry</p>	<p>FIGURE: 5. Scale: 1:125</p>
<p>CLIENT: Hanson</p>	<p>DRAWING REF.:</p>
	<p>DRAWN BY: KCH</p>
	<p>REVISIONS:</p>



MAP
Archaeological Consultancy Ltd.

SITE: Proposed Extension Wykeham Quarry

CLIENT: Hanson

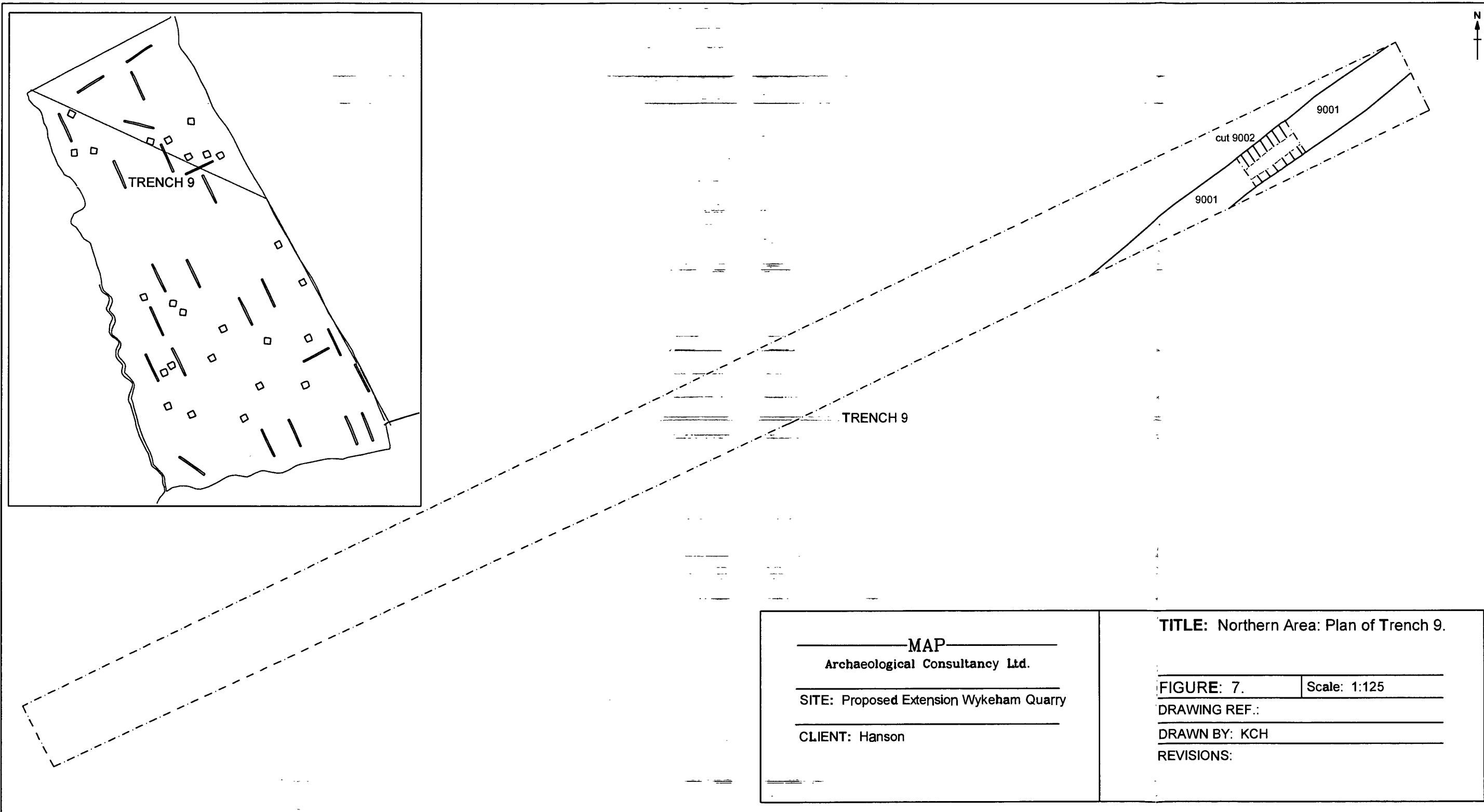
TITLE: Northern Area: Plan of Trench 40.

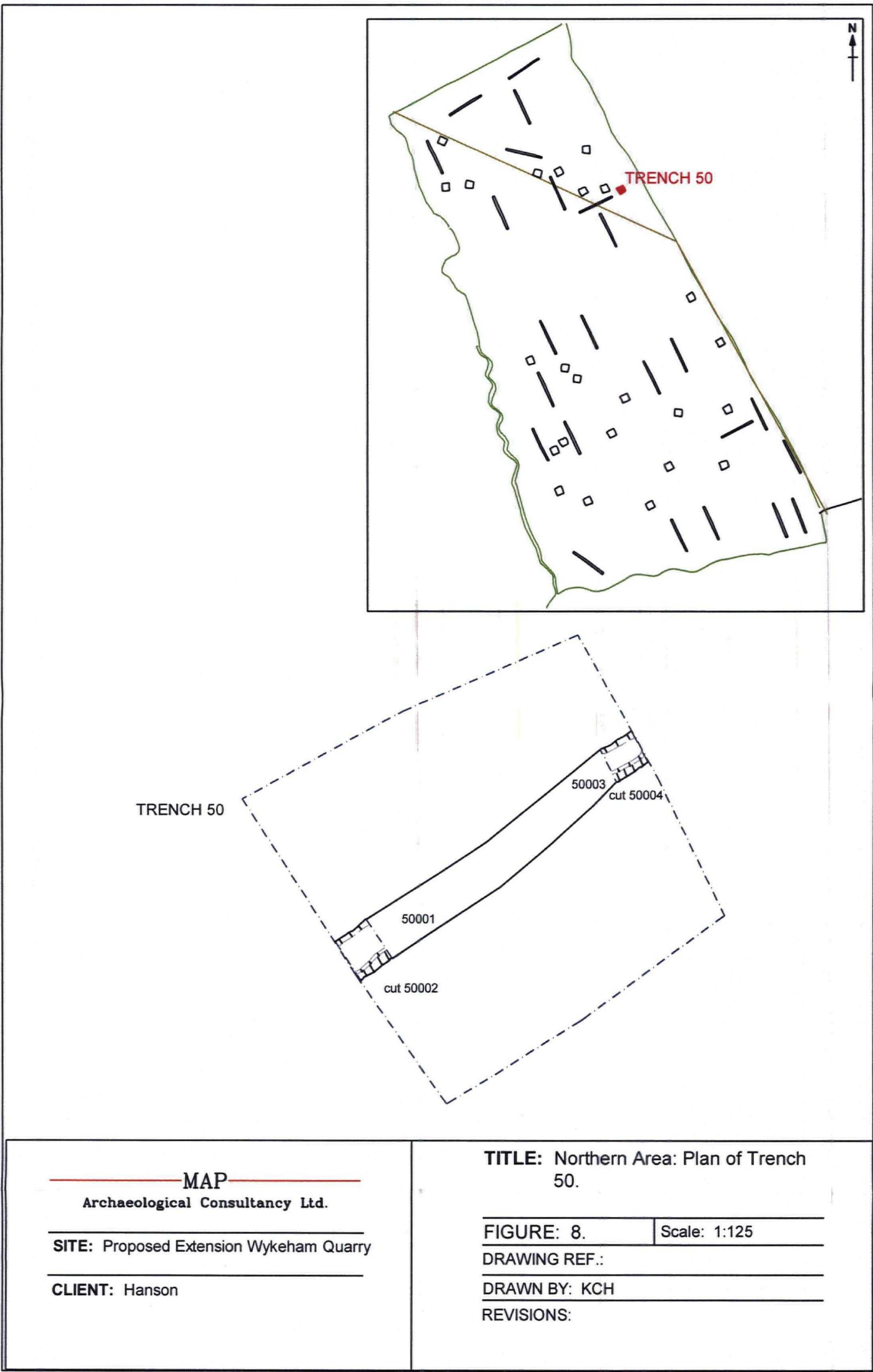
FIGURE: 6. **Scale:** 1:125

DRAWING REF.:

DRAWN BY: KCH

REVISIONS:





MAP
 Archaeological Consultancy Ltd.

SITE: Proposed Extension Wykeham Quarry

CLIENT: Hanson

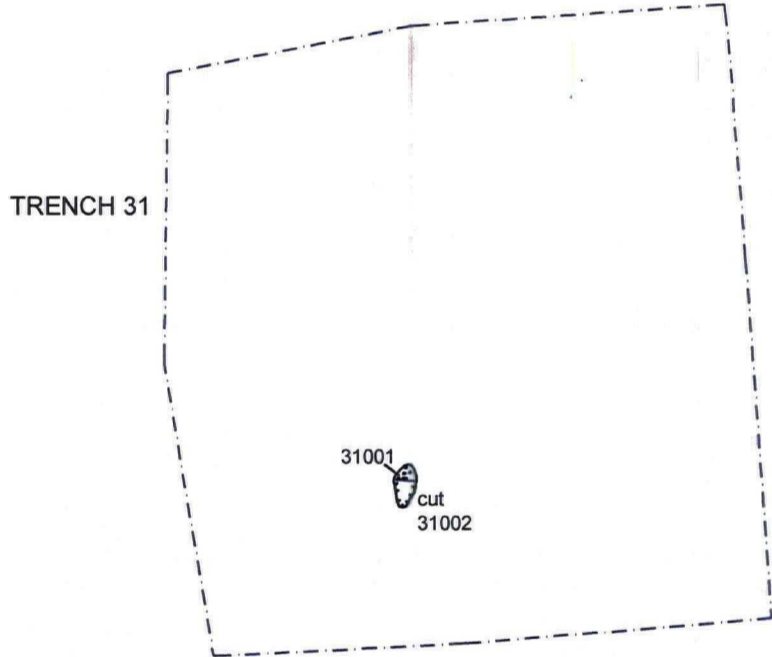
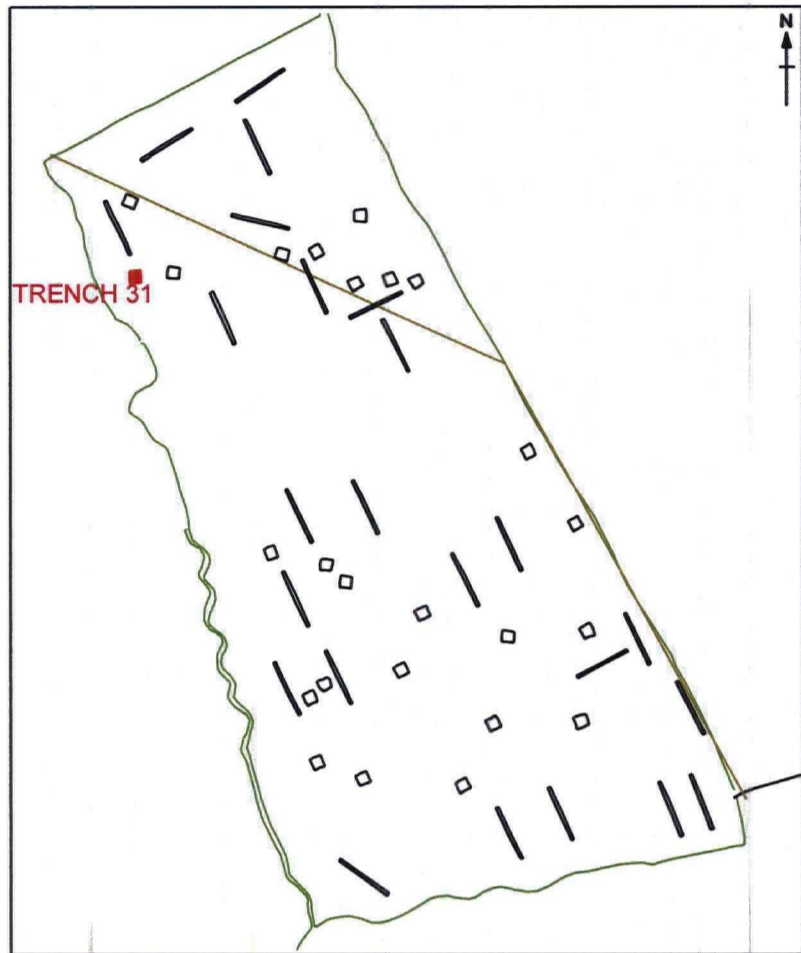
TITLE: Northern Area: Plan of Trench 50.

FIGURE: 8. Scale: 1:125

DRAWING REF.:

DRAWN BY: KCH

REVISIONS:



MAP
Archaeological Consultancy Ltd.

SITE: Proposed Extension Wykeham Quarry

CLIENT: Hanson

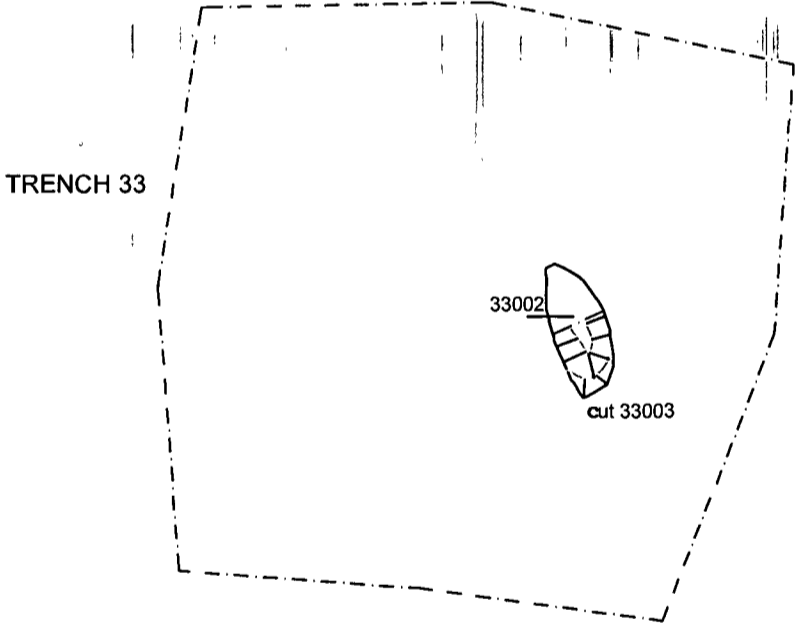
TITLE: Northern Area: Plan of Trench 31.

FIGURE: 9. Scale: 1:125

DRAWING REF.:

DRAWN BY: KCH

REVISIONS:



MAP
 Archaeological Consultancy Ltd.
 SITE: Proposed Extension Wykeham Quarry
 CLIENT: Hanson

TITLE: Northern Area: Plan of Trench 33.
 FIGURE: 10. Scale: 1:125
 DRAWING REF.:
 DRAWN BY: KCH
 REVISIONS: