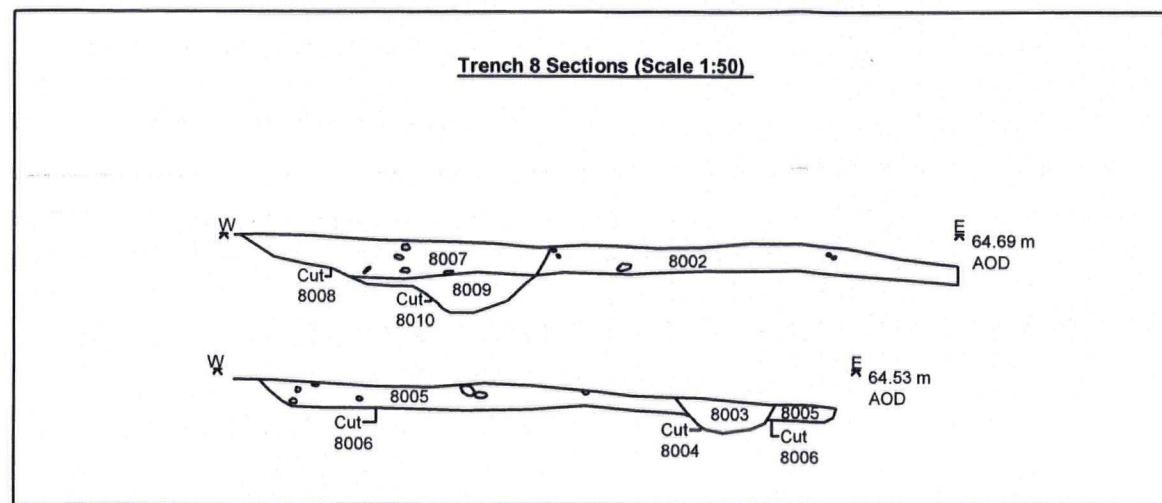
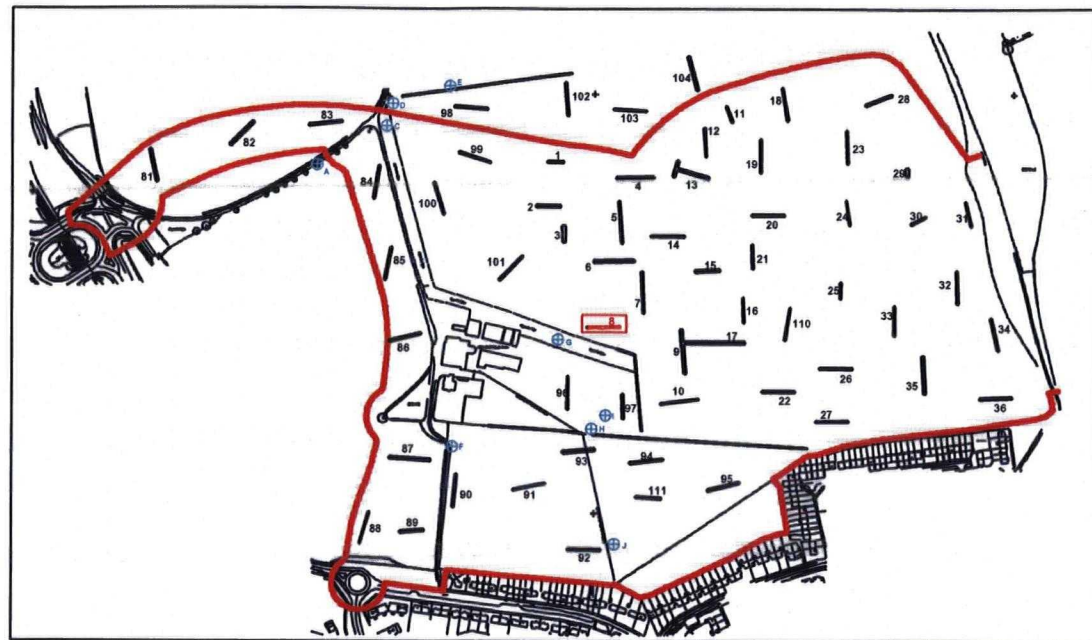
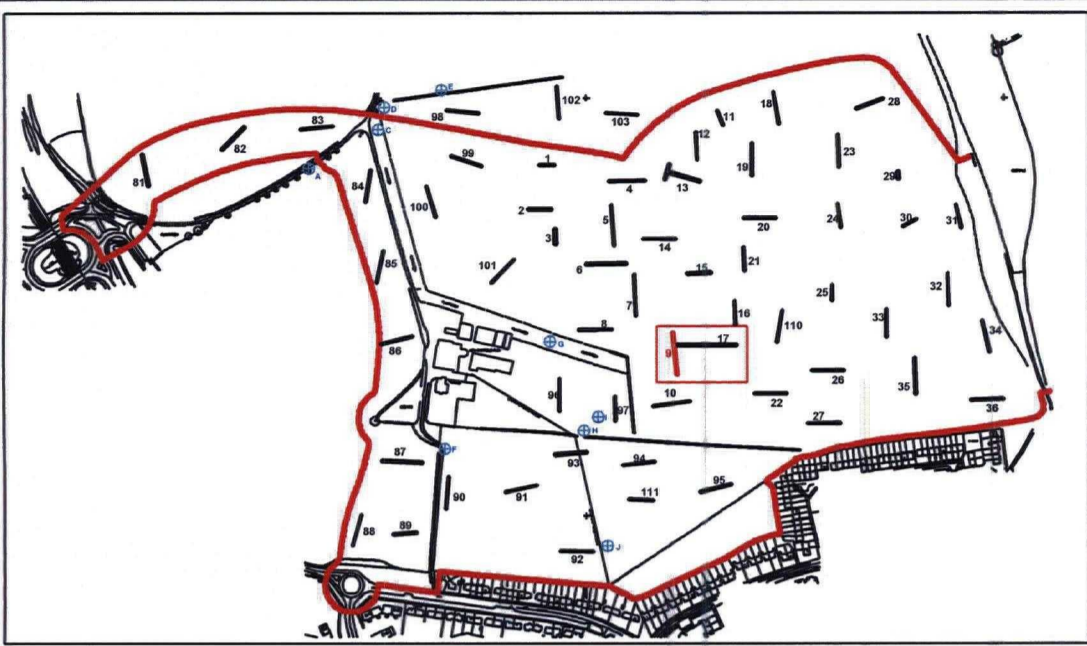


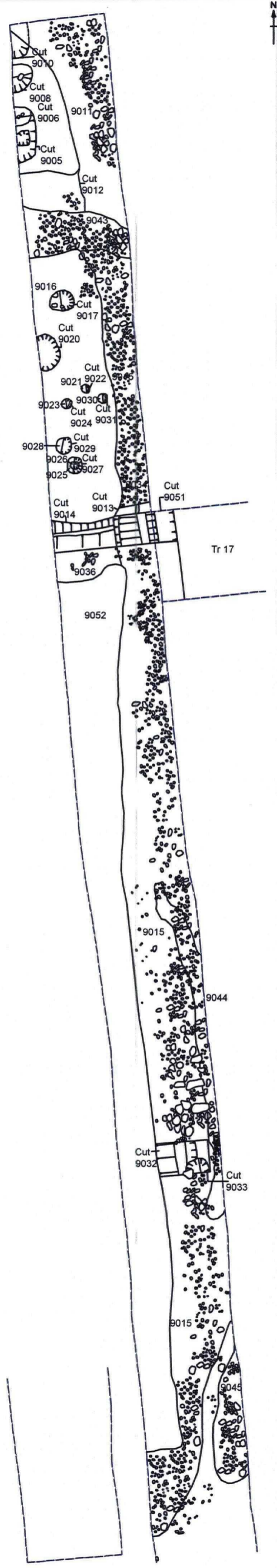
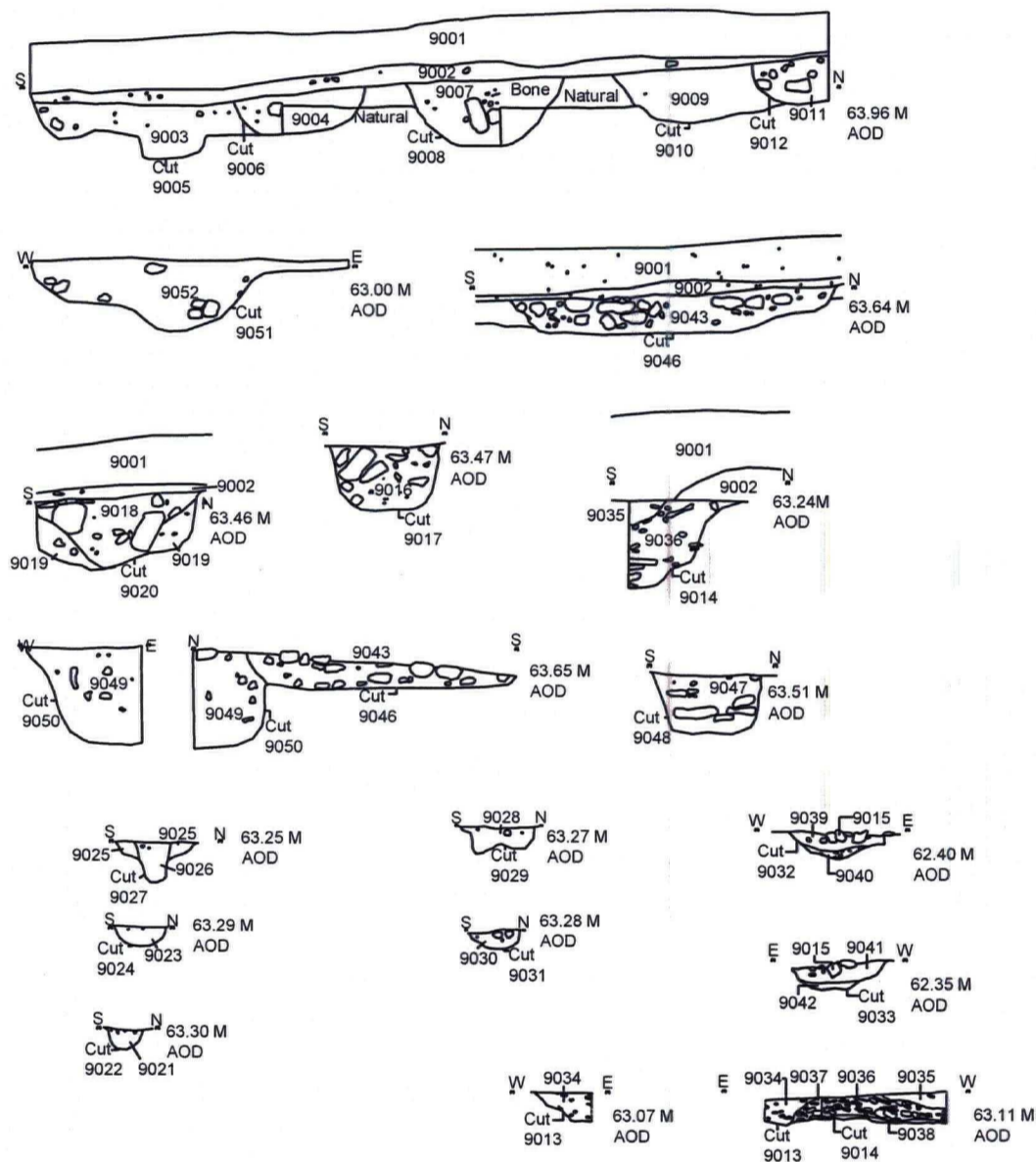
<p>MAP</p> <p>Archaeological Consultancy Ltd.</p>		<p>TITLE: Trench 7 Sections</p>	
<p>SITE: High Eastfield, Scarborough</p>		<p>FIGURE: 11</p>	<p>Scale: 1:75</p>
<p>CLIENT: Scarborough Borough Council</p>		<p>DRAWING REF.:</p>	
		<p>DRAWN BY: TWS</p>	
		<p>REVISIONS:</p>	



<p style="text-align: center;">MAP</p> <p style="text-align: center;">Archaeological Consultancy Ltd.</p> <hr/> <p>SITE: High Eastfield, Scarborough</p> <hr/> <p>CLIENT: Scarborough Borough Council</p>	<p>TITLE: Plan & Sections Of Trench 8</p> <hr/> <p>FIGURE: 12 Scale: 1:125</p> <hr/> <p>DRAWING REF.:</p> <hr/> <p>DRAWN BY: TWS</p> <hr/> <p>REVISIONS:</p>
--	---



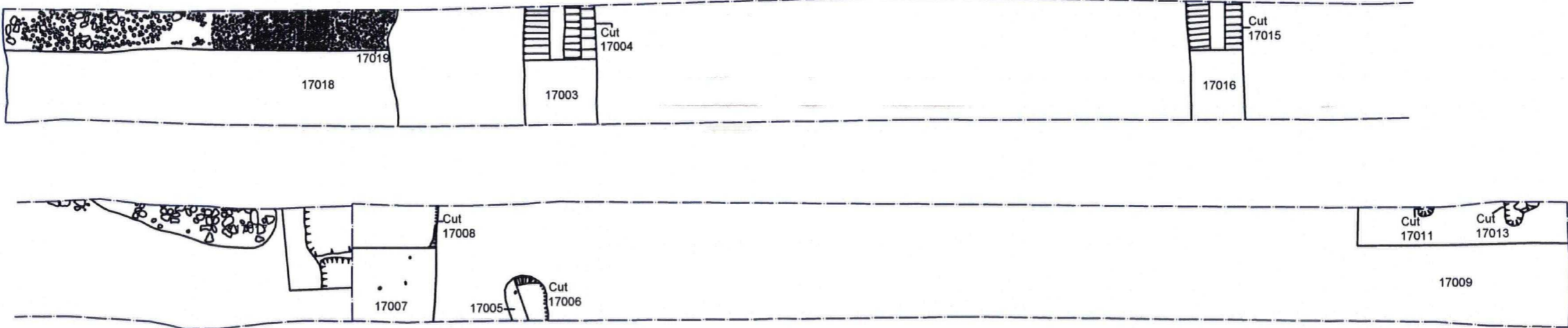
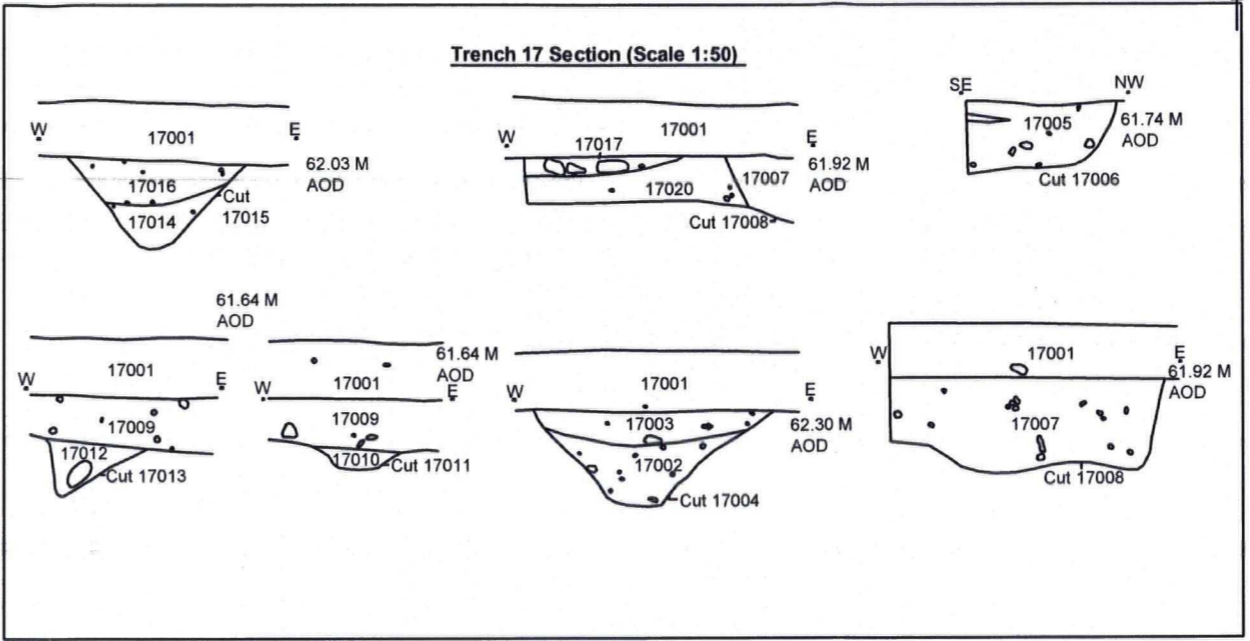
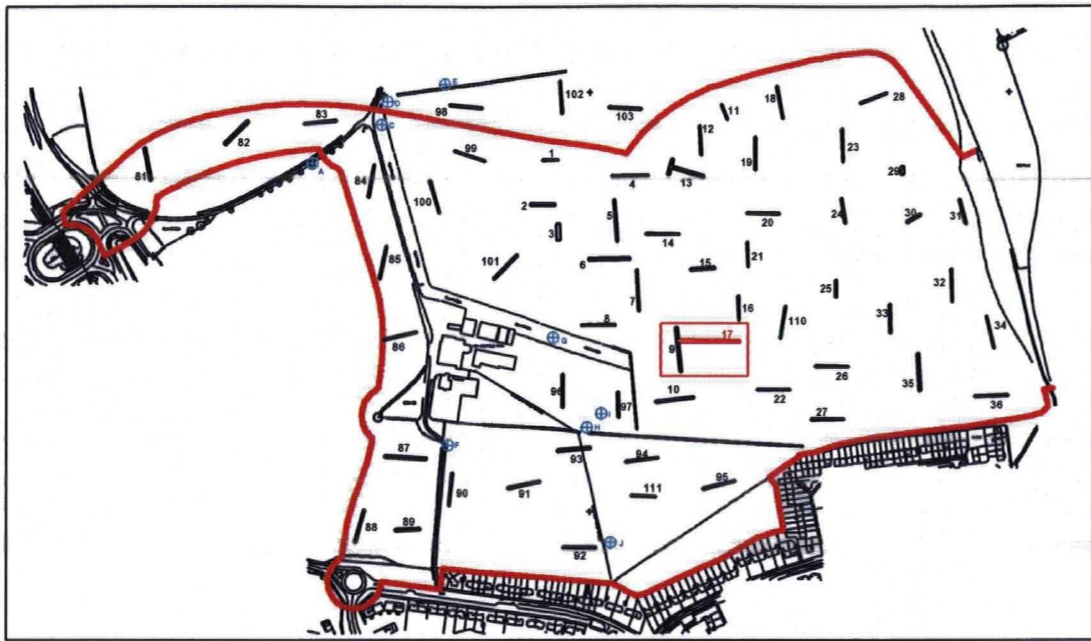
Trench 9 Sections (Scale 1:50)



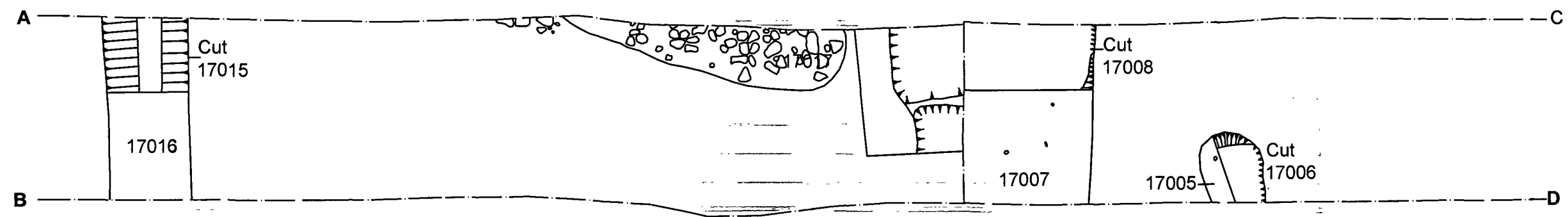
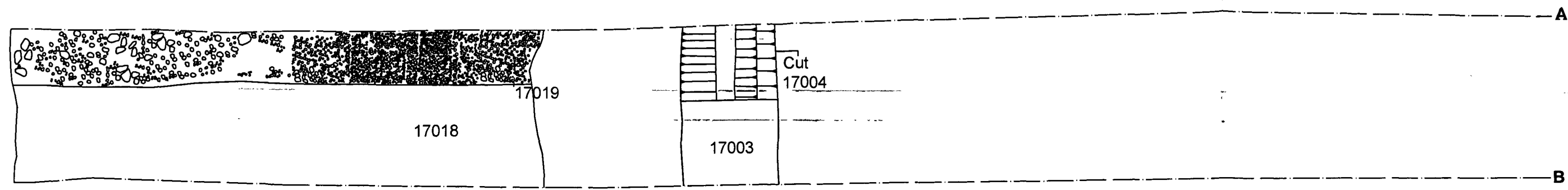
<p>MAP Archaeological Consultancy Ltd.</p> <p>SITE: High Eastfield, Scarborough</p> <p>CLIENT: Scarborough Borough Council</p>	TITLE: Trench 9 Plan & Sections	
	FIGURE: 13	Scale: 1:125
	DRAWING REF.:	
	DRAWN BY: TWS	
REVISIONS:		



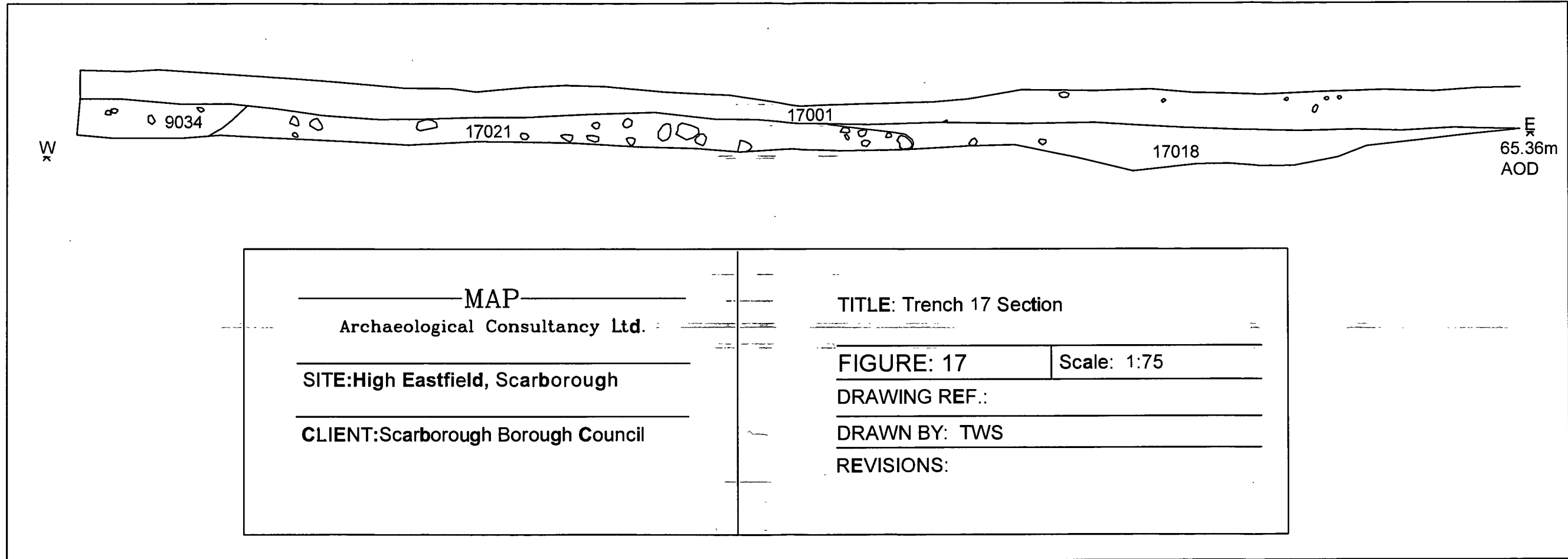
<p>MAP Archaeological Consultancy Ltd.</p>		<p>TITLE: Detailed Plan Of Trench 9</p>	
<p>SITE: High Eastfield, Scarborough</p>		<p>FIGURE: 14</p>	<p>Scale: 1:75</p>
<p>CLIENT: Scarborough Borough Council</p>		<p>DRAWING REF.:</p>	
		<p>DRAWN BY: TWS</p>	
		<p>REVISIONS:</p>	

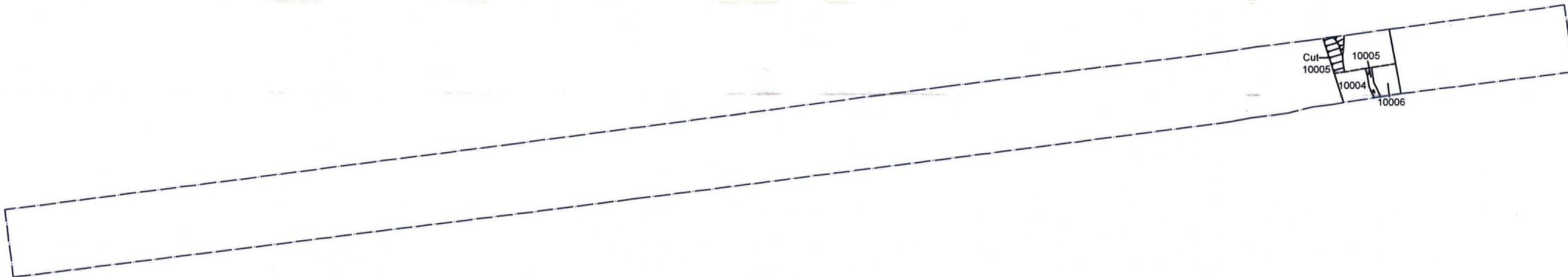
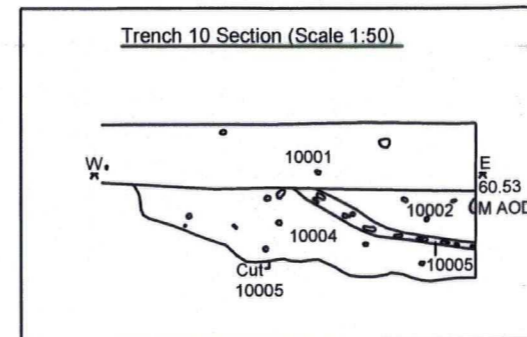
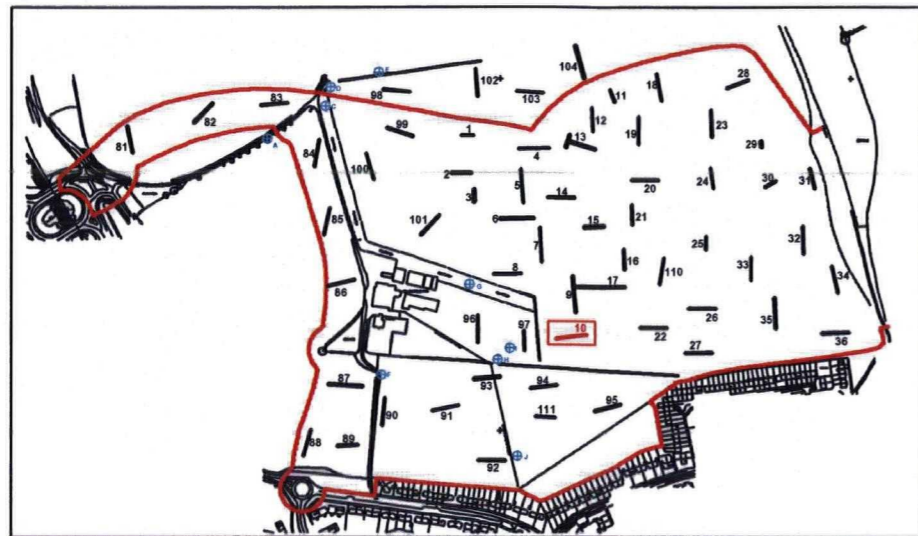


<p>MAP Archaeological Consultancy Ltd.</p> <p>SITE: High Eastfield, Scarborough</p> <p>CLIENT: Scarborough Borough Council</p>	<p>TITLE: Trench 17 Plan & Section</p> <table border="1" style="width: 100%; border-collapse: collapse;"> <tr> <td style="width: 50%;">FIGURE: 15</td> <td style="width: 50%;">Scale: 1:125</td> </tr> <tr> <td colspan="2">DRAWING REF.:</td> </tr> <tr> <td colspan="2">DRAWN BY: TWS</td> </tr> <tr> <td colspan="2">REVISIONS:</td> </tr> </table>	FIGURE: 15	Scale: 1:125	DRAWING REF.:		DRAWN BY: TWS		REVISIONS:	
FIGURE: 15	Scale: 1:125								
DRAWING REF.:									
DRAWN BY: TWS									
REVISIONS:									



<p>MAP Archaeological Consultancy Ltd.</p>	<p>TITLE: Detailed Plan Of Trench 17</p>
<p>SITE: High Eastfield, Scarborough</p>	<p>FIGURE: 16 Scale: 1:75</p>
<p>CLIENT: Scarborough Borough Council</p>	<p>DRAWING REF.:</p>
	<p>DRAWN BY: TWS</p>
	<p>REVISIONS:</p>





MAP
 Archaeological Consultancy Ltd.

SITE: High Eastfield, Scarborough

CLIENT: Scarborough Borough Council

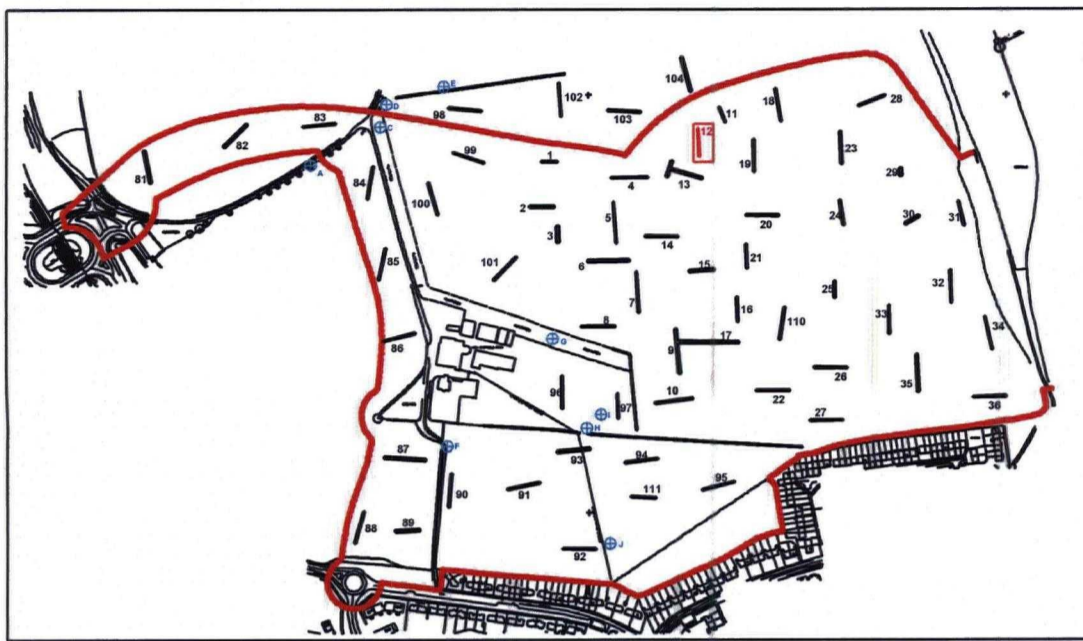
TITLE: Plan & Sections Of Trench 10

FIGURE: 18 Scale: 1:125

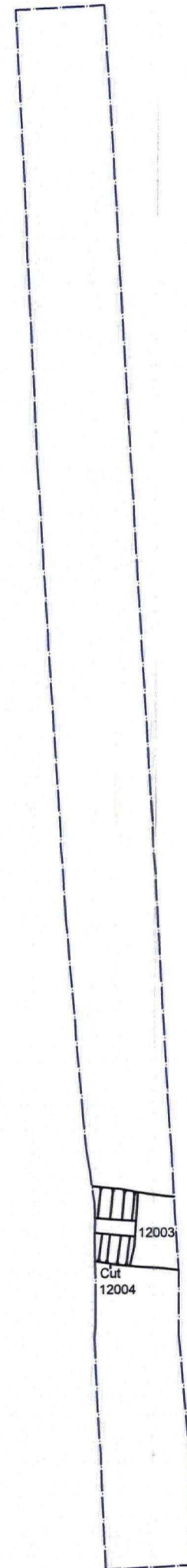
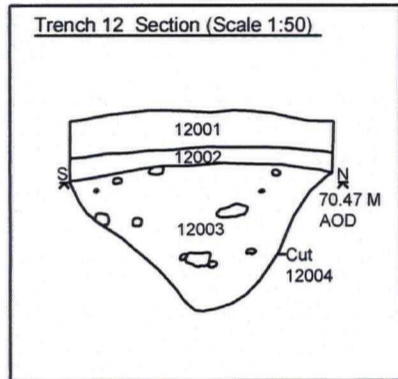
DRAWING REF.:

DRAWN BY: TWS

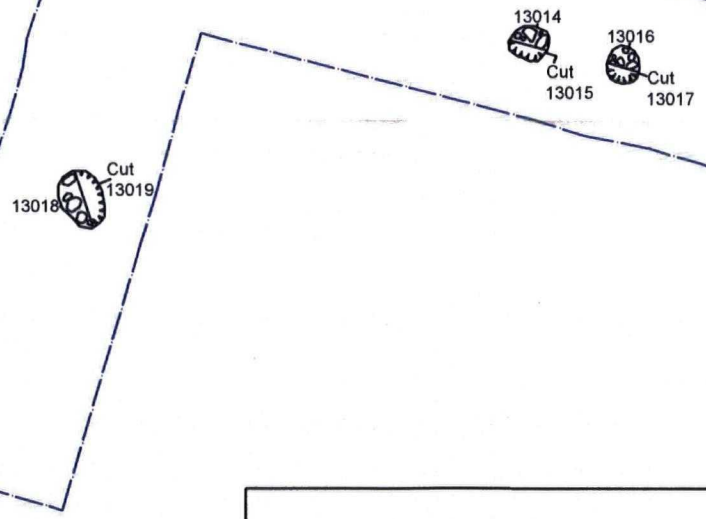
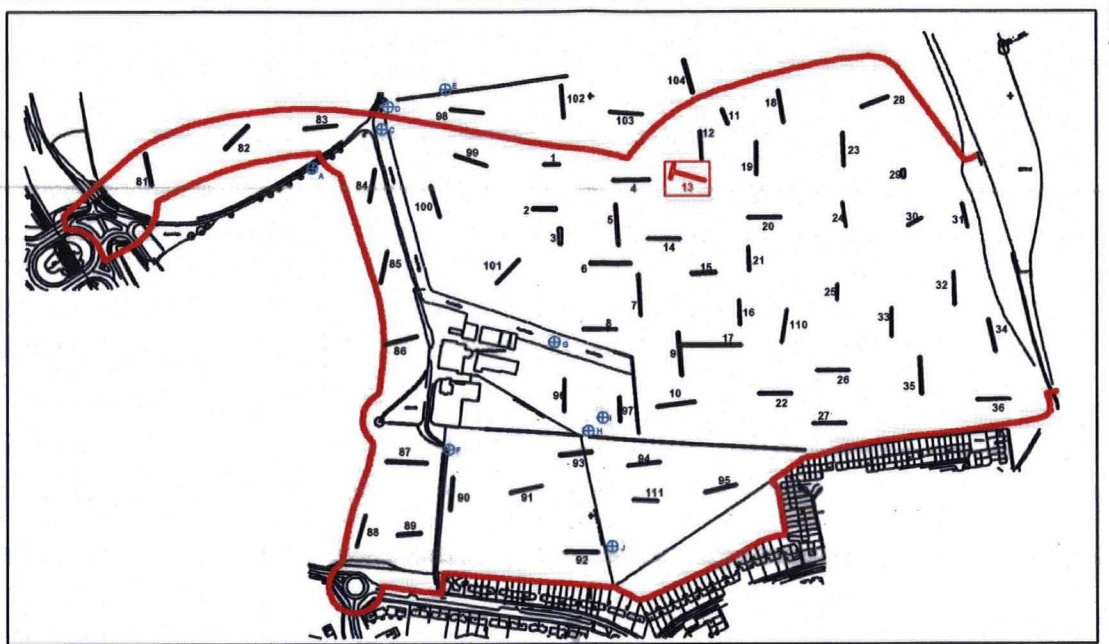
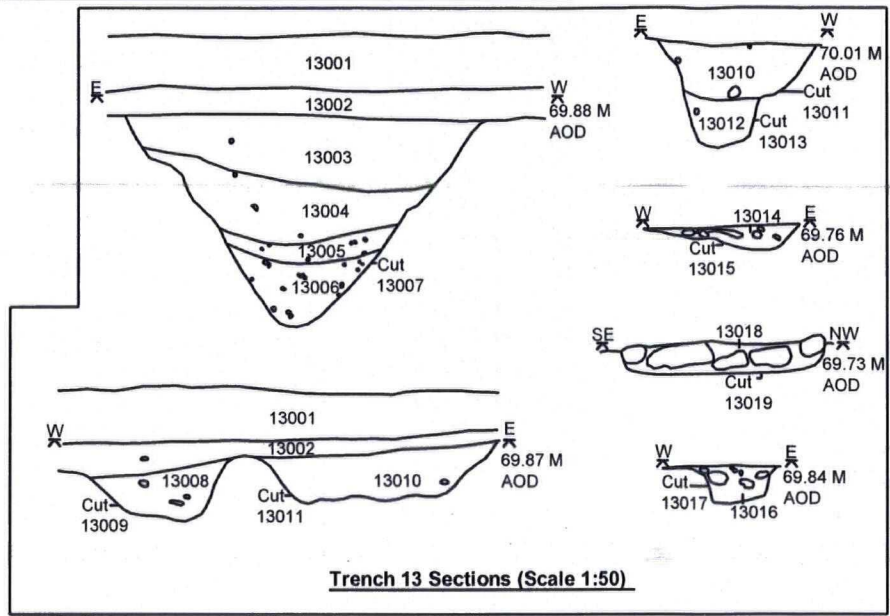
REVISIONS:



Trench 12 Section (Scale 1:50)



<p>MAP Archaeological Consultancy Ltd.</p> <p>SITE: Middle Deepdale, Scarborough</p> <p>CLIENT: Scarborough Borough Council</p>	TITLE: Trench 12 Plan & Section	
	FIGURE :19	Scale: 1:125
	DRAWING REF.:	
	DRAWN BY: TWS	
REVISIONS:		



MAP Archaeological Consultancy Ltd.	TITLE: Plan & Sections Of Trench 13	
	FIGURE: 20	Scale: 1:125
	DRAWING REF.:	
	DRAWN BY: TWS	
REVISIONS:		