

Reproduced from the Ordnance Survey 1:25,000 map with the permission of Her Majesty's Stationery Office, © Crown Copyright
 Pre-Construct Archaeology, Unit 54, Brockley Cross Business Centre, 96 Endwell Road, Brockley, London SE4 2PD. ALD 51984A0001

Figure 1
 Site Location
 1:20,000

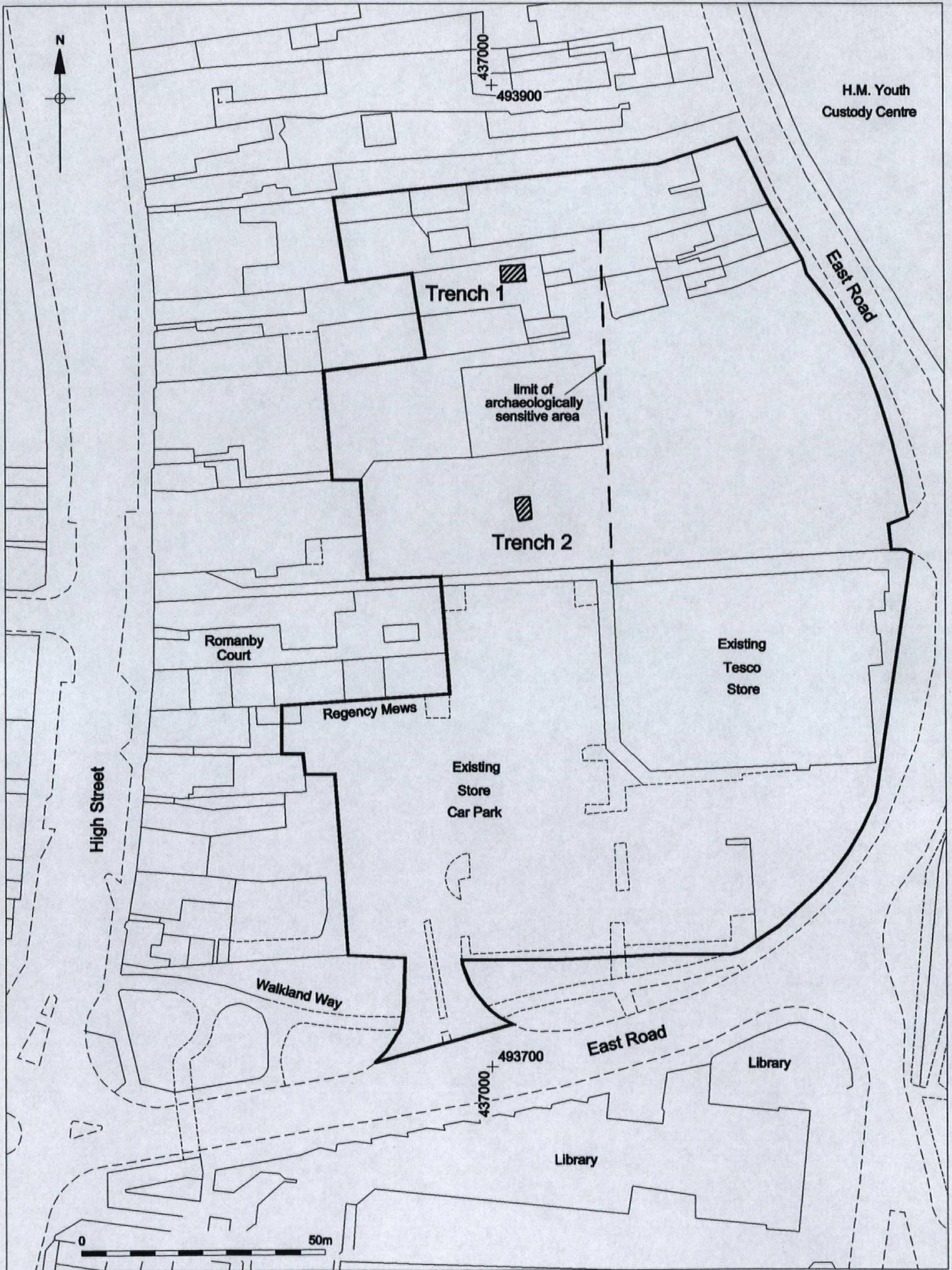


Figure 2
Trench Location
1:1000



- GRID REFS.
- FLOOR LEVELS + TOP LEVELS.

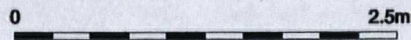
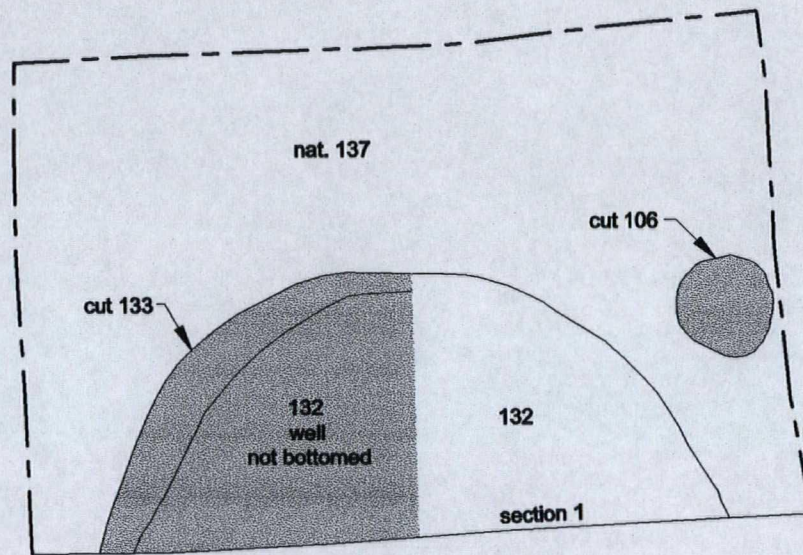


Figure 3
Trench 1
1:50

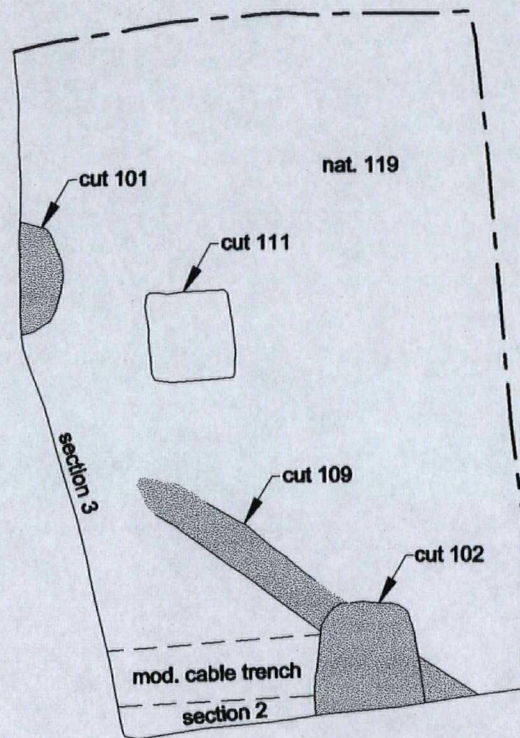
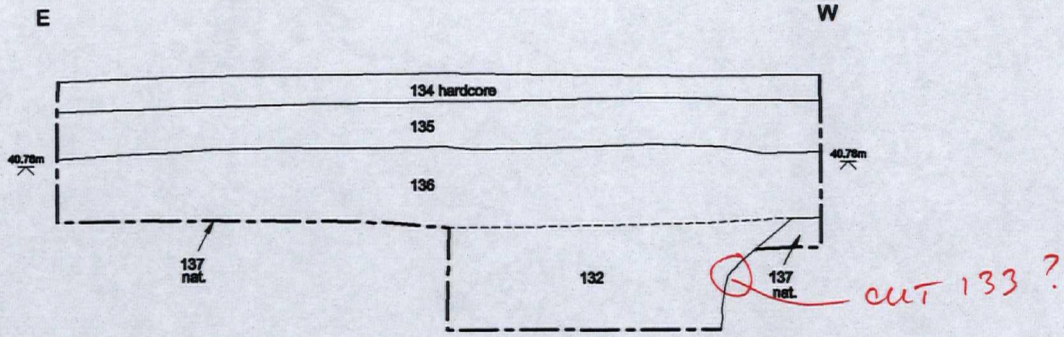
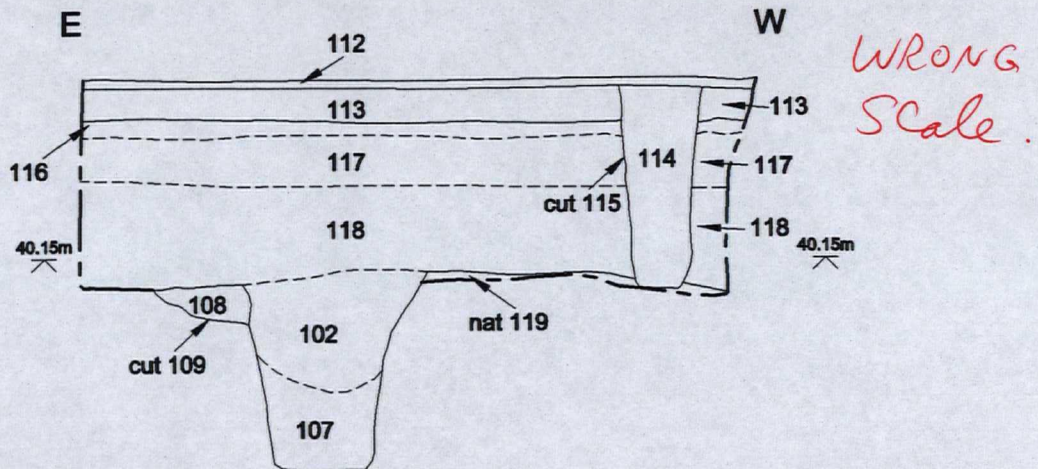


Figure 4
Trench 2
1:50

Section 1 - North Facing - Trench 1



Section 2 - North Facing - Trench 2



Section 3 - East Facing - Trench 2

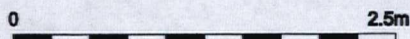
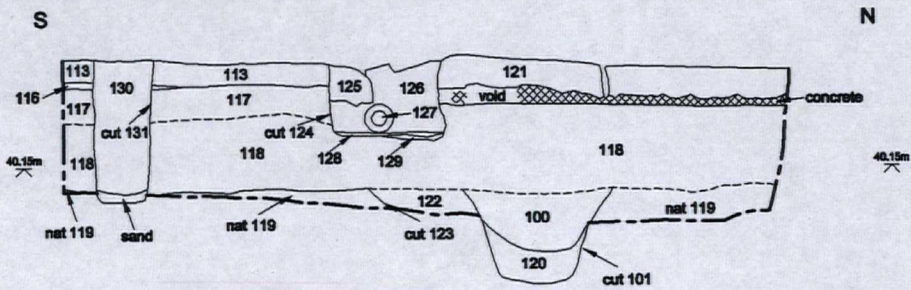


Figure 5
Sections 1, 2 & 3
1:50

Appendix A - Assessment of Pottery

By C.G. Cumberpatch, BA PhD
Archaeological Consultant

Introduction

The pottery assemblage from ERN 99 was examined by the author on 5th June 2000 with a view to providing spot dates and a brief description of the pottery.

The Pottery

Trench 1 Unstratified

The small group of pottery from Trench 1 included post-medieval and 18th century sherds, the former local sandy wares. A single sherd of later medieval German stoneware was notable as the only example of imported pottery.

Trench 2 Unstratified

The material from Trench 2 consists of a small group of medieval (13th to early 15th century) and early post-medieval sherds.

Context [100]

A small group of local medieval sandy wares dating to between the 12th and later 14th centuries. The one diagnostic sherd, a rod handle, appeared to be somewhat later, possibly later 15th to early 16th century.

Context [102]

A small group of medieval pottery, including early material (12th to 13th century) and a handle with spots of purple glaze, most probably of a later date (later 14th to 15th century).

Context [104]

One sherd of medieval pottery (12th to 13th century) and a sherd of unidentified material, possibly daub.

Context [107]

A group of two sherds. One of these is a fragment of a handle which joins with that from context [102] and appears to be of later 14th to 15th century date. The second sherd is currently unidentified, but may be European origin.

Context [132]

A mixed group of medieval pottery, including splash glazed Tees Valley ware (12th to early 13th century), local sandy wares (of 12th to early 14th century type) and a handle decorated with thumb impressed band of clay (13th to 14th century). The group also includes a skillet handle and a perforated sherd.

Context [136]

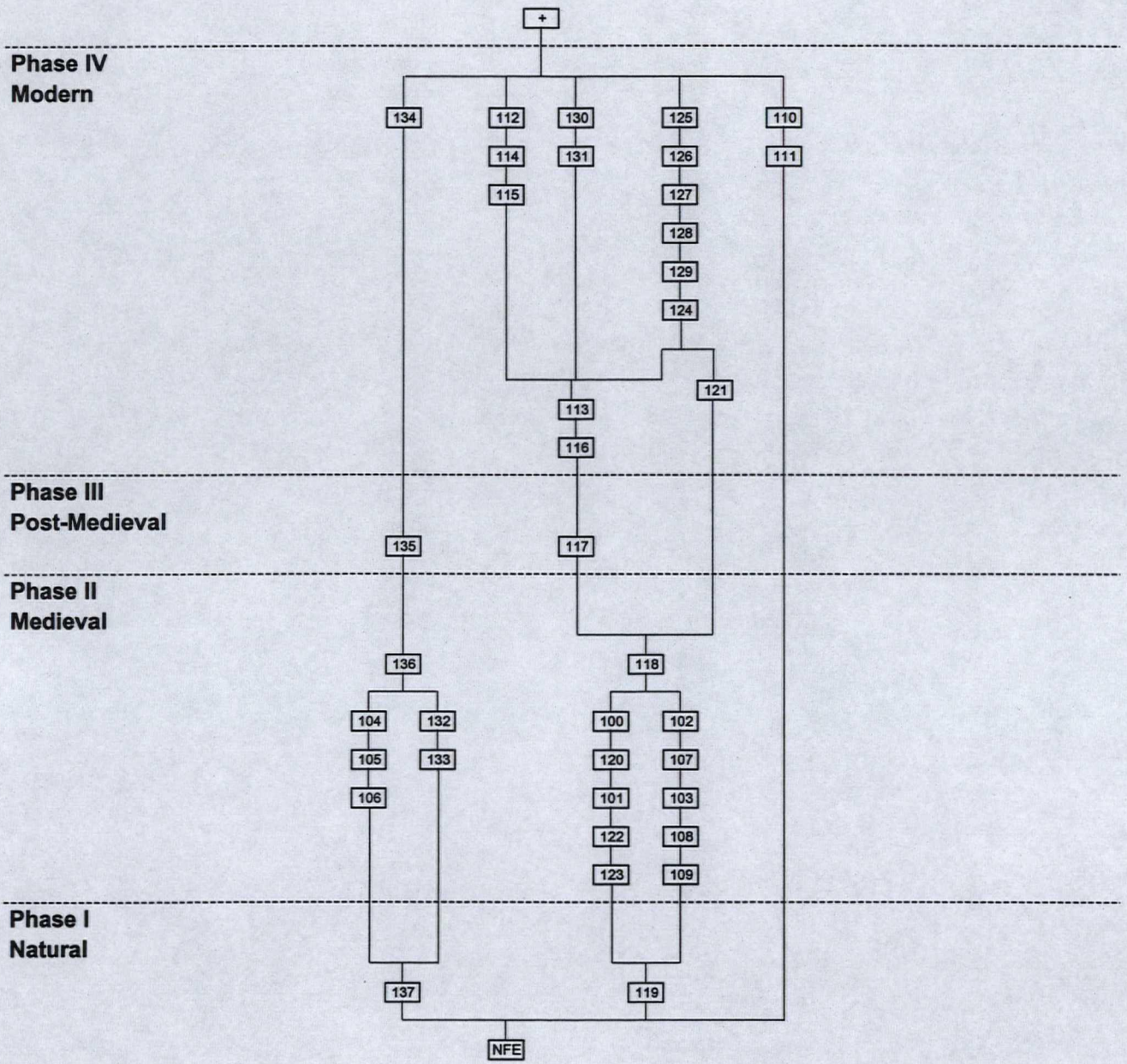
A mixed group of medieval pottery (predominantly local sandy wares of 13th to 14th century date) with a single sherd of later medieval or early post-medieval sandy ware. Unidentified material includes sherd of white ware and an unusual vessel base.

Discussion

The pottery assemblage from ERN 99 is of considerable interest as it appears to span the medieval period and very early post-medieval periods (broadly the 12th century to the later 15th and early 16th centuries). The majority of the material is of medieval date, with the limited numbers of post-medieval sherds lying within the medieval tradition (Cistercian and Yellow wares are notable by their absence). The absence of later, intrusive material suggests that the site has seen relatively little disturbance, in spite of the presence of 18th century sherds amongst the unstratified material.

Further work on the group could include the closer identification of the local sandy wares and a full description of the range of vessel types present. Some greater degree of chronological precision might be possible once this work has been undertaken.

Appendix B - Stratigraphic Matrix



Appendix C

Context Descriptions

CONTEXT [100]	fill, soft, mid to dark brownish grey, clayey silt (20%-80%), frequent angular, sub-angular and sub-rounded river cobbles up to 100mm in total diameter, occasional flecks of charcoal, 0.98m north-south, 0.29m east-west, 0.37m deep
INTERPRETATION	upper fill of pit [101]
CONTEXT [101]	cut, probably sub-circular, sharp break of slope at top, steep, almost vertical sides, slightly concave base, 0.98m north-south, 0.29m east-west, 0.64m deep,
INTERPRETATION	pit cut, recorded adjacent to west section of Trench 2 (Section 3); the purpose of the pit is uncertain, but it may be a refuse pit
CONTEXT [102]	fill, friable, mid brownish grey, clayey silt (30%-70%), frequent (25% of the fill) large sub-rounded and sub-angular river cobbles (circa 120 were removed from the excavated portion of the fill), up to 200mm wide, moderate to occasional angular, sub-angular, and sub-rounded pebbles, occasional fragments of sandstone, up to 100mm wide, occasional flecks and fragments (1 retained) of charcoal, 0.74m north-south, 0.75m east-west, 0.45m deep
INTERPRETATION	upper fill of pit [103], probably deposited to consolidate the pit fill
CONTEXT [103]	cut, sub-rectangular, orientated north-south, sharp break of slope at top, steep, almost vertical sides, sharp break of slope at bottom, flat base, 0.74m north-south, 0.75m east-west, 0.85m deep, partially truncated by modern cable trench
INTERPRETATION	probable refuse pit
CONTEXT [104]	fill, moderate to loosely compact, mid brownish grey, slightly clayey sandy silt (10%-20%-70%), occasional charcoal flecks, moderate pea grit at sides and base of fill, 0.36m north-south, 0.34m east-west, 0.2m deep
INTERPRETATION	secondary, central fill of posthole [106]
CONTEXT [105]	fill, moderately compact, mid orange brown, sandy clayey silt (20%-30%-50%), moderate pea grit, frequent medium to large (50-150mm) sub-angular and sub-rounded gravel and stone fragments, 0.66m north-south, 0.6m east-west, 0.27m deep
INTERPRETATION	primary, 'post-packing', fill of cut [106]
CONTEXT [106]	cut, circular, sharp break of slope at top, moderately sloping sides, rounding onto a rounded, even base, 0.66m north-south, 0.60m east-west, 0.27m deep
INTERPRETATION	posthole, filled with [104] and [105]
CONTEXT [107]	fill, soft, mid grey, silty clay (40%-60%), occasional flecks of charcoal, occasional fine and medium sub-rounded and sub-angular pebbles, 0.74m north-south, 0.75m east-west, up to 0.45m deep
INTERPRETATION	primary fill of pit [103]
CONTEXT [108]	fill, firm, light to mid greyish brown, clayey sandy silt (30%-30%-40%), moderate fine and medium and occasional large sub-rounded and sub-angular pebbles, occasional flecks of charcoal, 3.35m long, 0.35m wide, 0.2m deep
INTERPRETATION	fill of gully [109]
CONTEXT [109]	cut, linear, orientated NW-SE, steep sides, concave base, 3.35m long, 0.35m wide, 0.2m deep
INTERPRETATION	gully filled with [108], truncated by pit [103]
CONTEXT [110]	fill, mid greyish brown mottled with light-mid brownish red, clayey silt mottled with silty clay, frequent fragments of red brick, occasional fragments of concrete, occasional sub-angular and sub-rounded pebbles, 0.60m north-south, 0.60m east-west, depth unknown
INTERPRETATION	fill of modern foundation pit [111], unexcavated
CONTEXT [111]	cut, square, orientated north-south, 0.60m north-south, 0.60m east-west, depth unknown
INTERPRETATION	cut of modern foundation pit, filled with [110], unexcavated
CONTEXT [112]	heavily compacted and concreted black tarmac, up to 50mm thick
INTERPRETATION	uppermost layer in section 2, trench 2
CONTEXT [113]	compact black tar and gravel, obviously used to form a compact consolidation layer for tarmac [112], but laid before cable trench [115] was cut, up to 140mm thick
INTERPRETATION	make-up deposit for tarmac [112]
CONTEXT [114]	fill, firm, but rather mixed deposit of tar, gravel, and silty clay, 0.34m wide, 0.85m thick
INTERPRETATION	fill of cable trench [115]

CONTEXT [115] cut, linear, orientated north-south, sharp break of slope at top, vertical sides, sharp break of slope at bottom, flat base, 0.34m wide, 0.85m deep
INTERPRETATION cut for modern cable trench, filled with [114], only recorded in section

CONTEXT [116] compact, mixed demolition rubble of brick fragments, crushed and fragmented mortar, fine and medium sub-rounded and sub-angular pebbles, 80mm thick
INTERPRETATION make-up spread, probably used to consolidate and level ground before laying [112] and [113]

CONTEXT [117] layer, firm, dark brownish grey, clayey silt (20%-80%), moderate flecks and small fragments of off-white chalky mortar, moderate flecks and small fragments of charcoal, occasional fine and medium sub-rounded and sub-angular pebbles, occasional small fragments of coal, occasional fragments of sandstone (up to 50mm wide), up to 0.23m thick
INTERPRETATION post-medieval soil horizon

CONTEXT [118] layer, soft, mid to dark brownish grey, silty clay (40%-60%), occasional fine and medium sub-angular and sub-rounded pebbles, occasional sub-rounded river cobbles (up to 150mm in width), 0.5m thick
INTERPRETATION medieval soil horizon

CONTEXT [119] natural, very compact, mottled light to mid yellowish pinkish orange sandy clay, frequent fine and medium and occasional large angular, sub-angular and sub-rounded gravel pebbles; this deposit was interleaved with lenses of soft mid brownish pink clayey sand, which seemed to form a distinct natural layer within the north-east corner of trench 2, excavated to a depth of 0.80m
INTERPRETATION natural in trench 2

CONTEXT [120] fill, soft, light to mid greyish brown mottled with patches of mid brownish yellow, clayey silt (40%-60%), with patches of gritty sand, frequent pea grit, moderate to occasional fine and medium sub-angular and sub-rounded pebbles, occasional flecks of charcoal, 0.98m north-south, 0.29m east-west, 0.45m deep
INTERPRETATION primary fill of pit [101]

CONTEXT [121] concrete slab, very heavily compacted, light grey, up to 0.16m thick
INTERPRETATION uppermost layer in northern half of trench 2

CONTEXT [122] fill, soft, mid to dark greyish brown, clayey silt (50%-50%), occasional medium and large sub-rounded and rounded pebbles, occasional flecks of charcoal, occasional small fragments of yellow sandstone, 0.78m north-south, 0.16m deep
INTERPRETATION fill of gully [123], recorded only in section; this context is assumed to be the same archaeological event as [108], excavated in plan

CONTEXT [123] cut, only the south edge seen, steeply sloping and slightly concave side, concave base, truncated by pit [101], 0.78m north-south, 0.16m deep
INTERPRETATION gully, filled with [122], recorded only in section; this context is assumed to be the same archaeological event as [109], excavated in plan

CONTEXT [124] cut, orientated east-west, vertical sides, flat base, 0.75m north-south, 0.50m deep
INTERPRETATION construction trench for drain, filled with [125], [126], [127], [128], and [129], recorded in section only

CONTEXT [125] fill, compact, dark grey mixed with black, mixed clayey silt and tar-based material, frequent fine and medium sub-angular and sub-rounded pebbles, 0.27m north-south, 0.24m deep
INTERPRETATION uppermost fill of cut [124], recorded in section only

CONTEXT [126] fill, loose, mixed pea grit and fine to medium angular, sub-angular, and sub-rounded pebbles, the upper part of the fill contains large fragments of broken concrete, whole bricks, and occasional rounded river cobbles, 0.72m north-south, 0.47m deep
INTERPRETATION main fill of cut [124], recorded in section only

CONTEXT [127] ceramic salt glazed drainpipe, 0.20m diameter, 0.1m bore
INTERPRETATION modern drain in cut [124], recorded in section only

CONTEXT [128] fill, loose, mid brownish yellow, medium sand, 0.72m north-south, up to 0.20m deep
INTERPRETATION sand bedding fill for drainpipe [127], recorded in section only

CONTEXT [129] fill, firm, dark grey mixed with black, silty clay mixed with tar-based material, 0.48m north-south, 30mm deep
INTERPRETATION primary fill of cut [124], presumably used to level the base of the cut before laying the bedding layer [128], recorded in section only

CONTEXT [130] fill, firm, but rather mixed deposit of tar, gravel, and silty clay, 0.40m wide, 0.93m deep, fused electricity cable 0.10m from base of fill, overlying a layer of mid brownish yellow medium sand
INTERPRETATION fill of cable trench [131], recorded in section only

CONTEXT [131] cut, linear, orientated east-west, sharp break of slope at top, vertical sides, sharp break of slope at bottom, flat base, 0.4m wide, 0.93m deep

INTERPRETATION	cut for modern cable trench, filled with [130], recorded in section only
CONTEXT [132]	fill, soft to friable, mid to dark greyish brown, silty clay (40%-60%), occasional fine and medium sub-angular and sub-rounded pebbles, occasional flecks of charcoal, occasional thin 'columns' of pea grit, occasional small fragments of yellow and red sandstone, occasional degraded animal bone (in addition to the collected material – some bone was too badly decayed to recover), 1.76m north-south, 4.14m east-west, 0.70m deep as excavated
INTERPRETATION	backfill of feature [133], not fully excavated due to dangerous height of section
CONTEXT [133]	cut, circular, sharp break of slope at top, moderately sloping sides, becoming near-vertical over a moderate break of slope, base unknown, 1.76m north-south, 4.14m east-west, 0.70m deep as excavated
INTERPRETATION	construction cut for well chamber, not fully excavated due to dangerous height of section
CONTEXT [134]	very heavily compacted to concreted, mixed broken concrete, large angular flint fragments, occasional fragmented brick, fragmented sandstone, with a soil matrix of mid brown sandy silt making up 20% of the deposit, 0.16m thick
INTERPRETATION	hardcore makeup forming a 'road' surface at the top of section 1 in trench 1
CONTEXT [135]	friable, dark grey, clayey silt (10%-90%), moderate pea grit, moderate fine and medium sub-angular and sub-rounded pebbles, occasional flecks and small fragments of chalky mortar, occasional pottery (not collected), occasional pipe clay (not collected), occasional flecks and small fragments of charcoal and coal, 0.35m thick
INTERPRETATION	extensive soil horizon/accumulation, probably incorporating a substantial amount of burnt material, of post-medieval origin
CONTEXT [136]	soft, mid to dark greyish brown, sandy clayey silt (10%-30%-60%), occasional fine and medium and very occasional large sub-rounded and sub-angular pebbles, occasional flecks of charcoal, occasional small fragments of coal, occasional small fragments and flecks of chalk, 0.55m thick
INTERPRETATION	extensive and substantial soil horizon, overlying both cut features in this trench; <u>probably of medieval origin</u> ???
CONTEXT [137]	firm, mid to dark brownish red, clayey silt (30%-70%), moderate pea grit, moderate fine and medium sub-angular, angular, and sub-rounded pebbles, mottled with patches of dark brownish grey silt due to root and worm activity, depth unknown
INTERPRETATION	natural in trench 1