

RESEARCH REPORT SERIES no. 16-2013

# FIELDS SOUTH OF SILBURY HILL, WILTSHIRE EVALUATION OF THE ROMANO-BRITISH SETTLEMENT: SITE STRATIGRAPHY

ARCHAEOLOGICAL REPORT

Vicky Crosby



INTERVENTION  
AND ANALYSIS



ENGLISH HERITAGE

*This report has been prepared for use on the internet and the images within it have been down-sampled to optimise downloading and printing speeds.*

*Please note that as a result of this down-sampling the images are not of the highest quality and some of the fine detail may be lost. Any person wishing to obtain a high resolution copy of this report should refer to the ordering information on the following page.*

Research Report Series 16-2013

**FIELDS SOUTH OF SILBURY HILL,  
WILTSHIRE**

**EVALUATION OF THE ROMANO-BRITISH SETTLEMENT  
SITE STRATIGRAPHY**

Vicky Crosby

NGR: SU101682

© English Heritage

ISSN 2046-9799 (Print)

ISSN 2046-9802 (Online)

*The Research Report Series incorporates reports by the expert teams within the Investigation & Analysis Division of the Heritage Protection Department of English Heritage, alongside contributions from other parts of the organisation. It replaces the former Centre for Archaeology Reports Series, the Archaeological Investigation Report Series, the Architectural Investigation Report Series, and the Research Department Report Series.*

*Many of the Research Reports are of an interim nature and serve to make available the results of specialist investigations in advance of full publication. They are not usually subject to external refereeing, and their conclusions may sometimes have to be modified in the light of information not available at the time of the investigation. Where no final project report is available, readers must consult the author before citing these reports in any publication. Opinions expressed in Research Reports are those of the author(s) and are not necessarily those of English Heritage.*

*Requests for further hard copies, after the initial print run, can be made by emailing:  
Res.reports@english-heritage.org.uk*

*or by writing to:*

*English Heritage, Fort Cumberland, Fort Cumberland Road, Eastney, Portsmouth PO4 9LD*

*Please note that a charge will be made to cover printing and postage.*

## **SUMMARY**

Extensive geophysical surveys of the area around Silbury Hill were carried out in 2005-8 as part of the major project to conserve the Hill. Although the presence of a Roman settlement by the Hill had been known since the 19<sup>th</sup> century AD, the extent of the evidence in the field to its south was unexpected. The Later Silbury project was set up to evaluate the new results. In the late summer of 2010 seven evaluation trenches were excavated in the two fields south of the Hill. Part of an extensive Romano-British settlement consisting of large enclosures flanking a trackway was examined, as well as post-medieval water meadow features. Optically stimulated luminescence dates were obtained for a palaeochannel and alluvial deposits close to the Winterbourne.

This report presents the site matrices and interpretive context index, to support the published report in the *Wiltshire Archaeological and Natural History Magazine* for 2013

## **CONTRIBUTORS**

Vicky Crosby

The cover illustration, looking south towards Trench 6 and the River Kennet, is by Judith Dobie.

## **ACKNOWLEDGEMENTS**

The author wishes to thank Mr David Hues (landowner), for allowing access to this site, and also Nicola Hembrey (Project Manager) and the site team: Claire Bond (Finds supervisor), Buzz Busby, Liz Chambers (Environmental supervisor), Michael Cumow, Des O'Donoghue, Claire Driver, Tara Gullbrand, Tom Jamieson, Matt Jones, Ben Moore, Cat Rees (Site supervisor), Jenny Ryder and Jess Tibber (Site supervisor), and volunteers Emma Bullimore and James O'Brien.

## **ARCHIVE LOCATION**

The archive is currently at Fort Cumberland, Portsmouth. It will be deposited at the Alexander Keiller Museum, Avebury, Wiltshire. The digital archive will be deposited with the Archaeology Data Service, except for digital photographs which will be deposited with the English Heritage Archive.

## **DATE OF FIELDWORK AND REPORT**

The fieldwork took place between 9 August and 24 September 2010.  
This report was completed on 06 February 2013.

## **CONTACT DETAILS**

English Heritage, Fort Cumberland, Fort Cumberland Road, Eastney,  
Portsmouth PO4 9LD

Vicky Crosby      Tel: 023 92 856720      Email: [vicky.crosby@english-heritage.org.uk](mailto:vicky.crosby@english-heritage.org.uk)

# CONTENTS

Introduction .....	1
References .....	3
Appendices .....	4

## INTRODUCTION

Extensive geophysical surveys of the area around Silbury Hill were carried out in 2005-8 as part of the major project to conserve the Hill (Linford *et al.* 2010; Leary *et al.* forthcoming). Although the presence of a Roman settlement by the Hill had been known since the 19<sup>th</sup> century AD, the extent of the evidence in the field to its south was unexpected. The Later Silbury project was set up to evaluate the new results and to shed light on a poorly understood period of activity around Silbury Hill, increasing our knowledge of the Romano-British settlement and its relationship to the Hill.

In the late summer of 2010 seven evaluation trenches were excavated in the two fields south of the Hill. Part of an extensive Romano-British settlement consisting of large enclosures flanking a trackway was examined, as well as post-medieval water meadow features. Optically stimulated luminescence dates were obtained for a palaeochannel and alluvial deposits close to the Winterbourne.

The RB settlement on the slope spans the period from the early/mid 2<sup>nd</sup> century AD to the later 4<sup>th</sup> or beyond. There are slight indications of later first century activity, but no evidence for pre- or post-Roman activity in this area. The ditched enclosures and trackways set out in the 2<sup>nd</sup> century AD seem to have established the pattern of land use throughout the period.

The magnetic surveys identified three large subdivided rectangular enclosures facing onto a north-south trackway. One of these, and a smaller ditched enclosure to its west, was investigated. On its east and south sides, it faced onto trackways, and its ditched boundary was probably accompanied by a fence represented by a narrower ditch or a line of post holes. On the west side (furthest from the main trackway) only a single ditch was found. The internal features investigated were a rectangular timber building represented by a wall trench and possible post pad setting, a well (only partly excavated) and the burial of an infant. No yard, trackway or floor surfaces survived. Disuse of the building and well dates to the late 4<sup>th</sup> century AD.

On the lower ground, a series of optically stimulated luminescence dates identified an early Mesolithic palaeochannel infill and two periods of alluviation, the first between AD 750-870 with a second rapid phase towards the end of the 13<sup>th</sup> century AD. The banks and leats of a catchwater (contour-based) water meadow system probably date to the 18<sup>th</sup> century AD.

The 2010 archaeological evaluation is now published in the *Wiltshire Studies: The Wiltshire Archaeological and Natural History Magazine* (Crosby and Hembrey 2013a), and the interim results from the project also formed part of the discussion of Romano-British activity at Silbury Hill (Crosby *et al.* forthcoming) in the Silbury Hill Conservation Project monograph.

To support the publications, the Later Silbury Assessment reports (Crosby and Hembrey 2013b) and a series of specialist analysis reports are being made available as English Heritage Research Reports. Some of the reports also include re-examination of previous work, including the pottery (Timby) and coins (Moorhead) from the Silbury Hill external ditch. Other reports will cover the plant remains (Pelling), animal bones (Baker) and optically stimulated luminescence dating (Roberts). Hembrey has reviewed the RB small finds from Silbury Hill and its immediate surroundings as part of the Silbury Conservation project (in Crosby *et al* forthcoming; Hembrey and Mould forthcoming).

This report contains the site matrices and interpretive context index to support the published report (Crosby and Hembrey 2013a). These have been updated since the Assessment report (Crosby and Hembrey 2013b), particularly in light of the optically stimulated luminescence dating (Roberts forthcoming; Campbell *et al* 2013).

## REFERENCES

Campbell, G, Roberts, H M, Davies, P, Crosby, V and Canti, M 2013 'Alluviation in the valley bottom', in Crosby, V and Hembrey, N 2013 'An evaluation in the fields south of Silbury Hill in 2010: Romano-British settlement, later alluviation and water meadows, 151-2.. *Wiltshire Archaeological and Natural History Magazine* **106**, 101-166.

Crosby, V and Hembrey, N 2013a 'An evaluation in the fields south of Silbury Hill in 2010: Romano-British settlement, later alluviation and water meadows. *Wiltshire Archaeological and Natural History Magazine* **106**, 101-166

Crosby, V and Hembrey, N 2013b *Fields south of Silbury Hill, Wiltshire. Evaluation of the Romano-British settlement: Assessment report*. Research Department Report Series No **101-2011**. English Heritage.

Crosby, V, Field, D, Hembrey, N, Leary, J., Baker, P and Campbell, G forthcoming, 'In the Shadow of the Hill: Silbury Hill in the Roman and the medieval period', in J Leary, D Field and G Campbell (eds), *Silbury Hill. The largest prehistoric mound in Europe*. Swindon: English Heritage.

Leary, J, Field, D and Campbell, G (eds) forthcoming *Silbury Hill. The Archaeology and Later Use of the Largest Prehistoric Mound in Europe*. English Heritage

Linford, N , Linford P, Martin L and Payne, A 2010 *Silbury Hill Wiltshire: Report on Geophysical Surveys 2005-2008*. Research Department Report Series No **105-2009**. Portsmouth: English Heritage.

Hembrey, N and Mould, Q forthcoming *Silbury Hill, Wiltshire (Project 661) Artefacts from the 2007/8 excavations*. Research Report Series No **46-2012** Portsmouth: English Heritage

Roberts, HM, forthcoming *Water Meadows, Silbury, Wiltshire: Optical Stimulated Luminescence Dating*. Research Report Series No **42-2012**. Portsmouth: English Heritage.



## APPENDICES

Location of Trenches

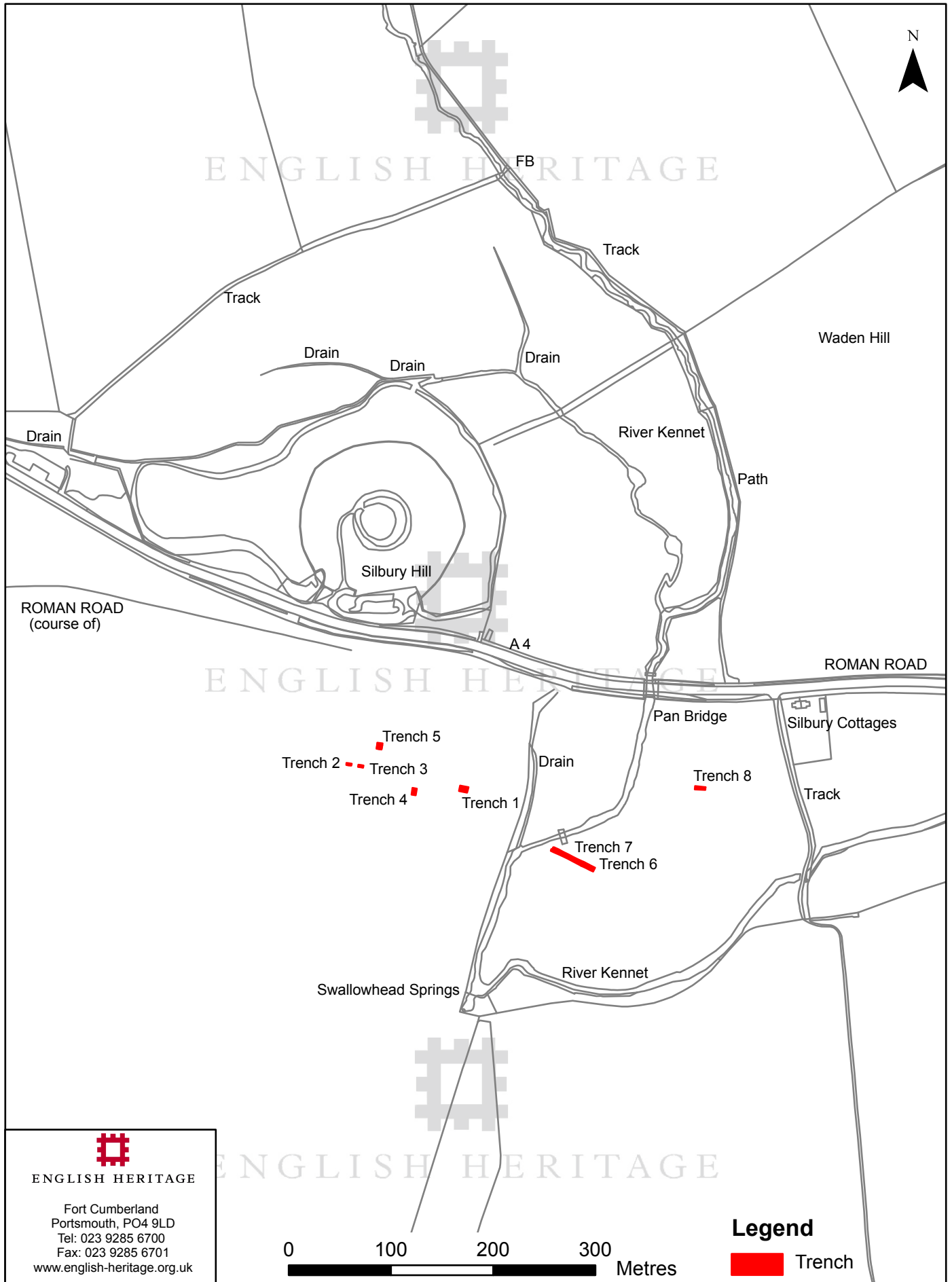
Matrix: Trenches 1 to 5

Matrix: Trenches 6 and 8

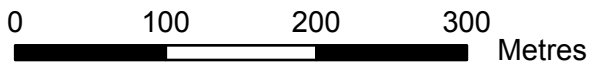
Matrix: Trench 7

Interpretative Context Index

# Later Silbury Evaluation - Location of Trenches



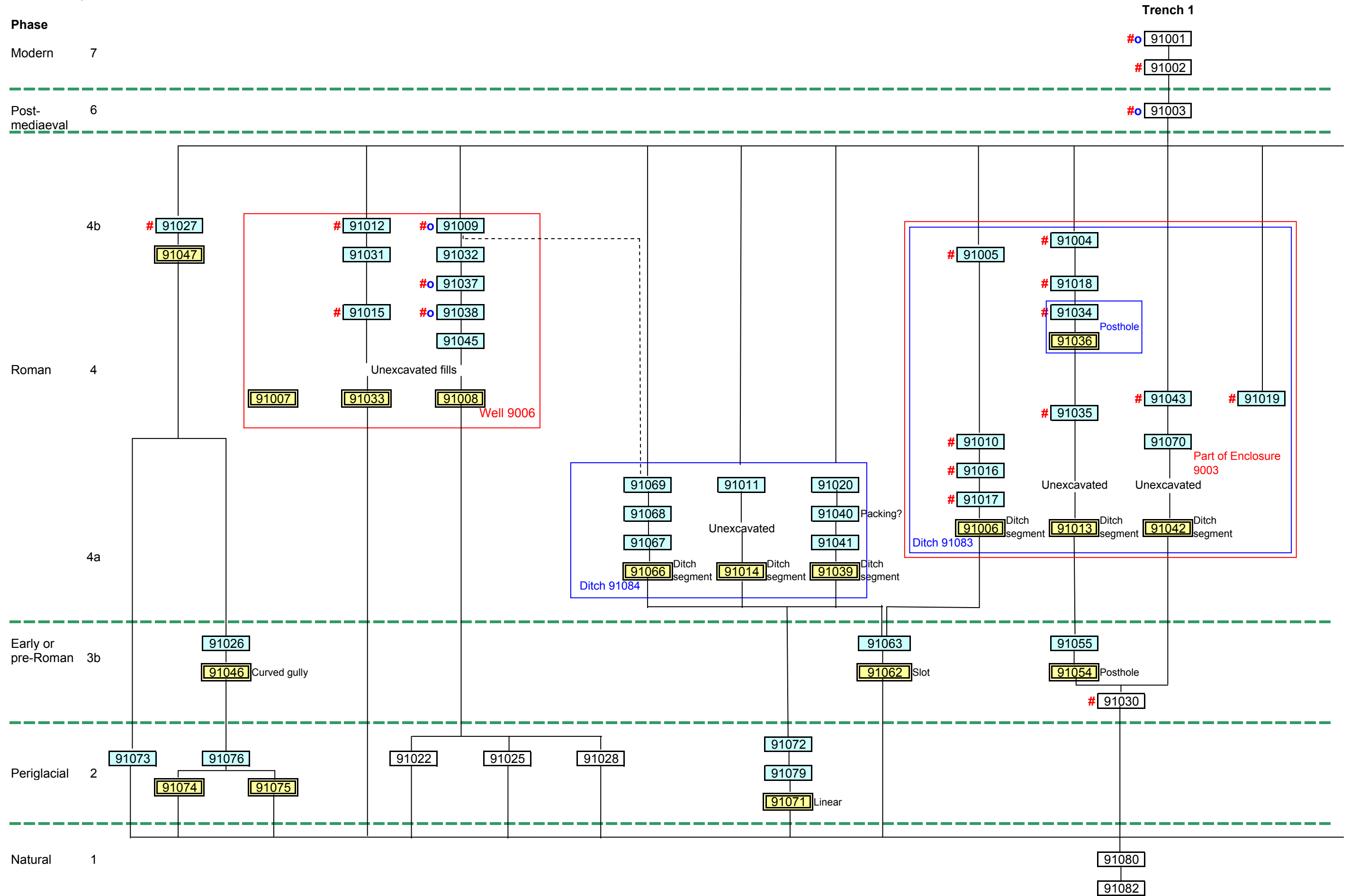
  
**ENGLISH HERITAGE**  
 Fort Cumberland  
 Portsmouth, PO4 9LD  
 Tel: 023 9285 6700  
 Fax: 023 9285 6701  
[www.english-heritage.org.uk](http://www.english-heritage.org.uk)

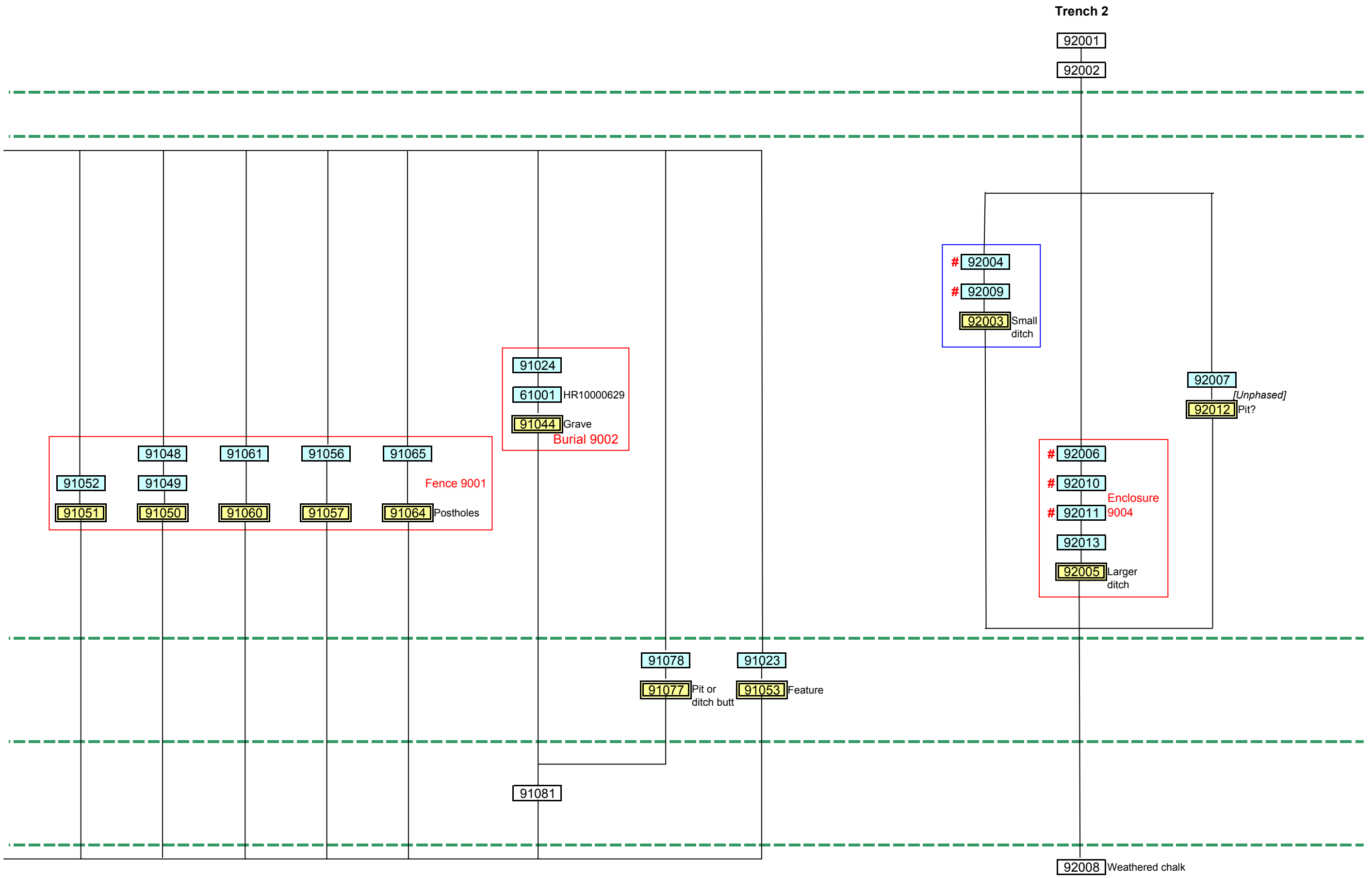


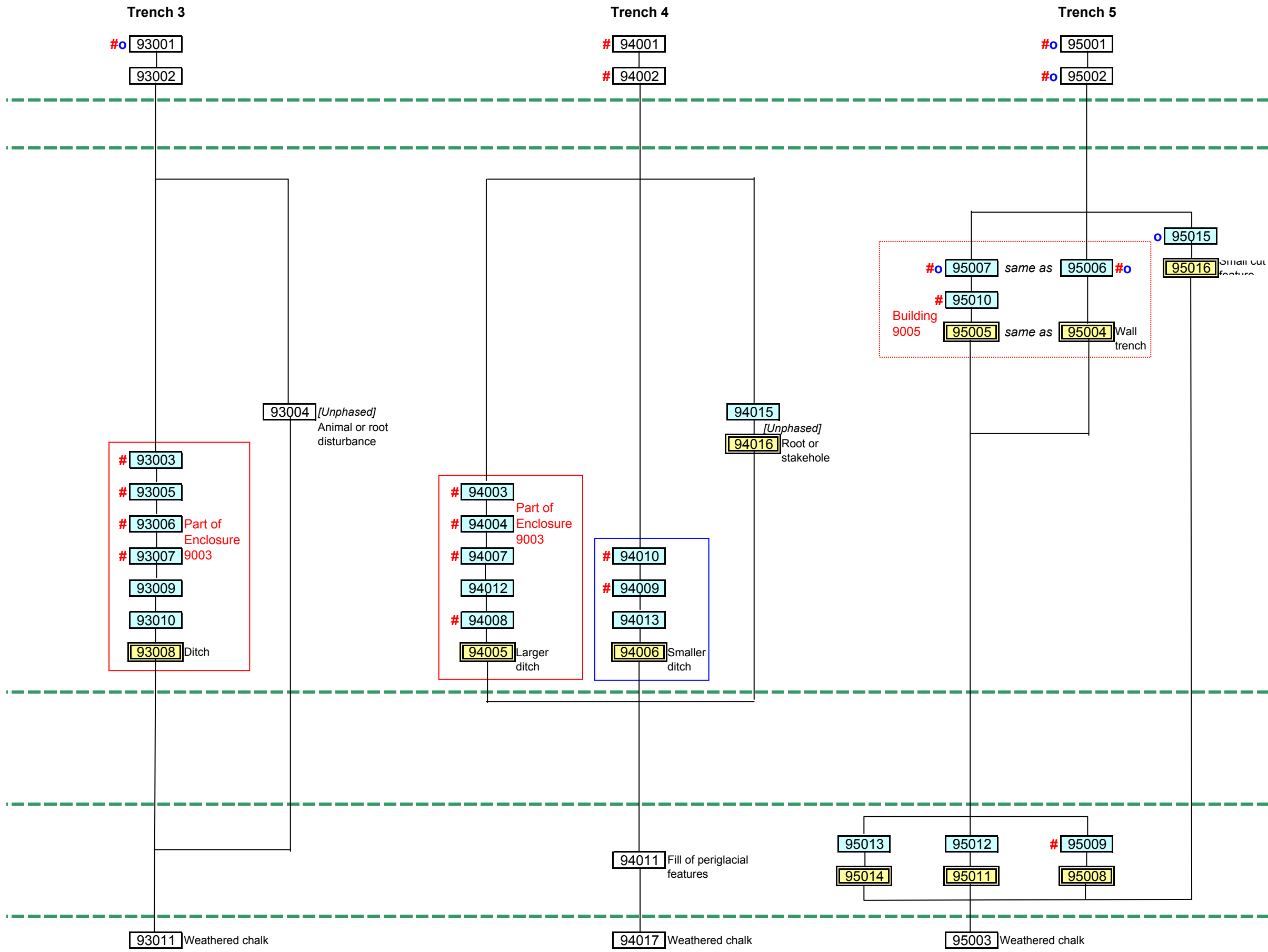
**Legend**  
 Trench

Ordnance Survey Mapping: ©Crown Copyright and database right 2013. All rights reserved. Ordnance Survey Licence number 100019088.  
 Historic OS Maps: © and database right Crown Copyright and Landmark Information Group Ltd (All rights reserved)  
 Licence numbers 000394 and TP0024.

Pr 5980 Later Silbury 2010 - Site Matrix (Final)  
The arable field, Trenches 1 to 5



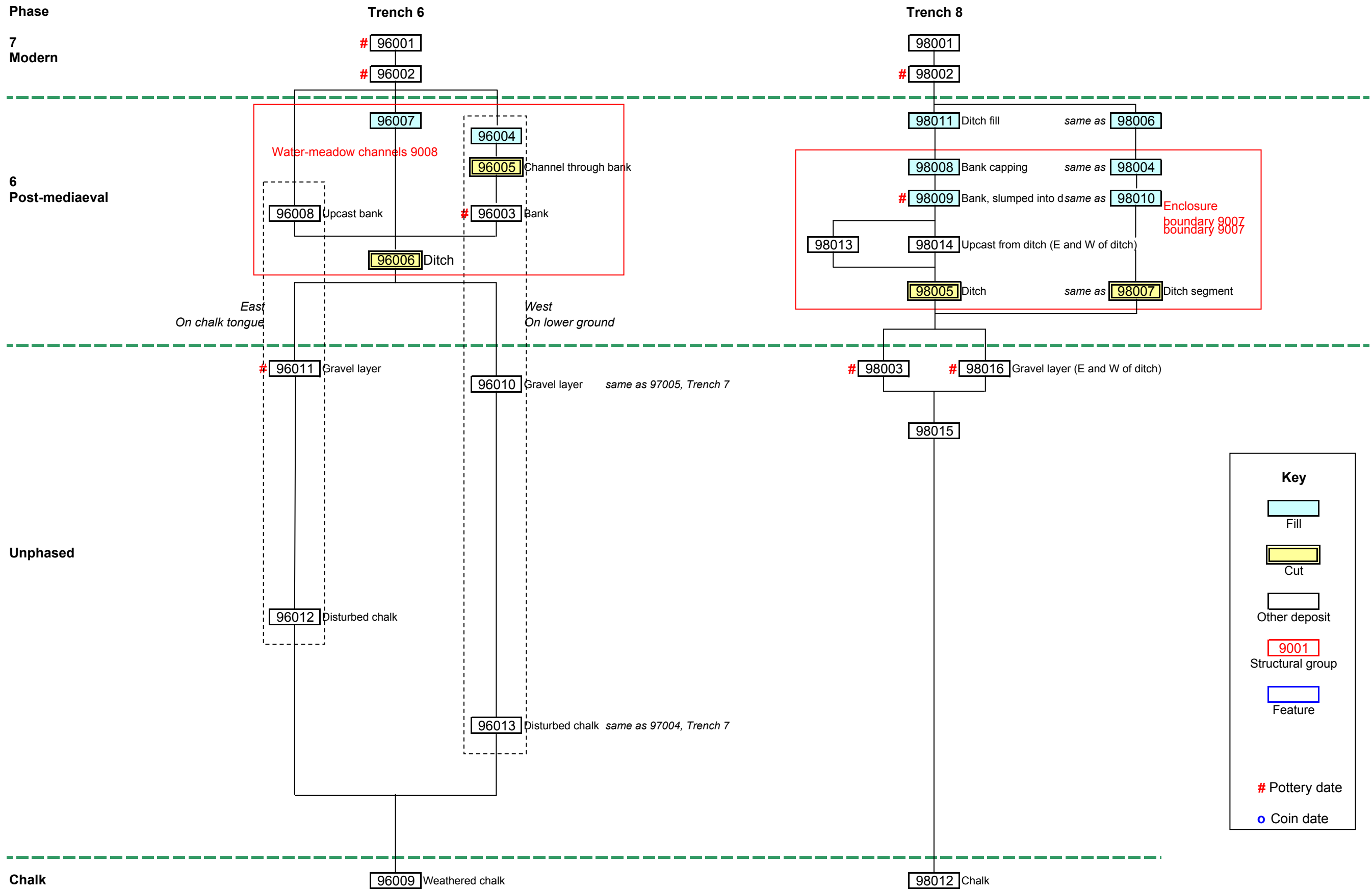




**Key**

- Fill
- Cut
- Other deposit
- 9001 Structural group
- Feature
- # Pottery date
- o Coin date

Pr 5980 Later Silbury 2010 - Site Matrix (Final)  
The water-meadow, Trenches 6 and 8



Pr 5980 Later Silbury 2010 - Site Matrix (Final)  
Trench 7

Phase

7  
Modern

5 or 6  
Medieval or  
post-medieval

5b  
Medieval  
Three OSL dates of 720+/-40a, 760+/-40a and 720+/-30a before 2011  
AD 1250-1330, 1210-1290 and 1260-1330 at 1σ rounded to the nearest 10 years

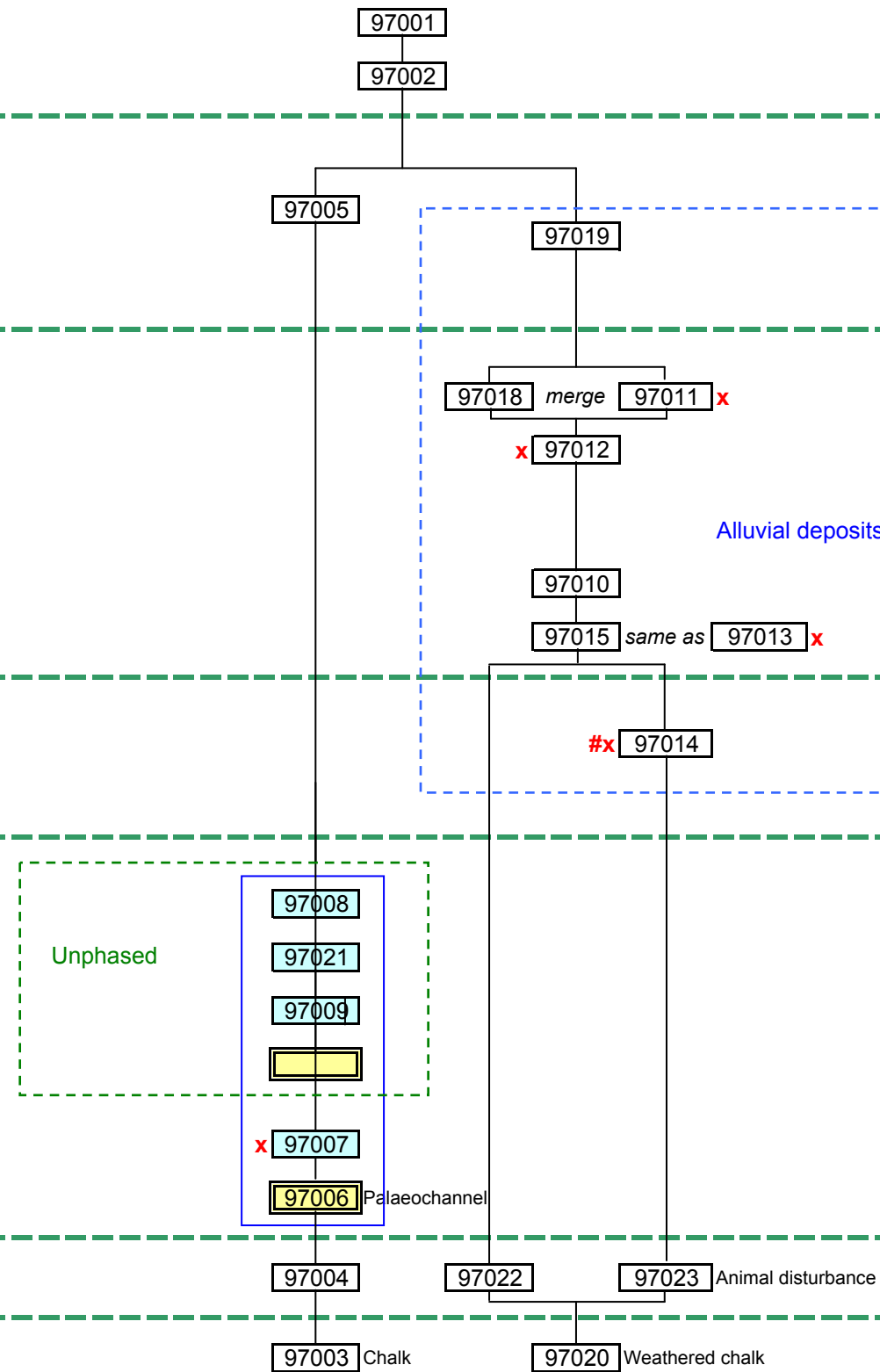
5a  
Middle Saxon  
OSL date of 1200+/-60a before 2011  
AD 750-870 at 1σ rounded to the nearest 10 years

3a  
Mesolithic  
OSL date of 9770 +/- 580a before 2011  
8340-7190 BC at 1σ rounded to the nearest 10 years

Unphased

Chalk

Trench 7



**Key**

- Fill
- Cut
- Other deposit
- Structural group
- Feature
- x OSL date
- #x Pottery date
- o Coin date

## Pr5980 Later Silbury Evaluation 2010: Interpretive Context Index (Final)

Context Number	Type	SSD	Description	Contamination	Spot Date	Phase	Plans	Sections
61001	Deposit	Trench 1	Deposit number assigned to an infant inhumation (Human remains record 10000629). Group 9002.	Unrecorded		4 - Romano-British	1106, 1114	
91001	Deposit	Trench 1	Topsoil in Trench 1. Unstratified finds and finds from metal detecting spoil from this trench were all also assigned to this context.	Probable	Post-med ( <i>tpq</i> AD1600)	7 - Modern	1101, 1103, 1104, 1105, 1106, 1108, 1111, 1112	21005, 21008, 21012, 21013, 11002
91002	Deposit	Trench 1	Subsoil - a slightly lighter layer below the ploughsoil and overlying archaeological deposits.	Probable		7 - Modern		21005, 21008, 21012, 21013, 11002
91003	Deposit	Trench 1	Layer with chalk, flints and frequent finds overlying the features in Trench 1. Colluvial after plough disturbance.	Probable	C4	6 - Post medieval		21005, 21008, 21012, 21013, 11002
91004	Deposit	Trench 1	Top fill of excavated segment 91013 of enclosure ditch 91083. Contexts 91004, 91005, 91019 and 91043 are divisions of the same finds-rich upper fill of the ditch..	Unlikely	C4	4b - Later Roman-British	1103, 1112	
91005	Deposit	Trench 1	Top fill of excavated segment 91006 of enclosure ditch 91083. Contexts 91004, 91005, 91019 and 91043 are divisions of the same finds-rich upper fill of the ditch..	Unlikely	??C3	4 - Romano-British		11002
91006	Cut	Trench 1	One of three excavated segments of enclosure ditch 91083.			4a - Early Romano-British	1101, 1102, 1112	11002
91007	Cut	Trench 1	An overall number given to a large circular pit, interpreted as a well (Group 9006). Two opposite quadrants (91008 and 91033 were excavated). Its upper fill included a dump of large stones, some burnt (91031 and 91032).			4 - Romano-British	1101, 1102, 1104, 1108, 1112	
91008	Cut	Trench 1	South-west quadrant of well 9006, partly excavated. 91009 was its upper fill with small stones amongst and over the large stones (91032), and 91037 was a softer silty fill below 91009. 91038 was a gravelly fill along the side of the cut and stratigraphically earlier than 91037. The quadrant was excavated to a depth of about 1m, and probing indicated that the soft fill continued downwards for at least a similar depth.			4 - Romano-British	1112, 1101, 1102, 1111	21003
91009	Deposit	Trench 1	Upper fill of SW quadrant of well 9006. Dark grey with small stones, amongst and over the large stones (91032) in the well fill. Same as 91012 in the NE quadrant.	Possible	C4	4b - Later Roman-British	1101, 1102	21003
91010	Deposit	Trench 1	A fill of excavated segment 91006 of enclosure ditch 91083.	Unlikely	C2+	4a - Early Romano-British		11002
91011	Deposit	Trench 1	Fill of segment 91014 of ditch 91084.	Possible		4a - Early Romano-British	1112	21005
91012	Deposit	Trench 1	Upper fill of NE quadrant of well 9006. Dark grey with small stones, amongst and over the large stones (91032) in the well fill. Same as 91009 in the SW quadrant.	Unlikely	C4	4b - Later Roman-British	1101, 1102, 1104, 1108, 1112	21016
91013	Cut	Trench 1	One of three excavated segments of enclosure ditch 91083.			4a - Early Romano-British	1103, 1112	21005
91014	Cut	Trench 1	One of the three excavated segments of ditch 91084.			4a - Early Romano-British	1112	21005
91015	Deposit	Trench 1	A fill of NE quadrant 91033 of well 9006, below stone deposit 91031.	Unlikely	C4	4b - Later Roman-British	1101, 1102, 1112	21016
91016	Deposit	Trench 1	A fill of excavated segment 91006 of enclosure ditch 91083.	Unlikely	C2+	4a - Early Romano-British		11002
91017	Deposit	Trench 1	A fill of excavated segment 91006 of enclosure ditch 91083.	Unlikely	C2	4a - Early Romano-British		11002
91018	Deposit	Trench 1	A fill of excavated segment 91013 of enclosure ditch 91083	Probable	later C2-C3	4b - Later Roman-British		21005
91019	Deposit	Trench 1	Upper fill of enclosure ditch 91083, outside of the excavated segments, excavated for finds retrieval. Contexts 91004, 91005, 91019 and 91043 are divisions of the same finds-rich upper fill of the ditch.	Unlikely	C2	4a - Early Romano-British	1112	
91020	Deposit	Trench 1	Fill of segment 91039 of ditch 91084.	Possible		4a - Early Romano-British	1112, 1105	11002
91021	VOID	Trench 1	Duplicate number for 91078.				1101	
91022	Deposit	Trench 1	One of several patches of brownish clay, containing flints, overlying the chalk in parts of the trench, and interpreted as natural. See 19081.	Unlikely		1 - Geological features	1101	
91023	Deposit	Trench 1	Fill of irregular and uneven cut feature 91053, which was possibly natural in origin - animal activity? No finds.	Unlikely		3 - Early or pre-Roman	1111, 1101, 1112	21004



## Pr5980 Later Silbury Evaluation 2010: Interpretive Context Index (Final)

Context Number	Type	SSD	Description	Contamination	Spot Date	Phase	Plans	Sections
91024	Deposit	Trench 1	Fill of grave for the inhumation burial of an infant (Human remains record 10000629). Group 9002.	Possible		4 - Romano-British	1101, 1106, 1114	
91025	Deposit	Trench 1	One of several patches of brownish clay, containing flints, overlying the chalk in parts of the trench, and interpreted as natural. See 19081.	Unlikely		1 - Geological features	1101	
91026	Deposit	Trench 1	Fill of irregular curving gully 91046.	Possible		3 - Early or pre-Roman	1101, 1104, 1108, 1112	21008, 21009, 21010, 21013
91027	Deposit	Trench 1	Fill of irregular feature 91047. It is very similar to the final well fill (91009), and is probably part of the same spread of material.	Probable	late C3-C4	4b - Later Roman-British	1101, 1104, 1108	21010, 21013
91028	Deposit	Trench 1	One of several patches of brownish clay, containing flints, overlying the chalk in parts of the trench, and interpreted as natural. See 19081.	Unlikely		1 - Geological features	1101	
91029	VOID	Trench 1	Slight soil variation within 91081.				1101	
91030	Deposit	Trench 1	One of several patches of brownish clay, containing flints, overlying the chalk in parts of Trench 1. This patch appears to have been disturbed in the early RB period.	Unlikely	C2	3 - Early or pre-Roman	1103, 1112	21005
91031	Deposit	Trench 1	Deposit of large stones, some burnt, in NE quadrant 91033 of well 9006. Same as 91032 in the SW quadrant.	Unlikely		4b - Later Roman-British	1101, 1102, 1112	21016
91032	Deposit	Trench 1	Deposit of large stones, some burnt, in the SW quadrant 91008 of well 9006. Same as 91031 in the NE quadrant.	Unlikely		4b - Later Roman-British	1112, 1101, 1102	21003
91033	Cut	Trench 1	NE quadrant of well 91007 (Group 9006). Partly excavated.			4 - Romano-British	1101, 1104, 1108, 1112	
91034	Deposit	Trench 1	Fill of 91036, a post-hole with signs of in-situ burning, within the fills of segment 91013 of enclosure ditch 91083.	Unlikely	C2+	4b - Later Roman-British	1103	21001
91035	Deposit	Trench 1	Fill of excavated segment 91013 of enclosure ditch 91083. Cut by posthole 91036.	Unlikely	mid C3+	4a - Early Romano-British	1103, 1112	21001, 21005
91036	Cut	Trench 1	Post-hole with signs of in-situ burning, within the fills of segment 91013 of enclosure ditch 91083.			4b - Later Roman-British	1103	21001
91037	Deposit	Trench 1	Fill of SW quadrant 91008 of well 9006. A softer silty fill below 91009 and stone deposit 91032.	Possible	late C4+	4b - Later Roman-British		21003
91038	Deposit	Trench 1	Fill of NW quadrant 91008 of well 9006. A gravelly fill along the side of the cut, stratigraphically earlier than 91037. Possibly slumping?	Possible	late C4	4b - Later Roman-British	1112	21003
91039	Cut	Trench 1	One of the three excavated segments of ditch 91084.			4a - Early Romano-British	1112, 1105	11002
91040	Deposit	Trench 1	A redeposited chalk fill in segment 91039 of ditch 91084. Possibly packing for a fence or structure - slight indications of possible stakeholes were noted.	Unlikely		4a - Early Romano-British	1105	11002
91041	Deposit	Trench 1	Fill of segment 91039 of ditch 91084.	Unlikely		4a - Early Romano-British	1105	11002
91042	Cut	Trench 1	One of three excavated segments of enclosure ditch 91083.			4a - Early Romano-British	1112	
91043	Deposit	Trench 1	Upper fill of segment 91042 of enclosure ditch 91083. Contexts 91004, 91005, 91019 and 91043 are divisions of the same finds-rich upper fill of the ditch.	Unlikely	e-m C2	4a - Early Romano-British		
91044	Cut	Trench 1	Shallow sub-rectangular grave cut for the inhumation burial of an infant (61001, Human remains record 10000629). Group 9002.			4 - Romano-British	1106, 1112, 1114	21014, 21015
91045	Deposit	Trench 1	Lowest excavated fill of SW quadrant 91008 of well 9006. A light grey/brown silt loam. The quadrant was excavated to a depth of about 1m, and probing indicated that the soft fill continued downwards for at least a similar depth.	Unlikely		4b - Later Roman-British		21003
91046	Cut	Trench 1	An irregular curving gully with an uneven base, 0.8m wide and 0.16m deep. It extended beyond the limits of excavation. It could be an arc of an early or pre-Roman circular feature, but is not really convincing as part of a structure.			3 - Early or pre-Roman	1108, 1112	21008, 21009, 21013
91047	Cut	Trench 1	An irregular feature. The cut was not clear, but it may have been cut by the well. Its fill 91027 is very similar to the final well fill (91009), and is probably part of the same spread of material.			4b - Later Roman-British	1112	21013
91048	Deposit	Trench 1	Upper fill of posthole 91050 (part of post-hole line/fence 9001).	Unlikely		4 - Romano-British	1112	21006
91049	Deposit	Trench 1	Packing of posthole 91050 (part of post-hole line/fence 9001).	Unlikely		4 - Romano-British	1112	21006
91050	Cut	Trench 1	One of five post holes (group 9001) forming a line between ditches 91083 and 91084. The ditches and posthole line 9001 are probably contemporary.			4 - Romano-British	1112	21006

## Pr5980 Later Silbury Evaluation 2010: Interpretive Context Index (Final)

Context Number	Type	SSD	Description	Contamination	Spot Date	Phase	Plans	Sections
91051	Cut	Trench 1	One of five post holes (group 9001) forming a line between ditches 91083 and 91084. The ditches and posthole line 9001 are probably contemporary.			4 - Romano-British	1112	21006
91052	Deposit	Trench 1	Lower fill and packing of truncated posthole 91051 (part of post-hole line/fence 9001).	Unlikely		4 - Romano-British	1112	21006
91053	Cut	Trench 1	An irregular and uneven cut feature, 0.6m wide, 0.36m deep and at least 1.1m long. Possibly natural in origin - animal activity? No finds from its fill 91023.			3 - Early or pre-Roman	1111, 1112	21004
91054	Cut	Trench 1	Small posthole predating fills of ditch 91083 and possibly truncated by the ditch. It lies just inside the eastern edge of the ditch.			3 - Early or pre-Roman	1112	21005
91055	Deposit	Trench 1	Fill of small posthole 91054.	Unlikely		3 - Early or pre-Roman	1112	21005
91056	Deposit	Trench 1	Fill of posthole 91057 (part of post-hole line/fence 9001).	Unlikely		4 - Romano-British	1112	21007
91057	Cut	Trench 1	One of five post holes (group 9001) forming a line between ditches 91083 and 91084. The ditches and posthole line 9001 are probably contemporary.			4 - Romano-British	1112	21007
91058	VOID	Trench 1	Same as 91015.					
91059	VOID	Trench 1	Duplicate number for 91033.					
91060	Cut	Trench 1	One of five post holes (group 9001) forming a line between ditches 91083 and 91084. The ditches and posthole line 9001 are probably contemporary. Unexcavated.			4 - Romano-British	1112	21007
91061	Deposit	Trench 1	Fill of unexcavated posthole 91060 (part of post-hole line/fence 9001).	Unlikely		4 - Romano-British	1112	21007
91062	Cut	Trench 1	Linear feature 0.1m wide seen only in the gap between ditches 91083 and 91084, which cut it. Possibly natural in origin, e.g. an animal burrow. Unexcavated.			3 - Early or pre-Roman	1112	21007
91063	Deposit	Trench 1	Unexcavated fill of a linear feature 91063. This was 0.1m wide, seen only in the gap between ditches 91083 and 91084, which cut it, and was possibly natural in origin, e.g. an	Unlikely		3 - Early or pre-Roman	1112	
91064	Cut	Trench 1	One of five post holes (group 9001) forming a line between ditches 91083 and 91084. The ditches and posthole line 9001 are probably contemporary. Unexcavated.			4 - Romano-British	1112	
91065	Deposit	Trench 1	Upper fill of unexcavated posthole 91044 (part of post-hole line/fence 9001).	Unlikely		4 - Romano-British	1112	
91066	Cut	Trench 1	One of the three excavated segments of ditch 91084.			4a - Early Romano-British	1112	
91067	Deposit	Trench 1	Fill of segment 91066 of ditch 91084.	Unlikely		4a - Early Romano-British		
91068	Deposit	Trench 1	Fill of segment 91066 of ditch 91084.	Unlikely		4a - Early Romano-British		
91069	Deposit	Trench 1	Fill of segment 91066 of ditch 91084.	Unlikely		4a - Early Romano-British	1112	
91070	Deposit	Trench 1	A fill of segment 91042 of enclosure ditch 91083.	Unlikely		4a - Early Romano-British		
91071	Cut	Trench 1	An irregular linear feature, of which only a small segment was excavated. Possibly natural.			1 - Geological features	1112	21011
91072	Deposit	Trench 1	Upper fill of irregular linear feature 91071, of which only a small segment was excavated. Possibly natural.	Unlikely		1 - Geological features	1101, 1112	21011
91073	Deposit	Trench 1	Part of a layer of brownish clay, containing flints, overlying the chalk in parts of the trench, and interpreted as natural (see 19081). Originally described as a fill of an irregular undulation in the chalk subsoil (no cut was defined). The number then seems to have been extended to apply to a wider deposit in the NW part of Trench 1.	Unlikely		1 - Geological features		21010, 21013
91074	Cut	Trench 1	91074 and 91075 were irregular cuts filled by 91076, a sandy loam. They are probably natural in origin.			1 - Geological features	1104, 1112	21008
91075	Cut	Trench 1	91074 and 91075 were irregular cuts filled by 91076, a sandy loam. They are probably natural in origin.			1 - Geological features	1104, 1112	21009
91076	Deposit	Trench 1	91074 and 91075 were irregular cuts filled by 91076, a sandy loam. They are probably natural in origin.	Unlikely		1 - Geological features		21008, 21009
91077	Cut	Trench 1	This cut is probably either a pit or the butt end of a ditch (it extends beyond the excavated area). It is 0.37m deep, and about 1.3m across. Possibly pre-Roman - no finds noted in its fill 91078, but sample materials (from 51024) included bone, burnt bone and burnt flint.			3 - Early or pre-Roman	1112	21012

## Pr5980 Later Silbury Evaluation 2010: Interpretive Context Index (Final)

Context Number	Type	SSD	Description	Contamination	Spot Date	Phase	Plans	Sections
91078	Deposit	Trench 1	Fill of 91077, probably either a pit or the butt end of a ditch. Possibly pre-Roman - no finds noted during excavation, but sample materials (from 51024) included bone, burnt bone and burnt flint.	Possible		3 - Early or pre-Roman		21012
91079	Deposit	Trench 1	Lower fill of irregular linear feature 91071, of which only a small segment was excavated. Possibly natural.	Unlikely		1 - Geological features		21011
91080	Deposit	Trench 1	Weathered chalk natural.	Unlikely		1 - Geological features	1101, 1104, 1105, 1106, 1108, 1111, 1112	21004, 21003, 11002, 21006, 21007, 21008, 21009, 21010, 21012,
91081	Deposit	Trench 1	A layer of brown clay, containing flints, overlying the chalk in parts of the trench, and interpreted as natural. This number was also used to link an number of patches of similar material initially given separate context numbers (91022, 91025, 91028, 91030).	Possible		1 - Geological features	1101, 1106, 1111, 1112	21003, 11002, 21012, 21014, 21015
91082	Deposit	Trench 1	Solid chalk natural, below weathered chalk 91080, and seen only where deep features cut into it.	Unlikely		1 - Geological features	1101, 1105, 1108, 1112	21003, 11002, 21010, 21012, 21013, 21016, 21011
91083	Cut	Trench 1	A V-profiled ditch defining Enclosure 9003 in Trench 1. This ditch, the smaller parallel ditch 91084 and posthole line 9001 are probably a contemporary boundary to the enclosure. It has three excavated segments (91006, 91013 and 91042).			4a - Early Romano-British	1101, 1103, 1112	
91084	Cut	Trench 1	A smaller V-profiled ditch parallel to 91083. Both ditches and posthole line 9001 between them are probably a contemporary boundary to the enclosure. It has three excavated segments (91014, 91039, 91066).			4a - Early Romano-British	1101, 1102, 1105, 1112	
92001	Deposit	Trench 2	Ploughsoil in Trench 2	Probable		7 - Modern		22001, 22002
92002	Deposit	Trench 2	Subsoil layer below ploughsoil and above weathered chalk in Trench 2	Unlikely		7 - Modern		22001, 22002
92003	Cut	Trench 2	Shallow flat-bottomed ditch lying 0.9m upslope from the larger V-profile ditch 92005.			4b - Later Roman-British	1201	22001
92004	Deposit	Trench 2	Upper fill of ditch 92003.	Unlikely	mid C3+	4b - Later Roman-British	1201	22001
92005	Cut	Trench 2	V-profile ditch defining an enclosure.			4a - Early Romano-British	1201	22001, 22003
92006	Deposit	Trench 2	Upper fill of ditch 92005 - possibly late infill due to ploughing.	Unlikely	C2	4a - Early Romano-British	1201	22001, 22003
92007	Deposit	Trench 2	Fill of partly excavated small feature 92012.	Unlikely		Unphased		22001, 22002
92008	Deposit	Trench 2	Subsoil in Trench 2. Weathered chalk with light brown clay filled striations believed to be of periglacial origin.	Unrecorded		1 - Geological features	1201	
92009	Deposit	Trench 2	Lower fill of ditch 92003.	Unlikely	Roman	4b - Later Roman-British		22001
92010	Deposit	Trench 2	One of four fills of ditch 92005.	Unlikely	C2	4a - Early Romano-British		22001, 22003
92011	Deposit	Trench 2	One of four fills of ditch 92005.	Unlikely	Roman	4a - Early Romano-British		22001, 22003
92012	Cut	Trench 2	Partly excavated feature extending beyond the limits of excavation. Possibly a small pit, posthole or butt end of a gully.			Unphased	1201	22001, 22002
92013	Deposit	Trench 2	Lowest of the four fills of ditch 92005.	Unlikely		4a - Early Romano-British		22001
93001	Deposit	Trench 3	Ploughsoil in Trench 3.	Probable	C2/C3	7 - Modern		23001
93002	Deposit	Trench 3	Layer below ploughsoil and above weathered chalk in Trench 3	Probable		7 - Modern		23001
93003	Deposit	Trench 3	Top fill of ditch 93008	Possible	C2	4a - Early Romano-British	1301	23001
93004	Deposit	Trench 3	A shallow and uneven deposit, probably root or animal disturbance.	Probable		Unphased	1301	23001
93005	Deposit	Trench 3	Chalk rich fill of ditch 93008, possibly indicative of levelling or agricultural activity slighting the ditch.	Possible	C2	4a - Early Romano-British	1301	23001
93006	Deposit	Trench 3	Fill of ditch 93008. Finds include a large number of hobnails.	Possible	C2	4a - Early Romano-British		23001

## Pr5980 Later Silbury Evaluation 2010: Interpretive Context Index (Final)

Context Number	Type	SSD	Description	Contamination	Spot Date	Phase	Plans	Sections
93007	Deposit	Trench 3	Fill of ditch 93008	Possible	C2	4a - Early Romano-British		23001
93008	Cut	Trench 3	A V-profile ditch 2.3m wide and 1.14m deep interpreted as the western boundary of a large enclosure. It had six fills.			4a - Early Romano-British	1301	23001
93009	Deposit	Trench 3	Fill of ditch 93008. Silt loam fill, above the primary chalk fill, with no finds.	Possible		4a - Early Romano-British		23001
93010	Deposit	Trench 3	The lowest fill of ditch 93008, consisting mostly of chalk and with no finds.	Possible		4a - Early Romano-British		23001
93011	Deposit	Trench 3	Subsoil in Trench 3. Weathered chalk with light brown clay filled striations believed to be of periglacial origin.	Unrecorded		1 - Geological features	1301	
94001	Deposit	Trench 4	Ploughsoil in Trench 4	Unlikely	mid C3-C4	7 - Modern		24001
94002	Deposit	Trench 4	Layer below ploughsoil and above weathered chalk in Trench 4	Unlikely	mid C3+	7 - Modern		24001
94003	Deposit	Trench 4	Upper fill of ditch 94005, present only in the western part of the length of ditch seen in Trench 4. This layer contained more finds than the underlying fills of the ditch.	Probable	C2	4a - Early Romano-British		24001
94004	Deposit	Trench 4	Fill of ditch 94005.	Probable	C2	4a - Early Romano-British		24001
94005	Cut	Trench 4	Ditch defining the southern side of large enclosure 9003. However, its profile differs from the other ditches (91006, 93008) defining the enclosure. It has six fills (from the base, 94008, 94012, 94007, 94004 and 94003).			4a - Early Romano-British	1401	24001
94006	Cut	Trench 4	A smaller ditch, 0.9m wide and with an asymmetric V-profile, lying immediately north of ditch 94005 and only 0.2 m from it. It possibly formed part of the same boundary as 94005, but careful longitudinal sectioning did not find any evidence for fence posts or similar features. It had three fills (94013, 94009 and 94010).			4a - Early Romano-British	1401	24001
94007	Deposit	Trench 4	Fill of ditch 94005.	Probable	C2	4a - Early Romano-British		24001
94008	Deposit	Trench 4	Primary fill of ditch 94005, confined to the base and southern side of the ditch.	Unlikely	C2	4a - Early Romano-British		24001
94009	Deposit	Trench 4	Fill of ditch 94006.	Unlikely	C2	4a - Early Romano-British		24001
94010	Deposit	Trench 4	Upper fill of ditch 94006.	Probable	Roman	4a - Early Romano-British		24001
94011	Deposit	Trench 4	Fill of a series of roughly parallel linear features interpreted as periglacial in origin. A section was machine cut through these features at the western end of Trench 4, and two specialist samples were taken. Similar features were seen in Trenches 1-3.	Unlikely		1 - Geological features	1401	24001
94012	Deposit	Trench 4	Fill of ditch 94005, confined to the north side of the ditch.	Unlikely		4a - Early Romano-British		24001
94013	Deposit	Trench 4	Lowest fill of ditch 94006 (slumping along base and sides)	Probable		4a - Early Romano-British		24001
94014	VOID	Trench 4	Same as 94013.					
94015	Deposit	Trench 4	Fill of small irregular feature 94016, probably a root hole or similar.	Unlikely		Unphased		24002
94016	Cut	Trench 4	Small irregular feature, probably a root hole or similar.			Unphased	1401	24002
94017	Deposit	Trench 4	Weathered chalk subsoil.	Unlikely		1 - Geological features		
95001	Deposit	Trench 5	Ploughsoil in Trench 5	Possible	mid C3-C4	7 - Modern		25001
95002	Deposit	Trench 5	Layer below ploughsoil and above weathered chalk in Trench 5	Probable	C2+	7 - Modern		25001
95003	Deposit	Trench 5	Weathered chalk natural	Unlikely		1 - Geological features	1501	
95004	Cut	Trench 5	Foundation trench for west side of a rectangular timber building (structural group 9005).			4b - Later Roman-British	1501	25001, 25004
95005	Cut	Trench 5	Foundation trench for south side of a rectangular timber building (structural group 9005).			4b - Later Roman-British	1501	25003
95006	Deposit	Trench 5	Fill of the foundation trench for a rectangular timber building (structural group 9005).	Unlikely	C4	4b - Later Roman-British	1501	25001, 25004

## Pr5980 Later Silbury Evaluation 2010: Interpretive Context Index (Final)

Context Number	Type	SSD	Description	Contamination	Spot Date	Phase	Plans	Sections
95007	Deposit	Trench 5	Fill of the foundation trench for a rectangular timber building (structural group 9005).	Possible	late C4	4b - Later Roman-British	1501	25003
95008	Cut	Trench 5	Light brown linear feature in the weathered chalk subsoil, believed to be a natural periglacial striation.			1 - Geological features	1501	25004
95009	Deposit	Trench 5	Light brown fill of linear features in the weathered chalk subsoil, believed to be a natural periglacial striation.	Unlikely	C2+	1 - Geological features	1501	25004
95010	Deposit	Trench 5	Lower chalk-rich fill in part of the foundation trench for a rectangular timber building (structural group 9005).Possibly remains of some chalk packing?	Unlikely	Roman	4b - Later Roman-British		25001
95011	Cut	Trench 5	Light brown linear feature in the weathered chalk subsoil, believed to be a natural periglacial striation.			1 - Geological features	1501	25001
95012	Deposit	Trench 5	Light brown fill of linear features in the weathered chalk subsoil, believed to be a natural periglacial striation.	Unlikely		1 - Geological features		25001
95013	Deposit	Trench 5	Light brown fill of linear features in the weathered chalk subsoil, believed to be a natural periglacial striation.	Unlikely		1 - Geological features	1501	25003
95014	Cut	Trench 5	Light brown linear feature in the weathered chalk subsoil, believed to be a natural periglacial striation.			1 - Geological features	1501	25003
95015	Deposit	Trench 5	Fill of a shallow irregular oval feature 95016. It contained two coins.	Probable		4b - Later Roman-British	1501	25005
95016	Cut	Trench 5	Shallow irregular oval feature (0.4 by 0.6m and 0.14m deep) possibly natural. However, it lay within building 9005, and it is possible it was an internal feature or a truncated post-hole or post-pad cut. Two coins were recovered from its fill 95015.			4b - Later Roman-British	1501	25005
96001	Deposit	Trench 6	Topsoil in Trench 6 (pasture).	Possible	Med ( <i>tpq</i> AD1500)	7 - Modern		26002
96002	Deposit	Trench 6	Layer below topsoil in Trench 6 (pasture).	Possible	Post med/Late med ( <i>tpq</i> AD1600)	7 - Modern		26002
96003	Deposit	Trench 6	One of two upcast gravel banks (96003 and 96008) either side of the main water-meadow leet 96006.	Unlikely	Post med ( <i>tpq</i> AD1600)	6 - Post medieval	1601	26001, 26002
96004	Deposit	Trench 6	Fill of small leet 96005 cutting across the north-west bank 96008 of the main water-meadow leet 96006	Unlikely		6 - Post medieval	1601	26001
96005	Cut	Trench 6	Small leet cutting across the north-west bank 96008 of the main water-meadow leet 96006			6 - Post medieval	1601	26001
96006	Cut	Trench 6	Ditch - the main leet of the contour-based water-meadow system (Structural Group 9008). 3.45m wide and 0.46m deep.			6 - Post medieval	1601	26001, 26002
96007	Deposit	Trench 6	Fill of water-meadow leet 96006.	Possible		6 - Post medieval	1601	26001, 26002
96008	Deposit	Trench 6	One of two upcast gravel banks (96003 and 96008) either side of the main water-meadow leet 96006.	Possible		6 - Post medieval	1601	26001, 26002
96009	Deposit	Trench 6	Weathered chalk natural in Trench 6.	Unlikely		1 - Geological features	1601, 1602	
96010	Deposit	Trench 6	Gravel layer in Trench 6, west of the leet 96006. Unlike similar layer 96011 (east of the leet, on the higher ground) no finds are recorded for 96010.	Possible		6 - Post medieval	1601	26001, 26002
96011	Deposit	Trench 6	Gravel layer in Trench 6, east of the leet 96006 and so on the higher ground. This layer produced bulk finds (unlike similar layer 96011 east of the leet).	Possible	Post med ( <i>tpq</i> AD1600)	6 - Post medieval	1601	26001, 26002
96012	Deposit	Trench 6	Disturbed chalk layer under the gravel layer in the eastern part of Trench 6, on the higher ground.	Unlikely		1 - Geological features	1602	26001, 26002
96013	Deposit	Trench 6	Disturbed chalk layer under the gravel layer in the western part of Trench 6.	Unlikely		1 - Geological features		26001, 26002
97001	Deposit	Trench 7	Topsoil in Trench 7 (pasture).	Probable		7 - Modern		27001, 27002
97002	Deposit	Trench 7	Layer below topsoil in Trench 7 (pasture).	Possible		7 - Modern		27001, 27002
97003	Deposit	Trench 7	Weathered chalk natural in Trench 7, the same as 96009 in Trench 6. This layer merged into a softer stained chalk layer 97020 towards the river.	Unlikely		1 - Geological features		27001
97004	Deposit	Trench 7	A mixed chalk layer, the same as 96013 in Trench 6.	Unlikely		1 - Geological features		27001
97005	Deposit	Trench 7	Gravel layer, same as 96010 in Trench 6.	Unlikely		6 - Post medieval		27001

## Pr5980 Later Silbury Evaluation 2010: Interpretive Context Index (Final)

Context Number	Type	SSD	Description	Contamination	Spot Date	Phase	Plans	Sections
97006	Cut	Trench 7	A palaeochannel about 8m wide and 0.7m deep. It had one main lower fill 97007. Two further fills (97009, 97021) were probably in later cuts or disturbance. It had an overlying layer or top fill 97008.			2 - Mesolithic		27001
97007	Deposit	Trench 7	Main (lowest) fill of palaeochannel 97006.	Unlikely		2 - Mesolithic		27001
97008	Deposit	Trench 7	Layer overlying palaeochannel 97006, forming its upper fill..	Unlikely		Unphased		27001
97009	Deposit	Trench 7	Fill within palaeochannel 97006, probably in a later cut or disturbance.	Unlikely		Unphased		27001
97010	Deposit	Trench 7	Gravel layer with frequent chalk pieces, present in the south-east end of Trench 7 but petering out and not present in the north-west part of the trench.	Unlikely		5 - Post-Roman/medieval		
97011	Deposit	Trench 7	Alluvial deposit with numerous thin bands of chalk fragments in the north-west end of Trench 7, merging with 97018 (a similar layer without the chalk bands) further from the river.	Unlikely		5 - Post-Roman/medieval		27002
97012	Deposit	Trench 7	Alluvial deposit in north-west end of Trench 7, with fewer chalk fragments.	Unlikely		5 - Post-Roman/medieval		27002
97013	Deposit	Trench 7	Flint gravel layer in north-west part of Trench 7. Same as 97015.	Unlikely		5 - Post-Roman/medieval		27002
97014	Deposit	Trench 7	Alluvial clay deposit in the north-west end of Trench 7.	Unlikely	Roman	5 - Post-Roman/medieval		27002
97015	Deposit	Trench 7	Flint gravel layer in north-west part of Trench 7. Same as 97013.	Unlikely		5 - Post-Roman/medieval		
97016	VOID	Trench 7	Part of 97010.					
97017	Deposit	Trench 7	A 'soft patch' between two gravel layers may represent a shallow palaeochannel or pool, or just be variation in the chalk gravel deposit 97020.	Unrecorded		1 - Geological features		
97018	Deposit	Trench 7	Alluvial deposit, merging with 97011 (a similar layer with numerous thin bands of chalk fragments) nearer to the river.,	Unlikely		5 - Post-Roman/medieval		
97019	Deposit	Trench 7	Alluvial clay deposit in the north-west end of Trench 7.	Unlikely		6 - Post medieval		27002
97020	Deposit	Trench 7	A loose and stained chalk layer in the north-west end of Trench 7, towards the river. This layer merged into 97003, the firmer weathered chalk layer in the south-east end of the trench.	Unlikely		1 - Geological features		
97021	Deposit	Trench 7	Fill within palaeochannel 97006, probably in a later cut or disturbance.	Unlikely		Unphased		27001
97022	Deposit	Trench 7	Animal burrow, cut into soft chalk layer at the bottom of Trench 7.	Unrecorded		Unphased		
97023	Deposit	Trench 7	Animal burrow, cut into soft chalk layer at the bottom of Trench 7.	Unrecorded		Unphased		
98001	Deposit	Trench 8	Topsoil in Trench 8 (watermeadow pasture).	Unlikely		7 - Modern		28002
98002	Deposit	Trench 8	Layer between topsoil and gravel layer in Trench 8.	Unlikely	Post med ( <i>tpq</i> AD1500)	7 - Modern		28002
98003	Deposit	Trench 8	Gravel layer, with finds of abraded pot and animal bone. West of ditch 98005/98007, this layer was numbered 98016.	Unlikely	C1/C2	6 - Post medieval	1801	28002
98004	Deposit	Trench 8	With layer 98010, this deposit forms the bank (structural group 9007) recognised in the field survey. It is a pebbly light coloured loamy sand capping the bank. Same as 98008.	Possible		6 - Post medieval	1801	28001
98005	Cut	Trench 8	Cut of ditch defining enclosure (structural group 9007). Same as 98007.			6 - Post medieval	1801	28002
98006	Deposit	Trench 8	Silty upper fill of ditch 98007, defining enclosure 9007. Overlies the slumped bank (contexts 98004 and 98006). Same as 98011.	Possible		6 - Post medieval	1801	28001
98007	Cut	Trench 8	Cut of ditch defining enclosure (structural group 9007). Same as 98005.			6 - Post medieval	1801	28001
98008	Deposit	Trench 8	With layer 98009, this deposit forms the bank (structural group 9007) recognised in the field survey. It is a pebbly light coloured loamy sand capping the bank. Same as 98004.	Possible		6 - Post medieval	1801	28002
98009	Deposit	Trench 8	With layer 98008 this deposit forms the bank (structural group 9007) recognised in the field survey. It is the light coloured silty clay at the base of the bank. Same as 98010.	Probable	C2	6 - Post medieval		28002
98010	Deposit	Trench 8	With layer 98004 this deposit forms the bank (structural group 9007) recognised in the field survey. It is the light coloured silty clay at the base of the bank. Same as 98009.	Possible		6 - Post medieval		28001
98011	Deposit	Trench 8	Silty upper fill of ditch 98005, defining enclosure 9007. Overlies the slumped bank (contexts 98008 and 98009). Same as 98006.	Probable		6 - Post medieval	1801	28002
98012	Deposit	Trench 8	Chalk subsoil, underlying the gravel layers, probably a spur of chalk continuing from Waden	Unlikely		1 - Geological features	1801	
98013	Deposit	Trench 8	A shallow upcast gravel bank on the east of ditch 98005 (= 98007).	Possible		6 - Post medieval	1801	28002
98014	Deposit	Trench 8	A shallow upcast gravel bank on the west of ditch 98005 (= 98007).	Possible			1801	28002

Pr5980 Later Silbury Evaluation 2010: Interpretive Context Index (Final)

Context Number	Type	SSD	Description	Contamination	Spot Date	Phase	Plans	Sections
98015	Deposit	Trench 8	A mixed and disturbed chalk and gravel layer between the chalk natural 98012 and the gravel soil 98003/98016.	Probable		Unphased		28002
98016	Deposit	Trench 8	Gravel layer, west of ditch 98005/98007 and outside the enclosure. The only finds were small and recovered from the sample.	Possible	C2	6 - Post medieval	1801	28002
98999	Deposit		Finds collected from field surface.	Unrecorded	C4 AD to post-med			



## ENGLISH HERITAGE RESEARCH AND THE HISTORIC ENVIRONMENT

English Heritage undertakes and commissions research into the historic environment, and the issues that affect its condition and survival, in order to provide the understanding necessary for informed policy and decision making, for the protection and sustainable management of the resource, and to promote the widest access, appreciation and enjoyment of our heritage. Much of this work is conceived and implemented in the context of the National Heritage Protection Plan. For more information on the NHPP please go to <http://www.english-heritage.org.uk/professional/protection/national-heritage-protection-plan/>.

The Heritage Protection Department provides English Heritage with this capacity in the fields of building history, archaeology, archaeological science, imaging and visualisation, landscape history, and remote sensing. It brings together four teams with complementary investigative, analytical and technical skills to provide integrated applied research expertise across the range of the historic environment. These are:

- \* Intervention and Analysis (including Archaeology Projects, Archives, Environmental Studies, Archaeological Conservation and Technology, and Scientific Dating)
- \* Assessment (including Archaeological and Architectural Investigation, the Blue Plaques Team and the Survey of London)
- \* Imaging and Visualisation (including Technical Survey, Graphics and Photography)
- \* Remote Sensing (including Mapping, Photogrammetry and Geophysics)

The Heritage Protection Department undertakes a wide range of investigative and analytical projects, and provides quality assurance and management support for externally-commissioned research. We aim for innovative work of the highest quality which will set agendas and standards for the historic environment sector. In support of this, and to build capacity and promote best practice in the sector, we also publish guidance and provide advice and training. We support community engagement and build this in to our projects and programmes wherever possible.

We make the results of our work available through the Research Report Series, and through journal publications and monographs. Our newsletter *Research News*, which appears twice a year, aims to keep our partners within and outside English Heritage up-to-date with our projects and activities.

A full list of Research Reports, with abstracts and information on how to obtain copies, may be found on [www.english-heritage.org.uk/researchreports](http://www.english-heritage.org.uk/researchreports)

*For further information visit [www.english-heritage.org.uk](http://www.english-heritage.org.uk)*

