

An Archaeological Excavation
at
‘The Hollies’, 1 Bove Town,
Glastonbury, Somerset
GBT 05

Mendip District Council Planning References:

076213/010; ah/arp/1/02/0488

Somerset County Museum accession number:

18/2004

Carried out for Mr. D. Atkinson

Part One: The Text

Part Two: Appendices



by

C. and N. Hollinrake.
Ltd.,
12 Bove Town
Glastonbury,
Somerset BA6 8JE

Report Number 425/2 revised 2018

An Archaeological Excavation at ‘The Hollies’, 1 Bove Town, Glastonbury

Appendices

I Photo Gallery1

II Context Matrices: Trench 6 and Trench 73

III Context Lists5

IV Finds Lists45

V Finds Drawing List and Drawings.....142

VI M.J.HUGHES, 2012150

Plasma Spectrometry Analysis (ICPS) of Pottery from Waster Pits at Bove Town, Glastonbury, Somerset [NGR ST 502 390]

Analysis courtesy of Glastonbury Abbey Trustees, arranged by John Allan as part of the Glastonbury Abbey Archaeological Archive project undertaken by Prof. Roberta Gilchrist and her team from Reading University.

VII Special Finds Register and Drawings.....158

VIII L. Higbee, 2007160

Animal bone and oyster shell from Bove Town, Glastonbury Somerset (GBT05)

APPENDIX I: PHOTO GALLERY



Initial cleaning of Area 7 south (looking west).



Excavation of Area 7 south (looking west).



Area 7 being excavated (looking northwest). Conditions were hot and dry, so the cleaned features were protected from drying out by covering with blue plastic sheets.

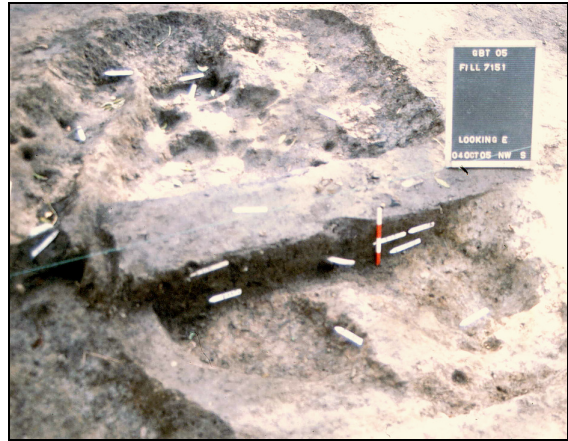
Glastonbury Bove Town
GBT 05



Area 7 south looking southeast



Phase VI boundary ditch



The Phase III curving ditches.



Area 6, looking east.



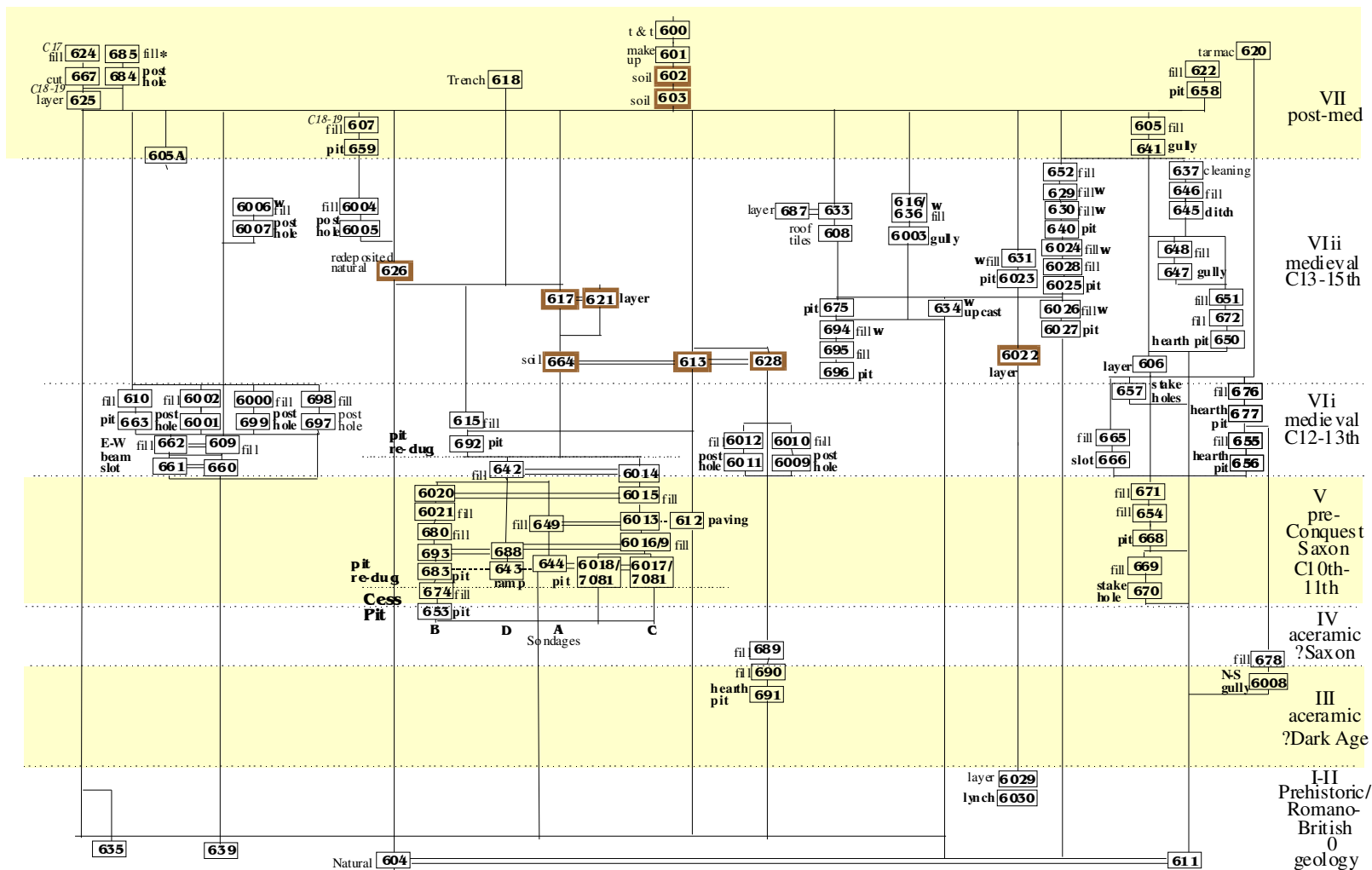
Clay pit 696.



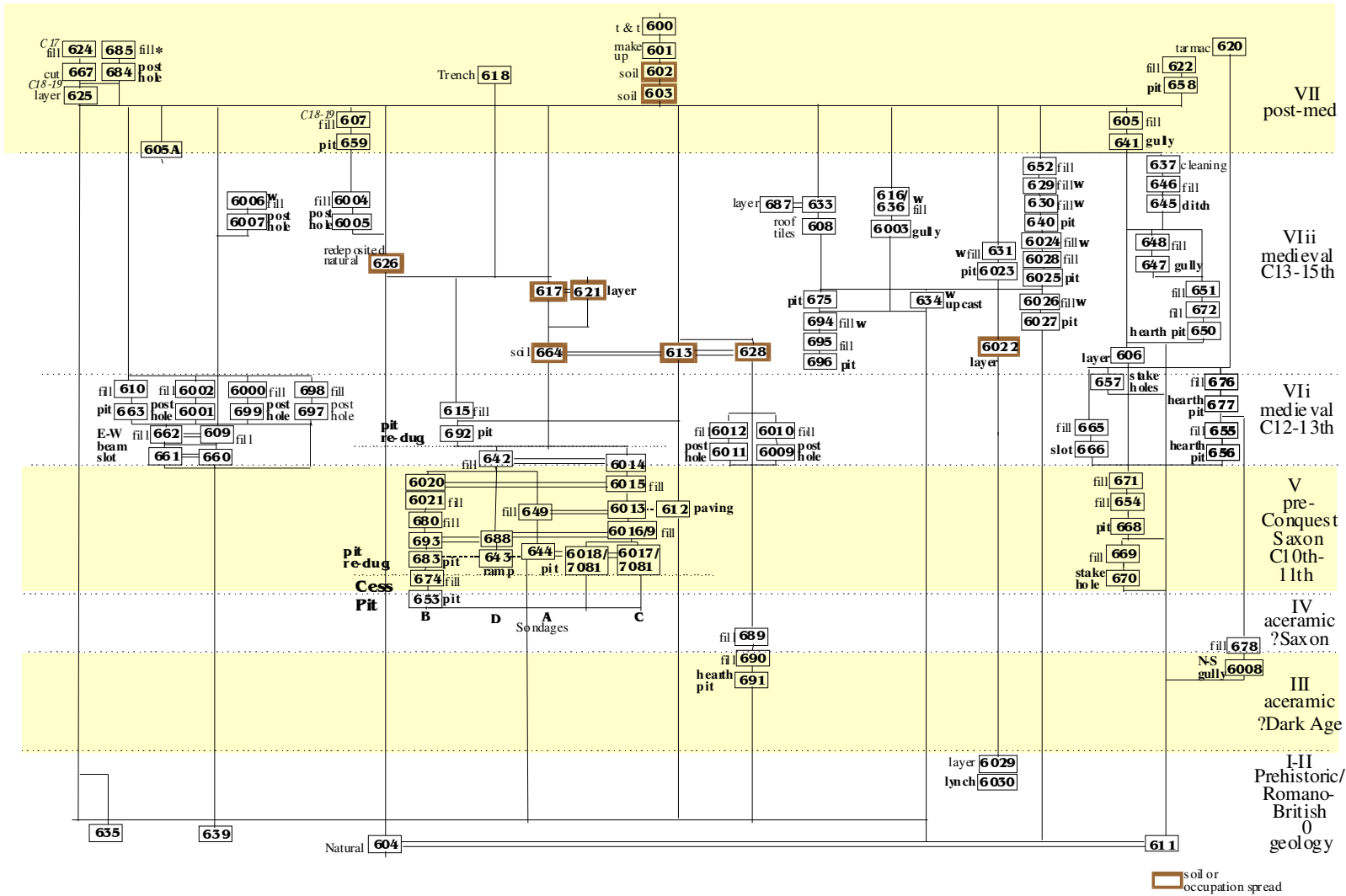
Hearth pit 656 and stake holes 677.

APPENDIX II: Context Matrices: Trench 6 and Trench 7

Trench 6



Trench 7



APPENDIX III Context lists

Context	Type	Description of Context	Interpretation	Date
TRENCH 1				
100	deposit	dark grey-brown loam with roots. Up to 0.30m deep.	turf and topsoil	modern
101	deposit	pale, greyish-brown, sandy, up to 0.20m deep with small stones and tree and plant roots. Below 100	post-medieval cultivated soil	modern
102	deposit	Below 101, Dark grey with small stones and small roots, 0.3m-0.4m deep. Pockets of yellow clay. Modern pottery near to base.	post-medieval cultivated soil	modern
102A	deposit	South end, baulk left - not excavated	lower part of 102	
102B	deposit	South end, baulk left, below 102A - not excavated	lowest part of 102	
103	layer	South end, Below 102, Above 117, spread of dark grey, sandy, loamy clay with stones up to 0.25m. Some coal, Six stones running roughly N-S, ending in N at ditch 105. 1 stone burnt, continues below E section	possibly connected with stables shown on 1844 map or with earlier occupation structures.	?C15-16
104	layer	Mixed grey clay and orange clay and stones up to 0.15m. Possibly base of 102B	uncertain	
105	fill	Soft, grey brown sandy clay, Below 102, S end, Above 116, 117, Fill of ditch 118	Upper fill of ditch 118	?Post-Med
106	geology	Orange, sandy clay containing small, hard, orange sandstone pebbles. Some root action in surface	Natural Geology	0
107	layer	W side of trench, mainly, Spread of pale grey, sandy clay, up to 5.0m long N-S up to 0.8m wide to E of section. Irregular, Below 102	Uncertain, ?leached sub-soil	?Post-Med
108	cut and fill	N end, below 102. Sub-circular patch of dark grey clay in 106, 0.3m N-S x 0.15m E-W. Filled a small, bowl shaped cut into 106, c.0.15m deep	Uncertain, possibly a post or stake hole, uncertain date.	
109	layer	Below 102, pale, buff-grey sandy clay, mostly machined away, visible in E section, Above 106. Up to 0.15m deep, filled a small hollow in 106 below NE part of trench	Similar to 107, not the same, possibly a leached soil. Did not continue S of ditch 129.	
110	fill	Spread of pale, greyish-green, soft, sandy clay with straight edge to S. Aligned roughly SW-NE, through 106. Shallow, fill of cut 138, only c.0.05m deep, Above 139 and 140	Fill of square edged feature 138, possibly structural, similar to 109 and 107.	?pre-950AD
111	fill	Fill of ditch cut 127, Cut by 145, Below 112, greyish sandy clay with charcoal and small frags of burnt stone, earlier fill of Saxon ditch	Early fill of Saxon ditch	?pre-950AD
112	fill	Fill of ditch cut 145, Above 111, dark grey, crumbly loamy clay with frequent charcoal, slag, pot etc	Later fill of Saxon ditch	c.950-1050AD

Context	Type	Description of Context	Interpretation	Date
113	fill	Fill of 114, Above 119, Below 107, pale grey, sandy clay with some charcoal, c.0.20m deep. Same as 119	Upper fill or sealing layer of 114	C14-15
114	cut	Cut of sub-oval feature, c.1.8m N-S x c.0.5-0.6m E-W, c.0.25m deep, contains 3 possible postholes, filled by 113, 115, 119	Structural feature	c.C13
115	fill	Below 113 within cut 114/122, grey sandy clay with patches of redeposited red clay	Main fill of 122	c.C13
116	fill	Below 105, within cut 121, dark grey silty clay with small stones up to 0.15m	Fill of shallow cut or pit, 121	C14
117	layer	Below 103, 105, Above 124, dark grey silty clay with occasional grits, seals ditch 129	?occupation/trample layer above earlier ditch 129	C14-15
118	cut	W-E oriented, containing 105, shallow slope on N, possibly cutting 103 on south	Re-cut of earlier ditch	probably Post-Med
119	fill	South part of fill of 114, same as 113, similar to 107, light grey sandy clay up to 0.20m deep, contained a sherd of post-med pot - possibly intrusive	Fill of feature 114	C14-15
119A	fill	N of 119, Above 123, c.6mm thick,	base of 119	
120	layer	S end of trench, orange gritty sandy clay with stones, Surface of 106 but not the same as 106, not excavated	Possible occupation/trample layer	
121	cut	Cut filled by 116, Cuts 106 and 117 and 126, Below 105, shallow, bowl shaped, c.1.0m diameter, c/ 0.10m deep	Uncertain, possibly the base of a pit	C14
122	cut	Cut filled by 115, probably part of 114, in base of 114, c.0.55m wide, c.0.25m deep, filled by 119	Same as 114	
123	fill	Below 119A, same as 113, within cut 14, Above 125, c.0.14m thick	Lower fill of 114	C13-14
124	fill/lens	Below 117, pale grey, gritty, paler than 117, c.0.02m thick at E and c.0.10m deep at W end of sondage, lies above 128	lens of upper fill of 129	C13-14
125	fill	Below 123, bottom fill of cut 114, similar to 123	Base fill of 114	C13-14
126	fill	Below 124 and 117 and 121, Above 128, pale buff-grey silty clay on N edge of ditch 129; thin, deepening to W, c.0.02-0.05m deep, filling a narrow slot running E-W, c0.20m wide	Fill of narrow slot/drain, surface of ditch 129	C14-15
127	cut	Linear cut, ESE-WNW, 119degrees, containing 111, Cut through by 112/145, ca.0.8m wide, curving base with associated features, deeper to W	Saxon ditch	?pre-950AD
128	fill	Fill of Cut 129, Below 126, light greyish-brown silty clay with few finds	Fill of Ditch 129	uncertain, pre-12th?

Context	Type	Description of Context	Interpretation	Date
129	cut	W-E oriented ditch cut containing 128, 126, 124, Cuts 106, slot at base widening to W. Cut is up to 0.70m wide, c. 0.40m deep, shallow gully along S edge, c.0.15m wide x 0.04m deep running into V shaped slot up to 0.30m wide and 0.20m deep at W.	Medieval ditch/drainage gully, still in use in C13-14, Re-cut later	?pre-12th
130	post hole	large posthole with grey sandy clay fill, Oval, c.0.36m E-W x 0.32m N-S x 0.27m deep, steep sloping sides with a rounded, almost pointed base, no packing stones	Large structural posthole, probably connected with 114	possibly pre-12thC
131	post hole	possible base of posthole cutting 106, irregular, 0.26m x 0.32m x 0.06m deep, rounded base with two possible stake points	Possibly connected with 114 and 132	
132	post hole	adjacent to 131, filled by brown-grey sandy clay, 0.22m x 0.32m x 0.04m deep	Possibly associated with 131	
133	fill	Fill of narrow slot 134, grey clay with a few charcoal flecks, below 111N	Fill of slot 134	pre-950?
134	cut	Cut containing 133, curving linear cut, U shaped profile, c. 0.23m wide x 0.03m deep but deepening to 0.12m at W, north bank may be redeposited natural. Cuts 106 and yellow clay 135, pockmarked with small ?stake holes? on N side/bank	Drainage gully or slot associated with 127	?pre-950
135	deposit	Mound of yellowish clay in NE corner of sondage	uncertain	
136	fill	greyish clay with few charcoal flecks, similar to 111 and below 111. Fill of cut 137, slightly lighter and harder than 111	Associated with cut 127	?pre-950
137	cut	Contains 136, irregular, squared with rounded bulb in N side, vertical sides	Uncertain, associated with 127	?pre-950
138	cut	Cut containing 110, shallow, up to 0.05m deep with straight edge on S side, upper part removed by machine, Cut by 127. Flat base with small holes, possibly stake holes. Probably cut by 139/140	Probably a structural feature but function unknown	Possibly pre-950
139	cut and fill	Below 110, linear spread of silty grey clay in very shallow cut, c.0.01-0.02m deep x 0.20m wide, flat base, follows S edge of 138, possibly part of 138,	Probably structural feature, possibly a beam slot associated with 138	Possibly pre-950
140	cut and fill	Below 110, linear feature, 30degree oriented, c.NE-SW, filled by green, sandy clay with similarities with 206., following N side of cut 138 and parallel with 139, Cutting 141 in base of 138, c.60degree sides but width and depth not known	uncertain	Possibly pre-950
141	?deposit or fill	Within 142, Cut by 140, within base of 138 and Below 110, silty, grey clay with abundant orange mottles, rare charcoal	uncertain	Possibly pre-950

Context	Type	Description of Context	Interpretation	Date
142	cut	Linear cut filled by 141, steep sides with scalloped edges, cuts 143 and 106 at base, aligned at 30degrees		Possibly pre-950
143	fill	Fill of cut 144, below 142, greyish orange clay but firmer than 142, more clayey, more orange, softer pockets	Fill of cut 144	pre-950?
144	cut	Filled by 143, linear, c.30degrees, S side almost vertical, flattish base, Cut into 106	Cut for 143, uncertain function or date	Possibly pre-950
145	cut	Ditch/drainage ditch containing 112, Cuts 127, ca.1.5m wide and up to 0.30m deep, U shaped and sloping down to west	Drainage ditch and/or property boundary	C10-11
TRENCH 2				
200	deposit	Dark greyish-brown, sandy, loam. Many roots, up to 0.25m thick	Turf and Topsoil	modern
201	deposit	Below 200, dark grey sandy clay with roots, small stones. Up to 0.30m thick, Above 202, 203, 204, 205	Cultivated soil	post-med and modern
202	layer	Band of darker grey loam up to 0.20m thick, Below 201 Above 203 and 205	Possibly an old turf line	? Post-Med
203	layer	North and centre of trench in E section, machined out, Below 201, Above 204, 205, Same as 302, Up to 0.25m thick. Discontinuous band of redeposited, natural yellow clay, disturbed by cultivation	Probably the disturbed and spread bank for ditch 214. Also present in the W section but not in the S section	Bank of medieval ditch 214/218
204	wall	Stones, Lias rubble blocks up to 0.30m in grey-buff sandy clay ?bond. Below or associated with 203, Above 205, Machined out, not in W section.	Possible base of ?post-medieval wall	?medieval or Post-Med?
205	deposit	Below 203, 204, 201. Base of machined section, grey-buff sandy clay, finer than 201/202, ?Base of cultivated soil and possibly upper part of ditch 214	Base of cultivated soil, machined out and possibly mixed with upper part of ditch 214	?medieval
206	deposit or ?natural	Yellowish-green to khaki-green, mixed, sandy clay along W edge of trench. Cut by ditch 214/218 and by postholes 207, 215, 210. Same as 307	Possibly old sub-soil	possibly natural geology
207	cut and fill	Double Posthole, both c.0.15m diameter x 0.25m deep, cut through 206	Double Posthole, possibly associated with ditch 214	C11-13
208	layer	Patch of sandy grey clay in 206. Base of cultivated soil, not a feature	filling a hollow in 206	
209	deposit	Below W section, cut through 206, sub-circular patch of grey clay with Lias rubble block and brick, c.0.50m W-E x 0.90m N-S. Not excavated	Base of post-medieval pit or feature	C19
210	fill	Fill of Pit 212. Sub-circular patch of dark grey clay filling base of pit. Contains C19 pot and artefacts	Fill of C19 pit feature 212	C19

Context	Type	Description of Context	Interpretation	Date
211	fill	Within ditch 214. Linear spread of dark grey clay running N-S through trench, east of 206. Cleaning bags C1-C8 are on the surface of 211. Excavated in spits 211A-211K	Fill of ditch cut 214.	C11- ?C15
211A	fill	Top fill of ditch 214 (below machine cut), mixed grey and green clay, some roots and small stones up to 0.20m, excavated in spit c.0.15-0.20m thick	top of ditch 214 (below machine cut)	C13-14
211B	fill	Below 211A, similar to A, slightly paler, c.0.20m thick, contains small stones and some roots	ditch fill below A	C13
211C	fill	Below 211B, similar to B but slightly more green, stones up to 0.20m. Up to 0.20m thick	ditch fill below B	C12
211D	fill	Below 211C, greenish grey clay, Above 206 in step of cut 214 to W side of ditch cut, charcoal flecks	ditch fill below C and within step on W side of ditch 214.	C12
211E	fill	Below C in main ditch section, greasy, green clay mixed with grey clay, c.0.10m thick spit, some charcoal	ditch fill below C in centre of ditch 214	C12
211F	fill	Below E, sticky grey clay, some charcoal, up to 0.10m thick	ditch fill below E	
211G	fill	Below F, grey silty clay with small stones and charcoal flecks, only c.0.05m thick	ditch fill below F	C11-12
211H	fill	Below G, thin, greasy clay with few finds and charcoal flecks	ditch fill below G	C11
211J	fill	Below H, redeposited yellow clay and pockets of grey clay, bank slump at base of ditch, a few finds on base	lower ditch fill below H	C11
211K	fill	Below J, Base fill of 214, pale, greyish-orange with small stones, some burnt and charcoal	base fill of ditch 214	C11
212	cut	Pit cut containing 210, Sub-circular, c0.7m x 0.6m x 0.45m deep below machined level. Cut 206 and natural yellow clay 213	Post-med rubbish pit or similar feature	C19
213	natural	Natural yellow, Lias clay, below 206, cut by 212 and 214/218	Natural geology	0
214	cut	Ditch Cut containing fill 211, c.1.0m wide and 1.0m deep, V shaped with flat channel at base and step at upper W side, Cuts 206 and 213	Property boundary aligned N-S	C11- ?C15+
215	cut and fill	SW corner, within and cutting 206, Curved edge to N with less obvious edge to E, Part of disturbed area including 207/216 and two more possible postholes. Filled by dark grey clay, c.0.18m deep, stones, roots	Uncertain features, possibly disturbed post hole/s associated with ditch 214	C12-13
216	cut and fill	Posthole in 215, cuts 206, N of 207, c.0.25m diameter x 0.18m deep	Posthole in disturbed area, probably associated with 214	C12

Context	Type	Description of Context	Interpretation	Date
217	fill	Ditch fill, same as 211, Below 205/303, excavated on N section of trench, within cut 218 = 214, Excavated in spits A - K. Dark grey with stones and roots.	Fill of ditch cut 218 = 214 same as fill 211, excavated in spits	Fill of medieval ditch 218/214
217A	fill	Top fill of ditch 218 below machine cut. Mixed grey clay with stones up to 0.10m, c.0.15m thick, roots. Possibly disturbed by cultivation (brick and late pot)	Top fill of 218 below machine cut level. Similar or same as 305	Late-med
217B	fill	Below A, c.0.10m deep, mixed grey clay. Contained a Cu Alloy coin	ditch fill below A	C14
217C	fill	Below B, c.0.20m deep, similar to A	ditch fill below B	C13-14
217D	fill	Below C, c.0.10m deep, roots, mixed grey clay and small stones	ditch fill below C	C13-14
217E	fill	Below D, c.0.10m deep, some roots	ditch fill below D	C13
217F	fill	Below E, c.0.10m deep, slightly paler grey than E with small stones and roots	ditch fill below E	C13
217G	fill	Below F, c.0.10m deep, some yellow clay lenses, small stones, one stone c.0.15m, stickier than F	ditch fill below F	C12-13
217H	fill	Below G, up to 0.20m deep, sticky, mixed clay with some stones, top layer of bottom fill	ditch fill below G	C12
217I	fill	Below H, base of slot above natural yellow clay, c.0.15m deep, base fill	Base of ditch fill below H	C11-12
217J	fill	Primary fill, East side, below E, F, G, H, I. lumps of yellow clay in mixed grey clay, more yellow above than below. Few finds	Primary fill on E side of ditch 218, probably bank slump	C11
217K	fill	Primary fill, West side, below E-I. Greeny-grey clay lying against natural clay 213, c.0.05m thick. No finds	Primary fill (probable) on W side of ditch cut 218.	?C11
218	cut	Ditch Cut = 214. Filled by 217. Ditch c.1.0m wide x c.1.0m deep with step on upper west edge and flat base.	Property Boundary	C11-12
TRENCH 3				
300	deposit	Dark grey at West end of trench only, c.0.20m thick, Above 301	Turf and topsoil	modern
301	deposit	Below 300, 304. Grey sandy clay up to 0.30m thick. Above 302	Cultivated Soil	Post-medieval
302	layer	Lens of redeposited, yellow Lias clay, Same as 203, up to 0.20m thick, Below 301, Above 303, Also present in N section above 303 but does not extend west of ditch 218	Redeposited yellow clay bank to 214 / 218. Disturbed and spread by cultivation	Medieval
303	deposit	Below 302 at West end of trench and 301. Grey, sandy with small stones, Above 305, 306, 308. Up to 0.30m thick	Cultivated soil, machined away	Medieval and ?post-med
304	layer	Tarmac and associated hardcore of tennis court. Tarmac c.0.12m thick and hardcore of red scalplings and stone rubble up to 0.18m thick. Above 303	Surface and hardcore for tennis court	Modern

Context	Type	Description of Context	Interpretation	Date
305	deposit	West end of trench, base of machine cut, East of 211/217, cleaning bags 3C8-3C10 on its surface. Grey sandy clay with charcoal flecks, some small stones, small roots, below 303. 0.10m-0.13m thick containing bone, pot, slag etc. West end runs into 217A. Above 306. West end of 305 might be part of 217	Lower part of cultivated soil	C11-12
306	deposit	Below 305, above 307 and 326 and natural clay 317. Cleaning bag C11 on surface. Below 305 and 303, yellowish-green-grey sandy clay containing frequent charcoal and grits. Above 307 and 326. West part of 306 might be part of 217	?Base of cultivated soil	?C12
307	?natural	Green sandy clay, similar to 206, running down the slope from E to W	Possibly a natural subsoil	0
308	deposit	West/centre of trench, Below 303. Grey silty clay with charcoal flecks and stones up to 0.25m. Cleaning bag C7 on surface. Contained slag, pot and bone	?Base of cultivated soil or occupation spread	C11
309	fill	Fill of Linear Feature. Fill of cut 330. Below 308, 311, 303. Grey clay. Aligned E-W extends almost the full length of trench 3. c. 0.28m wide.	Fill of small E-W aligned gully (330)	C14
310	fill	Patch of grey clay in the centre of the trench. Above 307. When half sectioned it was revealed to be the fill of a group of 1 post hole and 2 stake holes. Post-hole was steep sided, 0.2m wide and 0.14m deep. Stake holes were 0.1m wide, 0.04m deep and 0.12m wide and 0.1m deep.	Fill of group of 1 post-hole and 2 stake holes.	uncertain
311	deposit	Centre of trench, below 303, above 312, 332, 335. Similar to but upslope of 308. Grey clay containing flecks of charcoal and small stones. Cleaning bag 3C5 on surface. Contained pot and bone	?Base of cultivated soil or occupation spread	C12
312	deposit	East/centre of trench. Above 335, Below 311. Spread of dark clay containing super abundant charcoal. East side of 311, c. 0.2m wide.	?Dump of ash on top of shallow depression formed by silted up ditch (cut 339)	C12
313	fill	East end of trench. Below 314. Fill of cut 343. Pale grey clay with flecks of charcoal throughout, moderate angular orange stones, occasional slag. 0.6m wide x 0.26m deep. Contains abundant concretions (iron pan/worm or root casts), 1 fired clay and 1 burnt stone	Fill of E-W aligned ditch (343)	?pre-950
314	fill	East/centre of trench. Below 303. Above 313. Grey clay containing small stones. Fill of cut 334. Same as 316, 319, 320. 0.45m wide, unexcavated	fill of E-W aligned small gully (334)	

Context	Type	Description of Context	Interpretation	Date
315	fill	East/centre of trench. Fill of cut 341, Cut by 334, Below 303. Grey clay fill of E-W aligned gully north of, parallel to, and Cut by gully 334. 0.28m wide. Same as 331 and 331A.	fill of severely truncated E-W aligned gully (341)	uncertain ?C10-11
316	fill	East/centre of trench, south of 315. Cuts 317 and 341, Fills 334, Below 303. Grey clay fill of E-W aligned gully south of, parallel to and cutting gully 341. 0.15m wide, widens to the west where it merges with 314. Cleaning bag 3C4 on surface.	fill of E-W aligned small gully (334)	C14
317	natural	East half of trench, orange/green clay with grey clay lenses	possibly natural subsoil	0
318	deposit	East end of trench. Below 303, above 337. Patch of grey clay filling a shallow depression in 337. 0.2m wide N-S, 0.6m wide E-W.	possibly base of 303.	
319	fill	east end of trench. Fills 334, Below 303, same as 316, 320. Grey clay containing moderate charcoal and gravels, rare slag and moderate pot and animal bone, wet.	Fill of linear E-W aligned gully (334)	C14
320	fill	East end of trench, east of 319. Fills 334, 341, same as 319.	Fill of linear E-W aligned gully (334)	C14
321	deposit	East end of trench. Below 303, Above 333, 317, Cut by 334. Spread of grey clay with charcoal flecks and small stones running N-S across trench.	possibly base of 303	C12
322	deposit	East end of trench. Below 301, same as 303. Eastern edge of trench in east section. Not excavated	same as 303	
323	deposit	West/centre of trench. Below 308, Cut by 309, possibly the same as 306. Greenish grey silty clay with frequent flecks of charcoal, bone and occasional large stones. Also contained a fragment of bone carved with bands of horizontal incised lines.	?base of cultivated soil, medieval cultivated soil?	C12
324	fill	West/centre of trench. Below 323, Fill of 327. Mixed grey/green silty clay in a sub-circular patch c. 0.38m wide, 0.14m deep.	?fill of pit/ditch terminus	?pre-950
325	fill	West/centre of trench, east of 324. Below 323, Fills 328. Mixed grey and yellow silty clay containing charcoal flecks, bone and flint. Fills NW-SE aligned gully, 0.46m wide.	fill of NW-SE aligned gully (328)	?pre-950
326	fill	West end of trench. Below 306, Fills 330. Greenish grey sandy clay containing frequent flecks of charcoal. Fills E-W aligned gully 330. ?same as 329?	severely truncated fill of gully (330)	uncertain ,possibly C13/14

Context	Type	Description of Context	Interpretation	Date
327	cut	West/centre of trench. Below 308, 323, Filled by 324, Cuts 307. Semi oval shaped in plan (only half of it exposed), 0.5m wide E-W. Steeply sloping sides with a rounded break of slope at base. 0.14m deep.	?pit or ditch terminus	?pre-950 ?associat ed with 328?
328	cut	West/centre of trench, east of 327. Below 323, Filled by 325, Cuts 307. NW-SE aligned linear cut, shallow at north end sloping towards the south. Steep sides in the south, shallow sides to the north and a flat base. 0.56m across (E-W) 0.2m deep in the south and 0.6m deep in the north.	NW-SE aligned gully, truncated to the north.	?pre-950 associate d with 327?
329	fill	West/centre of trench. Below 308, fills 330, cuts 323, same as 309.	fill of E-W aligned gully (330)	C13/14
330	cut	Centre and west end of trench. Below 308, 306, 303, filled by 309, 326, 329, cuts 307 & 323. Possibly the same as 334, 341 or both. Linear E-W aligned gully, 'v' shaped profile, up to 0.45m wide and 0.12m deep.	E-W aligned small truncated gully	C14
331	fill	East end of trench. Below 320, 303, Fill of 341, Cut by 334. Fairly clean grey clay containing moderate very fine gravel, no finds.	fill of E-W aligned gully (341)	uncertain , ?C10- 11
331A	fill	East end of trench. Below 338, fill of 341, cut by 334. Same as 331 but 50cm further west.	fill of E-W aligned gully (341)	C11
332	fill	Centre of trench. Below 311, Fills 340. Grey clay containing charcoal. Fill of a N-S aligned gully (340) 0.4m wide and 0.2m deep.	fill of N-S aligned gully (340)	C13/14
333	fill	East end of trench. Below 321, 322, 303, Fills 344, Cut by 334. Mottled green/grey clay with patches of orange/yellow clay and containing moderate charcoal, abundant mineralised worm/root casts, small fragments of bone and 1 flint flake.	fill of E-W aligned ditch (344)	C13/14, possibly earlier
334	cut	Centre and east of trench. Below 303, Filled by 314, 316, 319, 320, 342. E-W aligned linear gully with steep sided 'v' shaped profile. Parallel to and north of 344, parallel to and south of 341. 0.25m wide and 0.2m deep.	E-W aligned small gully	C14
335	fill	Centre/east of trench. Below 312, Fill of 339, same as 313. Grey silty clay fill of gully 339. Contains flecks of charcoal and bone.	fill of NE-SW aligned gully(339)	C12
336	natural	East end of trench. Below 303, 322. Cut by 344, 334, 341, same as 317. greenish orangey-yellow mottled clay	probably natural clay	0

Context	Type	Description of Context	Interpretation	Date
337	deposit	East end of trench. Below 318, 303. Above, 338. Small area of mixed yellow/brown redeposited clay. 1.1m wide, 0.1-0.15m thick.	patch of redeposited clay. Possibly deposited when gully 334 was first dug	C14/15
338	deposit	East end of trench. Below 337, 303. Cut by 334, Above 331. Grey/brown sandy clay containing frequent gravels and moderate large Lias stones and charcoal. 331 was severely truncated then sealed by 338 suggesting that 338 maybe a cultivation soil.	possible cultivation soil	C13
339	cut	Middle of trench. Filled by 335, Cuts 307, 317. Cut for shallow gully with 'U' shaped profile aligned NE-SW. 0.38m wide at top, 0.18m wide at base, 0.1m deep. Steep sides with undulating base.	truncated NE-SW aligned gully	C12
340	cut	Centre of trench. Below 311, Filled by 332, Cuts 307. N-S aligned ditch, 0.4m wide at top, 0.15m wide at base, 0.2m deep. Steep sides with rounded break of slope at base, flattish base	N-S aligned ditch	C13/14
341	cut	East end of trench. Filled by 331, 331A, 315. Cuts 317, cut by 334. Cut for severely truncated E-W aligned 'V' shaped gully. It is parallel to but N of 334 and 344. At the W end of the trench 341 and 334 merge to form 330. The gully was filled by 331 prior to being truncated and then sealed by 338. 334 was subsequently cut into 338 with the spoil (337) deposited on top of 338. 341 is up to 0.2m wide and 0.08m deep.	E-W aligned gully, severely truncated	C11
342	fill	East end of trench. Below 319, Primary Fill of cut 334. Slightly mottled, greenish-grey clay silt containing frequent very fine Lias gravels and occasional flecks of charcoal. Up to 0.1m thick.	primary fill of gully 334	C13/14
343	cut	Centre/east of trench. Filled by 313, Cuts 317, Cut by 334. A steep sided flat based cut, most probably a drainage ditch. There is a ledge on the south side which appears to be associated with cut 339. The western end of the gully is 0.75m wide, with the ledge. The eastern end is 0.36m wide. The ditch is 0.26m deep except over the ledge where it is 0.2m deep. The profile of this ditch is similar to 332. It is probably the same as cut 344.	probably a drainage ditch	?C13/14

Context	Type	Description of Context	Interpretation	Date
344	cut	East end of trench, filled by 333, cut by 334, cuts 317, 336. Cut of E-W aligned ditch with 'V' shaped profile at eastern end and a 'U' shaped profile at western end. Steep sided, 0.6m wide x 0.24m deep. Probably the same as 343.		C13/14 possibly earlier
TRENCH 4				
400	layer	Tarmac and pink hardcore. Above 401, 0.35m thick at east end, 0.50m thick at west end	tennis court	modern
401	layer	Re-deposited mixed yellow clay. Below 400, Above 402. 0.1m thick at east end, 0.40m thick at west end. Machined away	landscaping/dump/make-up deposit for tennis court	modern
402	layer	Dark brown sandy clay layer containing frequent charcoal, pot and tile fragments and glass. Below 401, Above 403. Machined off, 0.12m thick at west end, 0.24m thick at east end of trench. Possibly the same as 407	probably a post-C19 cultivated soil deposit	modern
403	?natural	West end of trench. Below 402, Above 404, removed by machine, probably the same as 406. 0.1m thick. yellow/green sandy silty clay containing some charcoal.	?natural subsoil, truncated to the east (upslope).	0
404	natural	Natural yellow clay	Natural Geology - Lias clay	0
405	fill	Centre and east of trench. Fills 420, Below 402. Yellow/green sandy silty clay with some charcoal. Fill of linear feature (420) aligned E-W. 0.4-0.5m wide x 0.2m deep, vertical sides. Possibly the same as 403 and 406	Either the fill of foundation trench or a drain	C18-19?
406	deposit	Centre/west of trench. Below 402, above 404. Patch of yellow green/brown sandy clay with charcoal. Similar to 403 & 405.	?base of subsoil (403)	
407	deposit	Centre of trench. Below 402, Above 408. Dark brown sandy clay with frequent inclusions including brick, pot, stone and charcoal. Base of 402 left by machine 0.72m wide E-W and extends 1.2m from the N facing section.	base of 402	C19/20
408	deposit	Centre/east of trench. Below 407, 402, butts up to 421, Above 422. Dark brown sandy clay deposit within large Lias stones against N facing section.	transitional deposit between 407 and 422	C18-19?
409	cut and fill	Posthole, c.0.20m diameter x 0.15m deep, rounded base, filled by dark brown silty clay	Post-medieval posthole	C18-19
410	layer	Patch of mixed grey silty clay, NE corner. Proved not to be a feature	not an archaeological feature	
411	fill	East end, spread of dark brown clay, Fill of cut 414	Fill of 19th century feature	C19
412	layer	East end, stony patch with dark brown clay, disappeared with re-trowelling	Probably the base of 402	C19-20

Context	Type	Description of Context	Interpretation	Date
413	cut and fill	Greeny-grey silty clay below N section, proved to be fill of large posthole	Fill of posthole	C17-18
414	cut	Rectangular feature, Filled by 411, Cuts 404; 0.50m N-S x 0.38m W-E x 0.15m deep. Fill contained medieval and modern finds.	Uncertain function, ?seating for square post	C19
415	fill	Fill of 416, Partly below S section, light grey silty clay with bone and pot	Fill of feature 416	C17-18
416	cut	Sub-circular feature partly below S section, Filled by 415. c.0.50m W-E x up to 0.25m deep	Feature connected with 17th/18th century occupation	C17-18
417	cut and fill	Small slot, Below 407, filled by soft, grey-brown silts. Contains brick fragments, c.0.25m N-S x 0.10m E-W x 0.14m deep,	Part of C19 occupation, unknown function - see 417 and 418	C19
418	cut and fill	Below 407, Irregular, small feature filled with soft, grey brown silt, Factory-produced pottery, ca. 0.37m N-S x 0.20m E-W x 0.14m deep	Part of C19 occupation, unknown function	C19
419	cut and fill	Below 407, Irregular cut into clay containing brick frags, clay pipe stems etc. Filled by grey-brown soft silty clay	Part of C19 occupation, similar to or part of 417 and 418	C19
420	cut	Linear W-E cut, Filled by 405, 0.48m wide x 0.20m deep, Vertical sides, irregular and uneven or pitted base which slopes down towards the W. Tiny fragments of white pottery on base	possibly a wall foundation or a drain running down the slope	C18-19
421	fill	Fill of foundation trench 424 containing 422, only a very thin section between the stones and natural clay, flush with section wall.	fill of foundation trench for wall 422	?C17-18 or ?later
422	wall	Below 408, Associated with 421, Lias rubble blocks tightly packed into a foundation trench, Straight edge to S, at E end are stones returning to S, Bonded by yellow clay and soft yellow lime mortar. Three courses removed, more below, too restricted to remove more stones. Stones up to 0.20m x 0.15m x 0.15m	Part of a wall, Uncertain date, no finds, within cut 424	C17-18? or ?later
423	-	not a context - error	-	0
424	cut	Foundation trench, Cuts 404, Below 402/407, Associated with upper stones 408. Contains stone foundation 422. Stones flush against foundation trench side.	Foundation trench for wall 422	?C17-18 or ?later
TRENCH 5				
500	deposit	Dark greyish-brown sandy loam up to 0.20m deep. Lies above 501 - 504. Same as 501. Probably introduced (or re-laid) after landscaping and levelling of natural slope.	Modern Turf and Topsoil	modern

Context	Type	Description of Context	Interpretation	Date
501	layer	Base of topsoil, lying above 502, light brown sandy clay with occasional charcoal and mortar, truncated to north by path 503. Contains Only a skim left by the machine	Base of topsoil deposit	modern
502	natural	Natural, yellow, Lias clay	Natural Geology	0
503	deposit	Base of path, now disused and grassed-over, Above 502, Cuts through 501 and cuts through 502. Sandy brown clay with frequent stone, brick and tile fragments, some mortar flecks, only c.2mm left after machining, up to 5mm before machining, below 500	Remains of foundations for disused and grassed-over path	modern
504	fill	Circular patch of grey clay, c.0.22m diameter. when excavated less than 2mm deep, no finds, probably the base of a truncated feature	base of truncated feature	not known

Phased Context List

Phase 0

Soil layers

Context	Type	Description	Interpretation
772	Deposit	Firm green grey silty clay with flecks of yellow clay. Contained 1 pottery sherd, bone & charcoal. Up to 20cm thick. Below t & t. Overlies 703, 773, 7095, 7113, 7114, 7191	sub - soil
7085	Layer	Moderately compact grey silty clay with mod. amounts stone, bone & pottery. c.5cm thick. Overlies 765, 7123, 7122 . Same as 766 .	Base of a cultivation soil layer
766	Layer	Moderately compact dark grey loamy clay with freq. stones, charcoal, pottery. c.5cm thick. Overlies 765 Same as 7085 .	Probably the base of a cultivated soil layer.
704	Layer	Firm greenish-grey gritty clay with mod. amounts of pottery & occ. bone, slate & Fe nails. c.15cm thick. Sondage finds separated into 704A (upper part of fill 5-7cm thick) & 704B (lower portion of fill 5-6cm thick). Overlies 705A, 723, 724, 727	occupation spread
7068	Layer	Fairly compact mixed orange & greenish-grey mixed clay & silt, occ. charcoal flecks & small iron stones. Up to c.10cm thick. c.1m wide (E-W), but continues under the Western baulk of Area 7. Exposed in c.1.5m are (N-S) against the Western baulk of Area 7. Underlies 713, 716, 739, 741, 7006 . Overlies 703	Colluvium.
7037	Deposit	Mixed light brown soil & khaki green clay with occ. burnt stone. Up to 30cm thick. 1.1m wide (E-W). Underlies 7035 . Overlies natural yellow Lias clay	Buried Medieval cultivation soil. Recorded in the N facing section of Area 7 (DWG 108). C11-13th
735	Deposit	Loose dark greenish-grey clay with mod. amounts of charcoal flecks, occ. pottery, iron stone & bone. c.5cm thick. 74cm wide (E-W). Underlies 716 . Overlies 736 . ?Same as 714, 716	Base of Deposit 716 , possibly a remnant of 713 below 716 .
716	Deposit	Firm greenish-grey clay with freq. pottery, bone & charcoal flecks. Up to c.25cm thick. >3m wide (E-W). Cut by 719 to the E. Overlies 721, 733, 735 . Fills lynchett cut 744 Same as 714, 735	Medieval plough soil. Finds within 716 appear to be earlier than 714 - an earlier phase of 714 .
714	Deposit	Firm greenish-grey humic clay with freq. pottery, bone, mod. amounts of small angular stones, ironstone, occ. slag, Fe & burnt stones. c.25cm thick. Extends throughout the N of Area 7. Underlies 702 . Overlies 729, 742 . Fills lynchett cut 744 . Same as 716, 735	Medieval plough soil.
7147	Layer	Moderately compact light green silty clay, occ. charcoal. No finds. Cut by 7136 . Above 703	Sub-soil layer.
791	Layer	Light green layer recorded in the S half of the E quarter of Area 7 - cleaning plan (DWG 86). Between the N facing section & 786, 703 .	Buried cultivated soil.
7191	Deposit	Stiff slightly greenish yellow clay with streaks of orange. 2 x Flint flakes were recovered from the deposit as well as 1 x slag lump from the base above 7012 . Up to 3cm thick. Extent unknown. Underlies 772 . Overlies 7192 & 7012	?Thin colluvium deposit.

Soil layers, cont.

Context	Type	Description	Interpretation
7095	Layer	Moderately compact light greenish-grey silty clay up to 5cm thick. Freq. charcoal flecks, occ. small stones (<3cm). Covers entire width of Area 7S, W of ditch 7091 & E of gully 7092 . Below 772 , 7089 , 7094 . Above natural 703 . Merges with 7044	Thin buried sub-soil layer. Poss. a transition layer between 772 & natural.
7044	Fill	Moderately compact buff-brown sandy clay with a hint of green. Contained mod. amounts of charcoal flecks, small iron stones, bone & flint. No pot. Up to 5cm thick. 80cm E-W. 160cm N-S, truncated by the machine & survives in a small wedge against lynchett cut 7045 . Underlies 716 . Cut by 7089 . Fill of 7045 . ?Same as 714 , 716	Base of Deposit 716/714 against lynchett 7045 to the E of gully 739 .
729	Layer	Firm mixed yellow & green-grey clay with occ. charcoal flecks & ironstone. Below Layer 714 . ?Cut by 730 . Above Natural 703 . Same as 715 , 729 .	Thin transition layer between medieval deposit 714 & natural 703 . Stake holes 730 were revealed after a hard clean over 729 .
727	Layer	Firm pale greenish-grey-yellow clay with dark brown loamy inclusions. Up to 9cm thick, in the central-southern area of Area 7 N. Underlies 704 . Cut by 725 . Overlies 713 . Same as 715 , 729 .	Ground surface above the natural clay.
715	Layer	Stiff greenish-yellow clay. Underlies 714 , 743 , 752 , 758 . Overlies Natural 703 . Same as 727 & 729 .	A thin transitional layer below the Medieval spreads & above the natural clay.
6029	Fill	Firm mid - grey - brown silty clay. No finds. Up to 28cm thick. c.50cm E-W. 77cm N-S. Underlies 603 . Cut by 640 , 696 & 6023 . Fill of cut 6030	Fill of gully Cut 6030 . Sealed by 603 & cut by medieval features. ?Saxon
635	Geology	Compact yellow-orange sandy clay with patches of grey. Underlies 603 . ?Overlies 604 . Similar or same as 611 , 634 , & probably 604 upper. Does not appear to be quite as clean as 604 .	Natural deposit but with a possibility that it has been re-deposited from the excavation of large Medieval pits
639	Geology	Compact yellow-orange sandy clay with patches of grey. Below 603 . Above ? 604 . Same or similar to 611 , 634 , 635 , 626 & possibly 604 upper.	Natural deposit of sandy clay
611	Geology	Compact yellow - orange sandy clay with patches of grey. Underlies 603 . Overlies ? 604 . Same as 634 , 635 , probably 604 upper.	Natural deposit of sandy clay

Table 1. Soil layers, all phases.

Phase I/II

Context	Type	Description	Interpretation
744	Cut	Linear (N-S). Fairly sharp break of top slope; shallow sloping sides (c.20 degree). No discernable base. Below 714, 716 .	Strip lynchett or terrace..
7044	Fill	Moderately compact buff-brown sandy clay with a hint of green. Contained mod. amounts of charcoal flecks, small iron stones, bone & flint. No pot. Up to 5cm thick. survives in a small wedge against lynchett cut 7045.	Deposit against lynchett 7045
7045	Cut	Linear.(N-S). Up to 8cm deep. Up to 160cm long (N-S). Gentle break of top slope; gently sloping sides; flat base. Below 7044 .	agricultural lynchett, truncated by Machine. Probably the same as 744
6029	Fill	Firm mid - grey - brown silty clay. No finds. Up to 28cm thick. c.50cm E-W. 77cm N-S. Underlies 603.	Fill of Cut 6030 .
6030	Cut	Linear cut. Aligned N-S. Up to 28cm thick. c.50cm E-W. 77cm N-S. Flattish base. Filled by 6029 . Cut by 640, 696, 6023 & 6025 . Cut into 604	agricultural lynchett

Table 2. Phase I/II features and deposits associated with agriculture.

Phase III

Context	Type	Description	Interpretation
7098	Fill	Fairly loose dark grey silty clay with yellow - orange mottles; occasional charcoal. No finds. c.10cm thick. 19cm E-W. Radius (N-S) = c.10cm. Below Deposit 772 . Cut by 7091 . Fill of 7114 ; <1cm SE of Cut 7113	Fill of post hole 7114 . 7098
7114	Cut	Circular. 10cm deep x 19cm E-W x 19cm N-S. Vertical sides; flat base with a depressed dimple in the middle. Below 772 ; filled by 7098 ; cut by 7091 . Cuts 703 Half sectioned against the section of the sondage for Cut 7091 .	post hole. 7113 & 7114 appear to have the same dimensions, shapes in plan & they are <1cm apart
7097	Fill	Fairly loose dark grey silty clay with orange - yellow mottles c.9cm thick x 16cm E-W x 19cm N-S 1 x ?BBW, 1 x bone & rare charcoal.. Below 772 . East face probably Cut by 7091 . Fill of 7013	Fill of post hole 7113 .
7113	Cut	Circular; 9cm deep x 16cm E-W x 19cm N-S. Vertical sides. Flat base with a depressed dimple in the middle. Below 772 / Filled by 7079 . Cut by 7091 . Cuts 703	post hole
742	Fill	Fairly compact grey to orange-brown clay mixed with clay-silt up to 10cm thick. Rare R/B pottery, occasional charcoal flecks & moderate iron stone.. Below 714 . fills 743	Fill of slot 743
743	Cut	Linear cut (E-W) with slight kink in the middle. Up to 10cm deep x 24cm wide x c.3.5m long. Sharp break of slope at top and base (nearly 90 degrees), near vertical sides. Flat base. Slopes down towards the W. Filled by 742 . Cuts 703	Possible beam slot..

Table 3. Features with Phase II finds allocated to Phase III.

GBT 05

Context	Type	Description	Interpretation
7131	Fill	Moderately compacted brown silt clay with occasional orange mottling, occasional small stones & bone frags. Cut by 7119 and 7078. Fill of Cut 7132	Fill of ditch 7132.
7132	Cut	Linear (N-S). 14cm deep x 46cm wide. Steep sides. Gently concave base. Filled by 7131. Cut into 7012	Steep sided gully (N-S).
733	Fill	Moderate to loose darkish grey-brown silty clay, moderate amounts of small charcoal lumps & flecks, ironstone, R-B pottery bone & small patches of lighter brown clay. Up to 4cm thick. Extends for the full length of ditch Cut 739, but also appears to spread over the sides of the cut. Below 716. Above 737	Top fill of ditch 739.
737	Fill	Fairly loose slightly greenish-grey silty clay, moderate amounts of charcoal flecks, small patches of light brown clay & 1 x FLINT flake. Up to 15cm thick. Deposited with a 'U'-shaped profile within ditch 739. Below fill 733. Above fill 738	Fill of ditch 739. ?re-cut
738	Fill	Compact greyish orange-brown silty clay with moderate amounts of iron stone. No finds. Up to 6cm thick. Below fill 737.	fill of ditch 739.
739	Cut	Linear (N-S). Up to 24cm deep x 50cm wide with a truncated 'V' profile. Steep sloping sides. Flat base. Below fill 738. Cut by 741. Cuts 7068. ? Deposit 7040 Filled by 738, 737 & 733	ditch (353°/173°)
678	Fill	Stiff grey-green silty clay. No finds. Cut by several later stake holes. 8cm deep. From Cut by 677. Fill of Cut 6008	Fill of 6008.
6008	Cut	Linear (N-S). c.8cm deep. From 20cm wide (E-W) at the S to 36cm wide at the N. Filled by 678. ?Cut by 677. Cut into natural clay later stake holes in the top, cut through an area littered with stake holes	Shallow linear gully (355°/175°).
742	Fill	Fairly compact grey to orange-brown clay mixed with clay-silt up to 10cm thick. Rare R/B pottery, occasional charcoal flecks & moderate iron stone.. Below 714. fills 743	Fill of slot 743
743	Cut	Linear (E-W) with slight kink in the middle. Up to 10cm deep x 24cm wide x c.3.5m long. near vertical sides. Flat base. Slopes down towards the W. Filled by 742.	Possible beam slot (274°/94°)
793	Fill	Stiff mottled yellow & grey/ green friable clay with occasional pottery, medium sized sub-angular stones, bone & frequent charcoal. Below t & t. Fills 7011	Fill of beam slot 7011. Excavated in 2 x sondages. 793 S & 793 N
7011	Cut	Linear (N-S). 7cm deep x 25-32cm E-W x c.3m long from the South facing section of Area 7. Near vertical sides. Flat base. Filled by 793. Cuts 7175, 703	beam slot
7179	Fill	Stiff pale grey-brown silty clay with 1 x small lump of fired clay. No pottery. Cut by 7164. Fill of Cut 7180. Excavated in two sondages. Very pale fill which was only visible after a really hard clean of surrounding natural 7012	Fill of beam slot 7180.
7180	Cut	Purposeful & precise Linear (ENE-WSW) cut. 9cm deep at the E end; 11cm deep at the W end. 29cm wide (N-S) at the E end. 35cm N-S at the W end. S side near vertical, N side fairly gentle slope at the top of the ledge, a flat ledge, then steep to the base. Gently rounded base. Filled by 7179.	beam slot

Table 4. Phase III ditches, gullies and slots

curving gully a

Context	Type	Description	Interpretation
139	cut and fill	Linear spread of silty grey clay in very shallow cut, c.0.01-0.02m deep x 0.20m wide, flat base, follows S edge of 138 , Below 110	Probably part of S1 , possibly a beam slot associated with 138
110	fill	Spread of pale, greyish-green, soft, sandy clay with straight edge to S. Fill of 138 , above 139 and 140	Fill of 138 , similar to 109 and 107 , part of S1 .
138	cut	Shallow (up to 0.05m deep) square edged feature with straight edge on S side, upper part removed by machine, Flat base with small stakeholes. Probably cut by 139/140 Cut by 127 . Filled by 110	Probably a structural feature/ ?beam slot, part of S1
7165	fill	Crumbly mix of grey & orange clay, rare charcoal inclusions, softer than 7151 . Below 7151 .	Same as 143 . Part of S1
143	fill	greyish orange clay but firmer than 141 with more clay, more orange, softer pockets. Below 141 .	Fill of cut 144 . Same as 7165 .
144	cut	Linear. S side almost vertical, flattish base with depressions. Filled by 143 , cut into natural.	curving gully, part of S1
141	fill	Silty grey clay with abundant orange mottles, rare charcoal. Cut by 140 , within base of 138 , below 110	fill of cut 142 ; part of S1 same as 7151
7151	fill	Stiff pale grey clay, rare small charcoal flecks & orange mottles, sandstones (up to 5cm). Below t & t., dimensions unknown. Cut by 7152 . Above Fill 7165	fill of cut 142 ; same as 141 . Part of S1
7145	Fill	Moderately compacted light grey silty clay, occasional charcoal. Cut by 7144 & 144 .	Fill of 7146 , part of S1 .
7146	Cut	Linear. Up to 7cm thick x 25cm wide - continuing under the baulk of Area 7S. Flat base pocked with stake holes. Filled by 7145 . Cut by 7144 & 144 . ?Cuts through natural clay	curving gully; same as 142 , part of S1 .
142	cut	Linear, steep sides with scalloped edges, filled by 141 , cuts 143 and natural.	curving gully; same as 7146 , part of S1
140	cut and fill	Linear feature, c.NE-SW c.60degree sides but width and depth not known, filled by green, sandy clay similar to 206, following N side of cut 138 and parallel with 139 , Cutting 141 in base of 138 , Below 110	uncertain
767	Fill	Moderate to loosely compacted grey silty clay up to 10cm thick, moderate amounts of charcoal flecks. No finds. Cut by 7144 , below t & t, fill of 7133	Fill of gully 7133
7133	Cut	Linear Up to 10cm deep x 90cm wide. Exposed in a c.2m long sondage continuing under the Southern baulk of Area 7S. Gently sloping sides, concave base. Filled by 767 . Cut by 7144 . Above fill 768	Gully with terminus. Shallow 'U' profile suggests that it has been truncated
7143	Fill	Fairly compact lime green silty clay up to 6cm thick with occasional charcoal flecks & 1 x Flint blade.. Below t & t. Fill of Cut 7144	Fill of pit Cut 7144 .
7144	Cut	'D' shape feature in plan against the Western baulk of Area 7S. Rounded corners. Up to 6cm deep. 45cm (E-W) x 60cm (N-S). Moderate slope on side. Flattish base. Filled by 7143 . Cuts 767 & 7145	Cut of either a pit or a ditch terminus - obscured by the baulk. The proximity to Cut 7133 might suggest that it is a ditch terminus, possibly a re-cut of 7133
7148	Fill	Soft, loose grey silty clay. No significant inclusions or finds. Below 7123 & 7128 , above 7151 , 7152 & Natural Red clay	Fill of Cut 7152
7152	Cut	Linear. 5-8cm deep x c.20cm wide (N-S). Flat base with evidence of post/ stake holes on the sides. Filled by 7148 , cuts 7151 & natural.	part of curving gully a, Structure 1

Table 5. Contexts associated with curving gully a, Structure 1.

curving gully b

Context	Type	Description	Interpretation
111	fill	Greyish sandy clay with charcoal and small frags of burnt stone. Fill of ditch cut 127 , Cut by 145 , Below 112	fill of gully 7128/127 . Part of S1
7123	Fill	Pale grey fill c.10cm thick. Fill of Cut 7128	Same as 111 . Part of S1
127	cut	Linear cut, ca.0.8m wide, curving base with associated features, deeper to W. Cut by 112/145 , filled by 111	gully terminal with large posthole and stake-holes. Part of S1
7128	Cut	Linear, c.10cm deep. Steep sides, concave base. The N side is defined by a ridge of natural red clay. Appears to be narrowing towards the W. Deeper, bowl-shaped depression at the E end, under baulk. Filled by 7123 . Cuts 7126 , above 7148	Continuation of cut 127 . Part of S1
136	fill	greyish clay with few charcoal flecks, similar to and below 111 but slightly lighter and harder.	Fill of cut 137 , associated with cut 127
137	cut	Irregular, squared with rounded bulb in N side, vertical sides Contains 136	Uncertain, ?posthole associated with 127

Table 6. Contexts associated with curving gully **b**, Structure **1**.

curving gully c

Context	Type	Description	Interpretation
7140	Fill	Firm pale green - grey clay, some charcoal flecks..	Fill of Cut 7155 ; same as 7166 .
7166	?Fill	Unexcavated. Moderately compact pale grey clay. Cut by 7078 & 7126 . ?Overlies natural	Same as 7140
7155	Cut	Linear. c.30-40cm deep x 30cm wide. c.45 degree angle of slope. Flat base with some depressions. Filled by 7140 . Cut by 7157 . Cuts through 7012	curving gully, part of Structure 1
7122	Fill	As exposed = 50cm N-S x 60cm E-W. Below 7085 . Cut by 7128 . Fill of Cut 7126	Fill of Cut 7126 . Extension of Evaluation Trench 111/ 112
7126	Cut	Sub-oval. As exposed = 50cm N-S x 60cm E-W. Filled by 7122 . Cut by 7128	Cut containing 111/ 112

Table 7. Contexts associated with curving gully **c**, Structure **1**.

drain (7112/7181)

Context	Type	Description	Interpretation
7162	Fill	Moderately compact dull grey green silty clay with occasional bone, small-medium sized sub-angular stones, 2 x Flint flakes. Cut by 7182 & 7183 . Fill of Cut 7181 . Same as 733 .	Fill of ditch 7181
773	Fill	Firm green grey silty clay. Contained occasional small flat stones (up to 9 x 11 x 2cm), animal bone, 1 x BBW, 1 x FLINT. Fill becomes progressively greener towards the base & the sides, but it all appear to be the same fill. 773 appears to be greener than 7088 .. Below t & t. Fill of Cut 7112	Fill of ditch Cut 7112 .
773 N	Fill	Same as 773 . Firm green grey silty clay. Observed in a slot across 7121 .	Fill of ditch Cut 7112 . Appears to have silted up before 7088 N .

drain (7112/7181) cont.

Context	Type	Description	Interpretation
7181	Cut	Linear (ESE-WNW). 18cm deep x 52cm wide (N-S). Steep sides, flat base with poss. evidence of stake holes. Filled by 7162 . Cut by 789, 7028, 7158, 7182, 7183 . Same as Cut 7112 . Cuts 703, 7185 & ?7090	ditch, possibly for a wattle fence. May be recut of 7185 .
7112	Cut	Linear (roughly SE-NW). 15cm deep x 62cm wide. Very steep sides. Flattish base. Same as Cut 7181 . Cuts 7012	ditch (277°)
7184	Fill	Firm mottled greasy grey silty clay & orange natural. Contained small-medium sub-angular stones, 1 x large flat lias stone (19 x 14 x 7cm) - possible post pad? Cut by 7181 . Fill of cut 7185	Fill of trench 7185
7185	Cut	Linear (E-W). 7cm deep x 16cm wide (N-S) at the top of the cut, 8cm wide at the base. Steep sides. Flat base. Filled by 7184 . Cut by 7181 & post hole 7186	Cut for a thin trench below the base of Cut 7181 .
7186	Cut & Fill	Firm greasy grey silty clay, no significant finds or inclusions. In sub-circular cut. c.10cm deep x 8cm E-W x c.10cm N-S. Steep N facing slope, shallow S facing side, pointed base. Cut by 7181 . Below fill 7162 , above cut 7185	A stake hole that has been driven into the N face of Cut 7185 at a c.45 degree angle.
7182	Cut & Fill	Firm, greasy grey silty clay, no significant finds or inclusions. In circular cut. 14cm deep x c.6cm diameter. Vertical sides. Rounded base. Below t & t. Cuts Fill 7162 / Cut 7181	Stake hole or small post hole in the base of Cut 7181 .
7183	Cut & Fill	Firm, greasy grey silty clay, no significant finds or inclusions. In circular cut 24cm deep x c.7cm diameter. Vertical sides. Flat base. Below 7162 . Cuts 7181	small post hole,

Table 8. Contexts associated with drain (7112/7181).

pits

Context	Type	Description	Interpretation
7087	Fill	Firm dark green grey silty clay, moderate amounts of charcoal flecking, occasional bone.	Fill of pit 7099 .
7099	Cut	Circular. 9cm deep x 66cm N-S. 68cm E-W.. Bowled base. Filled by 7087 . Cut into 7012	pit
7051	Deposit	Firm dark greenish grey silty clay, frequent charcoal flecks & slag, below 770 . Overlies Natural 7012	Deposition within a natural hollow.
7053	Deposit	barely perceptible scoop c.4cm thick. c.30cm diameter. Natural cut = - c.40cm diameter ?slight possibility of a post hole in the centre.	A natural hollow. Probably not an archaeological feature,
7170	Fill	Loosely compacted brown-grey & black silty sandy clay. Abundant inclusions of charcoal lumps & flecks. No finds. Fills cut 7169 , spreads to the east.	Fill of pit 7169 .
7169	Cut	Rounded. Up to 8cm deep x c.1m diameter. Steep sides. Flat base. Filled by 7170 . Cut by 7171 .	wide hearth shallow pit.
689	Fill	Loose grey - black silt. Contained super abundant amounts of charcoal (c.70%). No finds. Up to 12cm thick. 25cm N-S. 15cm E-W as excavated. Underlies 628 . Overlies fill 690	Charcoal rich, upper fill, in small pit 691 . Sealed by C10-12th deposit 628 . Sample <3>.
690	Fill	Moderately compact green - grey silty clay. Contained frequent charcoal & occasional bone. Underlies Fill 689 . Fills 691	Primary fill of small pit 691 .
691	Cut	Sub-circular. 20cm deep x 65cm N-S, 40cm E-W as excavated. Almost vertical sided. Flat base. Filled by 690 . Cut into 604	hearth pit

Context	Type	Description	Interpretation
7139	Fill	Firm green grey silty clay with 1 x Fe lump. Below mixed grey sub-soil. Fill of cut 7154	Fill of ?pit Cut 7154
7154	Cut	Sub-oval shaped feature in plan. Aligned E-W. c.20cm deep x 35cm N-S x 52cm E-W. Near vertical sides. Flatish base. Filled by 7139 . Excavated against the N facing section of area 7S	pit

Table 9. Phase III pits

**Phase IV
ditch (7171)**

Context	Type	Description	Interpretation
7176	Fill	Compact grey-green silty clay. No finds. Only excavated the SE half of fill to investigate truncation. Same as 7168, 7172, 7174, 7178 . Fill of Cut 7175 . Cut by 7011 .	Silting up of gully 7175 .
7168	Fill	Compact grey-green silty clay. No finds. Same as 7172, 7174, 7176, 7178 . Fill of Cut 7167	Silting up of gully 7167 .
7172	Fill	Compact grey-green silty clay. Contained 1 x C12-14th pottery sherd, 2 x bone frags, 5 x fired clay frags. 15cm thick. Same as 7168, 7174, 7176, 7178 . Cut by 7169 . Fill of Cut 7171	The only portion of the gully fill with datable finds - C12-14 th , probably an intrusion.
7174	Fill	Compact grey-green silty clay. Contained 5 x bone frags, 1 x fired clay. Same as 7168, 7172, 7176, 7178 . Fill of Cut 7173	Silting up of gully 7173 .
7178	Fill	Compact grey-green silty clay. No finds. Same as 7168, 7172, 7174, 7176 . Fill of Cut 7177	Silting up of gully 7177 .
7175	Cut	Linear (NE – SW). Only excavated the SE half of fill to investigate truncation. Up to 35cm (SE – NW) x c1.2m (SW – NE). Same as 7167, 7171, 7173, 7177 . Filled by 7176 . Cuts beam slot 7011 .	shallow gully
7167	Cut	Linear (NE-SW). 15cm deep. Up to 72cm wide (SE-NW). Shallow sloping sides. Flatish base. Same as 7171, 7173, 7175, 7177 . Filled by 7168 . The portion of the gully furthest to the SW. The gully is not recorded W or S of Cut 7091	shallow gully
7171	Cut	Linear (NE-SW). 15cm deep x up to 60cm width survives before truncation by Cut 7169 to the S. Steep SE facing side. NW facing slope = c.45° angle below truncation. Irregular flat base. Same as 7167, 7171, 7173, 7175, 7177 . Filled by 7172 . Cut by 7169	shallow gully. Gully appears to be getting thicker as it approaches the SW. (43°/223°)
7173	Cut	Linear (NE-SW). 12cm deep x 67cm wide. Shallow sloping sides. Flatish base. Same as 7167, 7171, 7175, 7177 . Filled by 7174	shallow gully
7177	Cut	Linear (NE-SW). 9cm deep x 57cm wide. Gently sloping sides. Gently rounded base. Same as 7167, 7171, 7173, 7175 . Filled by 7178 . Cuts 703 . The gully appears to be running towards the SW as it becomes progressively deeper - from 9cm - 15cm in thickness	shallow gully

Table 10. Contexts associated with ditch (7171).

Ditch (7187)

Context	Type	Description	Interpretation
7188	Fill	Stiff slightly orange, brown clay, no significant finds or inclusions. 22cm deep x 102cm wide. Below 141. Fill of Cut 7187	Primary fill of Cut 7178.
7187	Cut	Linear (SW-NE). 22cm deep x 102cm wide. Very steep S side, roughly 45 degree slope on the N side. Flatish base. Frequent stake holes around the S edge. Filled by 7188. Cuts 7012	Ditch.

Table 11. Contexts associated with ditch (7187).

Pit (7149).

Context	Type	Description	Interpretation
7129	Fill	Firm light green friable silty clay with moderate amounts of charcoal & bone. 18cm thick. Cut by 7130, 7191. Fill of Cut 7149	Fill of Cut 7149.
7149	Cut	Rectangular plan with rounded corners. Aligned c.E-W. c.18cm deep. Original depth probably c.30cm as revealed by Cut 7057. Half Section = 112cm (N-S) x 81cm length (E-W) up to truncation by 7130. c.45 degree angle of break of slope - top. Gradual slope of sides. Rounded break of slope - base. Flatish base. Filled by 7129. Cut to the E by ditch 7130 & by post holes 7057, 7055, 7063, 7065 & 7067. Cuts 703, 733 E, 7112	pit.

Table 12. Pit (7149).

Phase V

Ditch (7121)

Context	Type	Description	Interpretation
7142	Fill	Moderate grey brown silty clay with occasional charcoal, C10-12th pottery & bone. Cut by 7157. Fill of Cut 7156	Fill of Cut 7156.
7156	Cut	Linear. Aligned c.NW-SE. 20-30cm deep. Up to 60cm wide (N-S). c.45 degree angle of slope. Relatively flat & level base. Filled by 7142. Cut by 7157. Above 7012	the most northerly gully in a series of inter - cutting / re-cut gullies.
7118	Fill	Compact mixed greenish grey silty clay & re-deposited orange clay, occasional charcoal flecks & lumps, small iron stones, isolated small abraded pottery sherds & animal bones. Up to 15cm thick at the E end., fill of 7119	Primary fill of Cut 7119
7119	Cut	Linear (E-W), up to 20cm deep x 50cm wide. c.45 degree angle of slope, flat base. Filled by 7118. cut by 7078, above 703 & 133	E-W ditch.. Re-cut of 7132
7088	Fill	Firm light green grey silty clay up to 12cm thick. c.38cm wide. Below t & t & post hole 7086. Fill of Cut 7092	Fill of ditch 7092. May be the same feature as 133 from evaluation
133	fill	Fill of narrow slot 134, grey clay with a few charcoal flecks, below 111N	Fill of slot 134
7088 N	Fill	Same as 7088. Firm light green grey silty clay. Contained occasional C10-12th pottery. Underlies 7120. Overlies 7121	Fill of ditch Cut 7092.
7092	Cut	Linear cut. Alignment curves from running NW-SE to running N-S at the S end. Steep sides. Filled by 7088. Cut by post hole 7086. Above 7012	ditch. cut by several stake holes in sondage. 4cm SW of post hole 788

Ditch (7121) cont.

Context	Type	Description	Interpretation
134	cut	Curving linear cut, U shaped profile, c. 0.23m wide x 0.03m deep but deepening to 0.12m at W, north bank may be redeposited natural. Cuts 106 and yellow clay 135 , pockmarked with small ?stake holes? on N side/bank	Drainage gully or slot
7121	Cut	Linear (roughly NW-SE) before it forks. Forks become ditch Cuts 7112 & 7092 . 10cm deep x up to 80cm wide. Steep sides. Flatish base. Filled by 773 N & 7088 N . Cuts 7012	ditch..
774	Cut & Fill	Firm grey - brown silty clay with occasional small stones. No finds. 12cm deep x 30cm diameter. Sub-circular cut, steep sides, rounded base. Cut into Natural 7012	Post hole
7111	Fill	Fairly compact light grey-green silty clay with moderate amounts of charcoal flecks & lumps, sub-angular limestones (<15cm) - some burnt, bone & pottery. Below fill 765.	fill of 7078
7078	Cut	Linear. Up to 15cm deep x up c.150cm wide at the W end. Gently sloping N side, steeper S side. Concave base. Filled by 7111. Cut by 7089.	gully which drains to the W

Table 13. Contexts associated with Ditch (7121)

well (7071)

7072	Fill	Compact mid greyish green clay silt with pottery, large flat stones, bone & flecks of charcoal. Up to 40cm thick. Cut by 7046 . ?Below 772 . Above 7073 , 7100 , 7101 , 7102	Upper fill of Pit 7071 .
7100	Fill	Compact light yellowish green silt, no significant inclusions. Up to 47cm thick. ?Same as 7102 . Below 7072 . Above 7073 & 7103	Fill of 7071 .
7101	Fill	Compact mid yellow brown clayey silt, no significant finds or inclusions. Up to 50cm thick. Slumping fill on the top of cut, running along the E facing side of pit 7071 . Below 7072 . Above 7102 & 7104	Fill of pit 7071 poss. formed by water running down the side of the pit from gully 7108 or by slumping
7102	Fill	Compact dark greenish grey clayey silt, no significant finds or inclusions. Up to 35cm thick. ?Same as 7100 . Below 7101 & 7072 , 7073 . E of 7101 . Above 7104	Fill of pit 7071 . Possibly formed by a slumping
7103	Fill	Compact mid yellowish brown clayey silt, rare small grits against the W facing section of pit 7071 . No finds. 35cm thick. ?Same as & opposite 7104 . Below Fills 7073 & 7100 . Above 7105	A slumping fill of pit 7071 .
7104	Fill	Compact mid yellowish brown clayey silt, rare small grits, against the E facing side of pit 7071 . No finds. 35cm thick. ?Same as 7103 . Below 7101 & 7102 . Above 7105	Fill of pit 7071
7073	Fill	Loose mid dark greyish-green clayey silt with pottery sherds & bone. 60cm thick. Below 7072 . Above 7100 , 7102 & 7105	Central fill of pit 7107
7105	Fill	Friable mid yellowish brown clayey silt with pottery, bone & occasional small grits. 14cm thick, covers the whole width of the cut E-W Below 7073 . Above 7106	A lower fill of pit 7071 .
7106	Fill	Friable mid yellowish brown silty clay with pottery. 7cm thick. Covers the whole width of the cut E-W. Below 7105 . Above 7107	Fill of pit 7071 .

well (7071) cont.

7107	Fill	Friable dark brown - yellow clayey silt with pottery & bone. 24cm thick. Below 7106 . Fill of 7071	Primary fill of pit 7071
7071	Cut	Sub - square plan, rounded corners. 1.56m deep x 90cm wide (E-W) at the top of the cut, 57cm wide at the base of the cut x 86cm (N-S). Excavated against the N facing section. Slightly irregular, near vertical sides, flat base. Filled by 7072, 7073, 7100, 7101, 7102, 7103, 7104, 7105, 7106, 7107 . Cut by 7046 & 7108 . Cut into Natural	well
7125	Fill	Contained occasional charcoal (?C14), 1 x bone, 1 x slag. No pottery. 25cm thick. 1.2m wide (E-W). Fill of Cut 7124	Fill of pit Cut 7124
7124	Cut	?Sub-circular feature in plan. 25cm deep. 1.2m wide (E-W). Gradual break of slope - top. Gradually sloping sides. Rounded break of slope - base. Fairly flat base. Filled by 7125.	Cut for a shallow pit, associated with shaft 7071
7047	Fill	Friable mid greyish green clayey silt, occasional pottery, bone, angular stones. Below t & t.	Fill of gully 7046 .
7049	Pottery	Pottery found in gully cut 7046 . Reduced fabric with a grit temper - red - black colouration on the outer surface, red inner surface, with frequent small voids. C10-11th. Within fill 7047	Pottery found in gully 7046
7046	Cut	Irregularly wedge shaped plan. 9cm deep x 55cm average width (E-W). c.2m long (N-S). Irregular concave sides. Uneven concave base. Filled by 7047 . Below t & t. Cuts fill 7072 . Between 7124 and 7071.	the butt end of a gully possibly formed by water, hence the irregularities.
7109	Fill	Compact mid greyish green clay silt up to 14cm thick. Cut by 7046, below mixed green ?772. Fills 7108. Similar soil description as 7072?	Fill of gully 7108.
7108	Cut	?Linear (N-S) up to 14cm deep x c.55cm wide. One sided cut. Excavated against the N facing section. Near vertical side, flat base. Filled by 7109. ?Cuts the E facing top of Cut 7071	gully. Directly W of Cut 7071.

Table 14. Contexts associated with well (7071) and surrounding features.

cess pit 683

680 Sondage B	Fill	Moderately compact grey silty clay with super abundant quantities of charcoal, occ. bone. 8-9cm thick. Underlies 6021 . Overlies Fill 693/674	A thick lens of charcoal deposited in pit 653 in sondage B.
674 Sondage B	Fill	Compact, grey silty clay with frequent charcoal, plus pot, stone lamp (SF-9), bone, slag. 8-10cm thick. Underlies 680 . fills cut 653 . Same as 693 (sondage B).	fill of cess pit 653 .
693 Sondage B	Fill	Compact grey clay with frequent charcoal. Finds not separated from 674 . 5cm thick. Underlies fill 680 . Fill of Cut 653 . Same as 674 (sondage B).	fill of pit 653 .
688 Sondage D	Fill	Compact yellow clay. Underlies fill 642 D . Fill of cut 653 . Same as 674 (sondage B) & 6016 / 6019 (sondage C).	fill of pit 653
653 Cess Pit Sondage B	Cut	Earlier pit cut by cess pit 683 seen only in Sondage B. Plan and section impossible to reconstruct.	cess pit

cess pit 683

642 Cess Pit Sondage A	Fill	Compact mottled green-grey - yellow silty loam with pottery, bone & charcoal, ash. 40cm thick. Underlies 613. Overlies fill 649. Fill of cut 644. Same as 6014 (sondage C) & 642D (sondage D).	Upper fill of cess pit 644/683.
642 B Cess Pit Sondage B	Fill	Compact mottled green-grey - yellow silty loam. Contained 1 x RB pottery sherd, moderate amounts of bone. Up to 66cm thick. 90cm wide (N-S). Cut by 692B. Overlies 674 & 6020. Fill of cut 683. Same as 642, 642D, 6014.	Upper fill of cess pit Cut 683. Cut by Cut 692B.
642 B Sondage B	Fill	Compact yellow clay. No finds given this number. Changed to 6021 when referring to sondage B; 6016 when referring to sondage C; 688 when referring to sondage D. Underlies 642.	Lower portion of cess pit fill 642B
6014 Sondage C	Fill	Moderately compact yellow-green silty clay. Very organic. Up to 45cm thick. Cut by 692C. Fill 6015 Same as 642.	upper fill of cess pit 644/683.
6020 Sondage B	Fill	Fairly loose green-grey silty clay with moderate amounts of charcoal inclusions. No finds. 20cm thick. Underlies fill 642 B . Cut by 692 B . Overlies fills 674 & 6021 . Fill of cut 683 . Same as 6015 (sondage C)	Fill of cess pit cut 683 . 6020 appears to fill both cut 683 & 653 .
6015 Sondage C	Fill	Fairly loose green-grey silty clay with bone, slag & charcoal. 20cm thick. Underlies fill 6014 . Overlies fill 6013 and paved stone layer 6013 . Fill of cut 6018 . Same as 6020 (sondage B).	Rubbish dumped into pit 683.
6016 Sondage C	Fill	Compact grey-green clayey silt, very organic, small amounts of charcoal. No finds. Thickness not fully excavated. Underlies 6013 . Overlies cuts 6018 & 6017 Same as 6019 (sondage C) & 6021 (sondage B).	fill of cut 683 .
6019 Cess Pit Sondage C	Fill	Compact yellow clay with occ. pot & bone. c.5cm thick. Underlies fills 6013 , 6015 . Overlies cut 6017 Same as 674 (sondage B) & 688 (sondage D) & ? the same as 7016 (also in sondage C). Description of fill appears different enough from 6016/ 6019 to probably rule out them being exactly the same fill	fill of cut 6017
6021 Sondage B	Fill	Fairly compact green - grey clayey silt with pottery, bone, horn cores, charcoal. 60cm thick. Underlies fill 6020 . Overlies fill 680 . Same as 6016 (sondage C). Equivalent to 642 B Lower Fill in Sondage B, but definitely a different context.	Base of layer 642 in cess pit 683 .
6013 Sondage C	stones	Fairly compact green-grey silty clay with large limestone blocks (c.90%) with some evidence of wear. No finds. average size of block = 10 x 15 x 30cm. Underlies Fill 6015 . Overlies Fills 6016 & 6019 . Fill of cut 6018 Same as 649 (sondage A).	A layer of paved stones lining the sides of cess pit 6018
649 Sondage A	Fill	Fairly compact green-grey silty clay with large limestone blocks (c.90%) with some evidence of wear. average size of block = 10 x 15 x 30cm. Underlies fill 642 . Fill of cut 644 . Same as 6013 (sondage C).	Fill of pit 644/683 (sondage A). Paved area around cess pit.
612	Deposit	Fairly compact green-grey silty clay with large limestone blocks (c.90%) with some evidence of wear. No finds. average size of block = 10 x 15 x 30cm. Extends over an area c.50-60cm wide (N-S) x 4m (NE-SW). Underlies 613 . Overlies 604 . ?Same as 649 (sondage A) & 6013 (sondage C).	paving for the cess -pit 683 .

cess pit 683 cont.

683 Sondage B	Cut	Circular. Up to 2.5m wide x 1.8m deep with central shaft to 60cm deep x 70cm (E-W). Upper part has sloping sides with central shaft having nr. vertical sides, slightly undercut. Probably a flat base, but due to flooding, not easily observed. Filled by (from the base) 693/674, 680, 6021, 6020, 642B, 615B . Overlies 653 . Cuts 604 . Same as 6018 (sondage C).	cess pit excavated in sondages A to D.
644 Sondage A	Cut	Slightly oval. c.80cm deep x c.2.6m (N-S) x c.1.4m (E-W). c.60 degree angle of slope. Base not exposed. Filled by 649, 642 . Cuts 604 . Same as 683 (sondage B) & 6017 (sondage C).	large cess pit.
6017 Sondage C	Cut	Oval. 70cm deep x 60cm (E-W) x c.2.5cm (N-S). Only the N facing side exposed. Shallow sloping sides. No base. Filled by 6019 . Cuts 604 . Same as 644 (sondage A), 683 (sondage B) & ? 6018 .	cess pit.
6018 Sondage C	Cut	Circular. Not bottomed. 15cm (E-W) x 70cm (N-S). Vertical sides. Underlies primary Fill 6016. ?cuts 6017 & fill 6019 . Same as Cut 683 (sondage B) & ? 7018 .	Cut for the base of the cess pit in sondage C. detail. Part of pit 683
643 Sondage D	Cut	Shallow scoop to the west of and connecting with pit 683 , sloping base, U-shaped profile, squared-off western edge. Prolific finds of flat stones, probably the remains of paving.	appears to have provided access to the cess pit (cut 644). Possibly formed naturally by erosion & trample?
615 Sondage C	Fill	Loose dark grey-green silty loam with occ. pottery, bone & charcoal. Up to 40cm thick. Underlies 603. Fill of Cut 692C . Same context as 615B, 615C .	Fill of cess pit 692 . cess pit continued to be used into the Norman period.
692 B Cess Pit Sondage B	Cut	Round/ oval. Up to 90cm deep x c.1.5m (N-S). Fairly steep sides. Concave base. Filled by 615B. Cuts 642B & 6020 . Same as 692C .	pit cut into larger pit 683

Table 15. Contexts associated with cess pit **683**

778	Fill	Stiff dark greenish grey slightly silty clay with occ. charcoal flecks, pottery sherds, animal bones & skull fragments. Cut by 777 . Fill of pit 779	Fill of pit 779 .
779	Cut	Sub-circular plan. 25cm deep x 90cm (E-W) x 110cm (N-S). Steep, near vertical sides, flattish base slightly deeper to the S. Filled by 778 . Cut by post pipe 777 . Cuts 703	pit.
7026	Fill	Firm green grey silty clay, lenses of orange, occ. charcoal flecks, bone, pottery. Below 7018 . Above 7041	Fill of pit Cut 7041 .
7041	Cut	Irregular sub-circular cut in plan - S side flat & square with rounded corners - more rounded N side. c.30cm thick x 76cm E-W x 85cm N-S. Steep sides. Bowl shaped base of cut. Filled by 7026 . Cut by 7018 . Above 7012	pit.
7080	Fill	Firm greenish grey mixed silty clay with orange lenses, rare pottery sherds, occasional bone, slag. Cut by 7079 . Fill of pit 7081	Fill of pit 7081 .
7081	Cut	Sub-oval plan. Aligned NW-SE. c.30c thick x c.80cm N-S. E-W extent unknown (cut by 7018). Steep sides. Irregular base, but at its lowest point there is a possible flat area for a post. Filled by 7080 . Cut by 7018 . Cuts 7012	possible post pit.

7192	Fill	Soft to firm dark grey clay (orange when trowelled). Similar to Natural 7012 , but with patches of grey when first revealed. Contained 1 pottery sherd, 1 x FLINT flake, occasional fired clay, 1 x small bone. Below 7191 . Fills 7193	Fill of pit 7193 .
7193	Cut	Elliptical plan, aligned E-W. Up to 30cm deep x 91cm (N-S). Steep sides, irregular on the S side. Rounded base. Filled by 7192 . Above 7012	pit
7135	Fill	Loose mid brown silty clay. Contained frequent charcoal flecks, ceramic building materials, chalk flecks & 1 x C10-12th pot sherd. 5-6cm thick. 35cm E-W survived. 87cm N-S. Fill of Cut 7136	Fill of rubbish pit Cut 7163. C10-12th
7136	Cut	Sub-circular cut in plan. 5-6cm deep. 87cm E-W. 35cm E-W (but truncated). Gradual break of slope - top. Fairly steep sides. Gradually sloping sides. Concaved base. Filled by 7135. Cuts 7147	Cut for rubbish pit which also appears to contain builders waste - filled by 7135. C10-12th

Table 16. The Phase V pits.

industrial activity

Context	Type	Description	Interpretation
671	Fill	Hard mixed green-grey-yellow-mid-brown & orange silty clay, occ. charcoal flecks & lumps. No finds. Extent unknown. Underlies 606 . Overlies fill 654 . Fill of cut 668	fill of cut 668 . Mixed re-deposited natural on the Northern top edge of cut 688 .
654	Fill	Firm greenish-grey silty clay with frequent angular Lias up to 12 x 10 x 5cm, charcoal, frequent pottery, animal bone, slag & some fired clay/ oven lining. (similar to 606 but slightly darker). Up to 20cm thick. Underlies Fill 671 . Fill of cut 668 .	Lower fill of pit 688
668	Cut	Irregular with a heart shaped base (with the tip pointing NW). Up to 20cm thick x c.1-1.3m exposed (N-S) from the N facing section. Extent unknown. Irregular, gradually sloping sides. Irregular flat base. Filled by 654 & upper fill 671 . Cuts 669 & 611 contained pit Cut 656 within it's parameters.	hearth pit.
669	Fill	Stiff bluish-grey silty clay. Cut by 668 . Fill of Cut 670	Fill of possible small stake hole 670 .
670	Cut	Circular. 5cm deep x 6cm diameter. Steep sided. Tapers towards the base. Filled by 669 . underlying 654 / cut 668 . Cut into 611	Possible stake hole
655	Fill	Stiff olive green silty clay with freq. sm. angular lumps of burnt Lias, small charcoal flecks & lumps, & 1 x bone. Underlies 606. Cut by 677. Fill of cut 656	Fill of small pit 656.
656	Cut	Sub - circular or elliptical. Fairly steep sided. Concave base. Up to 17cm thick x 35cm wide (E-W) x 55cm long (N-S). Filled by 655. Cut by 677. Cuts fill 654	hearth pit

Table 17. Contexts relating to the Phase V industrial activity in Trench 6.

Phase VII
boundary ditch (7091)

Context	Type	Description	Interpretation
211 A-K	fill	mixed dark grey and green clay, some roots and small stones (up to 0.20m), excavated in spit c.0.15-0.20m.	Fill of ditch 214 .
214	cut	Ditch (N-S) containing fill 211 , c.1.0m wide x 1.0m deep, V shaped with flat channel at base and step at upper W side, Cuts 206 and 213	boundary ditch 337°/157°
217	fill	Mixed dark grey with stones and roots , excavated in spits. Below 205/303 , fill of cut 218/214 , same as 211 217A poss. disturbed by cultivation (brick and late pot)	Fill of ditch 218
218	cut	Ditch Cut filled by 217 . c.1.0m wide x c.1.0m deep with step on upper west edge and flat base. same as 214	boundary ditch
7043 A - D	Fill	Moderately compact green-brown silty clay with occasional charcoal, pottery, bone & metal. Cut by 7019 . Above 7074 . Fills A-D were removed in c.10cm spits.	Fill of ditch 7070
7074	Fill	Very compact yellow-brown clay with pottery, bone, charcoal & occasional medium sized stones. 10cm thick. Below 7043 . fills Cut 7070	Primary fill of ditch 7070
7070	Cut	Linear (N-S). c.50cm deep x c.1m. Fairly steep sides. Flat base. Filled by 7074 . Cut by 7019 . Cuts 703 . Same as 7002, 7091 & 7115	boundary ditch.
7003	Fill	Compact mid grey-green silty clay with moderate amounts of pottery, bone, angular stones (<15cm), charcoal. c.30cm thick. Cut by 799 . Fill of Cut 7002	Fill of ditch 7002 .
7002	Cut	Linear (N-S). c.30cm deep x 80cm wide. Steep sides. Flat base. Filled by 7003 . Cut by 799 . Cuts natural	boundary ditch.
705 A-F	Fill	Firm greenish-grey clay with moderate amounts of pottery & bone, excavated 6 x spits c.10-17 thick (with 705 A at the top). Up to 65cm thick. Below 704 .	Top fill of ditch 722
722	Cut	Linear (c.NNW-SSE). c.70cm deep against the W facing section. Width & length unknown. Steep sides, becoming steeper towards the base. Fairly flat base. Filled by 705 . Cuts layer 713 Same as Cuts 214 & 218	boundary ditch
7096	Fill	Very compact mottled dark grey silty clay & stiff yellow-orange natural clay. Contained pottery sherds, bone, charcoal & natural sub-angular orange ?mud stones. c.4cm thick. 7096 climbs c.28cm up the sides of Cut 7091 . Below Fill 7090 .	fill of ditch 7091 . Does not appear to cover the base of the cut however which was recorded as 7090 E with 10-12th finds, recorded separately
7091	Cut	Linear (NNW-SSEa0. 61cm deep x 88cm wide. Steep sides. Flat base. Filled By 7090 & 7096 . Cuts 703 . Cuts layers 722 & 7095 & Cuts 7113 & 7114 . Same as Cuts 722, 7070, 7002	boundary ditch 337°/157°
7110	Fill	Compact mid brown clayey silt with charcoal, small lias stones, orange stones, mortar fragments, pottery & bone. 50cm thick. Below 7040 . Fill of Cut 7115	Fill of ditch Cut 7115 .
7115	Cut	Linear (N-S). c.50cm deep x c.1m wide. c.45 degree angle of slope. Flat base. Filled by 7110 . cuts 703 Same as 7070, 7002 & 7091	boundary ditch Continues under the N facing section of Area 7.

Table 18. Contexts of the boundary ditch (7091)

**western property
gully (7078)**

Context	Type	Description	Interpretation
765	Fill	Loose dark grey silty clay, frequent charcoal flecks & lumps, occasional medium sized sub-angular oolitic & lias limestones (<15cm) - some burnt, rare slag, occasional pottery & bone. Up to 10cm thick. Below 7085 . Above fill 7111 . Spreads over the sides of Cut 7078b to the N	Upper fill of 7078 .
7111	Fill	Fairly compact light grey-green silty clay with moderate amounts of charcoal flecks & lumps, sub-angular limestones (<15cm) - some burnt, bone & pottery. Below fill 765 .	fill of 7078
7078	Cut	Linear. Up to 15cm deep x up c.150cm wide at the W end. Gently sloping N side, steeper S side. Concave base. Filled by 7111 . Cut by 7089 .	gully which drains to the W
7150	Fill	Moderately compact grey-brown silty clay with occ. small stones, charcoal, bone & pottery. Below 7141 . Fill of Cut 7157	Fill of 7157 .
7157	Cut	Linear (c.NW-SE). 20-30cm deep x 30-40cm wide c.45 degree angle of the S slope & c.60 degree angle on the S slope. Flat level base with a higher step to the S (possibly an earlier cut). Filled by 7150 . Cuts natural, 7155 & 7156	gully
7127	Cut & Fill	Moderately compact mid orange brown sandy clay, moderate amounts of charcoal flecks, pottery, bone. In roughly circular cut. Up to 10cm deep x 25cm diameter. Steep sides. Irregular base. Below 765. Cuts 7078	stake hole or pos. tree root.

Table 19. Context associated with gully (**7078**)

triple posthole complex (7164) and (7059)

Context	Type	Description	Interpretation
113	fill	Pale grey, sandy clay with some charcoal, c.0.20m deep. Above 119 , Below 107 . Same as 119	Upper fill or sealing layer of 114
119	fill	Light grey sandy clay up to 0.20m deep, contained a sherd of post-med pot - possibly intrusive South part of fill of 114 , same as 113	Fill of feature 114
115	fill	Below 113 within cut 114/122 , grey sandy clay with patches of redeposited red clay	Main fill of 122
114	cut	Cut of sub-oval feature, c.1.8m N-S x c.0.5-0.6m E-W, c.0.25m deep, contains 3 possible postholes, filled by 113 , 115 , 119	Structural feature
122	cut	Cut filled by 115 , probably part of 114, in base of 114, c.0.55m wide, c.0.25m deep, filled by 119	Same as 114
7163	Fill	Firm dark brown slightly silty clay, no significant finds or inclusions. 12cm thick. Below t & t.	Fill of Cut 7164
7164	Cut	Sub-oval shaped in plan. Aligned NNW-SSE. 12cm deep x 38cm E-W x 90cm N-S. Fairly steep sides. Rounded, fairly irregular base. Filled by 7163 . Cuts 7012 & 7179 .	Post pit.
130	posthole	large posthole with grey sandy clay fill, Oval, c.0.36m E-W x 0.32m N-S x 0.27m deep, steep sloping sides with a rounded, almost pointed base, no packing stones	Large structural posthole, probably connected with 114

triple posthole complex (7164) and (7059)

Context	Type	Description	Interpretation
131	posthole	possible base of posthole cutting 106 , irregular, 0.26m x 0.32m x 0.06m deep, rounded base with two possible stake points	Possibly connected with 114 and 132
132	posthole	adjacent to 131, filled by brown-grey sandy clay, 0.22m x 0.32m x 0.04m deep	Possibly associated with 131
7052	Fill	Firm dark grey brown silty clay with frequent charcoal flecks, occasional pottery, bone & slag. c.9cm thick. Below deposit 770 . Above Fill 7058	upper fill of Cut 7059 . SAMPLE – 8 charcoal.
7058	Fill	Stiff mixed pale grey & orange clay with occasional charcoal. No finds. c.2cm thick. Below Fill 7052 . Fills 7059	Primary fill of Cut 7059 . Lines the base of the cut
7059	Cut	Egg shaped cut in plan. Aligned c.NNE-SSW. c.11cm deep x 39cm E-W x 79cm N-S. Sharp break of slope - top (N,E,W sides) & gradual on the S side. Fairly steep N,E & W sides - shallow S side. Bowled base. Filled by 7058. Cut into natural 7012	post pit
7061	Cut & Fill	Fill = Dark grey silty clay with charcoal flecks. No finds. Cut = Sub-circular in plan. 6cm deep. 18cm N-S. 25cm E-W. Fairly steep sides. Rounded base.	Probable post hole
7060	Cut & Fill	Fill = Dark grey slightly silty clay with charcoal flecks & 1 x burnt stone frag. Cut = Sub-circular cut in plan. 8cm deep. 26cm diameter. Fairly steep sides. Bowled base. Below 770. Above 7012	?Probable post hole.

Table 20. Contexts associated with the triple posthole complex (7164) and (7059)

postholes (780) and (782).

Context	Type	Description	Interpretation
764	Fill	Loose dark grey-brown clay loam with patches of yellow clay, occasional pottery sherds, bone, slag, glass & frequent charcoal flecks & lumps & small stones. Up to 4cm thick in a circular patch c.70cm diameter. Below 716 . Above 781	Top fill of 780 .
781	Fill	Firm dark grey-brown clay silt with patches of re-deposited yellow natural clay. Contained moderate amounts of charcoal flecks, small stones, bone, fired clay & pottery. Up to 24cm thick. Below 764 . Fills cut 780	Fill of 780 .
780	Cut	Circular plan. Up to 29cm deep x c.70cm diameter. Near vertical sides. Irregular base, deeper in the centre. Filled by 781 , 764 . Cuts into 713	Large post hole. The central depression suggests a post hole rather than a small pit cut.
763	Fill	Firm dark grey clay with yellow brown inclusions, freq. charcoal flecking, mod. amounts of pottery, bone, rare Fe. Underlies 716 . Fill of Cut 782 . The fill is similar to 764/ 781 in Cut 780 . These features are likely to be associated	Fill of pit / post hole 782
782	Cut	Circular. 24cm deep x 68cm (E-W) x 72cm (N-S). Very steep sides. Irregular base, generally sloping towards the centre. Filled by 763 . Cuts 713 . Are these associated post holes for a building?	pit or large post hole. Same in scale, fill & finds to pit Cut 780

Table 21. Matching postholes (780) and (782).

complex pit (7030/7025/758)

Context	Type	Description	Interpretation
753	Fill	Fairly loose dark grey-green silty clay with moderate pottery, bone, metal & charcoal. 3-5cm thick. Below 714 Upper. Above fill 754	Upper fill of pit 758 .
754	Fill	Fairly compact light greenish-grey, slightly silty clay, occ. charcoal flecks, small iron stones, pottery & bone. Up to 10cm thick. Below fill 753 . Above fill 755	Secondary fill of pit 758
755	Fill	Compact light greenish-yellow clay with small iron stones (<5cm). 2-3cm thick. Below fill 754 . Above fill 756 . Fills 758	Primary fill of pit 758
758	Cut	Oval (N-S). 20cm deep x 60cm wide at the top - 40cm wide at the base. Exposed in a 50cm long stretch at the S end of Sondage C. Dished base- Filled by 755 . Above 714 Upper, 742 , 756 , 7023 . Cuts 743 .	clay-lined pit or post hole re-cut of 7025
7023	Fill	Moderately compact yellow-brown mixed silty clay & colluvium. Contained iron stone. No finds. Up to 13cm thick. Below 758 . Above 7024	Upper fill of cut 7025 . resembles colluvium; may indicate a period of abandonment between Cut 7025 & 758 or a rapid backfill following the deposition of 7024 .
7024	Fill	Compact greenish-grey/ brown silty clay with occ. pottery, bone, iron stones, mod. amounts of charcoal. Up to 14cm thick. Underlies 758 , 7023 , fill of 7025	fill of cut 7025 .
7025	Cut	Roughly circular. Up to 27cm deep x c.60cm diameter. Near vertical sides. Flattish base. Filled by 7024 . Cut by 758 . Cuts 7029	circular pit or post hole. Re-cut of pit 7030
756	Fill	Fairly compact greenish-grey silty clay, moderate amounts of charcoal, pottery. Cut by 758 . Cuts 757 in line with it gully 743	Fill of post hole 757 .
757	Cut	Roughly circular. 7cm deep x 14cm diameter. Near vertical sides. Flat base. Filled by 756 . Cut by 758 . Cuts into 7029	Stake hole or small post hole that is in line with Cut 743 & adjacent to pit Cut 7025 .
7029	Fill	Fairly compact yellow-orange brown silty clay mixed with colluvium. Contained pottery, bone, charcoal flecks, small iron stones, rare oolitic pebbles. Below 757 & 7025 . Fill of Cut 7030	fill of pit Cut 7030
7030	Cut	Sub-rectangular in plan. 10cm deep x 50cm E-W x 70cm N-S. Vertical sides, flat base. Filled by 7029 . Cuts by 757 , 758 & 7025 . Cut into 703	Sub-rectangular pit re-cut by circular pits 758 & 7025 . Earliest of a series of re-cut pits

Table 22. Contexts associated with complex pit (7030/7025/758)

Context	Type	Description	Interpretation
7116	Fill	Fairly compact mid brown green silty clay, occ. charcoal, pot, bone, burnt stones, small stones. 18cm thick. Overlies 7134 . Fill of 7117	Fill of pit 7117 .
7134	Fill	Moderately compact light green-brown silty clay with occ. charcoal & small stones. 15-20cm thick. Underlies 7116 . Fill of 7117	Fill of 7117 . ?Possibly a remaining portion of fill from an earlier feature which was cut by 7117 .
7117	Cut	Rectangular with rounded corners. 18cm deep x 90cm (E-W) x 140cm (N-S). c.45 degree angle of slope. Flat base. Filled by 7116 & 7134 . Cuts 7012	pit filled with waste.

7137	Fill	Stiff very green-brown silty clay with occasional large lumps of lias - some burnt, some ammonites (up to 15 x 10 x 5cm), occasional animal bone, occasional pottery. Below 7017, 7079. Fill of Cut 7153	Fill of Cut 7153
7153	Cut	Oval shaped cut. At least 20cm deep x 150cm E-W x 180cm N-S. Steep to vertical sides. Flatish base. Below 7137. Cut by animal burrow 7017. Cut into 7012	Remarkably shallow pit

Table 23. Contexts associated with pits (**7117**) and (**7153**).

eastern property

industrial activity

Context	Type	Description	Interpretation
7013	Fill	Compact mid brown silty clay, pottery, bone, Cu alloy slag & small stones, 1 x Fe staple. 12cm thick. Fill of 7016	Fill of pit 7016
7016	Cut	Irregular. 12cm deep x 80cm (N-S) x 180cm (E-W). Fairly steep sides. Concave base. Filled by 7013 . Cuts 703	hearth pit
676	Fill	Stiff olive green silty clay with freq. charcoal, burnt stone. No finds. ?Underlies 606 . Fill of Cut 677 .	Fill of pit 677 .
677	Cut	Sub-circular. 50cm (SW-NE) x 70cm (NW-SE). Stake holes in the base. Filled by 676 . Cuts 656 & (?676) also probably 6008 . Cut into 611 in an area which is littered with post/ stake	hearth pit.
655	Fill	Stiff olive green silty clay. Contained frequent small angular lumps of burnt lias, small charcoal flecks & lumps, pottery & bone. Up to 17cm thick. 35cm wide (E-W). 55cm long (N-S). Below 606 . Above/ Fill of Cut 656	Fill of small pit Cut 656 . Sealed by spread 606
656	Cut	Sub - circular or possibly elliptical shaped feature in plan. Fairly steep sided. Rounded break of slop - base. Concaved base. Below/ Filled by 655 . Truncated by Cut 677 . Above/ Truncates Fill 654	Cut for a small - shallow Medieval pit containing Fill 655 . Appears to be truncated by Cut 677
657	Stake Hole Fill & Cuts	11 x possible stake/ small post holes. Uniform fills of dark blue-grey stiff silty clay, no significant finds or inclusions. All circular & tapering towards the base. Underlies 606 . Cut into 611, 654 A = 6cm diameter x 6cm deep, B = 5cm diameter x 7cm deep, C = 6cm diameter x 9cm deep, D = 6cm diameter x 5cm deep, E = 7cm diameter x 10cm deep, cut into Fill 671 F = 5cm diameter x 9cm deep, cut into Fill 654 G = 6cm diameter x 7cm deep H = 4cm diameter x 5cm deep, I = 4cm diameter x 4cm deep, J = 4cm diameter x 4cm deep, K = 5cm diameter x 6cm deep.	11 x possible stake/ small post holes in a small group. ?Poss. ass. with pit 656 . ?industrial activity.

industrial activity cont.

Context	Type	Description	Interpretation
610	Fill	Compact mid - greyish - brown clay. Contained occasional large squared stones & angular stones 29 x 28 x 10cm, charcoal, C10-12th pottery & 1 x oyster shell. 7-20cm thick. 50cm wide (NE-SW). 1.32m long (NW-SE). Underlies 603 . Fill of 663	Fill of Medieval pit Cut 663 . Contained domestic waste.
663	Cut	Sub-circular cut. 20cm deep. 50cm wide (NE-SW). 1.32m long (NW-SE). Gradual break of slope - top. From c.35-45 degree angle of slope. Rounded break of slope - base. Concaved base. Filled by 610 . Cut into 604	Cut for a rubbish pit. In plan 663 appears to cut gully 660 / 661 , but that was not visible in the section.
6002	Fill	Loose grayish/dark brown silty clay. No significant finds or inclusions. Cut by 660 . Fill of cut 6001 similar to fills of 698 , 6000 & 6002 .	Fill of post hole 6001 .
6001	Cut	Circular. 3cm deep x 8cm diam. Filled by 6002 . Cuts 660/ 661 . Cut into 604	small post or stake hole. W of Cut 699 . Cuts 697 , 699 & 6001 appear to be in a line in the base of beam slot 660/ 661 ; may be associated with post holes 697 & 699 .
6000	Fill	Loose grayish/dark brown silty clay. No significant finds or inclusions. Fill of Cut 699	Fill of likely post hole 699 .
699	Cut	Circular. c.10cm deep x c.22cm diameter. Fairly steep sides. Rounded base tapering to a point. Filled by 6000 . Cuts possible beam slot 660/ 661 . Cut into 604	probable post hole.
698	Fill	Loose dark grey silty clay. No significant finds or inclusions. Fill of cut 697	Fill of cut 697
697	Cut	Circular. 10cm deep x c.18cm diameter. c.50 degree angle of slope. Concave base tapered to a rounded point. Filled by 698 . Cuts 660/ 661 . Cut into 604	post hole.
609	Fill	Compact dark greyish-brown clay silt mixed with yellow clay with frequent pottery & bone. 5cm thick. Underlies ? 603 . Fill of cut 660 . Same context as 662 .	Fill of the terminus of linear gully 660 .
662	Fill	Compact dark greyish-brown clay silt mixed with yellow clay. No finds. Up to 3cm deep. Underlies 602 . ?Cut by 663 . Fill of cut 662 . Same as 609 .	Fill of shallow gully 661 .
660	Cut	Linear (E-W) with a semi-circular terminus to the E. 5cm deep x 19cm wide (N-S). Sondage = 59cm long (E-W). Gradual/ smooth sides. Concave base. Filled by 609 . Base of Cut 660/ 661 cut by post/ stake holes 669 , 697 & 6001 . Cut into 639 Same as 661	Terminus of a shallow, E-W gully 661 .
661	Cut	Linear with a semi-circular terminus at the E of the feature (660). Aligned E-W. Up to 3cm deep x up to 45cm wide (N-S). Exposed length of 660/ 661 = c.2.8m N-S. Gently sloping sides. Concave base. Filled by 662 . Same as 660 .	E-W beam slot

Table 24. Contexts associated with industrial activity in the eastern property

Phase VIi
western property

the privy

Context	Type	Description	Interpretation
762	Fill	Fairly loose dark green-grey silty clay with frequent charcoal flecks & lumps, moderate sub-rounded oolitic pebbles, pottery, bone, ?slag, occasional burnt stone & fired clay. Seems to fill a depression in the top of Cut 796 & extend to the W. Up to 18cm thick. Below 714. Above 762 Lower	Top fill of pit 796., possibly dumped from a hearth.
7048	Fill	Compact dark green-brown-black silty clay with patches of re-deposited natural. Contained occ. pottery, bone, charcoal flecks, sub-angular stones especially around the sides of the cut. Up to 30cm thick x c.1m diameter. Below fill 762 Upper. Above fill 7050. There are at least five alternating bands of silt 7049 & clay lining 7050.	fill of pit 796
7050	Fill	Very compact greenish orange-yellow re-deposited natural clay with rare charcoal flecks, isolated animal bone & ?pottery. c.13cm thick as lining on the sides of Cut 796, c.3cm thick on the base of the cut. 7050 also occurs as alternating bands of clay (7050) & silt (7048) in the lower c.50cm of pit 796.	clay lining of pit 796.
796	Cut	Circular. Up to 76cm deep x c.110cm diameter. Near vertical sides. Flat - slightly concave base. Filled by 7048 & 7050. Cuts 703. Appears to have been periodically lined with clay at the base of the cut after silting.	cylindrical pit lined with clay 7050. Cess pit
735	fill	Loose dark greenish-grey clay, moderate amounts of charcoal flecks, occasional pottery, iron stone & bone. c.5cm thick. Below 716. Above 736. ?Same as 713.	Base of Deposit 716, collecting above the top fill of pit & compacting it.
736	Fill	Mixed loose green-grey & orange-yellow silty clay, occasional charcoal flecks, pottery sherds, bone. Up to c.15cm thick. Below fill 735. Above Fill 740	fill of 741. Bulk Sample - 5
740	Fill	Firm, mixed orange-yellow & light greenish-grey clay with occasional bone, burnt stone & iron stone. No finds. Less grey than fill 736. c.15cm deep. Below Fill 736. Fills 741	Primary fill of Cut 741.. Bulk Sample - 6
741	Cut	Sub-circular. c.30cm deep x 74cm wide (E-W). N-S unknown. Vertical sides. Flat base sloping to the S. Below fill 740. Cuts 7068. Cuts 739 A. Filled by 740 736 & 735.	pit
723	Fill	Firm grey clay. Contained occasional C12-14th pottery, bone, burnt bone, mortar/ plaster & rare charcoal inclusions, especially near the base. No finds. c.15-20cm thick. c.60-70cm wide (E-W). Sondage = up to 80cm long (N-S). Below 704. Above/ Fill of Cut 719N	N end of Cut 719. Only 1 x fill containing exclusively Medieval pot. 723 appears to be at the Northern terminus of Cut 719. Appears to be quite different to 210, 220, 226
726	Fill	Loose to firm brown loamy clay, rare charcoal, moderate tree roots & a few orange sandstone frags from 716. Below 710. Fills cut 719 Centre	Fill from the centre of gully Cut 719

the privy cont.

Context	Type	Description	Interpretation
719	Cut	Linear (N-S). c.15-20cm deep x c.60cm wide. c.70 degree angle of slope. Concaved base. Filled by 720, 723, 726 . Cuts 716 & layer 721 . Excavated in 3 sondages 719 - N, S & Centre. 719S = Fill 710 & primary Fill 720. 719 Centre = Fill 726, 719N = 723	Shallow, wide gully Surrounded by potential stake/ post holes including in the base of the cut.
728	Cut & Fill	Soft brown loamy clay, 1 x burnt stone & rare charcoal flecks. In circular cut. Vertical sides. Wider towards the top. Cuts into deposit 716	A stake hole to the S of slot 719 .
745	Fill	Fairly firm dark greenish-grey clay, moderate amounts of pottery, bone, frequent stones (up to 10 x 12 x 10cm but mostly much smaller) & roots. c.50cm thick. Below 714 Upper. Above fill 750	Top fill of pit 752 .
750	Fill	Stiff dark greeny grey clay with lenses of orange-yellow, moderate amounts of pottery, bone, occ. charcoal flecks & slag. Fewer stones than 745. 26cm thick. Below fill 745 . Above fill 751	Middle fill of Pit 752 .
751	Fill	Stiff mixed yellow & green-grey silty clay, occ. pottery, bone & charcoal flecks. c.24cm thick. Below fill 750 . Above cut 752	Primary fill of pit 752 . ?clay lining
752	Cut	Sub-circular, almost square-shaped. 80cm deep x 1.9m wide (E-W) at the top of the cut. 60cm wide (E-W) at the base. Steep sides. Concave irregular base. Below fill 751 . Cuts 714 , Lower 715 & lynch 744 .	cess pit

Table 25. Contexts associated with the privy.

Miscellaneous

Context	Type	Description	Interpretation
775	Fill	Firm dark grey-brown silty clay, occ. charcoal flecks & bone. 5-12cm thick. Up to 50cm thick at the top (fill spills over the top of the cut); 22cm wide at the top of the cut. Length unknown. Fill of cut 7079	Fill of 7079 .
7079	Cut	Linear (c.WNW-ESE). Very shallow at the S end. c.5cm deep x 30cm wide. In profile through pit Cut 7081 - c.12cm deep x 28cm wide. Shallow sloping sides. Irregular base. Filled by 775 . Cut by 7018 . Cuts fill 7080	shallow gully
7075	Fill	Fairly compact mid brown-green silty clay with occ. pottery, bone, charcoal & plaster/ mortar lumps. 10cm thick. Difficult to distinguish from 7116 . Above fill 7082 . Cuts fill 7116 .	fill of pit 7084
7082	Fill	Fairly compact mid brown green silty clay, moderate amounts of pottery sherds, bone, charcoal & mortar. 60cm thick. Below fill 7075 . Above fill 7083 . Similar to 7075	fill of pit 7084
7083	Fill	Very compact orange-yellow clay, occ. pottery, bone & charcoal. c.3-4cm thick. Below fill 7082 . Fills 7084	clay lining of pit 7084 .
7084	Cut	Rectangular (N-S), slightly rounded corners. 25-40cm wide (E-W) x 140cm long (N-S) x 70cm deep. Near vertical sides. Slightly concave base. Below fill 7083 . Filled by 7075, 7082 & 7083 . Cuts 703 .	Clay-lined pit.

Miscellaneous cont.

Context	Type	Description	Interpretation
7076	Fill	Fairly compact mixed green-grey clay silt & re-deposited orange-yellow natural clay, mod. amounts of charcoal flecks & small lumps, small lias limestones (<10cm), small sub-rounded cherty pebbles, small animal bone & rare pottery. Up to 25cm thick. Below t & t. Above fill 7077	Top Fill of Cut 7089 . Re-deposited clay suggests rapid backfilling
7077	Fill	Friable dark greenish-grey loamy clay with frequent charcoal lumps & flecks, occasional small lias & oolitic limestones (<5cm), burnt stones, mod. amount of animal bone & pottery. Up to c.50cm thick. Below fill 7076 . Fills 7089	Lower fill of pit 7089 .
7089	Cut	Rectangular (c.NNE-SSW). Up to 50 deep x 65cm (E-W) x 140cm (N-S). Steep sides. Contained fills 7076 & 7077 . Cuts 7044	Rectangular pit. Similar pit 7084 has a narrow gully draining into it.
724	Fill	Firm dark greyish - brown clay with yellow flecks. Contained occasional C13-15th pottery, bone, 1 x tile, 1 x slag, 1 x flint flake. c.11cm thick. Width & length extent unknown. Below 704 . Above/ Fill of Cut 725	Fill of pit 725 . Sealed by Layer 704 .
725	Cut	Sub-circular cut in plan. 11cm deep. Feature = quarter sectioned = 48cm E-W. 55cm N-S. Sharp break of slope - top. Steep sides - W facing side = almost vertical. Rounded break of slope - base. Irregular/ flat base. Below/ Filled by 724 . Above/ Cut into Layers 713 & 727	pit.

Table 26. Miscellaneous features in southern part of western property.

eastern property
metal-working hearths

Context	Type	Description	Interpretation
786	Fill	Moderately compact dark brown silty clay with mortar, pottery, ash, Fe, bone & small stones. Below t & t. Fill of cut 7015	Fill of a pit 7015 .
7015	Cut	Rectangular with rounded corners. Aligned E-W. 14cm deep x 70cm (N-S) x 180cm (E-W).. Fairly steep sides. Concave base. Filled by 786 . Above 703	Rectangular pit filled with waste
789	Fill	Fairly loose dark grey-green silty clay with super abundant amounts of charcoal. Contained mod. amounts of pottery, occ. bone & fired clay. Up to 15cm thick. Cut by 7014 . Overlies 7189 . Fills 7196 .	Fill of pit 7196 . Site of frequent wood burning.
7189	Fill	Moderate to loose friable green-grey-brown silty clay. Contained plaster/ mortar frags, bone & 1 x decorated Cu alloy strap end (SF -22). Up to 25cm thick. Below fill 789 . Cut by 7014 (SE), 7181 & 7028 (to the W), 7158 (to the S) & 7196 in the centre of the fill. Fill of 7190	Fill of Cut 7190 .
7190	Cut	Oval. 34cm deep x 1.7m wide (N-S) at the top, 60cm (N-S) at the base. c.2.m long (E-W). c.45° angle of sides. Flat base. Filled by 7189 . Cut by post hole 7014 (SE), pit Cuts 7028 (NW) & 7158 (W). Cuts 703, 7195	industrial hearth.

metal-working hearths cont.

Context	Type	Description	Interpretation
651	Fill	Moderately compact dark grey-brown-green friable silty clay. Contained mod. quantities of pottery, burnt stone, small-large sub-angular stones (up to 22 x 13 x 4cm), bone, occasional slag, fired clay/ oven lining & freq. charcoal, 1 x ceramic crucible frag. Up to 21cm thick. Cut by 645 . Overlies fill 672	fill of pit 650 . Industrial debris.
672	Fill	Stiff mixed dark brown-grey-green silty clay with orange-brown-yellow. Contained pottery, bone, charcoal & Fe. Up to 20cm thick. Underlies fill 651 . Fill of cut 650	Primary fill of pit 650 .
650	Cut	Sub - circular. Up to 35cm deep x 105cm wide (E-W) x 125cm long (N-S). Rounded sides. Concave base. Filled by 672 & 651 . Cut by 645 & 647 . Cut into 606 & 611	hearth pit.
6006	Fill	Hard grey-buff clay with occasional grits. Fill of cut 6007	Fill of post hole 6007 .
6007	Cut	Sub-circular. c.13cm deep x c.32cm diameter. c.60 degree angle of slope. Concave base. Filled by 6006 . Cut into natural clay	post hole.
6004	Fill	Firm to hard dark grey to grey-buff clay with occ. grits & small stones. Cut by 659 . Fill of cut 6005	Fill of post hole 6005 .
6005	Cut	Sub-square. c.10cm deep x c.26 x 28cm square. Vertical sides. Fairly flat base. Filled by 6004 . Cut by 659 . Cut into natural clay	post hole or small pit.

Table 27. Contexts associated with metal-working hearths.

Intercutting pits

Context	Type	Description	Interpretation
633	Fill	Moderately compact dark grey-green loamy silty clay with mod. amounts of pottery, occ. bone & 1 ceramic tile. Cut by 675 . Above fill 694 in cut 696 . Same as 687, 694 cleaning.	An upper fill of pit 696 .
687	Fill	Moderately compact brown-green - grey silty clay. A thin ephemeral layer that yielded no finds. 1-3cm thick. Overlies 635 . Same as 633, 694 cleaning.	A patch of clay on the slope of 635 .
694	Fill	Moderately compact dark grey-green loamy silty clay with freq. pottery, ceramic roof tiles, medium-large sized sub-angular Doultling & Lias frags (up to 50 x 30 x 10cm), medium-large Lias roof slates, some with peg holes, bone (inc 1 x carved bone), Fe nails/ staples etc. & occ. slag & charcoal. Up to 21cm thick. Underlies 608 & 633 . Overlies fill 695 . Same as 633, 687 .	Upper fill of large pit 696 .
608	Fill	Loose dark grey-brown silty clay with green patches & frequent frags (ave. = c.10 x 15 x 1cm). Also with frequent pot, mod. amounts of Medieval ceramic tile frags, freq. bone, occ. slag, burnt stone, 1 x Lias roof tile with peg hole. c.21cm thick x c.140cm (NE - SW) x c.180cm (NW-SE). Underlies 603 . Fill of Cut 675 . ?Same context as 694 . Darker, looser soil than 633 & 636 with less green colouration.	A dump of Lias slate roof slates (incl. some with peg holes) & demolition rubble fill of Cut 695 .

Intercutting pits cont.

Context	Type	Description	Interpretation
675	Cut	Egg shaped. c.21cm deep x c.140cm wide (NE-SW) x c.180cm long (NW-SE). Rounded sides with a concave base. Filled by 608 . Cuts 633, 636 & 694	pit - filled by 608 . Appears to contain a dump of un-used Lias roof slates & building materials in the top of 694 . Therefore 675 is most likely an artificial cut & 608 is really the upper fill of Cut 696 .
695	Fill	Fairly firm olive green-dark grey loamy silty clay. High organic content. Contained freq. pottery, occ. bone, slag, burnt stones, tiles, sub-angular stones with large undressed rocks on the base of the fill. c.30cm thick. Underlies fill 694 . Fill of cut 696 .	fill of large pit 696 .
696	Cut	Circular. c.80cm deep x c.2.6m diameter. Sides = 2 x rounded curves - one on top of the other. Flat base with large sub-angular rocks. Underlies fill 695 . Cut by 641, 684 . Cuts 611, 626, 635, 634, 636, 6025 .	large clay pit containing demolition rubble & pottery wasters but fewer than other pits in Area 6.
616	Fill	Fairly firm dark grey-brown silty clay with abundant ceramic tile frags (finds not separated). c.17cm thick. c.1.2m N of the E edge of cut 696 . Underlies 603 . Fill of Cut 6003 . Same as /part of fill 636 .	Fill of gully 6003 , a dump of tiles within fill 636 .
636	Fill	Fairly firm dark grey-brown silty clay with v. freq. medium-large sub-angular Lias & Douling stone (some burnt), frequent pottery (some wasters) & 7 x wasted glazed C13-15th ceramic tiles, mod. amounts of fired clay, bone, charcoal & slag.c.17cm thick. Underlies 603 . Fill of cut 6003 . Same as 636E (E portion of 636) Next to Cut 696 . Similar to fill 631 & 694/ 695 .	Fill of gully 6003 . Possibly a contemporary drainage gully into pit 696 . Large stones in 636E obscured the E face of cut 696 , making the relationship unclear.
6003	Cut	Linear (E-W). 17cm deep x 72cm wide (N-S). Gradual slope on flat base. Filled 636 & 636E . Cut into 611 & 634	access ramp into pit 696 .
631	Fill	Moderately compacted brown-grey clay silt with abundant pottery & ceramic tiles, mostly wasters. Also v. freq. burnt clay/ oven lining & occ. bone. up to 45cm thick. disappearing beneath the baulk Underlies fill 652 . Fill of cut 6023 .	Fill of pit 6023 containing industrial waste. ?Possibly backfill of a kiln?
6023	Cut	Sub-circular. Up to 45cm deep x c.80cm wide (E-W) x c.1.2m long (N-S). E, W & S facing sides are gradually sloping. N side truncated. Concave base. Filled by 631 . Cut by 6025 . Cuts 6026 .	pit containing pottery manufacturing waste.
6024	Fill	Compact dark greenish-grey clay with pottery (mostly wasters), burnt clay, stone roof tiles & large stones. Up to 30cm thick. Cut by 640 . Overlies fill 6028 . Fill of cut 6025 Base of fill = above Cut 6025 . Sides of fill = above Fill 6028 .	Fill of pit 6025 . debris from pottery manufacture.
6028	Fill	Friable dark greyish-green clay. No significant inclusions. c.20cm thick. Underlies Fill 6024, lines the sides of cut 6025 .	Fill of cut 6025 . Contains debris from pottery manufacture. Possibly a portion of fill 631 which slumped in to cut 6025 when cut 6023 was truncated.

Intercutting pits cont.

Context	Type	Description	Interpretation
6025	Cut	Sub-circular. Up to 30cm deep x c.2.2m wide (E-W) x c.55cm long sondage (N-S). Steep sides. Flat base. Filled by 6024 & 6028 . Cuts 6023, 6027 & 6030 .	pit containing ?pottery manufacturing debris. The latest in a sequence of inter-cutting pits.
652	Fill	Moderately compact greenish-grey-brown silty clay. Contained occ. Lias grits. sub-circular stones (<5cm) & charcoal. No pottery. Up to 20cm thick. only seen in the S facing section. Underlies 602 . Overlies fill 629 .	Top fill of cut 640 . slow silting up of a shallow depression above fill 629 .
629	Fill	Moderate greenish-brown silty clay with abundant small degraded Doulting stone frags., some burnt stones (<20cm), occ. charcoal, mod. amounts of pottery (occ. wasters). Up to c.20cm thick. Up to 40cm wide (N-S) x 100cm long (N-S). Continuing beneath the N baulk. Underlies 603 & 641 . Overlies 630 . Fill of cut 640 .	Upper fill of pit 640 . Irregular deposit filling hollows in the top of 630 . gradual silting up of hollows in the top of
630	Fill	Angular Lias slates, mod. amounts of pottery & ceramic tiles (some wasters), occasional slag, metal, Doulting rubble (sub-rounded <20cm) including burnt stones in fairly loose slightly greenish-grey/brown clay silt matrix.. Up to 40cm thick filling Pit 640 . Underlies fill 630A . Fill of cut 640 . A line of Lias stones (probably related to 630) rises gently from the edge of Cut 640 , possibly a few loose stones from the dumping of 630 into cut 640 .	fill of pit 640 .
640	Cut	Roughly semi-circular with rounded corners. c.50cm deep x c.1m wide (N-S) x c.2m long (E-W). Steeply sloping sides. Concave base. Filled by 630 . Cuts 631 . Cut into 603 . Continued beneath the Northern baulk.	pit
6026	Fill	Compact mid yellowish-brown clay, freq. pottery & ceramic tiles including wasters, burnt clay/ kiln lining & occasional bone. Up to 49cm thick. Cut by 6023 & 6025 . Fill of cut 6027	Fill of pit 6027 . Debris from pottery kilns.
6027	Cut	One quarter of a sub-circular cut. Up to 49cm deep. As exposed = 1m (E-W) x 1m (N-S). Steep slope. Flat base. Filled by 6026 . Cut by 6025 . Cut into 604	pit.

Table 28. Intercutting pits

Postholes

Context	Type	Description	Interpretation
7064	Fill	Moderately compact dark grey-brown silty clay with occ. small grits & charcoal. No finds. Cut by 7055 . Fill of Cut 7065	Fill of stake hole 7065 . Poss. originally under brown Layer 787 like Cut 7063 , but it was machined off.
7065	Cut	Semi-circular. c.7.5cm deep x c.12cm diameter (N-S). c.6cm radius (E-W). Vertical sides. Flat base. Filled by 7064. Cut by 7055 . Cuts fill 7129 Located in a small area of intensive post holes.	large stake hole/ small post hole - the flat base would suggest a small post hole.
7094	Cut & Fill	Loose dark greenish-grey silty clay, mod. amounts of charcoal flecks & occ. small stones (<3cm) & bone. No pottery. In roughly circular cut. 7cm deep x 30cm wide (E-W) > 35cm long (N-S). Fairly steep sides. Concave base. Cuts Layer 7095	Possibly the base of a truncated post hole.

Postholes cont.

Context	Type	Description	Interpretation
7062	Fill	Loose dark brown-grey-green silty clay with rare yellow sub-angular stones & charcoal lumps. No finds. Underlies layer 787. Cut by 7055. Fill of 7063	Backfill of post hole 7063.
7063	Cut	Circular. c14cm deep x c.25cm NE-SW. NW-SE truncated by Cut 7055. Near vertical sides. Flat base. Sealed by layer 787. Filled by 7062. Cut by 7055. Cuts fill 7129. In small area of intensive post holes	post hole
7066	Fill	Moderately compact brown-green mottled friable silty clay with 1 x pottery, 1 x chalk lump, occ. charcoal. Fill of 7067	Fill of post hole 7067.
7067	Cut	Sub-rectangular. (c.N-S). Rounded corners. c.9cm deep x 11cm E-W. 17cm N-S. Near vertical N facing side, gradually sloping S side. Irregular flat base. Filled by 7066. Cuts fill 7129	probable small post hole.
7160	Fill	Mod. compact mottled blue-grey silty clay & yellow-orange re-deposited natural. Below/truncated by cut 7158. (No traces of 7160 or 7159 could be seen through 787.) Fill of cut 7161	Clay packing in the S of Cut 7161
7159	Fill	Loose dark brown loamy silty clay with 1 x large Lias sub-angular stone (18 x 10 x 9cm), occ. bone, charcoal, rare off - white mortar flecks with black specks, small sub-angular stones & grits. Cut by 7158. Fill of cut 7161	Infill of post pipe of 7161.
7161	Cut	Sub-circular. 11cm deep x 26cm (SE-NW) x 36cm (NE-SW). Vertical sides. Flat base with higher step to the S of the base. Filled by 7159, 7160. Cut by 7158 & 7161. Cuts 703	post hole
731	Cut & Fill	Soft brown clay, no sig. inclusions or finds. In roughly circular cut 5cm deep x 17cm diameter. Steep sides. Pointed base. Discovered after hard cleaning of 716 S of 719. Cuts 716	base of a stake hole - ?Possibly associated with 728. C10-12th
7005	Fill	Friable light grey green clay silt, occ. sub-angular small stones, pot, bone. Fill of cut 7004	Fill of post hole 7004.
7004	Cut	Sub-circular. 26cm deep x c.40cm diameter (N-S). Steep sides. Concave base. Filled by 7005. Cut by 799. Cut into natural	post hole containing Fill 7005. Possible second cut to the W & S of the Cut 7004.
7086	Cut & Fill	Firm grey brown silty clay, occ. charcoal flecks. No finds. In sub-circular cut 7cm deep x 29cm (N-S) x 36cm (E-W). Steep sides. Uneven/ undulating base. Sealed by Fill 775 where it spills out of Cut 7079. Cuts 7012 & 7088/ 7092	Post hole. Cuts ditch 7092/ 7088
7039	Fill	Loose light grey clay with pottery & bone. Cut by 7018. Fill of 7042.	Fill of post hole 7042. Possible association with 774.
7042	Cut	Circular. 15cm deep x c.38cm diameter. Steep sides. Bowled base. Filled by 7039. ?Cut by ditch 7018. Cuts 7026. Cuts into Natural 7012	Cut for possible posthole..
730	Cut & Fill	Cleaning layer 729 in the NW corner revealed >100 stake holes cutting into Natural 703 & possibly 729. Of these 57 were confirmed by excavation. Fill = grey - green/ grey clay containing occasional charcoal flecks & iron stone. No finds. Cut = 2-9cm deep (mostly 5cm). Diameter = 4-10cm (mostly 5cm).	>100 stake holes in the NW of Area 7. 53 recorded. Fill is similar to 714/716

Table 29. Postholes, undated or uncertain.

APPENDIX: IV Finds Lists

context	{ pottery }				{ building materials }		miscellaneous
	qty	fabric & weight	surface	century	qty	description	
TRENCH 1							
103	2	base, joining, grey, limestone and black grits, 11g	oxidised inner, reduced outer, sooty, micaceous	C13-15			8 x animal bones and teeth, 129g
	3	coarsewares, various types, 22g		C12-14			6 x Fe nails and objects, 230g
	1	hard, grey, small black grits, 4g	gritty green glaze out, oxidised inner	C13-14			1 x ?coal, ?clinker, 3g
	1	grey, sandy, quartz, 7g	oxidised outer, khaki glaze inner	C14-15			
	1	grey, sandy, small black grits, hard, 6g	orange-brown glaze inner, speckled green glaze out	C15-16			
106							1 x FLINT flake, pale grey, 1g
107	1	rim, grey, limestone temper, some brown grits, 4g	light brown skin with small voids	C10-11			1 x Fe nail, 15g
	2	coarsewares, grey, fine grits, 4g, 1g	oxidised outer, grey inner, micaceous	13-14			
	1	sandy, grey, fine, 5g	oxidised, traces of clear glaze	16-17			
	1	small, oxidised, <1g		n.d.			
110							1 x animal bone, 22g (suitable for C14)
							2 x animal bone, 5g
							1 x small frag. charcoal, <1g
							2 x stones, 6g
111N North						7 x small animal bones, 27g	
						frag small, grey slag, <1g	
112	1	grey, fine red grits, 2g	smooth oxidised surfaces with small voids	C10-11	2	Fe nails, 4g, 6g	1 x FLINT lump - grey. 6g
	1	grey, gritty, 1g	brown	C10-11			3 x fired clay frags. 5g
	1	rim, dark grey sandy fabric, oxidised margins, 23g	oxidised and reduced surfaces with small voids	C10-11			4 x stones, burnt, various, 80g, 44g, 25g, 10g

context	{ pottery }				{ building materials }		miscellaneous
	qty	fabric & weight	surface	century	qty	description	
112 cont.	1	same pot, some grog temper, 22g	oxidised and reduced surfaces with small voids	C10-11			20 x animal bones and teeth, 309g
	4	coarsewares, reduced fabrics, various types, 6g, 6g, 6g, 5g	oxidised and reduced surfaces with small voids	C10-11			2 x small animal bones, 4g plus 1 x abraded, hard, animal bone, ?fossil?, 7g
	1	coarseware, grey, quartz and grey grits, 11g	pale, oxidised inner, brown outer, small voids	C10-11			6 x animal bones, 42g 2 x frags. charcoal, 2g
	1	coarseware, dark grey, quartz and grits, 9g	orange inner, brown outer	C11			1 x slag, dull, black, smooth, 9g
							1 x small, grey, gritty slag, 1g
							4 x small fired clay, 5g
							7 x small stones, various, some burnt, 23g
							1 x iron link chain, rusted together, links c.90mm long, narrow with end loops, 218g SF 23
						1 x Fe hook, 37g SF 24	
112L Lower	1	rim, dark grey, fairly hard fabric with oxidised margins, 50g	shiny black 'skin' with small voids	C10-11			39 x animal bone and teeth, 269g
	1	base frag. light grey fabric with limestone temper, oxidised margins, 38g	pale reduced exterior, pale oxidised interior surfaces with small voids	C10-11			1 x calcined bone, <1g
	2	base frags. dark grey with some limestone and oxidised margins, 31g, 15g	brown interior, sooty and pale buff exterior sooty surfaces	C10-11			1 x smooth, black, slag, 1g
	8	various coarse wares, reduced fabrics, some with limestone, 44g, 26g, 18g, 11g, 10g, 6g, 5g, 2g		C10-11			7 x small frags. fired clay, 12g various limestones, some burnt 106g

GBT 05

context	{ pottery }				{ building materials }		miscellaneous
	qty	fabric & weight	surface	century	qty	description	
113	1	black burnished ware, 5g		C1-4			1 x flint core, blade facets, grey, 13g
	1	rim coarse ware, grey sandy fabric, quartz temper, 6g		C11-13			2 x Fe objects, corroded, 50g, 36g
	1	rim, dark grey sandy fabric, grit and quartz temper, 33g	oxidised sandy surfaces, sooty exterior, outer flange below rim	C14-15			8 x animal bone, 86g 1 x calcined bone, <1g
	10	various coarse wares, small, reduced fabrics, 29g	oxidised or reduced	C11-15			3 x slag frags 23g 1 x shiny grey ?tap slag? 23g
	9	various glazed wares, small, 33g		C12-15			2 x Fe nails, 7g, 6g
							1 x pink limestone, ?burnt, with white coating, 104g 2 x belamnite fossils, discarded, 8g, 6g
114							1 x FLINT flake, grey, 2g
115	2	small coarsewares, 1g, <1g		C11-13			1 x Fe nail, 7g 1 x small Fe lump, 3g
116	3	coarsewares, reduced, 13g, 3g, 2g	oxidised or reduced	C12-14			7 x animal bones 25g
	1	grey, sandy, 6g	reduced inner, khaki glaze outer	C12-14			1 x slag, grey, lightweight, 12g
	1	grey, sandy, quartz and grit temper, 6g	speckled khaki glaze inner, reduced outer, sooty	C13-14			1 x Fe nail, 12g and 1 x small lump ?Fe or ?ironstone, 10g
							3 x small frags coal, <1g 1 x fossil ?bone, 7g
117	4	various coarsewares, reduced fabrics, 5g, 4g, 1g		C12-14			1 x animal bone, 24g
	1	oxidised, sandy, 7g	smooth, sandy, grey inner surface, speckled orange glaze outside	C13-15			
	1	pale oxidised, sandy, 2g	pale grey inner, mottled green glaze out	C13-15			
	1	hard, smooth, dark grey, 13g	smooth orange inner, dark green-brown glaze out over strip with iron glaze	C13-15			

context	{ pottery }				{ building materials }		miscellaneous
	qty	fabric & weight	surface	century	qty	description	
	8	Joining sherds, hard grey fabric, black grits, pale cream inner margin, 135g	rough, cream, inner with voids and rilling, rough outer with all-over mottled green glaze	C13-15			
117N North	1	base, coarseware, dark grey, sandy,	dark grey, micaceous 15g	C12-14			23 x animal bone, 201g
	5	various coarsewares, 16g, 12g, 6g, 3g, 1g		C11-14			3 x Fe nails, 9g, 7g, 5g
							1 x burnt limestone, ?Bath stone, 250g
							1 x ?fired clay, ?object, brown with abundant limestone
							4 x small nodules of hard, orange sandstone, discarded, 33g
119	1	small coarseware, brown with grey core, 2g	brown	C10-12			1 x FLINT flake, grey, 5g
	1	oxidised, sandy, 5g	inner orange glaze,	C17-18			1 x FLINT flake, pale grey, 2g
119A	1	coarseware, grey, sandy, small grits, 3g	brown inner, black outer	C12-14			burnt stone or cinder, 5g
123	1	rim, grey, limestone temper, some grits, 3g	brown 'skin', small voids	C10-11			2 x small stones
	1	coarseware, brown, sandy, some small white grits, 31g	brown, sandy	C12-14			
124	1	coarseware, grey, sandy with small quartz and grits, 12g	reduced	C12-14			3 x animal bones, 22g
	1	coarseware, grey, sandy, black grits, 21g	grey-brown out, buff-orange inside, micaceous	C12-14			1 x burnt limestone, 13g
	1	grey, white grits, 8g	orange outer with patches of dull green glaze	C12-13			
125	1	base, hard, grey, sandy with small	oxidised with patchy, yellow-green	C13-14			

		black grits, 18g	glaze				
context	{ _____ pottery _____ }			{ _____ building materials _____ }		miscellaneous	
	qty	fabric & weight	surface	century	qty		description
126	1	fine, grey, 2g	smooth, grey-brown, micaceous	C13-15			2 x animal bones, 16g
							1 x Fe frag, ?slag or nail? 6g
							5 x various burnt stone frags, 18g
128							1 x animal tooth, 22g
							1 x large fragment of fired clay, 20g
							3 x burnt stones, 198g
							1 x lias stone frag, 11g 1 x quartz stone frag, 2g
130	1	dark grey, gritty, 3g	reddish-brown, gritty	C11-12			1 x large, belamnite fossil, 24g
131 base							1 x small fragment of ?tap slag, 1g
139							1 x small animal bone, <1g
							1 x small charcoal, <1g
140							1 x small fired clay frag, 1g
							1 x hard, grey stone, 4g
141							1 x fired clay frag, 6g
							1 x fired clay/burnt stone, 19g
							1 x micaceous, orange sandstone, 16g
Tr 1 Cleaning Bags & Unstratified							
Tr1 C1	1	rim, grey, fine limestone and grits, 4g	light brown with small voids	C10-12			1 x light brown, fine grained limestone, 18g
	1	coarseware, dark grey with fine limestone and grits, 4g	black inner, brown outer	C12-14			

GBT 05

context	{ pottery }				{ building materials }		miscellaneous
	qty	fabric & weight	surface	century	qty	description	
	1	oxidised, 4g	inner brown glaze	C17			
1 C2	3	various coarsewares, 5g, 5g, 3g		C11-14			1 x green bottle glass, discarded, C19, 4g
	1	rim, sandy, light grey, 55g	pale oxidised with reduced areas outside	C15-16			
	1	base, hard, pale buff, 19g	shiny, mottled, orange glaze out	C18-19			
1 C3	1	base, hard, grey, sandy, 17g	thumbed, brown surfces, patchy green glaze below	C13	1	hard orange, 3g, orange glaze above, tile frag, C17-18	1 x clay pipe stem frag, discarded, 2g
	1	orange, sandy, brown grits, grey core, 22g	khaki-green glaze inside, speckled green glaze out over white slip over incised decoration with brown glaze	C14-15			
	1	hard, grey, dark grits, 16g	brown inner, dark green mottled glaze out	C15-16			
	1	oxidised, red grits, 2g	black outer, orange glaze inner, trailed yellow slip	C17-18			
1 C4	1	oxidised, sandy, 1g	brown glaze inner, yellow-brown glaze out, scraffito ware	C17-18			
	1	oxidised, 2g	inner light brown glaze	C17-18			
1 C5	1	hard, grey, small quartz, 2g	orange surfaces, green-brown glaze inside	?C16-17			
	1	small coarseware, reduced, <1g	reduced	n.d.			
1 C6	1	coarseware, pale grey with limestone, some quartz, 9g	reduced outer, small voids	C10-11			1 x animal tooth, 5g
	1	coarseware, grey, sandy, grit and quartz, 40g	orange inner, sooty, brown outer, sooty, voids	C10-11			1 x Pb object, disc, 25-29mm diameter, c.6mm thick with central hole c.9mm diameter, 31g
	1	coarseware, grey, quartz and grits, 5g	oxidised, small voids	C10-11			1 x Fe nail, 5g
1 C7	1	hard, grey, grey grits, 4g	oxisided inner, green/brown glaze out	C16	1	clear glass, modern, discarded, <1g	1 x clay pipe stem frag, discarded, 2g
1 C8						1 x large, cortical, flint flake, blue-grey, 8g	

context	{ pottery }				{ building materials }		miscellaneous
	qty	fabric & weight	surface	century	qty	description	
1 north U/S	1	grey, fine white grits, brown margins, 3g	grey	C1-4			
Tr.1 Unstratified, machining							
1 U/S M	1	rim, light grey, small grits, 12g	pale oxidised, small voids	C10			1 x flower pot, discarded, 8g
	5	various coarsewares, 26g		C11-15			
	5	various glazed wares, 36g		C13-17			
	2	Joining rims, smooth, fine, dark grey, hard, 6g, 2g	dark grey	?C16			
	1	hard, dark grey, smooth, 11g	splashes of black glaze outside	?C16-17			
	1	pale cream, hard, 49g	mottled orange, stoneware	C16-17			
	1	base, hard, cream, 40g	yellow glaze	C19			
U/S M north	7	coarsewares, reduced, 15g		C12-14			
	1	dark grey, fine quartz, small grits, 14g	brown outer, rough yellow/green glaze inside	C12-13			
	5	various fabrics, 67g	various green glazes	C14-16			
	5	various fabrics, 58g	various orange or brown glazes	C16-18			
	1	stoneware, cream, 27g	cream inner, mottled brown out	C16-18			
	2	oxidised, earthenware, 4g	flowerpot - discarded	modern			
TRENCH 2							
207	2	coarsewares, reduced, various types, 5g, 3g		C11-13			3 x small animal bones, 4g
210	1	small, black, quartz, 3g	?Black Burnished Ware?	?C1-4	1	clay tile frag, oxidised, grey core, some limestone, c.13mm thick. 66g, n.d.	5 x animal bones and teeth, 51g
	1	small, grey, limestone temper, 2g	brown inner, voids	C10-11	4	small brick frags, discarded, 52g	3 x clay pipe stems, discarded, 4g
	3	various coarseware types, 6g, 5g, 5g		C10-14		various stones, discarded, 20g	1 x frag clay pipe bowl, discarded, 1g

context	{ _____ pottery _____ }				{ _ building materials _ }		miscellaneous
	qty	fabric & weight	surface	century	qty	description	
210 cont.	1	rim, dark grey, some quartz, 14g	brown inner, sooty outer	C12-14			1 x oyster, 23g
	1	orange, 7g	khaki glaze inside	C16-18			
	2	white, factory, 11g, 4g	white/blue - discarded	C19			
211 Top	1	rim, coarseware, dark grey, limestone and grits, orange margins, 62g	orange, surface voids	C10-11			
	1	base, grey, limestone and quartz, 7g	black inner, brown outer	C10-12			
	1	coarseware, 13g		C10-12			
	1	rim and handle, hard, grey, sandy, 38g	thick green glaze outside	C12-13			
211A	1	rim, small sherd, grey with grits and quartz, white margins, 6g	reduced	C12-14			21 x animal bone and teeth, 98g
	1	coarseware, grey with large limestone, 2g	oxidised, combed decoration	C12-13			14 x various stones, 88g
	22	various coarseware types, 121g	various	C10-14			1 x smal frag fired clay, 2g
211B	1	rim, light grey, grit temper up to 3mm, 12g	reduced, sooty outside	C10-12			25 x animal bones and teeth, 131g
	2	coarsewares, reduced, grit temper, 7g, 3g	surface voids	C10-12			1 x small fired clay, 2g 8 x various stones, 225g
	20	various coarseware types, reduced,	various, 95g	C10-14			7 x charcoal frags, 5g
211C	1	rim, grey, sandy, small quartz and grit, orange margins, 17g	black skin, small voids	C10-12			17 x animal bones, 112g
	1	rim, hard grey fab, limestone and grey grits up to 3mm, 35g	brown inner, black and brown outer, voids	C10-12			3 x various limestones, 1 burnt, 95g, 35g, 13g
	1	base, grey, limestone and brown grits, 13g	brown skin	C10-12			1 x hard, grey stone, micaceous, 7g
	17	various coarseware types, reduced, 110g	various	C10-12			1 x fired clay frag, 2g
	1	coarseware, grey, quartz, grit and limestone, 29g	patchy, dull green glaze out	C11-12			3 x slag frags, 22g, 10g, 9g plus 1 x charcoal frag, <1g

GBT 05

context	{ pottery }				{ building materials }		miscellaneous
	qty	fabric & weight	surface	century	qty	description	
211D	1	rim, hard grey fab, quartz and grits, 18g	oxidised, gritty, some voids	C10-11			3 x animal bones, 58g
	1	rim, hard grey, quartz and black grits up to 3mm, 10g	rough, black	C10-11			1 x burnt limestone, 8g
	2	coarsewares, reduced, limestone and grits, 5g, 2g	rough, black	C10-11			1 x fired clay frag, 3g
	1	coarseware, reduced, sandy, fine limestone and quartz, 2g	brown surfaces	C12-13			
211E	3	black, fine quartz, 4g, 3g, 2g	?Black Burnished Ware	?C1-4			15 x animal bones and teeth, 136g
	1	rim, grey, abundant limestone, 14g	black, gritty	C11-12			1 x burnt bone, 1g
	17	various coarseware types, reduced, 131g	various	C10-12			4 x small stones, various types, 16g
211F	1	small sh, fine quartz, 2g	?Black Burnished Ware	?C1-4			16 x small animal bones, 132g
	11	various coarseware types, reduced, 47g	various	C10-12			1 x burnt bone, 3g
							1 x fired clay frag, 3g
211G	1	rim, light grey, fine limestone temper, 8g	oxidised, small voids	C10-12			15 x small animal bones, 50g
	12	various coarseware types, reduced, 50g	various	C10-12			2 x calcined bones, 4g
							1 x pale grey, light, slag, 23g
							1 x ?iron stone, heavy, red and black, 7g
							1 x burnt stone, off-white, 13g
							1 x burnt limestone, 27g
							1 x fired clay, 1g
							1 x charcoal, <1g
211H	7	coarsewares, various types, reduced, 39g	various	C10-11			5 x animal bones, 22g 1 x charcoal, <1g

GBT 05

context	{ pottery }				{ building materials }		miscellaneous
	qty	fabric & weight	surface	century	qty	description	
211J Base	1	small, rim, hard grey, quartz and grits, 2g	brown inner, dark brown outer	C11			1 x animal bone, 1g
	2	coarsewares, reduced, quartz, 5g, 2g	brown, gritty	C11			1 x burnt stone, 8g
211K	4	coarsewares, various types, reduced, 6g, 3g, 3g, 1g	various	C11-12			5 x small animal bones and teeth, 14g and 1 x animal bone 44g
					1	small burnt stone, 8g	1 x FLINT, dark grey, <1g
							1 x fired clay, 2g
211K Base	1	coarseware, grey, limestone and small grits, 8g	buff outer, brown inner, voids, slightly soapy	C10-11			1 x animal bone 9g
	1	coarseware, reduced, 2g	reduced	n.d.			
215	1	rim, light grey, abundant quartz and grits up to 4mm, 14g	reduced inner, brown outer, gritty	C12-13			10 x small animal bones and teeth, 25g
	4	various coarseware types, reduced, 17g		C11-13			1 x green slag, lightweight, 5g
							1 x burnt limestone, 5g
216	1	dark grey, quartz and grits, 8g	reduced	C10-12			1 x slag, heavy, brown and black vitreous material, 32g
217A	1	rim, grey, limestone and grits, 10g	light brown, smooth, small voids	C10-11			8 x small animal bones, 28g
	1	rim, grey, fine limestone and grits, 10g	orange-brown	C11	1	brick or tile frag, hard orange, ?modern, 6g	1 x off-white, dense shelly, limestone, 6g
	4	coarsewares, various types, 11g		C11-13			1 x burnt limestone, 96g
	1	hard orange, 1g	orange glaze out	C16-17?			
217B	1	rim, hard grey, limestone and grey grits, 11g	black, spots of ?clear glaze inside	C13-14		1 lump of white lime, 10g	1 x Silver Coin, 23mm diameter, 2g Roger II of Sicily, mid-12th C. SF 25
	11	various coarseware types, reduced, 49g		C11-14		1 pale yellow limestone with fossils, 25g	1 x large animal bone 411g
						1 x white, dense shelly, limestone, 13g	13 x animal bones and teeth, 72g

GBT 05

context	{ pottery }				{ building materials }		miscellaneous
	qty	fabric & weight	surface	century	qty	description	
217C	11	small coarsewares, various types, 36g		C11-14			24 x small frags animal bone, 96g 1 x calcined bone, 1g
217D	1	rim, reduced, quartz and grit, 5g	sooty outside	C12-14	1	fired clay or brick, ?modern, 2g	9 x small frags animal bone, 20g
	6	coarsewares, various types, reduced, 38g		C11-13			1 x grey slag, 9g 1 x dark grey, tap slag, 1g 5 x various stones, some burnt, 103g
217E	1	rim, grey, quartz, 6g	oxidised outer, gritty	C11-13			9 x small frags animal bone, 50g
	16	coarsewares, various types, reduced, 102g		C11-14			7 x various stones, some burnt, 39g
	1	very small sherd, oxidised, <1g	patchy green glaze over white slip	C13			
217F	7	coarsewares, various types, reduced, 39g		C11-13			6 x small frags animal bone, 29g
	1	pale, reduced, sandy, 3g	oxidised, patchy clear glaze outside	C12-13			1 x Fe object, 9g
217G	4	coarsewares, reduced, limestone and grits, 10g, 6g, 4g, 2g	oxidised, small voids	C10-11			6 x animal bones and teeth, 32g
	4	coarsewares, reduced, quartz and grits, 13g	reduced	C11-13			3 x various stones, 21g
217H	1	rim, orange-brown, limestone and grits, 22g	oxidised, soapy, some voids	C11			8 x animal bones, 57g
	3	small coarsewares, reduced, 8g		C10-12			8 x various limestones, 272g
217I	3	small coarsewares, reduced, quartz and limestone, 9g		C11-12			3 x animal bones, 82g
217J	1	small coarseware, pale grey, 2g	oxidised outer	C11			3 x small animal bones, 11g
							1 x small Fe object, strip, 4g
							1 x lias stone, ?burnt, 80g

context	{ _____ pottery _____ }				{ _ building materials _ }		miscellaneous
	qty	fabric & weight	surface	century	qty	description	
Tr.2 Cleaning Bags and Unstratified							
Tr 2 C1	3	various coarseware types, reduced, 14g		C11-12			
2 C2	2	coarsewares, reduced, 12g, 3g	sooty exteriors	C12-13			
2 C3	1	rim, grey, sandy, quartz and grits, 34g	oxidised gritty surfaces, partly reduced outside	C12-13			
2 C4	1	coarseware, grey, sandy, 5g	oxidised, micaceous, sooty outside	C12-14			1 x Fe object, 9g
2 C5	1	coarseware, dark grey, quartz temper, 6g	brown outer surface	C12-13			
2 C6	2	coarsewares, reduced, 8g		C12-13			
2 C7	1	small rim frag, reduced, quartz and grits, 3g	reduced, gritty	C11-12			
	1	coarseware, grey, quartz and grits, 3g	oxidised with large frag of ?Fe (10mm diameter) in fabric and surface, micaceous	C12-14			
	1	earthenware, 3g	flowerpot - discarded	modern			
2 C8	2	base, joining frags, grey with abundant limestone, 11g	brown inner, small voids	C10-12			
2 C9	1	pale grey, sandy, brown grits, 8g	smooth, oxidised inner, khaki green glaze out	C13-14			1 x stone, smooth, striated, soft, ?talc or similar? 7g
							1 x Fe nail, 5g
2 C10	3	coarsewares, various types, 9g		C12-14			
2 C11	3	coarsewares, various types, 8g		C11-13			1 x frag fired clay or daub, 18g
Tr.2 Unstratified Machining							
2 U/S M	8	various coarsewares, reduced, 84g		C11-13			
	1	pale grey, gritty, 3g	gritty green glaze out	C12-13			
	1	hard, grey, sandy, smooth, 7g	pale oxidised inner, dull green glaze out	C13-14			

context	{ pottery }				{ building materials }		miscellaneous
	qty	fabric & weight	surface	century	qty	description	
TRENCH 3							
305	7	coursewares, reduced, 41g	oxidised and reduced with small voids	C10-11	1	tile frag, hard, reddish-orange, ?nail hole, c.20mm thick, 70g	1 x Fe object, c.135mm long, oblong in section, pointed end, 76g and x
	9	coursewares, various types, reduced, 57g		C11-12	1	Fe nail frag, 70mm+ long, 20g	1 x Fe object, 12g
							34 x frags animal bone and teeth, 343g
							5 x frags slag, various types, 43g, 13g, 11g, 9g, 4g
306	1	rim, small, black with dense quartz, 2g	Black Burnished Ware	C1-4	1	pale, off-white, ?mortar, cylindrical, darker surface, c.20mm diameter, 3g	53 x animal bones and teeth, 531g
	1	pale grey, limestone, 10g	pale oxidised surface inside	C10			17 x frags Fe slag, 449g
	1	coarseware, black, 1g	brown	C10-11			1 x Fe object, 7g
	4	coursewares, various types, reduced, 17g		C11-13			1 x fired clay frag, reduced, 8g
							1 x charcoal, <1g
							1 x liast stone frag, burnt pink in places, 488g
							1 x burnt, fossiliferous limestone, ?Bath stone, 85g
308	1	rim or edge sherd, pale grey, small quartz, orange margins, 14g	reduced surfaces with small voids	C10-11			1 x animal bone, 17g 1 x animal jaw bone, 45g 1 x jaw bone with tusk, 17g
	4	coursewares, various types, reduced, 18g		C10-11			1 x frag vitreous slag, 34g

GBT 05

context	{ _____ pottery _____ }				{ _ building materials _ }		miscellaneous
	qty	fabric & weight	surface	century	qty	description	
308 cont.							1 x grey/green slag, <1g
							1 x Fe slag, 8g
309	1	grey, sandy, small black grits, fine quartz, 3g	oxidised, micaceous, sooty outside	C13-14			1 x small FLINT, brown, patinated, 1g
							3 x animal bones, 11g
							1 x small frag black slag, 3g
							1 x burnt limestone, 29g
311	1	small, thin, grey, white margins, 1g	grey, micaceous	C1-4			1 x FLINT flake, grey, <1g
	1	coarseware, dark grey with abundant limestone, some quartz, 36g	brown, gritty	C11-12			29 x animal bones and teeth, 292g
	1	coarseware, oxidised and reduced, limestone temper and small black grits, 9g	oxidised, pitted interior, 3 x lines of combed decoration outside	C11-12			
	8	coarsewares, various types, reduced, 33g		C11-12			
312	1	coarseware, orange/brown, small voids, some limestone, 5g	buff outer and orange inner, small voids, thumb impressions from back to front of body	C10			1 x animal bone, 4g
	1	rim, grey, limestone and grits, light brown margins, 8g	black inner and brown outer surfaces	C11			
	1	pale grey, small voids, small black grits, 3g	brown outer	C11-12			
313	1	small, thin, soft orange with pale grey core, <1g	orange	C1-4		1 x fine grained, sandy limestone, ?burnt, 38g	2 x animal bones, 6gb
						1 x lias stone frag, 5g	1 x fired clay, 5g
						1 x local orange sandstone, 9g	2 x concretions, ?iron pan/?worm casts/?root casts, 3g, 4g

context	{ _____ pottery _____ }				{ _ building materials _ }		miscellaneous
	qty	fabric & weight	surface	century	qty	description	
319	1	coarseware, reduced, small quartz, brown inner margin, 1g	clear glaze	C12-13			6 x small frags animal bone, 8g
	10	coarsewares, varioius types, reduced, 31g		C12-14			3 x frags of porous, grey-green slag, lightweight, 5g
	1	base frag, hard, oxidised, grey core, sandy, 17g	sooty exterior, gritty, clear glaze inside	?C13-14			1 x black slag frag, 38g
320	2	coarsewares, reduced, quartz temper,	reduced 2g, 2g	C12-14			1 x frag fired clay, 7g
321	2	coarsewares, reduced, quartz temper, some limestone, 9g, 4g	reduced	C10-11			1 x animal bone, 3g
	1	light grey, sandy, grey grits, 2g	partly oxidised outside, spots of dull green glaze	C12			1 x frag fired clay, 1g
323	3	coarsewares, reduced, limestone and quartz, 10g	surface voids	C10-11			24 x animal bone and teeth, 278g
	1	rim, hard grey, quartz, some fine limestone, 10g	reduced	C10-12			1 x frag of carved bone - bands of horizontal incised lines, 6g
324	1	small, smooth grey, sandy, 2g	grey sandy	?C1-4			2 x animal bones, 8g
							1 x small burnt stone, 2g
325							1 x cortical FLINT flake, dark grey, 1g
							7 x frags animal bones and teeth, 16g
							1 x burnt stone, 1g
							1 x charcoal frag, <1g
326							1 x animal bone, 1g
							1 x blue lias stone frag, discarded, 1g
329 surface	2	coarsewares, reduced, sandy fabrics, 16g, 4g		C12-14			
329	6	various coarsewares, reduced, 17g	reduced	C11-13			7 x animal bones and teeth, 23g

context	{ pottery }				{ building materials }		miscellaneous
	qty	fabric & weight	surface	century	qty	description	
	1	rim, dark grey, sandy, quartz, 15g	orange, sandy	C12-14			1 x smooth, burnt bone, 6g 1 x Fe slag, 15g
331A	1	rim, hard grey, limestone and grits, 8g	brown, gritty	C11			1 x small frag brown ?chert, <1g
332	2	coarsewares, dark grey, limestone, 10g, 6g	reduced	C10-11		1 x blue lias frag, discarded, 21g	4 x large animal bones, 194g, 85g, 44g, 16g
	1	coarseware, reduced, gritty, 2g	sooty outside	C12-14			17 x animal bones, 59g
						1 x smooth, heavy, light-brown limestone, ?burnt, 351g	1 x frag black, vitreous slag, 9g
332 base							1 x pale, quartzitic limestone, 76g 1 x large animal bone, 200g
333	1	coarseware, reduced, limestone temper, 1g	brown inner surface	C12-14	1	small burnt limestone, 5g	1 x FLINT flake, pale grey, patinated, 4g 11 x animal bone, 20g 1 x fired clay, 9g 2 x small fired clay, <1g 1 x black slag, 3g
335	1	base, smooth, grey, small black grits,	brown, abraded surfaces 12g	?C1-4			4 x animal bones, 25g
	4	coarsewares, reduced, abundant limestone and grit, 31g	gritty surfaces	C11-12			1 x lump of white lime, 59g
337	1	black, quartz, 5g	?Black Burnished Ware	?C1-4			1 x fired clay frag, 5g
	2	coarsewares, reduced, 7g	oxidised	C12-14			
	1	fine, sandy, 3g	sandy, oxidised, clear glaze outside	C13-14			
	1	grey, sandy, 3g	sandy, oxidised, clear glaze outside	C13-14			
	1	very hard, dark grey, fine grits, some fine limestone, 44g	patchy, thick, dark green glaze outside and over break, fluted base - WASTER	C13-15			

context	{ pottery }				{ building materials }		miscellaneous
	qty	fabric & weight	surface	century	qty	description	
338	1	fine, sandy, pale grey, 1g	grey, micaceous	?C1-4			6 x animal bones, 13g
	1	grey, hard, limestone and grits, 9g	oxidised outer	C11-13			1 x fired clay, 2g
	5	small, coarsewares, reduced, various types, 10g	various	C11-13			1 x small frag of grey and red slag, 2g
							1 x small, burnt bone, <1g
342	1	pale, oxidised and reduced, smooth, 2g	smooth, oxidised	?C1-4			1 x animal bone, 6g
	2	small coarsewares, reduced, 3g		C12-14			
Tr.3 Cleaning Bags							
Tr 3 C1	1	coarseware, grey, limestone, 3g	oxidised inner, sooty outer	C13-14			
	1	grey, sandy, c.20mm thick, 7g	?pottery or ?stone	n.d.			
3 C2	3	coarsewares, reduced, various, limestone, 10g		C10-12			
3 C3	1	rim, grey, sandy, 9g	pale oxidised inside, milky-green, gritty glaze out	C12-13			
3 C4	1	coarseware, reduced, grit and quartz, brown margins, 12g	reduced, sooty outside	C12-14			
3 C5	4	coarsewares, reduced, various types, 9g, 7g, 5g and 1g		C11-12			
3 C6	1	coarseware, reduced, gritty, quartz temper, 6g	oxidised, gritty	C12-14			2 x lumps Fe slag, 205g, 4g
							1 x burnt stone, 2g
3 C7	1	coarseware, hard, reduced, abundant quartz, 8g	brown outer, small voids	C11-12			
3 C9	1	oxidised, light grey core, small quartz, 4g	gritty, small voids	C10-12			
3 C10	2	coarsewares, reduced, various types, 3g, 2g		C11-12			
3 C11	1	coarseware, reduced, quartz, 3g	reduced	C11-13			
Tr.3 Unstratified Machining							
U/S M E east	7	coarsewares, reduced, various types, 33g		C10-14			
	1	rim, hard, sandy, oxidised inner, reduced outer, 12g	brown, sandy, micaceous	C14-15			
	1	oxidised, earthenware, 4g	probably flowerpot	modern			

GBT 05

context	{ pottery }				{ building materials }		miscellaneous
	qty	fabric & weight	surface	century	qty	description	
U/S M general	1	coarseware, 8-10mm thick, reduced, hard, quartz and limestone, some grog, 31g	orange, many voids, incised lines decoration	C10-11			
	2	coarsewares, reduced, various types, 26g, 21g	surface voids	C10-11			
	1	rim, reduced, abundant quartz, 13g	gritty	C12-13			
	5	coarsewares, various, reduced, 24g		C11-14			
	1	reduced, sandy, yg	pale oxidised inner, speckled green glaze out	C13-14			
	1	hard, smooth, grey, sparse white grits, 3g	smooth green glaze, applied decoration, yellow strips	C14-16			
	1	base frag, oxidised, sandy, grey core, 16g	patchy orange glaze out	C14-15			
	1	rim, oxidised, sandy, pale grey core, 10g	oxidised	?C17-18			
TRENCH 4							
407	1	base frag, pale buff, small black grits, 31g	yellow glaze	C19-20			1 x ?cardboard, blue surface, <1g C19-20
	1	hard brown, 8g	shiny brown glaze	C19-20			
	1	earthenware, 13g	?flowerpot	C19-20			
409	1	oxidised, sandy, 3g	inner light brown glaze	C18			6 x animal bones, 22g
							3 x small frags slag, 8g
							1 x ?burnt, stone
411	1	coarseware, hard, oxidised, limestone, 9g	black inner, brown out	C11-12	1	roof slate frag, 28g, discarded	1 x animal bone, 12g
	1	coarseware, hard, pale grey, sandy, 9g	sandy	C13-15	1	brick frag, hard, reddish-orange, red and grey grits, 156g, C19	1 x small Fe frag, 5g, discarded
	1	hard, pale grey, sandy 4g	oxidised inner, speckled, shiny, green and yellow-green glaze inside	C13-15	9	small ceramic brick and tile fragments, 27g, discarded	6 x local limestone and sandstone frags, 37g, discarded,
	1	oxidised, sandy, grey core, 12g	dull khaki glaze out	C16-17			
	1	oxidised, sandy, 2g	shiny khaki glaze out	C16-17			

context	{ _____ pottery _____ }				{ _ building materials _ }		miscellaneous
	qty	fabric & weight	surface	century	qty	description	
411 cont.	1	rim, hard, orange, 39g	gritty brown glaze inside	C18-19			
	11	oxidised, various types, 154g	orange and brown glazes	C18-19			
	1	cream, stoneware, 76g	light brown outer, discarded	C19			
	1	factory white, 2g	white, discarded	C19			
413	1	rim,, hard, cream, striations, 21g	Bristol/Staffs ware, scalloped edge	C17-18			
415	1	rim, oxidised, sandy, 13g	inner shiny orange glaze, white piped decoration	C17-18			3 x animal bones and teeth, 19g
	1	hard, oxidised, grey core, 11g	green-brown shiny hglaze out, patchy clear glaze inside	C17-18			large fragment of fired clay, 54g
421	1	base, oxidised, 24g	brown outer with patchy glaze, smooth, light brown glaze inside	C17-18			
Tr.4 Cleaning Bags							
Tr 4 C1	1	grey, gritty, sandy, 15g	oxidised inner with grith grooves, green glaze out with black, iron-rich bands	C14-16			
4 C2	1	hard, buff-yellow, pierced, 6g	shiny clear glaze - yellow	C19			
Tr.4 Unstratified and Spoil Heap							
4 U/S	1	coarseware, black, fine limestone, 5g	black skin inside, voids	C10			1 x small FLINT flake, brown, <1g
	1	rim, dark grey, abundant small limestone, brown margins, 13g	black skin, small voids	C10-11			
	6	coarsewares, reduced, various types, 53g		C11-14			
	4	various oxidised fabrics, 45g	various glazes	C16-18			
TRENCH 5							
Cleaning Bags All from [501]							
Tr 5 C1							1 x FLINT, blade, c.60mm long, dark brown, 4g
5 C2	1	rim, hard, oxidised, sandy, grey core, 18g	yellow glaze, scraffito decoration	C17-18			
	1	hard, sandy, oxidised, 18g	brown inner, shiny dark green glaze	C17-18			

GBT 05

context	{ _____ pottery _____ }				{ __building materials __ }		miscellaneous
	qty	fabric & weight	surface	century	qty	description	
5 C3					1	Fe nail, 15g, discarded	x
5 C4	1	coarseware, dark grey, quartz and grits, 6g	black	C12-14			
5 C5	1	hard, grey, oxidised outer margin, 7g	reduced, patchy green glaze out, brownish green glaze in	C16-17			
Area 6							
605	2	small coarsewares, various types. 6g		11-14th	3	brick/ tile frags. 61g. C17-18th	9 x small bone frags. 16g
	3	small coarsewares, various types. 11g		12-14th	1	roof slate frags. 12g	1 x Fe nail frag. 6g
	5	small glazed wares, various types. 14g		14-16th			1 x Fe slag. 90g
	1	hard orange. 43g	inner light brown & dark brown glaze	?16-17th			7 x slag, various types. 36g
	1	small Delft ware type. <1g		17-18th			3 x small slag & cinder. 5g
	1	small oxidised. 2g	yellow & brown glaze	17-18th			1 x Pb run - off. 91g
							6 x fired clay/ tile. 10g 1 x small coal frag. <1g
605 A							1 x small bone. 1g
							1 x black slag. 1g
							1 x small coal frag. 1g
606 Top 5cms	6	coarsewares, reduced, various types. 27g		11-12th			9 x small bone frags. 24g
606 Sondage 5-10cm	1	Rim, reduced, limestone temper. 5g	brown surfaces	10-12th			11 x bone frags & teeth. 74g
	25	coarsewares, reduced, various types. 180g		10-12th			1 x Fe object. 25g
	1	Rim, reduced, quartz temper. 8g DWG 72	dark brown surfaces	11-12th			1 x large slag. 136g
	1	coarseware, reduced, sandy. 32g	brown surfaces	12-13th			6 x slag. 25g
	1	brown, grey core, sandy. 8g	splashes of clear glaze	12-13th			

context	{ _____ pottery _____ }				{ _ building materials _ }		miscellaneous
	qty	fabric & weight	surface	century	qty	description	
606 Around Fe Pan	4	small coarseware, reduced, various types. 6g, 3g, 1g, 1g		11-14th	1	lump of ?white lime. 12g	4 x small bone & tooth frags 13g
	1	pale reduced. 5g	olive green glaze	13-15th			13 x Fe frags. 50g
	1	Rim, Bristol/ Staffs. 2g		17-18th			1 x coal frag. 2g
606	4	coarsewares, reduced with limestone temper. 32g	oxidised or reduced surfaces	10-12th			10 x bone & teeth frags. 23g
	8	small sherds, reduced, various types, quartz temper, some with limestone temper. 27g	oxidised surfaces	10-12th			1 x burnt bone. 6g
	1	Rim, 'pie crust', grey, abundant white quartz temper. 20g	oxidised surfaces	11-12th			5 x slag. 31g
	14	coarsewares, mostly reduced, various types. 49g		11-14th			
	1	coarseware, grey, sandy. 8g	oxidised outer surface below patchy green glaze	12-13th			
	3	small reduced sherds, various types. 10g	various glazes	12-13th			
	1	Rim frag, grey sandy. 18g	brown outer surface	12-14th			
	1	Rim, pale grey, sandy. 10g	thumbed rim, light oxidised surfaces	12-14th			
	11	coarsewares, reduced, various types. 65g	reduced or oxidised surfaces	12-14th			
1	Rim, hard grey. 17g	smooth grey surfaces, micacious	13-14th				

context	{ _____ pottery _____ }				{ _ building materials _ }		miscellaneous
	qty	fabric & weight	surface	century	qty	description	
607	2	glazed wares, various types. 8g, 3g		13-14th	1	brick frag. discarded. 8g. C19-20th	2 x clay pipe stems. discarded. 2g, 2g. C18-19th
	1	blue transfer ware. 4g	discarded	18-19th			1 x brown bottle glass sherd. discarded. 12g. C18-19th
	1	oxidised. 12g	orange glaze	18-19th			1 x blue bottle glass sherd. discarded. 6g. C18-19th
							1 x tin foil bottle top. discarded. <1g. C20th
							1 x tennis ball. discarded. 79g. C20th
608	1	small sherd, greyware, fine. 1g		1st - 4th	1	ceramic roof tile, oxidised, limestone temper. 95g. C13-15th	9 x bone frags. 43g
	1	coarseware, reduced, lime stone temper. 4g	brown surfaces, voids	10th	1	ceramic tile frag, oxidised, limestone temper, khaki glaze. 77g. C13-15th	4 x Fe slag. 63g
	7	coarsewares, reduced, various types. 17g		10-12th	1	ceramic tile frag, grey fabric, limestone temper, oxidised surfaces, clear glaze. 80g. C13-15th	12 x slag. 191g
	5	coarsewares, various types. 36g		11-13th	1	Lias stone roof tile with peg hole. 156g	11 x fired clay frags. 62g
	14	coarsewares, various types. 46g		11-14th	1	stone roof tile, sandy limestone, burnt. 431g	1 x yellow limestone frag, ?white mortar attached. 10g

context	{ _____ pottery _____ }				{ _ building materials _ }		miscellaneous
	qty	fabric & weight	surface	century	qty	description	
608 cont.	7	glazed wares, various types. 36g	various glazes, wasters	11-13th			1 x carved bone frag. 3g. SF-17 - Dwg 158
	1	Rim, coarseware, dark grey. 10g. DWG 103	light brown surfaces, micacious	12-14th			
	1	Rim, coarseware, reduced. 14g. DWG 128	sandy, grey - brown surfaces, gently scalloped rim	13-14th			
	1	Rim, hard grey sandy. 7g	smooth brown surfaces	13-14th			
	1	Strap Handle, hard reduced. 80g. DWG 133	oxidised surfaces, khaki - green glaze, stabbed decoration	13-14th			
	1	earthenware. 6g	applied decoration, pre-glaze, waster	13-14th			
	1	oxidised, grog temper. 7g		13-14th			
	13	glazed wares, various types. 63g	glazed	13-14th			
609	1	Rim, reduced, limestone temper, brown margins. 16g. DWG 22	black outer surface	10-11th			21 x bone frags 174g
	17	coarsewares, reduced, various types, mostly limestone temper. 127g		10-11th			1 x red limestone frag. 14g
	2	coarsewares, reduced, quartz & grit temper. 7g, 4g	oxidised surfaces	11-14th			1 x fine grey limestone frag. 7g
610	6	coarsewares, reduced, various types. 80g		10-12th	1	ceramic tile frags, oxidised fabric, c.17mm. 26g	37 x bone frags 596g
	1	Rim, grey, limestone temper. 7g	brown outer surface	11-12th	1	hard red sandy limestone ?carved tile? c.22cm thick. 85g	
	9	coarsewares, reduced, various types, mostly limestone tempers. 134g		11-12th			

context	{ _____ pottery _____ }				{ _ building materials _ }		miscellaneous
	qty	fabric & weight	surface	century	qty	description	
613 Upper Fill	1	Rim, oxidised, grey core, limestone temper. 20g. DWG 15	small surface voids	10-11th			16 x bone frags 115g
	1	Rim, reduced, limestone temper. 28g. DWG 14	pale oxidised outer surface	10-11th			
	5	coarsewares, reduced, various types. 34g		10-11th			
613	1	Rim, grey, abundant limestone temper. 107g. DWG 18	pale grey inner surface, buff - grey outer surfaces	10-11th	3	ceramic tile frags, oxidised. 112g, 46g, 33g	112 x bone frags. 2,716g
	1	Rim, black, abundant limestone temper with some ?grog?. 81g. DWG 16	pale oxidised patches on the neck	10-11th			3 x oyster frags. 20g
	1	Rim, black, abundant limestone temper, orange margins. 59g. DWG 17	reduced surfaces	10-11th			1 x Fe nail. 11g
	1	Rim, dark grey, abundant limestone temper. 22g. DWG 19	orange - brown outer surface	10-11th			1 x pale grey - green micaceous limestone. 41g
	2	coarsewares, reduced, grey grits & quartz temper. 15g, 19g	brown surfaces, small voids	10-11th			1 x small frag, hard fine ?sandstone with smooth surfaces. 17g
	1	coarseware, reduced, limestone temper. 5g	brown outer surface, small voids	10-11th			1 x cortical FLINT lump, white, heat crazed. 10g
	7	coarsewares, reduced & oxidised, limestone & grit tempers. 188g		10-11th			1 x cortical FLINT flake, dark blue. 3g
	1	Rim, dark grey, quart & black grit temper. 13g	oxidised patches on the surface	10-12th			
	1	Rim, black, limestone temper, voids. 15g	brown surfaces	10-12th			

context	{ _____ pottery _____ }				{ _ building materials _ }		miscellaneous
	qty	fabric & weight	surface	century	qty	description	
613 cont.	1	coarseware, grey, limestone temper. 18g	brown outer surface with 2 x inscribed lines	10-12th			
	1	dark grey, limestone temper. 18g	brown surfaces	10-12th			
	46	coarsewares, various types. 750g		10-12th			
	1	Rim, black, abundant limestone temper. 14g. DWG 73		11-12th			
	3	coarsewares, black, abundant limestone temper. 26g	rough, horizontal incised lines outside	11-12th			
	1	black, limestone & quartz temper. 9g	brown inner surface	11-12th			
	32	coarsewares, various types. 394g		11-12th			
	1	light grey, limestone temper. 9g	oxidised inner surface	11-12th			
	11	coarsewares, various types. 110g		11-13th			
	2	joining base frags, coarseware, black, limestone temper. 26g, 25g	brown gritty surfaces	12th			
	2	similar / same as above, coarsewares, black, limestone temper. 13g, 11g	brown gritty surfaces	12th			
	1	Rim, coarseware, reduced, limestone & grit temper. 18g. DWG 87		12-13th			
	1	Rim, grey, limestone & quartz temper. 16g. DWG 88	brown inner surface	12-13th			
	1	coarseware, reduced, limestone temper. 11g	black inner surface, brown outer	12-13th			
613 Base	1	Rim, reduced, small limestone grit & quartz temper. 114g. DWG 20	brown surfaces, some voids, sooty outer surface. SF - 3	10-11th			
613 West	8	coarsewares, various types, reduced, 51g		10-12th			9 x bone frags & teeth. 152g
	1	Rim, buff, limestone & small grey grit temper. 10g. DWG 99	pale oxidised inner surface, pale grey outer	12-14th			

context	{ _____ pottery _____ }				{ _building materials _ }		miscellaneous
	qty	fabric & weight	surface	century	qty	description	
615	1	coarseware, grey, limestone temper. 49g	oxidised surfaces, small voids	10th			8 x bone frags & teeth. 298g
	1	coarseware, black, limestone temper. 34g		10th			1 x red limestone. 84g
	1	Rim, grey, limestone & grit temper. 16g	light buff surfaces, small voids	10-11th			
	1	sherd, grey, frequent limestone temper. 25g. DWG 32	light brown inner surface with voids, orange outer surface with small voids. Line of Stamped Decoration outside, below rim. SF - 11	10-11th			
	1	Rim, grey, dark grey grits, limestone & grit temper. 16g	sooty outer surface	10-12th			
	1	coarseware, reduced, limestone & grit temper. 5g	brown surfaces	10-12th			
615 B	16	coarsewares, various types. 159g		10-12th			50 x bone & teeth. 880g
	7	coarsewares, reduced, various types, mostly limestone & grit tempers. 101g		10-12th			1 x slag. 9g
	1	Rim, grey, limestone & grit temper with some grog, orange margins. 5g	brown outer surface	11-12th			
	1	Rim, reduced, fine limestone & grit temper. 15g. DWG 74	brown surfaces	11-12th			
	9	coarsewares, various types. 70g		11-13th			
	1	Rim, reduced, small quartz & grit temper. 9g. DWG 93	light brown surfaces	12-13th			
615 C	1	coarseware, light grey, limestone temper. 34g	light oxidised surfaces	10th			21 x bone & teeth, including 1 x jawbone (370g) total weight = 747g

context	{ _____ pottery _____ }				{ _ building materials _ }		miscellaneous
	qty	fabric & weight	surface	century	qty	description	
615C cont.	1	coarseware, pink - orange, grey core limestone temper, voids. 17g	orange - brown surfaces with voids	10th			
	1	Rim, oxidised, pale grey core, limestone temper. 17g. DWG 24	surface voids	10-11th			
	2	coarsewares, same pot as above, reduced, limestone temper. 14g, 4g	oxidised inner surface	10-12th			
617	1	Rim frag, pink/ orange, some grog & grits. 9g. DWG 29	some surface voids	10-11th	1	ceramic ?roof tile frag, oxidised -orange? C12-14th?	95 x bone & teeth frags. 1,476g
	3	Rims, grey, some limestone temper, voids. 9g, 8g. DWG 30 = 9g		10-11th			3 x Fe nails 15g, 9g, 7g
	3	1 x Rim & 2 x sherds, reduced, limestone & grit temper. 35g, 23g, 4g	oxidised surfaces	10-12th			1 x large Fe slag / bun. 583g
	1	Rim frag, oxidised, grey core, limestone, grog & grit temper. 19g		10-12th			1 x Fe slag. 88g
	1	Rim, grey, quartz & grit temper. 21g	pale oxidised outer surface	10-12th			1 x fired clay. 18g
	1	base frag, dark grey, limestone & grit temper. 14g	oxidised inner surface	10-12th			1 x oyster frag. 6g
	1	base frag, grey, limestone & grit temper with some grog. 31g	oxidised surfaces	10-12th			1 x Cu alloy buckle. 34g. SF-4 - Dwg 153
617 Cont.	2	coarsewares, reduced, limestone & grit temper. 52g		10-11th			1 x Fe object staple or a lynch pin. 15g. SF-5, Dwg 155
	2	coarsewares, reduced, limestone & grit temper. 47g	brown surfaces	10-12th			
	37	coarsewares, reduced, various types, mostly with limestone & grit temper. 443g		10-12th			

context	{ _____ pottery _____ }				{ _ building materials _ }		miscellaneous
	qty	fabric & weight	surface	century	qty	description	
617 cont.	4	small coarsewares, reduced, various types. 12g		11-13th			
	9	coarsewares, reduced, limestone & grit temper. 113g	oxidised or reduced surfaces	12-14th			
619	1	oxidised. 3g	red slip, ?RB colourcoat	?1st-4th			73 x small bone frags. 188g
	2	coarsewares, reduced, various types. 10g		11-13th			1 x Fe rod / bar. 41g
	1	hard, reduced, thin. 4g	brown outer surface, ?clear glaze	?13-15th			
	1	oxidised. 7g	khaki brown glazed outer surface	14-16th			
	1	oxidised. 13g	inner orange glaze	17th			
622	9	small coarsewares, reduced, various types. 25g		12-14th	1	small window glass frag, patinated. <1g	69 x bone frags 496g
	1	?coarseware, very hard, reduced, fine limestone temper. 7g	brown surfaces	12-14th	2	ceramic tile frags. 4g, 2g. ?Modern	3 x Fe nails. 10g, 8g, 4g
	2	small glazed wares. 2g	glazed surfaces	12-14th	10	lime mortar lumps. 58g	2 x black slag. 3g, 1g
	1	Rim, hard grey sandy. 3g	khaki green & light green glaze	13-14th	1	large frag, hard, off - white mortar & stone frags. 265g	4 x oyster shells. 69g, 38g, 7g, 8g,
	1	coarseware, reduced sandy. 15g	sandy brown surfaces, khaki green - brown glaze	13-15th	2	ceramic roof tile frags with mortar attached. 20g, 4g	1 x mussel shell frag. <1g
	1	handle frag, pale buff. 4g	pale yellow glaze with green spots	13-15th			1 x tarmac, discarded. 42g. Modern - intrusive
	1	small, reduced. <1g	spots of glaze on outer surface	13-15th			1 x small smooth light brown pebble. 12g
	2	hard grey. 20g	prominent rilling outside, brown patches on outer surface, stoneware type	?15-16th			1 x white limestone, dense, shelly, straight edge. 128g

context	{ _____ pottery _____ }				{ _ building materials _ }		miscellaneous
	qty	fabric & weight	surface	century	qty	description	
623	2	1 x base frag, 1 x sherd, grey, quartz & grit temper. 7g, 5g	oxidised surfaces, small voids	10-12th	1	roof slate frag. 5g	2 x bone frags. 10g
	1	base frag, fine light grey sandy. 8g	dark grey surfaces	12-14th			1 x oyster frag. 14g
624	1	oxidised sandy. 8g	inner khaki - green glaze	16-17th			3 x bone frags & tooth. 12g
	1	oxidised. 30g	inner brown glaze	17th			2 x Fe nails. 14g, 3g
	1	oxidised. 7g		n.d			1 x Fe fitting. 37g
							3 x Fe slag. 22g
625 Clean- ing	1	Rim, reduced, small quartz & grit temper. 12g. DWG 102	brown surfaces, burnt outer surface	12-14th			1 x FLINT flake - patinated. 5g
	3	coarsewares, reduced, various types. 24g		12-14th			
625	1	Rim, dark grey, limestone temper. 10g. DWG 21	brown surfaces	10-11th	1	brick/ tile frag. 13g	9 x bone frags 54g
	3	coarsewares, reduced, various types. 26g		11-13th	1	1 x window glass sherd, pale green. 1g. n.d	
	1	fine reduced. 1g	yellow - green glazes	14-16th			
	1	factory white ware. 3g	discarded	18-19th			
	4	2 x Rims & 2 x body sherds, oxidised, earthenware, flower pots. 15g		n.d			
626 Top	1	coarseware, grey sandy. 3g	pale oxidised sandy surfaces	13-15th			4 x bone frags. 50g
	1	sherd, hard smooth grey. 37g	grey grits, outer applied piping decoration below Pb glaze	14-15th			1 x threaded Fe bolt & nut. 16g. Assumed to be Modern and intrusive
							2 x slag. 13g
							6 x scalplings in cement 37g. Modern - intrusive

context	{ _____ pottery _____ }				{ _building materials _ }		miscellaneous
	qty	fabric & weight	surface	century	qty	description	
628	1	coarseware, black, limestone & grit temper. 5g		10th			31 x bone frags. 568g
	1	Rim, grey, fine white grits & ?quartz. 47g. DWG 48	grey/ brown surfaces	10-12th			1 x calcined bone frag. 1g
	6	coarsewares; hard, light grey, quartz, white & brown grit & ?flint temper. 162g	grey - brown surfaces	10-12th			1 x burnt limestone. 71g
	1	coarseware, reduced. 6g	oxidised surfaces	11-13th			1 x FLINT flake - honey. 1g
628 A	1	base frag, oxidised. 47g	green glaze	16-18th			
	1	oxidised. 7g	khaki - green glaze	16-18th			
628 B	1	hard grey sandy. 27g	smooth brown inner surface, yellow - green glaze outside over wide incised bands	13-15th			
628 C	7	coarsewares, various types. 72g		10-12th			
	1	Rim, grey, grey grit temper. 17g	oxidised surfaces	11-12th			
629	4	small coarsewares, reduced, various types. 12g		12-14th			2 x bone. 2g
	1	oxidised. 1g		13-15th			1 x fired clay with a vitreous lump attached. 17g ?waster
							4 x fired clay. 10g

context	{ _____ pottery _____ }				{ _ building materials _ }		miscellaneous
	qty	fabric & weight	surface	century	qty	description	
630	1	Rim, reduced, limestone temper. 16g	brown outer surface, voids	10th	2	ceramic tile frags, oxidised fabric, limestone temper, brown glaze concretions, wasters . 167g, 81g. C13-14th	15 x bone & teeth. 131g
	12	coarsewares, various types. 75g		10-14th			2 x Fe nails 8g, 5g
	1	rim, coarseware, oxidised, grey core. 12g		12-14th			1 x dark blue to grey, shiny slag, vitreous. 8g
	10	coarsewares, various types. 44g		12-14th			5 x slag & lining. 34g
	1	rim, grey. 14g		13-14th			1 x fired clay frag with vitreous slag attached. 5g ?waster
	1	oxidised. 4g	mottled khaki green glazed outer surface	13-14th			10 x fired clay frags. 31g
	1	hard grey. 8g	green glaze, applied strips - waster	13-14th			1 x fired clay/ ceramic frag. 27g
	1	oxidised. 6g	green glaze - waster	13-14th			2 x charcoal. <1g
8	glazed wares, various types. 69g	probable wasters	13-14th				
630 A	1	coarseware, reduced, small limestone & quartz temper. 5g	oxidised surface, small voids	10-11th	1	ceramic tile, reduced fabric, limestone temper, green glaze, c.12mm thick, ?waster . 108g. C13-14th	12 x bone frags & teeth. 61g
	16	coarsewares, reduced, various types. 60g		12-14th	1	ceramic tile, reduced fabric, dark green glaze, c.22mm thick. 79g. C13-14th	13 x small slag frags. 41g

context	{ _____ pottery _____ }				{ _ building materials _ }		miscellaneous
	qty	fabric & weight	surface	century	qty	description	
630A cont.	1	Rim, oxidised, grey core. 6g DWG 96	white slip, clear glaze over impressed circle & dot decoration	13-14th			9 x fired clay frags. 31g
	1	small Rim frag, hard grey. 3g	oxidised surfaces, green glaze	13-14th			1 x hard sandstone, mauve. 8g
	1	small oxidised. <1g	brown glaze	13-14th			1 x hard sandstone, grey. 49g
	3	oxidised. 12g	wasters	13-14th			
	1	hard, reduced. 8g	crazed, dark green glaze, waster	13-14th			
	1	oxidised. 3g	gritty green glaze, waster	13-14th			
631	6	coarsewares, various types. 40g		10-14th	2	ceramic tile frags, oxidised fabric, limestone & grog temper, ? wasters . 95g, 26g. C13-14th	12 x bone frags. 65g
	1	Rim, coarseware, light grey, grey grit temper (not limestone). 9g	pale surfaces, micacious	12-13th	1	ceramic ?tile frag, reduced fabric, thick dark glaze with grits attached - waster . 32g. C13-14th	1 x tooth. 2g
	2	coarsewares, reduced, various types. 7g		12-14th	6	ceramic tile frags, oxidised fabric, wasters . 69g, 67g, 33g, 26g, 11g, 8g. C13-14th	c.250 x fired clay & oven lining frags. 4,460g ?kiln lining

context	{ _____ pottery _____ }				{ _ building materials _ }		miscellaneous
	qty	fabric & weight	surface	century	qty	description	
631 cont.	12	glazed wares, various types. 92g	various glazes	12-14th	1	ceramic tile frag, reduced, fine limestone & black grit temper, green glaze on upper surface, oxidised lower surface. 87g. C13-15th	137 x fired clay/ lining frags with stick impressions, some with glazed splashes. 1,439g. kiln lining
	2	coarsewares, reduced. 3g	oxidised surfaces	12-14th	4	ceramic brick/ tile frags. 58g	54 x fired clay frags, some with glazed splashes. 512g kiln lining
	1	coarsewares, oxidised. 11g	cracked surface, waster.	12-14th	4	earthenware brick/ tile frags. 13g	1 x fired clay lining with vitreous concretion. 8g kiln
	1	coarseware, reduced, grit temper, burnt. 15g		12-14th	2	ceramic tile frags, glazed, wasters. 16g	1 x Fe slag. 86g
	16	coarsewares, various types. 100g	unglazed	12-15th	3	ceramic ?roof tile frags? oxidised & reduced fabrics, thick patchy dark glazes with fired clay adhering - wasters. 56g, 38g, 33g	1 x glassy slag. 9g
	1	Rim, oxidised, earthenware, micacious. 11g		13-14th	3	probable ceramic tile sherds, oxidised fabric, brown glaze, glaze in breaks - wasters. 20g	1 x slag. 7g
	1	handle frag, oxidised. 21g		13-14th	2	?tile frags, oxidised fabric, micacious. 30g, 15g	1 x large shelly limestone, burnt. 207g

context	{ _____ pottery _____ }				{ _ building materials _ }		miscellaneous
	qty	fabric & weight	surface	century	qty	description	
631 cont.	1	oxidised. 12g	yellow-green glaze with grit attached, waster	13-14th	1	ceramic ?roof tile frag, hard oxidised fabric, patchy dark glaze - ?waster . 52g	2 x burnt limestones. 27g, 8g
	1	reduced. 11g	spots of glaze, waster	13-14th	1	ceramic ?tile frag or ?base frag, hard reduced fabric, lumpy gritty dark glaze with fired clay adhering - waster . 50g	3 x red sandstone frags. 11g
	1	sandy oxidised, grey upper margin. 12g	mottled green & green - brown glaze over incised horizontal lines	13-14th	3	tile frags, oxidised fabric, shiny green/ brown glaze, glaze in breaks - wasters . 59g	
	10	oxidised, various types. 105g	splashes of glaze, wasters	13-14th	1	ceramic tile frag. 15g	
	25	oxidised or reduced. 482g	various glazed & unglazed surfaces, wasters	13-14th	1	ceramic tile, oxidised fabric, limestone temper, clear glaze, waster . 61g	
	4	oxidised, earthenware. 13g		13-14th	1	large Lias stone roof tile frag with a peg hole. 1,184g	
	1	oxidised, some fine limestone temper. 18g	clay smears inside & out, possible waster	13-14th			
	6	glazed wares, various types. 52g	glazed, wasters	13-14th			
	2	sherds, fused together. 13g	glazed, wasters	13-14th			
	4	reduced, fine fabric. 13g	micaceous	13-14th			
1	Rim, reduced & oxidised. 9g	thick, rough blue - brown glaze, waster	13-14th				

context	{ _____ pottery _____ }				{ _building materials _ }		miscellaneous
	qty	fabric & weight	surface	century	qty	description	
631 Cont.	4	various types. 22g	glazed, wasters	13-14th			
	2	sherds, fused together. 19g	glazed, wasters	13-14th			
	1	earthenware. 7g	waster	13-14th			
	18	3 x Rims + 15 x sherds, oxidised & reduced. 360g. ? DWG 145	applied studs & strips, wasters	13-15th			
	12	earthenwares 53g	unglazed	13-15th			
	12	various types. 50g	glazed	13-15th			
	20	various glazed wares. 273g	glazed	13-15th			
	3	various glazed wares. 69g	glazed, wasters	13-15th			
	1	Rim, coarseware, reduced. 35g. DWG 135	oxidised patches, rough surfaces, patches of dull yellow glaze - possible waster	13-15th			
	13	various types 62g	glazed & unglazed	13-15th			
	1	base frag, fluted above base, oxidised. 39g	external dark glaze with fired clay adhering - waster	14th			
	1	base frag, hard reduced, fluting above base. 58g	patches & lumps of dark glaze, cracks in in fabric, glaze inside breaks - waster	14th			
	1	sherd, hard reduced. 8g	patches & lumps of dark glaze, cracks in in fabric, glaze inside breaks - waster	14th			
	1	hard brown. 10g	applied strips below dark glaze, lumpy - gritty, glaze in breaks - waster	14th			
1	Rim (or ?pot lid?), hard oxidised. 42g. DWG 134	patchy clear & dark glaze	14-15th				

context	{ _____ pottery _____ }				{ _ building materials _ }		miscellaneous
	qty	fabric & weight	surface	century	qty	description	
631 Cont.	1	base frag, hard, oxidised, some reduced areas, small limestone & grit temper. 25g	clear & dark glaze, glaze in breaks - waster	14-15th			
	1	oxidised. 37g	hard, grey patches, outer brown & dark glaze, rough clay on the surfaces - waster	14-15th			
	2	reduced. 29g	glazed - wasters	14-15th			
	1	fine, oxidised. 22g	raised strip, criss - cross decoration	14-15th			
	1	Rim & handle frag, oxidised, micaceous, cracks in fabric. 37g	waster	14-15th			
	1	handle frag, orange/ purple. 69g	fired clay adhering - waster	14-15th			
	1	hard grey, some small limestone temper. 24g	external dark green glaze, applied decoration - yellow glaze	14-15th			
	1	Rim, oxidised & reduced. 40g	thick, dark glaze & glaze in breaks - waster	14-15th			
	5	glazed wares, various types. 26g		14-15th			
	15	glazed wares, various types. 156g	glazed pot & tile - wasters	14-15th			
	8	glazed wares, various types. 228g	glazed, wasters	14-15th			
	1	base frag, reduced. 40g	fired clay & lumpy glaze below - waster	14-15th			
	1	hard oxidised. 10g	applied strip, gritty dark glaze	14-15th			
	2	oxidised. 12g	micaceous	n.d			
633	9	coarsewares, reduced, various types. 60g		10-13th	1	ceramic tile, oxidised, limestone & grey grit temper, patchy clear & green glaze above. 89g. C13-14th	1 x bone frag 5g
							1 x slag. 2g

context	{ _____ pottery _____ }				{ _ building materials _ }		miscellaneous
	qty	fabric & weight	surface	century	qty	description	
634E	14	coarsewares, reduced, various types. 67g		11-14th	1	ceramic tile frag, oxidised & reduced fabric, abundant fine limestone temper, surface has splashes of clear & green glaze above & fired clay adhering - waster . 117g. C13-14th	7 x bone frags. 17g
	1	Rim, coarseware, grit temper. 6g. DWG 95	brown surfaces	12-13th	1	ceramic tile frag, oxidised fabric, fine limestone temper, thick brown glazed surface with glaze in the breaks - waster . 33g. C13-14	1 x slag. 16g
	1	Rim, coarseware, oxidised, gritty. 34g. DWG 97	light brown surfaces	12-14th	1	ceramic ?roof? tile, oxidised fabric with grey core & frequent limestone temper. Clear & dull green glazed surface, rough, with abundant fine limestone below. 193g. C14-15th	12 x fired clay frags/ lumps. 104g

context	{ _____ pottery _____ }				{ _ building materials _ }		miscellaneous
	qty	fabric & weight	surface	century	qty	description	
634E	10	coarsewares, various types. 62g		12-14th	1	ceramic roof tile frag - ridge tile - pierced, orange fabric, fine limestone temper, clear glaze. 257g, C14-15th	
	17	glazed wares, various types. 102g	various glazes	12-14th	1	tile frag, hard oxidised & grey fabric, lumpy glaze - waster . 20g. C14-15th	
	1	coarseware, reduced. 3g		12-14th	1	white limestone or? mortar frag. 8g	
	3	joining Rims, oxidised. 37g DWG 140	reduced surfaces, patchy dark green glaze with fired clay adhering, waster	13-14th	1	tile frag. 9g	
	1	Rim, smooth oxidised, grey core, grit & grog temper. 9g	splashes of clear	13-14th	1	ceramic tile frag, grey fabric with a hard orange & grey core, patches of clear glaze. 39g. C14-15th	
	1	Rim & base frag, hard, rough, grey. 28g	milky glaze inside - waster	13-14th			
	9	various glazed wares. 149g	attached clay and/ or lumpy glaze - wasters	13-14th			
	1	hard grey. 25g	applied strips & bosses below dark glaze	13-14th			
	1	base frag, reduced, fine grit temper. 52g		13-14th			
	1	Rim, oxidised. 14g. DWG 144	brown glaze with fired clay adhering, waster	13-14th			

context	{ _____ pottery _____ }				{ _ building materials _ }		miscellaneous
	qty	fabric & weight	surface	century	qty	description	
634 East Cont	1	base frag, coarseware, grey, fine limestone & grit temper. 30g	oxidised surfaces	13-14th			
	1	Rim with pouring lip, oxidised, fine limestone & grit temper. 12g. DWG 141	clear outer glaze with fired clay adhering - waster	13-14th			
	1	oxidised. 24g	splashes of clear & green glaze with fired clay adhering to the inside surface - waster	13-14th			
	1	Rim, oxidised & reduced. 32g	applied strips & patchy glaze with fired clay adhering	13-14th			
	1	Rim & pouring lip, oxidised. 37g	splashes of clear glaze with fired clay adhering, waster	13-14th			
	2	joining Rims, oxidised. 20g. DWG 142	splashes of glaze with fired clay adhering, waster	13-14th			
	1	oxidised. 13g	applied white clay strip with fired clay adhering - waster	13-14th			
	1	hard, oxidised. 20g	fired clay adhering - waster	13-14th			
	1	coarseware, reduced with abundant fine limestone temper. 13g	oxidised inner surface, dull khaki - green glazed outer	13-14th			
	3	oxidised. 9g	fired clay adhering - waster	13-14th			
	1	oxidised. 18g	some clear glaze on outer surface	13-15th			
	15	glazed wares, various types. 215g	glazed, wasters	13-15th			
	5	oxidised, micacious. 63g. DWG 146	applied leaf impressions.	13-15th			
	5	oxidised, micacious. 38g. DWG 147	applied strips & bosses.	13-15th			
	36	glazed wares, various types. 604g	glazed	13-15th			
c.60	oxidised, including base frags. 455g	no glazes	13-15th				

context	{ _____ pottery _____ }				{ _ building materials _ }		miscellaneous
	qty	fabric & weight	surface	century	qty	description	
634 East Cont.	2	joining Rims, coarseware, oxidised, sandy. 33g. DWG 137		14th			
	1	hard, oxidised. 40g. DWG 136	grey outer surface, orange inner surface, white piping lines & flowers on outer surface with applied strips & dark green glaze. ?Possible Waster	14th			
	1	Rim/ handle frag, grey sandy. 71g. DWG 138	oxidised surfaces, patchy greeny - brown glaze	14-15th			
	3	hard, oxidised. 47g	oxidised inner surface, reduced outer surface, white - piping strips below green & clear glaze	14-15th			
	1	large sherd, hard grey, sparse limestone & grey grit temper up to 5mm. 114g	applied strips & bosses below dark glaze outside	14-15th			
	8	sherds, hard grey, some limestone temper. 154g	very dark green & dark green external glazes	14-15th			
	1	?pot lid?, hard grey. 55g	brown inner surface, mottled khaki - green outer glaze	14-15th			
	1	sherd, hard grey. 26g	applied strip with criss - cross decoration, white piping strip, dark green glaze	14-15th			
	1	hard grey, occasional limestone temper. 33g	oxidised surfaces, pierced, patchy shiny green & green - brown outer glaze	14-15th			
	2	joining base frags, hard oxidised. 72g, 57g	clear & shiny brown glaze, very rough inner with lumpy clay, clay in pot breaks - waster	14-15th			

context	{ _____ pottery _____ }				{ _ building materials _ }		miscellaneous
	qty	fabric & weight	surface	century	qty	description	
634E cont.	1	hard oxidised. 14g	clear & shiny brown glaze, very rough inner with lumpy clay, clay in pot breaks - waster	14-15th			
	1	oxidised, earthenware. 15g	applied strips & bosses, pre - glaze wasters	14-15th			
	5	glazed wares, various types. 48g	various glazes	14-15th			
	7	earthenwares 53g	clay lumps & smears attached - wasters	14-15th			
	11	unglazed earthenware sherds. 60g	wasters	14-15th			
	24	various earthenwares 104g	wasters	14-15th			
636	18	small coarsewares, various, oxidised & reduced. 58g		11-14th	2	ceramic tile frags, oxidised, pale core & ?grog? Temper with concretions - waster . 65g, 18g. C13-15th	4 x animal bone & teeth. 48g
	1	grey, fine limestone temper. 17g	oxidised outer, green glaze over incised lines & white piping	13-14th	2	large ceramic tile frags, oxidised below , grey above, green & orange glaze, clay adhering - wasters . 263g, 149g. C15-17th?	1 x large flat limestone frag, pale greeny - grey, very micacious. 663g
	2	joining sherds, grey. 35g	exterior dark green glaze over applied decoration	13-15th	1	ceramic roof tile frag, glazed ridge tile - waster . 29g. C13-15th	7 x fired clay frags. 78g
	1	hard grey. 17g	patchy glaze out, possible waster	13-15th	2	ceramic tile frags - wasters . ? C13-15th ???	2 x small slag frags. 3g
	1	small earthenware frag. 3g	glazed	13-15th			2 x yellow limestones. 231g, 18g
	2	joining earthenware sherds, oxidised. 25g	applied bosses & strips, probable waster	13-15th			
	1	spout - bridge spout, oxidised. 63g	sandy concretion outside - waster	13-15th			

context	{ _____ pottery _____ }				{ _building materials _ }		miscellaneous
	qty	fabric & weight	surface	century	qty	description	
636 East	5	small coarsewares, various types. 8g		12-14th			
	1	hard oxidised. 6g	smooth grey inner & dark green outer glaze	14-15th			
	2	joining sherds, hard oxidised. 26g	smooth grey inner & dark green outer glaze	14-15th			
642 B	1	base frag, BBW. 15g		1st - 4th			42 x animal bone & teeth. 725g
642 B Lower Fill = 6021	4	coarsewares, reduced, various types, limestone temper. 65g	oxidised surfaces	10th			1 x Lias stone. discarded. 50g
	1	coarseware, pale grey, limestone temper. 9g		10-12th			1 x Fe object. 29g. SF-7
	18	coarsewares, reduced, various types. 252g		10-13th			
	1	Rim, reduced, limestone temper. 20g. DWG 75	brown surfaces	11-12th			
	1	Rim, reduced, limestone temper. 14g. DWG 85	brown gritty surfaces	12th			
	1	Rim, grey, fine limestone & black grit temper. 10g. DWG 86	black inner surface, buff outer, micacious	12th			
	1	coarseware, reduced, fine limestone temper. 8g	oxidised outer surface, spots of green glaze	12-13th			
642 Lowest Fill	1	coarseware, grey. 19g	pale orange surfaces, voids	10-11th			

context	{ _____ pottery _____ }				{ _ building materials _ }		miscellaneous
	qty	fabric & weight	surface	century	qty	description	
646	5	small coarsewares, reduced, various types. 30g		11-14th	4	ceramic tile frags. 92g. ?C18th	25 x bone frags 74g
	14	small coarsewares, various types. 23g		11-14th	4	white lime mortar with ash & charcoal. 98g. C18th	1 x Fe frying pan - handle including - suspension ring = c.32cm long, pan top = c.25-26cm diameter, pan base = c.20cm diameter, centre of pan missing.
	3	small glazed wares, various types. 5g	various glazes	12-15th	1	roof slate frag. 30g	3 x Fe slag frags 219g
	4	glazed wares. 37g	various glazes	14-15th	12	small white mortar frags. 21g	3 x small slag frags. 9g
	3	small oxidised. 6g	orange glazes	16-18th			3 x fired clay frags 8g
	1	oxidised. 11g	traces of brown glaze	17th			1 x cinder. 8g
	1	Rim, oxidised. 43g	inner orange glaze	17-18th			1 x coal. 3g
	1	oxidised. 22g	inner brown glaze	18th			1 x clay pipe bowl frag, small flat heel, no stamp. 5g. C17-18th
648	7	small coarsewares, various types. 14		12-14th			4 x small bone frags. 3g
							1 x fired clay. 2g
							1 x glass cullet. 1g
649	2	Rims (same pot), dark grey, abundant limestone temper. 39g, 5g. DWG 9	brown outer surface, small voids	10th			4 x bone frags 35g
	9	coarsewares, various reduced. 63g		10-12th			

context	{ _____ pottery _____ }				{ _ building materials _ }		miscellaneous
	qty	fabric & weight	surface	century	qty	description	
651	1	Rim frag, light grey, small quartz & grits, small voids. 37g. DWG 27	oxidised surfaces with some small voids	10-11th			c.30 x small bone frags. 76g
	1	Rim frag, limestone & grit temper. 9g	black inner & brown outer surfaces, soapy	10-11th			5 x small slag frags. 11g
	1	Rim, grey, limestone & grit temper. 13g. DWG 49	oxidised surfaces	10-12th			3 x fired clay frags. 11g
	19	coarsewares, reduced, various types. 76g		10-12th			1 x small Crucible, grey fabric, fine, with residue inside. 3g. SF-18, DWG 148
654	1	Rim, light grey, brown grit temper, voids. 12g	oxidised outer surface	10-11th	1	ceramic tile frag. 15g	42 x bone & teeth frags. 373g
	1	Rim, black, limestone temper. 8g. DWG 51		10-12th			2 x antler frags. 26g, 3g
	1	Rim, grey, limestone & grit temper. 14g. DWG 50	inner brown surface, dark grey outer	10-12th			2 x large headed Fe nails. 18g, 11g
	16	coarsewares, various types. 146g		10-12th			4 x slag. 808g
	1	Rim, dark grey, limestone temper. 13g. DWG 76	brown outer, light grey inner surface	11-12th			1 x tip of a bone pin. 1g. SF-6. DWG 159
	2	joining sherds, grey, limestone & grit temper, with voids. 10g	light brown inner surface with voids, orange 'skin' outer surface with combed decoration	10-12th			
	6	coarsewares, various types. 61g		10-12th			
655	1	coarseware, reduced, limestone temper. 5g	brown surfaces	12-14th			3 x bone frags 11g
655 West of Sondage	4	small coarseware frags, various types. 15g		10-13th			10 x fired clay lumps. 136g
Cleanin g Above 659	1	BBW, brown outer margin. 9g	black burnished ware	1st-4th			

context	{ _____ pottery _____ }				{ _building materials _ }		miscellaneous
	qty	fabric & weight	surface	century	qty	description	
672	4	coarsewares, reduced, various types, 29g		11-14th			1 x animal tooth. 2g
							1 x Fe lump. 7g
							1 x small fired clay frag. 1g
674 = Same as 693	1	Rim, pale grey, orange margins, occasional small quartz & grit temper, voids. 44g DWG 23	pale grey - orange surfaces, many small voids	10-11th			4 x bone frags. 17g
	1	sherd, grey, grit & grog temper. 49g	oxidised surfaces with small voids	10-12th			2 x slag frags 38g, 19g
	1	base frag, grey, small limestone & grit temper. 30g	oxidised sandy surfaces	11-13th			1 x lge frag of a Stone Lamp with traces of soot inside & hole for wick in base. Pale, fossiliferous limestone; possibly Bath Stone. Measures: c.100mm square internally, c.135mm square externally, c.55mm deep. Wt = 1,738g. SF8 - DWG 157
	1	sherd, brown, grey core, fine limestone temper. 4g	reduced surface	12-14th			
680	1	Rim, coarseware, reduced with abundant limestone & grit temper. 108g. DWG 71	pale grey inner surface, brown outer surface, rough, horizontal incised line decoration outside. SF - 10	11-12th			
688	2	joining coarseware sherds, grey, limestone temper, voids. 21g	oxidised outer surface, voids	10-11th			
	1	coarseware, grey, limestone temper, voids. 4g	oxidised outer surface	10-11th			

context	{ _____ pottery _____ }				{ _ building materials _ }		miscellaneous
	qty	fabric & weight	surface	century	qty	description	
690							3 x bone frags 186g
694 Top c.20cm	1	Rim, coarseware, grey sandy. 15g. DWG 70	fractured outer surface	11-12th	1	ceramic ridge tile frag, oxidised fabric, brown grit temper, patchy green - brown glaze. 183g. C13-14th	11 x bone frags & teeth. 68g
	13	coarsewares, reduced, various types, mostly limestone tempered. 60g		11-13th	1	ceramic ridge tile frag, oxidised fabric. 23g. C13-14th	1 x Fe lump. 17g
	12	coarsewares, reduced, various types. 63g		12-14th	1	ceramic tile frag, oxidised fabric, limestone temper, gritty green - brown glaze, up to 15mm thick. 70g. C13-14th	10 x fired clay frags 96g
	1	Rim, reduced. 53g. DWG 129	smooth oxidised inner surface, prominent wheel marks, green - brown / brown - yellow glaze over applied strips & bosses, anthropomorphic jug	13-14th	1	ceramic tile frag, oxidised fabric, brown glaze. 7g. C13-14th	
	1	handle frag, hard grey. 16g	brown inner surface, dark green pitted glaze outside	13-14th	1	ceramic roof tile frag, oxidised fabric, limestone temper, dark khaki - green glaze, up to 18mm thick. 189g. C13-14th	
	1	grey. 22g	oxidised outer surface below patchy gritty green glaze.	13-14th			
	1	hard grey, oxidised inner margin. 10g	dark brown to black glazed outer surface, brown glazed inner	13-14th			
	2	glazed wares, various types. 7g		13-14th			

context	{ _____ pottery _____ }				{ _building materials _ }		miscellaneous
	qty	fabric & weight	surface	century	qty	description	
694	1	Rim, coarseware, reduced, limestone & grit temper, brown margins. 13g. DWG 100	micacious, sooty inner surface	12-14th	2	joining frags, ceramic tile, grey fabric, limestone temper, oxidised below, very dark green gritty glaze above. 206g. C13-14th	5 x bone frags. 36g
	2	Rims, coarseware, reduced. 26g, 8g. DWG 101		12-14th	1	ceramic tile frags, oxidised fabric, limestone temper, brown glaze, 15mm. 20g. C13-14th	1 x Fe nail. 13g
	1	Rim, pink - orange. 11g DWG 77	patchy clear & green glaze	12-14th	1	ceramic tile frag, oxidised fabric, limestone temper, dull clear glaze, c.9mm thick. 29g. C13-14th	7 x slag. 21g, 18g, 10g, 2g, 1g, <1g, <1g
	29	coarsewares, various types. 225g		12-14th	1	ceramic tile frag, oxidised fabric, limestone temper, patchy clear & green glaze, c.12mm thick. 75g. C13-14th	11 x fired clay & lining, some with splashes of glaze. 172g ? Kiln lining
	1	Rim & Spout, bridge spout sherd, oxidised, grey core. 45g	sandy splashes of green - brown	13-14th	3	(3 x joining) large Lias stone roof tile frags with peg hole. Up to 47cm long x 26cm wide x 1cm thick. c.3kg	1 x FLINT flake, dark brown. <1g
	1	handle frag, hard dark grey, limestone temper. 45g	brown surfaces with a thin brown glaze	13-14th			1 x burnt limestone. 34g

context	{ _____ pottery _____ }				{ _ building materials _ }		miscellaneous
	qty	fabric & weight	surface	century	qty	description	
694 cont.	1	hard grey. 33g	dark black/ brown glaze on outer surface over green glazed applied strips	13-14th			1 x Lias stone, ?worked, red line marked. 93g
	1	hard, smooth brown, grey core. 32g	dark brown & green - brown glaze over wavy line decoration	13-14th			
	1	oxidised. 13g	outer yellow glaze over dark applied strips	13-14th			
	14	glazed wares, various types. 93g	various glazes	13-14th			
	19	glazed wares, various types. 442g	wasters	13-14th			
	6	oxidised. 44g	probable wasters	13-14th			
694 Top West Corner	1	Rim, coarseware, reduced, quartz temper. 4g	brown surfaces	12-13th	5	tile/ pot frags, glazed, wasters . 80g. C13-15th	2 x bone frags. 12g
	1	reduced, coarseware. 3g	exterior khaki green & yellow glaze	12-14th	1	?roof tile? Frag, reduced fabric, abundant fine limestone temper, oxidised surfaces, dark blue - black glaze, possible waster . 185g, C13-15	2 x shiny slag frags. 10g
	4	coarsewares, reduced, various types. 19g		12-14th	1	oxidised, hard, ceramic tile frag. 10g. C13-15th	1 x fired clay frags. 11g
	5	oxidised, various types. 31g		13-14th			
	1	large oxidised, sandy, brown grit temper with some calcite. 62g	paler surfaces	13-14th			
	3	glazed, various types. 31g	splashes of clear glaze	13-15th			
	1	base frag, oxidised, grit concretions inside. 63g	splashes of green glaze outside, waster	13-15th			
	1	oxidised, sandy. 13g	patchy green glaze, cracks & concretions, waster	13-15th			

context	{ _____ pottery _____ }				{ _ building materials _ }		miscellaneous
	qty	fabric & weight	surface	century	qty	description	
694 Pot A	1	light grey sandy. 11g DWG 55	oxidised inner surface, outer applied strips & horizontal incised lines below khaki - green glaze	13-15th			
694 Pot B	1	coarseware, black, limestone temper. 7g DWG 55	brown inner surface	10-12th			
694 Pot D	1	coarseware, grey, sandy. 4g DWG 55	khaki - green glaze over horizontal lines	12-13th			
694 Pot E	1	hard grey. 15g DWG 55	oxidised surface, outer applied strip, decorated with white piping & brown glaze	13-14th			
694 Pot F	1	fine grey, 8g DWG 55	oxidised surfaces, patchy green glaze & applied strip	13-14th			
694 Pot G	1	coarseware, dark grey, limestone temper. 5g	brown surfaces	12-14th			
694 Pot H	1	oxidised. 7g	waster	13-14th			
694 Pot I	1	light grey, occasional quartz & limestone temper, ?greyware. 2g	micaceous	?1st - 2nd			
694 Tile A					1	ceramic tile, oxidised fabric, brown grog & small limestone temper, grey core. 169g.	12-14th
695 Pot C	1	hard, smooth, grey, outer brown margins. 8g	very dark brown - black glazes	13-14th			
695	1	fine light grey sandy. 5g	light brown surfaces	?1st - 4th	1	Lias stone roof tile frag with peg hole. 808g	3 x bone & teeth. 5g
	6	coarsewares, reduced various types. 22g		10-13th			1 x Fe lump. 11g
	4	glazed wares, various types. 22g		13-14th			2 x slag. 15g
	1	oxidised, limestone. 11g	clear glaze - waster	13-14th			2 x fired clay frags with spots of glaze. 31g, 2g

context	{ _____ pottery _____ }				{ _building materials _ }		miscellaneous
	qty	fabric & weight	surface	century	qty	description	
6004	1	coarseware, reduced, grit & quartz temper. 6g		12-14th			1 x bone frag 24g
							1 x chert flake. 4g
6006	1	coarseware, reduced, grit temper, oxidised outer margin. 5g		11-12th			3 x bone. 19g
	1	coarseware, reduced, limestone & grit temper, micaceous. 6g		12-14th			1 x fired clay. 3g
6010	1	coarseware, reduced, limestone temper. 40g	oxidised, gritty surfaces	11-13th			1 x small calcined bone frag. 1g
6012	1	Rim, pale oxidised. 17g. DWG 28	grey - brown surfaces, small voids	10-11th			6 x bone frags 39g
	4	coarsewares, reduced, various types. 18g		10-11th			1 x fired clay. 3g
6015	1	reduced, fine sandy, buff margins. 4g	darker grey outer surface, micaceous	1st - 4th			7 x bone frags. 64g
	1	Rim, pale grey, abundant limestone temper. 50g. DWG 25	grey - buff surfaces	10-11th			1 x large lump of ?Fe slag. 1,704g
	1	coarseware, reduced, limestone & quartz temper. 3g	buff surfaces	10-12th			frags of blue Lias stone - discarded. 10g
6021 = 642 B Lower Fill	1	Rim, coarseware, pale oxidised, abundant limestone temper. 44g. DWG 10	light brown inner surface, pink & brown outer surface with some small voids - SF-9	10th	1	fired clay ?tile? frag.129g	8 x animal bone frags & teeth frags. 184g
	1	coarseware, grey, fine limestone & grit temper. 13g	oxidised surfaces with small voids	10-11th			9 x bone frags & horn core. 202g
	1	coarseware, grey, abundant grit & quartz temper (not limestone). 60g	oxidised gritty surfaces with reduced patches & some soot	10-12th			6 x bone & teeth. 197g
	1	coarseware, limestone & grit temper. 65g	light brown inner surface & brown outer surface, black patches, small voids	10-12th			1 x oyster frag. 23g

context	{ _____ pottery _____ }				{ _ building materials _ }		miscellaneous
	qty	fabric & weight	surface	century	qty	description	
6022	1	small sherd, greyware. <1g		?R.B?			1 x bone frag. 15g
	1	Handle & body sherd frag, dark, abundant limestone temper with some ?grog. 440g. DWG 31	orange surface -body, buff grey patches - handle	10-11th			9 x fired clay frags. 171g
	1	coarseware, reduced, quartz & white grits. 4g	oxidised inner surface	12-14th			
6024	1	Rim, coarseware, reduced. 5g	brown surfaces	11-12th	2	ceramic tile, oxidised fabric, limestone temper. wasters . 102, 88g. C13-14th	8 x fired clay frags. 109g
	1	Rim, brown, limestone temper. 22g. DWG 98		12-14th	2	ceramic ridge tile frags, various fabrics, limestone temper, dark green glaze, wasters . 130g, 122g	
	3	small coarsewares, reduced, limestone temper. 8g		11-14th	2	oxidised fabric, ?pot or ?tile, wasters . 45g, 14g	
	4	oxidised, various types. 44g, 33g, 7g, 5g	some glazed, wasters	13-14th			
	5	oxidised. 40g	some glazed, surfaces	13-14th			
	1	oxidised outer, reduced inner, fine. 14g	brown outer glaze	13-14th			
	8	various fabrics. 96g	wasters	13-14th			

context	{ _____ pottery _____ }				{ _ building materials _ }		miscellaneous
	qty	fabric & weight	surface	century	qty	description	
6026	1	coarseware, light grey, black grit temper. 10g	pale oxidised outer surface, brown inner surface	12-14th	2	tile frags, oxidised fabrics, with pottery fused to the surfaces, wasters . 77g, 33g. 13-14th	4 x bone frags. 40g
	1	Rim, coarseware, black. 6g		12-14th			22 x fired clay lumps/ ?lining . 584g
	1	base, coarseware, reduced. 8g		12-14th			2 x large fired clay lumps. Lining? 219g, 83g
	1	pink. 19g	sandy pale oxidised surfaces, milky clear glaze & green glaze spots & splashes on the outer surface, some glaze on fabric breaks ?waster	12-14th			17 x fired clay/ lining frags with stick impressions. Kiln lining 434g
	2	Rims, oxidised. 30g, 15g	brown glaze - wasters	13-14th			2 x fired clay frags, with stick impressions & fine combed decorative lines on the outer surface. Kiln lining 10g, 9g
	1	coarseware, reduced, fine limestone temper, micaceous. 5g		13-14th			1 x burnt stone. 30g
	7	bases & body sherds, earthenware, oxidised. 100g	applied strips & bosses. wasters	13-14th			1 x burnt limestone. 10g
	17	oxidised & reduced, various types. 290g	some decoration. wasters	13-14th			
	11	oxidised, various types. 158g	various glazes, wasters	13-14th			
	1	reduced. 14g	waster	13-14th			

Area 7								
context	{ _____ pottery _____ }				{ _building materials _ }		miscellaneous	
	qty	fabric & weight		surface		century		qty
704 A	1	Samian. 1g		1st - 4th	1	small roof slate frag - discarded. 2g		14 x bone frags 90g
	1	Rim, reduced, hard, grey grit temper. 11g. DWG 83	oxidised outer surface	11- 14th				2 x small Fe objects. 2g
	1	Rim, grey sandy, grit temper. 12g		12-14th				
	11	coarsewares, reduced, various types. 39g		12-14th				
	1	handle frag, reduced. 24g	oxidised surfaces, mottled green glaze	13-14th				
	1	pale oxidised, grey core, mottled green glaze. 31g		13-14th				
	1	oxidised, grey core. 2g	clear glaze	13-14th				
	1	small Bristol/ Staffs ware. <1g	?intrusive	17-18th				

context	{ _____ pottery _____ }					{ _ building materials _ }		miscellaneous
	qty	fabric & weight		surface		century	qty	
704 B	5	coarsewares, reduced, various types. 19g		12-15th				14 x bone frags. 96g
	1	off - white. 4g	mottled green glaze outside	14-15th				1 x slag frag 16g
	1	hard grey, oxidised outer margin. 4g	reduced outer surface, dark green glaze inside	15-16th				2 x fired clay frags. 4g
	1	Rim frag, oxidised. 20g	inner yellow glaze, scraffito decoration	17th				1 x small ?coal frag 2g
								1 x ?coprolite? frag. 7g
705 A	1	Rim, reduced, limestone & grit temper. 17g. DWG 42	brown 'skin' surfaces, small voids	10-11th				38 x bone frags & teeth. 124g
	1	Rim, reduced, quartz temper. 6g	black surfaces	10-11th				1 x vitreous slag & lining. 19g
	20	coarsewares, reduced, various types. 70g		10-13th				
	1	handle frag, hard grey. 25g	khaki - green glaze	13-14th				

context	{ _____ pottery _____ }				{ _ building materials _ }		miscellaneous
	qty	fabric & weight	surface	century	qty	description	
705 B	1	Rim, coarseware, dark grey, fine limestone temper. 10g. DWG 66	brown surfaces	10-12th			20 x bone frags 125g
	14	coarsewares, reduced, various types. 65g		10-13th			1 x large slag frag with thick, vitreous coating. 104g
	1	Rim, reduced. 9g	brown surfaces	12-13th			2 x fired clay frags 9g, 2g
	1	coarseware, grey, quartz temper. 22g	brown inner surface, splashes of clear glaze	12-13th			
705 C	9	coarsewares, various types. 38g		10-13th			26 x bone frags 216g
	1	Rim, reduced, limestone & grit temper. 12g. DWG 81	oxidised surfaces	11-12th			2 x fired clay frags 6g, 5g
	1	Rim, grey sandy, grey grit temper. 10g. DWG 90	oxidised surfaces, sooty outer surface	12-13th			1 x FLINT flake, pale yellow. <1g
705 D	8	coarsewares, reduced, various types. 48g		10-12th			26 x bone frags. 151g
							1 x ?iron stone. 567g
context	{ _____ pottery _____ }				{ _ building materials _ }		miscellaneous
	qty	fabric & weight	surface	century	qty	description	
705 E	1	coarseware, reduced, limestone temper. 3g	brown inner surface	10-11th			1 x bone frag 44g
	1	small oxidised sherd. 1g		n.d			1 x fired clay frag 2g
							1 x Lias stone, pink surfaces. 222g

GBT 05

705 F	1	Rim, black, abundant limestone temper. 6g. DWG 11		10th			5 x bone frags 13g
	1	reduced, limestone & grit temper. 17g	brown outer surface	10-12th			1 x red limestone. 38g
Cleaning Above 705 South	13	coarsewares, reduced, various types. 56g		10-14th			
	1	base frag, coarseware, reduced, grit temper. 54g		12-14th			
	1	coarseware, reduced. 8g	oxidised surfaces, patchy clear glaze outside	12-13th			
	1	Rim, coarseware, grey, grit temper. 9g	light brown surfaces	13-14th			
	1	sandy oxidised. 2g	white slip with clear & green glaze outside	13-14th			
705 South					1	ceramic tile, oxidised, rough, grit temper. 24g, n.d	1 x Fe object. 111g
							1 x Fe slag. 61g
							1 x hard grey sandstone frag. 15g
							1 x black stone frag, ?Kimmeridge shale? 9g
706 A	1	Rim, coarseware, grey, fine quartz temper. 19g. DWG 35	pale oxidised surfaces, small voids	10-11th			10 x bones frags 48g
	1	coarseware, reduced, small quartz temper. 8g	light brown surfaces	10-12th			
context	{ _____ pottery _____ }				{ _building materials _ }		miscellaneous
	qty	fabric & weight	surface	century	qty	description	
706 B	2	coarsewares, black, quartz temper. 6g, 3g		12-14th			9 x bone frags 25g
	2	grey, black grit temper. 10g	oxidised surfaces, patches of clear & green glaze	13-14th			

GBT 05

708	1	coarseware, grey, brown grits. 11g	oxidised surfaces	13-15th	1	brick frag, grey cement with lime & charcoal inclusions. 137g. C19-20th	1 x Fe nail frag. 9g
	1	oxidised. 3g	spots of clear glaze	13-15th			
709	1	small factory white ware frag. <1g	discarded	19th			4 x bone frags & tooth. 12g
							1 x small grey slag. 2g
							1 x fired clay. 18g
710	1	BBW. 3g	black burnished	1st - 4th			1 x bone frags 52g
	6	coarsewares, reduced, various types. 31g		10-12th			2 x bone/ tooth. 1g
	2	joining base frags, oxidised, grey core. 99g	clear glaze, green glaze spots	13-14th			3 x grey slag. 20g
	2	small oxidised. 5g, 2g	patches of glaze	13-15th			1 x oyster frag. 3g
	1	oxidised, grey core. 25g	green/ brown glaze	14-16th			1 x clay pipe stem (?intrusive) - discarded. 2g
710 Centre	11	small coarsewares, various types. 37g		12-15th			9 x bone frags. 158g
	7	glazed wares, small voids. 18g		13-16th			1 x clay pipe stem, discarded. 2g
	1	Bristol/ Staffs ware. 2g		17-18th			1 x green bottle glass. 2g ?C17-18th
	1	small Rim frag, oxidised. 3g	orange - brown glaze	17-18th			1 x white ?chalk/ limestone? 16g
	1	Rim, oxidised. 28g	inner orange glaze	17-18th			3 x coal lumps, discarded.

context	{ _____ pottery _____ }				{ _ building materials _ }		miscellaneous
	qty	fabric & weight	surface	century	qty	description	
714 A	2	small Rim frags, reduced, limestone & grit temper. 5g, 4g. DWG 41	oxidised, soapy surfaces	10-11th			43 x bone frags. 175g
	1	Rim frag, grey, limestone temper. 3g	oxidised surfaces	10-12th			1 x Fe 'bun' slag. 256g
	21	coarsewares, various types. 160g		11-14th			2 x Fe slag frags 55g, 38g
	62	small coarseware sherds, various types. 209g		11-14th			3 x slag frags. 23g
	1	small Rim frag, reduced, small quartz & grits temper. 5g		12-13th			1 x fired clay or slag frag. 24g
	1	Rim, coarseware, dark grey, limestone temper. 7g	black outer, brown inner surfaces	12-13th			1 x white quartz pebble. 4g
	1	Rim, coarseware, dark grey, quartz temper. 6g. DWG 117		12-14th			1 x burnt stone. 13g
	1	Leg from Tripod Pitcher, grey, small quartz temper. 17g	patchy green glaze	12-14th			
	6	coarsewares, various types. 38g		12-14th			
	6	small glazed ware sherds, various types. 15g		13-14th			
	1	Rim, oxidised, sandy. 18g. DWG 130	micaceous	13-14th			
	1	Rim, reduced sandy. 16g. DWG 131	brown surfaces	13-14th			
	2	glazed wares, various types. 4g, 3g	glazed	13-15th			
	1	Rim, grey, pale oxidised borders. 10g	oxidised inner surface, green outer glaze	13-15th			
	8	glazed wares, various types. 68g	glazed	13-15th			
1	handle frag, oxidised. 16g	clear glaze & spots of green glaze	14-15th				

context	{ _____ pottery _____ }				{ _ building materials _ }		miscellaneous
	qty	fabric & weight	surface	century	qty	description	
714 B	35	small frags, various coarsewares. 148g		10-14th	2	joining frags, thin Lias stone ?tile? 92g. Discarded	42 x small bone & teeth frags. 179g
	8	coarsewares, reduced, various types. 84g		11-14th			1 x burnt bone frag. 2g
	1	Rim, grey sandy. 14g	oxidised surfaces	12-14th			1 x Fe object/ lump. 16g
	2	Rims, coarsewares, reduced, various fabrics. DWG 106 = 10g, DWG 112 = 8g		12-14th			1 x fired clay frag 16g
	1	oxidised - pink - orange. 4g	clear outer glaze	13th			
	3	various fabs, 6g, 4g, 3g	green glazes	13-14th			
714 C Upper	1	coarseware, grey, abundant limestone temper. 30g	reduced & oxidised surfaces, small voids	10-12th			c.20 x bone frags & teeth. 240g
	20	coarsewares, various types, mostly reduced. 112g		11-14th			1 x burnt bone frag 6g
	1	Rim, grey sandy coarseware, grey grit temper. 12g	green outer glaze	12-13th			1 x hard stone, smooth edge ?quern? frag. 434g
	1	Rim, coarseware, reduced, limestone & grit temper, reduced surfaces, oxidised patches. 16g		12-14th			5 x small stones, various types, 25g
	1	coarseware, reduced, limestone & grit temper. 20g	brown surfaces	12-14th			1 x hard grey sandstone. 16g
	1	Rim, coarseware, light grey, brown inner margin. 17g	grey surfaces	12-14th			
	1	Rim, coarseware, grey, grit & quartz temper. 10g	brown surfaces	12-14th			
	2	joining Rims, grey sandy. 25g	orange sandy surfaces	12-14th			
	19	glazed wares, various types. 102g	glazed surfaces	12-14th			
	2	joining base frags, hard grey. 54g	oxidised outer, splashes of clear & green glaze	13-14th			

context	{ _____ pottery _____ }				{ _building materials _ }		miscellaneous
	qty	fabric & weight	surface	century	qty	description	
714 C	2	black, quartz temper, BBW. 6g, <1g	black burnished	1st-4th			1 x bone frag 2g
	4	coarsewares, various types. 18g		12-14th			1 x Fe slag lump. 143g
714 Against South Facing Section	1	coarseware, dark grey, smooth, limestone & black grit temper. 15g	oxidised surfaces	10-11th			16 x bone frags. 190g
	1	Rim, reduced. 7g DWG 36		10-11th			1 x Fe slag bun. 303g
	51	coarsewares, reduced, various types. 220g		10-14th			2 x slag frags, glassy surfaces. 3g, 2g
	3	Rims, reduced, various types. 12g, 8g, 7g. DWG 69 / DWG 84		11-14th			1 x FLINT lump, blue. 39g
	1	Rim, coarseware, grey sandy, brown inner margin. 24g. DWG 108		12-14th			2 x charcoal frags 1g
	1	Rim, grey sandy, grit temper. 55g. DWG 104		12-14th			4 x burnt limestones. 298g, 277g, 148g, 53g
	1	coarseware, reduced sandy. 19g		12-14th			1 x burnt black sandstone. 40g
	1	base, hard grey sandy. 38g	thumbed base, mottled green exterior glaze, gritty base, probable waster	13-14th			
	1	grey. 9g	brown outer surface, splashes of green glaze	13-14th			
	5	glazed wares, various types. 10g, 9g, 4g, 3g, 2g	glazed surfaces	13-14th			
714 Base	11	small coarsewares, various types. 40g		11-13th			4 x small bone frags. 12g
	1	off white, fine black grits. 10g	patchy pale green glaze outside	13-14th			2 x burnt stones. 67g
715 Clean- ing							1 x Pb weight or clamp with holes. (Similar to SF - 14). 21g. SF - 2

context	{ _____ pottery _____ }				{ _ building materials _ }		miscellaneous
	qty	fabric & weight	surface	century	qty	description	
716	1	Rim, dark grey, abundant limestone & some grit temper. 13g. DWG 3	black 'skin' surface, slightly soapy	10th			18 x bone frags. 138g
	35	coarsewares, various types. 146g		10-12th			1 x burnt bone frag 1g
							2 x fired clay frags. 16g
							2 x pale, shelly limestone. 82g
							1 x red sandstone. 24g
716 Cleaning S of 719	4	coarsewares, reduced, various types. 21		12-14th			1 x large wedge - shaped Lias stone, probably natural. 681g
							4 x bone frags 23g
720							1 x Fe slag. 33g
							1 x small bone frag <1g
723							2 x small coal frags 1g
	3	small coarsewares, various types. 6g		12-14th	1	white mortar/ plaster frag. 4g	10 x small bone frags. 26g
	1	handle frag, grey sandy. 15g	smooth brown surfaces, burnt	13-14th			5 x burnt bone frags. 27g
							1 x small slag frag 3g
							1 x white clay frag. 13g
724							1 x charcoal frag. 1g
	4	coarsewares, reduced, various types. 24g	oxidised surfaces	13-14th	1	hard grey limestone ?tile? 188g	4 x small bone frags. 13g
	2	reduced, various types. 5	green glazes	13-14th			1 x small grey slag frag <1g
	1	reduced. 13g	sandy, sooty inner, oxidised outer surface with orange/ brown glaze	14-15th			2 x joining coal frag. 31g

context	{ _____ pottery _____ }				{ _ building materials _ }		miscellaneous
	qty	fabric & weight	surface	century	qty	description	
726	4	small coarseware sherds, various types. 9g		12-14th			5 x bone & teeth frags. 23g
	3	small glazed wares, various types. 8g		13-15th			1 x grey slag frag 2g
							1 x burnt stone. 5g
727	1	small grey sandy, ?BBW. 2g	brown inner surface with ?lime scale?	1st-4th			2 x bone frags. 12g
	2	small joining sherds, grey with some small quartz. 5g	smooth oxidised inner surface	?R.B or ?Med.			1 x cortical FLINT core, black. 31g
728	1	coarseware, sandy reduced. 5g		12-14th			2 x fired clay frags. 5g
							1 x burnt sandy limestone. 141g
733	1	Samian. 11g		1st - 3rd			2 x bone frags 6g
733 B							2 x small bone frags 1g
							1 x Fe slag. 42g
							1 x small burnt stone - discarded. 1g
734	2	coarsewares, reduced. 2g, 1g		11-13th			2 x slag frags 10g
	2	Bristol/ Staffs. 5g		17-18th			1 x fired clay frags 5g
735	6	coarsewares, reduced, various types. 35g		10-14th			3 x bone frags. 36g
	1	base, grey, small quartz & grit temper. 18g	dark grey surfaces	12-14th			
736	1	coarseware, reduced, limestone temper. 1g	oxidised inner surface	10-12th			4 x bone frags 30g
	1	coarseware, dark grey, limestone. 5g		12-14th			1 x burnt limestone, discarded. 8g
737							1 x small FLINT flake - blue - grey. <1g

GBT 05

context	{ _____ pottery _____ }				{ _ building materials _ }		miscellaneous
	qty	fabric & weight	surface	century	qty	description	
737 B	1	coarseware, dark grey gritty. 8g	black surfaces	12-14th			1 x bone frag 14g
738 B							2 x small bone frags <1g
740							1 x bone frag 3g
							1 x limestone frag 20g
742	1	base frag, grey sandy, small quartz temper. 20g	grey - brown sandy exterior	1st - 4th			
746	5	small coarsewares, reduced, various types. 6g	oxidised margin	12-14th			3 x bone & tooth. 9g
	1	coarseware, grey sandy. 14g	oxidised margin	14-16th			4 x slag/ cinder frags 6g
	2	Rims, joining, oxidised. 48g	yellow, green & brown glaze	17th			1 x clay pipe stem - discarded. 2g
	2	oxidised. 5g	yellow glaze	17th			1 x small green glass. <1g
748					1	small white mortar frag. <1g	1 x bone frag 10g
							1 x dark brown stone or ?burnt slate. 1g
							1 x small oyster frag. <1g
750	34	coarsewares, reduced, various types. 177g		11-14th			19 x animal bone frags. 151g
							1 x calcined bone. 2g
							2 x slag frags 17g, 7g
							13 x stones, mostly burnt. 459g
752	2	coarsewares, reduced, various types. 7g, 1g		11-13th			2 x bone frags & tooth. 9g
	1	grey sandy. 5g	grey grits, grey - brown, smooth outer finish	13-14th			
753 North	1	coarseware, reduced, grit temper. 5g	oxidised surfaces	12-14th			1 x Cu Alloy strip frag with pinhole. <1g. SF - 12

context	{ _____ pottery _____ }				{ _ building materials _ }		miscellaneous
	qty	fabric & weight	surface	century	qty	description	
754	3	coarsewares, reduced, various types. 13g		10-12th	1	white mortar frag. 2g	1 x small bone frag <1g
							1 x slag with vitreous surface. 3g
754 South	1	coarseware, reduced, limestone temper. 3g	oxidised surfaces	12-14th			2 x bone. 3g
	1	Rim, oxidised, sandy, grey core, black inner margin. 11g	orange - pink surfaces, spots of orange glaze	?13th			
756	1	coarseware, black, small limestone & quartz temper. 4g	outer 'skin' surface	10th			
759	1	reduced, limestone temper, thick. 8g		?I.A?			1 x bone frag 10g
							1 x large Fe bun, slag. 461g
							3 x charcoal frags. 2g
762 Upper	7	coarsewares, various types. 40g		11-13th	1	ceramic tile frag, spots of brown glaze. 23g. ?C13-14th	14 x small bone frags. 30g
	1	Rim, reduced. 10g. DWG 109	buff grey surfaces	12-14th	4	small lime ?mortar frags. 9g	2 x Fe slag. 239g, 51g
							1 x fired clay frag. 7g
							6 x small charcoal frags. 2g
							4 x limestones. 609g
762	3	coarsewares, reduced, various types. 23g	oxidised surfaces	12-14th			8 x small bone frags. 11g
	2	oxidised. 9g	green glaze & clear glaze	13-14th			1 x ?squared Lias stone 150g
							1 x small pale limestone frag. 12g

context	{ _____ pottery _____ }				{ _ building materials _ }		miscellaneous
	qty	fabric & weight	surface	century	qty	description	
762 Lower	1	Rim, reduced sandy. 5g	grits, oxidised surfaces	12-14th			1 x bone frag. 31g
							1 x yellow limestone ?Ham stone. 27g
763	1	base frag, coarseware, reduced, limestone temper. 22g		10-11th			1 x large bone frag = 89g, 5 x small bone frags = 8g. Total weight = 97g
	2	coarsewares, reduced, grit temper. 6g	voids on the surface	10-11th			1 x fired clay frag 32g
	3	small coarsewares, various. 5g		10-12th			1 x small Fe nail. 3g
	1	Rim, coarseware, grey, grey grit & quartz temper. 8g. DWG 78	oxidised surfaces	11-12th			1 x FLINT flake, blue - grey. 1g
	1	Rim frag, coarseware, grey, white & grey grit temper. 9g. DWG 80	oxidised surfaces, decoration on rim	11-12th			
764	1	coarseware, fine, reduced sandy fabric. 16g		?R.B			14 x bone frags. 73g
	1	Rim, dark grey, limestone temper, voids. 20g. DWG 1	black inner surface, voids, brown outer patches with voids	10th			1 x Fe slag. 38g
	10	coarsewares, various types. 46g		10-12th			1 x slag frag 20g
							1 x fired clay frag 2g
							1 x blue glass ?Modern? ?intrusion?. 3g. SF - 25
							1 x burnt Lias stone. 236g
							3 x pale limestone. 245g, 33g, 8g
						1 x Lias stone. 45g	
Clean- ing over 765	7	coarsewares, reduced, various types. 28g		10-14th			7 x bone & teeth. 19g

context	{ _____ pottery _____ }				{ _ building materials _ }		miscellaneous
	qty	fabric & weight	surface	century	qty	description	
765	14	coarsewares, reduced, various types. 42g		10-12th			12 x bone & teeth. 125g
	1	small Rim frag, black, grit temper. 4g		?12-14th			1 x FLINT flake - brown. 2g
							1 x ?spindle whorl frag - brown - ?shale - ?burnt. 5g. SF - 24
765 East	2	very small coarsewares. <1g		10-12th			2 x small bone frags 2g
							1 x small slag . 1g
							1 x small ?fired clay. 2g
							1 x small brown sandstone. 4g
							1 x burnt sandstone. 19g
							1 x small Lias stone frag. ?worked? 4g
765 West	10	coarsewares, reduced, various types. 53g		11-12th			37 x bone frags 184g
							1 x shiny black slag. 4g
							2 x small charcoal frags. <1g
							1 x worked, burnt, grey limestone. 194g
							1 x dense shell limestone, burnt. 81g
						1 x large cortical FLINT, worked edge, black. 11g	
765 West Middle	1	coarseware, dark grey to black, voids. 10g	brown surfaces, small voids	10th			5 x bone frags 139g

context	{ _____ pottery _____ }				{ _ building materials _ }		miscellaneous
	qty	fabric & weight	surface	century	qty	description	
765 West Lower	1	Rim, reduced. 10g. DWG 2	brown surfaces, voids	10th			8 x bone frags 23g
	2	coarsewares, reduced. 12g		12-13th			1 x Fe nail. 7g
							1 x large fired clay frag. 52g
							1 x fired clay frag. 15g
769 Surface	2	coarsewares, reduced. 13g		12-14th			
	1	hard orange. 19g	khaki - brown glazed outer surface over horizontal incised lines	16-17th			
	1	oxidised. 2g	brown outer glaze	17g			
769	4	small coarsewares, various types. 10g		12-14th	1	window glass sherd, green. 2g	2 x bone frags 7g
	1	reduced. 7g	oxidised surfaces, orange & blue glaze	16-17th	2	slate frags. 14g	1 x Fe slag. 26g
	3	oxidised. 10g	various brown glazes	18th			1 x black cinder/ slag frag. 2g
	1	Bristol/ Staffs. 21g		18th			
769 A	2	coarsewares, various types. 7g		10-13th			1 x tooth. 5g
	1	Rim, coarseware, reduced, quartz temper. 14g. DWG 113		12-14th			2 x Fe lumps. 17g, 7g
	1	coarseware, fine reduced. 2g	spot of brown glaze outside	12-14th			1 x bent Pb strip or tube. 22g
	3	glazed wares, various types. 29g	glazed surfaces	14-15th			1 x clay pipe stem frag - discarded. 1g
	1	Rim, reduced sandy. 15g	brown outer surface, orange - brown glaze inside	16-17th			
	1	Bristol/ Staffs. 27g	pie - crust edge	17-18th			

context	{ pottery }				{ building materials }		miscellaneous
	qty	fabric & weight	surface	century	qty	description	
769 B	1	Rim, coarseware, reduced. 9g	brown surfaces	12-14th			2 x bone frags. 10g
	2	small coarsewares. 3g, 2g		12-14th			2 x Fe slag. 97g
	3	glazed wares, various types. 5g	glazed surfaces	13-15th			2 x light grey, ashy slag. 13g
	2	glazed wares, various types. 6g	brown glazes	16-18th			1 x coal. 4g
	2	factory white wares. 2g		18-20th			
770	1	coarseware, grey, limestone temper. 6g	brown surface	10-12th			2 x glass sherds, clear/milky, vessel or cullet. 2g
771	11	coarsewares, various types. 92g		10-14th	2	slate frags. 37g	12 x bone frags. 85g
	1	Rim frag, coarseware, orange - brown sandy, partly reduced. 15g. DWG 118		12-14th	17	window glass sherds - green. 33g	1 x grey slag/ cinder. 1g
	1	Rim frag, coarseware, black gritty 17g. DWG 114		12-14th			1 x clay pipe stem, discarded. 1g
	3	glazed wares, various types. 25g	glazed surfaces	13-16th			1 x smooth grey, water worn stone. 118g
	10	various types. 93g	brown & yellow glazes	17-18th			1 x vessel glass - base frag - green. 4g
	2	Bristol/ Staffs ware. 2g		17-18th			1 x thick bottle glass - base frag - green. 31g
772	1	oxidised, sandy, grey core. 7g	inner orange - brown glaze	?13-15th		1 x burnt stone. 9g	12 x bone & teeth frags. 94g
							1 x fired clay frag. 1 x FLINT flake - dark grey. 1g
							1 x cortical FLINT flake, grey. 4g
							1 x Fe knife blade with tang. 64g. SF-21.DWG 156

context	{ _____ pottery _____ }				{ _building materials _ }		miscellaneous
	qty	fabric & weight	surface	century	qty	description	
773	1	Rim frag, BBW. 17g	black burnished	2nd - 4th			7 x small bone frags. 15g
							2 x sandy limestones, micaceous, partly burnt. 439g
775	11	coarsewares, various. 43g		11-14th			5 x bone frags 31g
	1	Rim, coarseware, grey, grit & quartz temper. 13g. DWG 107	sooty outside, micacious	12-14th			1 x Fe nail. 12g
	1	Rim frag, coarseware, reduced with brown grits. 18g		12-14th			1 x Cu alloy strip, curving, flat base. 2g. SF-15
	3	small coarsewares, reduced, various types. 7g		12-14th			
	2	reduced. 16g	glazed	13-14th			
	1	grey, fine white grit temper. 15g	oxidised inner surface, yellow & green glaze outside with applied strips	13-15th			
	1	base frag, grey, quartz & white grit temper. 28g	khaki glaze inside	14-15th			
778	10	coarsewares, reduced, various types. 61g		10-12th			10 x bone frags 34g
781	11	small coarsewares, reduced, various types. 48g		10-12th			15 x small bone & teeth frags. 47g
							2 x small fired clay frags. 3g
							6 x small stones, various. 29g
781 Base	1	Rim, grey, quartz temper, voids. 8g	black outer surface, brown inner surface	10th			1 x bone frag 12g
	1	coarseware, grey, limestone & grit temper. 7g	brown surfaces	10-11th			

context	{ _____ pottery _____ }				{ _ building materials _ }		miscellaneous
	qty	fabric & weight	surface	century	qty	description	
783	2	coarsewares, various. 12g		12-14th			2 x bone frags & teeth. 17g
	1	Rim, oxidised. 3g	orange glaze inside	16-17th			1 x fossil clam. 568g
784							1 x limestone. 9g
785							2 x joining bone frags. 136g, 29g
786	5	coarsewares, various types. 66g		11-14th			3 x bone frags. 38g
	1	Rim, coarseware, reduced. 10g. DWG 120	oxidised inner surface below clear glaze	12th-14th			2 x joining Fe bar frags with wood impressions inside + 2 x Fe pins through. 34g, 15g
							1 x Fe lump. 8g
787 East of 7031	1	BBW. 4g	black burnished	1st-4th	1	oxidised ceramic tile frag. 21g	15 x bone & teeth frags. 152g
	3	coarsewares, various types. 12g		10-12th			1 x Fe ?nail. 10g
	1	Rim, grey, quartz & brown grit temper. 20g. DWG 111	gritty brown surfaces, burnt outer surface	12-14th			1 x Fe slag. 7g
	21	coarsewares, various types. 117g		12-14th			1 x dark grey slag. 3g
	3	small coarsewares, various types. 7g		12-14th			1 x charcoal frag. <1g
	1	sandy grey, some fine limestone. 24g	pale grey inner, oxidised outer surface	13-14th			1 x grey slag/ cinder. 4g
	1	Bristol/ Staffs. 11g		17-18th			1 x clay pipe stem. 1g, C17-19th. Discarded

context	{ _____ pottery _____ }				{ _ building materials _ }		miscellaneous
	qty	fabric & weight	surface	century	qty	description	
788	1	small sherd, fine, light grey fb 2g	smooth black surfaces, micaceous	?R.B?			13 x bone frags. 76g
	1	Rim, black, quartz temper. 17g. DWG 67	brown outer surface, small voids	10-12th			1 x Fe nail. 11g
	1	coarseware, grey, abundant limestone grit temper. 12g		10-12th			
	1	coarseware, grey, limestone temper. 4	brown surface	11-13th			
	1	Rim, reduced. 18g	dark grey smooth sandy surfaces	11-14th			
	13	coarsewares, reduced, various types. 145g		11-14th			
	1	grey, quartz temper. 9g	orange outer surface	12-14th			
	12	coarsewares, various reduced. 140g		12-14th			
	5	coarsewares, reduced, grit temper. 43g	shiny patches inside	12-14th			
	1	light grey sandy. 4g	combed, wavy decoration below milky green glaze	12-14th			
	1	base frag, grey, grey grit temper. 38g	smooth brown outer surface, smooth grey inner surface	13-15th			
	1	oxidised, pale grey core, grey stone c.5mm temper. 18g	grey inner surface, brown & yellow outer glaze	13-15th			
	2	grey. 12g, 11g	green glazes	13-15th			
789	1	Rim, coarseware, reduced. 6g		11-13th			4 x bone frags 50g
	3	small coarseware, reduced, various types. 6g		11-13th			3 x small fired clay frags. 8g
	1	Rim, hard grey. 17g	thick green glaze inside & out, thumbled strip around the top	15-16th			
	2	oxidised, sandy. 9g	light brown glaze	15-16th			

context	{ _____ pottery _____ }				{ _ building materials _ }		miscellaneous
	qty	fabric & weight	surface	century	qty	description	
790					2	brick/ tile frags. 10g, 5g	8 x bone frags. 60g
							1 x Fe nail. 29g
							1 x coal. 6g
792	11	coarsewares, reduced, various types. 66g		10-13th			23 x bone frags. 91g
	1	coarseware, reduced, limestone & grit temper. 23g	spots of dull green glaze outside	12-13th			1 x FLINT flake - brown. 5g
							9 x various stones. 131g
793 North	3	joining frags, ?pedestal leg - black, limestone temper. 74g. DWG 46	brown 'skin' surface, "X" incised into the base	10-11th	1	burnt limestone with white mortar attached. 6g	8 x small bone frags. 24g
	3	coarsewares, various types. 19g		10-12th			1 x red sandstone frag. 8g
793 South	2	small coarsewares, various types. 4g		10-12th			6 x small bone frags. 10g
797	1	grey. 6g	oxidised, smooth surfaces, micaceous	13-14th			
7003	1	Rim, reduced, abundant limestone temper. 50g. DWG 62	oxidised surfaces	10-12th			13 x bone frags. 145g
	1	Rim, grey, limestone & quartz temper. 17g	pale oxidised surfaces, burnt outer surface	10-12th			
	1	coarseware, reduced, limestone temper. 5g	oxidised surfaces	10-12th			
	8	coarsewares, various. 70g		10-13th			
7003 A	1	Rim, reduced, limestone temper. 37g. DWG 34	dark brown outer surface, pale brown inner surface	10-11th			9 x bone frags. 69g
	1	Rim, reduced, limestone temper. 9g. DWG 63	brown surfaces, small voids	10-11th			
	10	coarsewares, various. 57g		10-11th			

context	{ _____ pottery _____ }				{ _ building materials _ }		miscellaneous
	qty	fabric & weight	surface	century	qty	description	
7005 F	1	Rim, black, abundant limestone temper. 6g		10th			5 x bone frags 13g
	1	reduced, limestone & grit temper. 17g	brown outer surface	10-12th			1 x red limestone. 38g
7007	1	small coarseware, black. 1g		12-14th			11 x bone & teeth. 99g
							1 x charcoal frag. <1g
7007 North	5	coarsewares, various. 18g		10-12th			22 x bone & teeth frags. 122g
							1 x slag frag 1g
Cleaning Above 7012							1 x cortical FLINT lump - grey. 6g
7013	2	coarsewares, reduced, limestone & grit temper. 35g, 5g	oxidised outer surface	11-12th			1 x bone frag, 26g
							2 x Fe nail frags. 19g, 13g
							1 x Fe staple. 20g. ?Mod.
							2 x slag, grey - green with white lime attached. 39g, 9g
7017	1	small coarseware, reduced. 1g		10-12th			1 x animal tooth. 11g
	1	coarseware, reduced, small quartz & grit temper. 7g		12-14th			1 x small FLINT flake frag, pale grey. <1g
	1	pale grey. 2g	green glaze	13-15th			
	1	reduced. 7g	green glaze	13-15th			
	1	small sherd, Bristol/ Staffs. 1g		17-18th			
	1	oxidised. 16g	inner clear glaze	18-19th			
	4	cream wares. 10g		18-19th			

context	{ _____ pottery _____ }				{ _ building materials _ }		miscellaneous
	qty	fabric & weight	surface	century	qty	description	
7018	1	very small, pale grey, fine, ?greyware. <1g	darker, smooth grey outer surface, ?R/B	1st-4th			2 x small bone frags 3g
	1	very small coarseware. <1g		?12-14th			2 x fired clay frags 4g
7020	1	coarseware, reduced, sandy. 4g	inner khaki - green glaze	12-13th	3	ceramic tile frags. 32g. C18-19th	c.20 x bone & teeth. 108g
	3	Rims, coarseware, reduced, various types. DWG 110 = 30g, DWG 115 = 7g and 1 x 7g	oxidised surfaces	12-14th			1 x Fe object/ ?nail. 13g
	7	coarsewares, reduced, various types. 55g		12-14th			2 x clay pipe stems. discarded. 6g
	5	oxidised, glazed wares. 48g	orange, brown or green glazes	17-18th			3 x coal frags. discarded. 20g
	1	Bristol/ Staffs ware. 6g		17-18th			
	1	oxidised. 2g	black glaze	18th			
	2	oxidised. 3g, 2g	shiny brown glaze	18-19th			
	2	white ware. 11g	discarded	18-19th			
7022	4	coarsewares, reduced, various types. 23g		12-14th			8 x bone frags 120g
	1	grey. 12g	grey grits, orange & green glaze inside & out	15-16th			
7024	5	small coarsewares, reduced, various types. 10g		12-14th			13 x small bone frags. 9g
							1 x grey Fe slag. 19g
							1 x glassy slag & oven lining. 12g

context	{ _____ pottery _____ }				{ _ building materials _ }		miscellaneous
	qty	fabric & weight	surface	century	qty	description	
7026	1	small frag, reduced, ?BBW. 1g	black	1st - 4th			8 x bone frags & tooth. 34g
	1	coarseware, oxidised, grey core, grit temper, voids. 4g	brown inner surface	10th			1 x small fired clay frag. <1g
	5	coarsewares, reduced, various types. 23g		10-11th			1 x red limestone. 15g
							1 x grey limestone. 17g
							1 x FLINT flake, grey - brown. 3g
7027	1	Rim, coarseware, reduced, gritty. 10g	brown surfaces	12-14th			2 x bone frags. 26g
	1	oxidised, grey core. 3g	brown glaze	17th			1 x Fe object. 20g
	1	base frag, pale pink. 6g	thick white glaze	?17th			
7031							2 x small bone frags. 3g
							1 x cortical FLINT lump, crazed, grey. 9g
7037 From Section	1	coarseware, reduced, voids. 1g		10-11th			2 x bone frags. 15g
	1	coarseware, reduced. 6g	brown surface with a spread of white lime adhering	11-13th			
7039	1	hard grey. 5g	oxidised inner surface, gritty green - brown glaze out	13-14th			3 x bone frags 8g
	1	grey, sandy. 6g	oxidised inner surface, gritty green - brown glaze out	14-16th			
	1	reduced, oxidised inner margin. 6g	dark brown/ black glaze inside & out	15-16th			
7043							1 x scapula bone frag. 147g

context	{ _____ pottery _____ }				{ _ building materials _ }		miscellaneous
	qty	fabric & weight	surface	century	qty	description	
7043 A Top of Ditch	2	base frags, coarsewares, various. 25g		10-12th			11 x bone frags & teeth 113g, plus 1 x bone - scapula. 289g. Total weight = 402g
	4	coarsewares, various. 23g		10-12th			1 x Fe slag. 34g
7043 B	7	coarsewares, various. 76g		11-13th			3 x bone frags & teeth. 140g
	1	Rim, reduced, quartz temper, some limestone. 19g. DWG 94		12-13th			
7043 C	1	coarseware, reduced, limestone temper. 10g. DWG 13	oxidised outer surface with rosette stamp. SF - 20	10-11th			3 x bone frags. 57g
	1	Rim, reduced, limestone temper. 12g. DWG 59	oxidised surfaces	10-12th			
	1	Rim, reduced, quartz temper. 6g. DWG 64	black, gritty surfaces	10-12th			
	2	coarsewares, various. 15g		11-12th			
7043 D	1	coarseware, reduced, abundant limestone temper. 8g		10-12th			1 x bone frag 11g
7044							1 x bone frag 1g
							1 x small FLINT flake, patinated. <1g
							1 x FLINT flake, light brown. 2g
							1 x small frag, FLINT pebble. 2g

context	{ _____ pottery _____ }				{ _ building materials _ }		miscellaneous
	qty	fabric & weight	surface	century	qty	description	
7047	1	small Rim frag, dark grey, quartz & grit temper, voids. 6g	brown surface with voids	10-11th			16 x bone frags & teeth. 210g
	1	large sherd, grey, limestone & grit temper. 68g	brown surfaces, voids, incised lines	10-11th			1 x small Fe nail frag. 2g
	25	small sherds, coarsewares, reduced, limestone temper. 81g	surface voids	10-11th			
	10	coarsewares, various types. 46g		10-13th			
	1	Rim, hard grey, grit temper. 7g		11-13th			
7048	1	Rim, dark grey sandy. 10g. DWG 68	black surfaces	10-13th			18 x small bone frags. 152g
	5	coarsewares, reduced, various types. 19g		12-14th			1 x white shelly limestone. 4g
	1	grey. 19g	brown inner surface, eternal green glaze	13-14th			4 x charcoal. 2g
7049	1	large Rim frag, reduced, limestone temper. 98g. DWG 33	oxidised surfaces, small voids, friable	10-11th			4 x bone frags & teeth. 34g
	9	Rim frags, possibly same pot as above. 113g	oxidised surfaces, small voids, friable	10-11th			
	3	base frags, as above. 132g	oxidised surfaces, small voids, friable	10-11th			
	60	small sherds, as above. 339g	oxidised surfaces, small voids, friable	10-11th			
7050	1	very small coarseware, reduced. <1g		?12-14th			1 x bone frag. ?For C14 sample? 56g. SF - 13
7051							1 x Fe slag. 6g
7052	1	small coarseware sherd, reduced. 1g		?12-14th			1 x small Fe slag. 7g

context	{ pottery }				{ building materials }		miscellaneous
	qty	fabric & weight	surface	century	qty	description	
7054	1	coarseware, reduced, fine quartz temper. 11g	part oxidised surfaces	12-14th	5	lumps of white lime mortar/ plaster. 34g	9 x bone & teeth. 26g
	1	coarseware, hard grey. 16g	brown outer surface, spots of brown glaze inside & out	13-14th			1 x Fe object/ lump. 29g
	1	coarseware, fine grey, limestone temper up to 5mm, micacious. 8g		13-15th			2 x joining frags of ?Kimmeridge? Shale, black, broken over ?fossil?, with 1 x sawn edge. 15g
	1	pale oxidised. 17g	orange inner & khaki green outer surfaces	15-16th			
7056	1	small coarseware sherd. 1g		10-12th			5 x bone frags. 41g
	1	oxidised, pale core. 64g	inner light brown glaze	17-18th			1 x coal / cinder. 8g
7060							1 x burnt stone. 1g
7066	1	coarseware, reduced. 2g	oxidised outer surface, dark grey inner	12-14th	1	lime mortar lump. 7g	1 x coal frag. <1g
7068	1	small coarseware, reduced, quartz temper. 1g		?12-14th			1 x FLINT flake, grey - brown. 2g
7072	1	Rim, pale grey, limestone temper. 59g. DWG 37		10-11th			1 x large bone frag 95g
	1	Rim, pale grey, limestone temper. 14g. DWG 44	black inner surface	10-11th			5 x bone frags & teeth. 59g
	1	Rim, grey, quartz temper. 11g	brown outer surface, pale brown inner surface	11-12th			2 x fired clay frags 11g, 6g
	15	coarsewares, reduced, various types. 350g		10-13th			

context	{ _____ pottery _____ }				{ _ building materials _ }		miscellaneous
	qty	fabric & weight	surface	century	qty	description	
7073	4	1 x large handle + 2 x joining sherds + 1 x sherd (same pot) reduced, abundant limestone temper. Handle = 393g, joining sherds = 102g, 98g. DWG 47 = 1 x handle	oxidised outer surface, many small voids, inner ?lime scale? concretion	10-11th			1 x rib bone (levelled in) ?C14 Sample. 69g
	6	reduced, various types, limestone temper. 134g	surface voids	10-11th			20 x bone frags. 337g
	6	large sherds, fairly hard, reduced, limestone temper. 328g	oxidised & reduced surfaces	10-11th			
7074	1	?Rim, coarseware, reduced, gritty. 14g	brown surfaces, incised decoration, ?plate frag	10-12th			3 x bone frags & teeth. 145g
	3	coarsewares, reduced, various types. 53g		12-14th			
7075	1	Rim, coarseware, grey, limestone & quartz temper. 18g. DWG 57	pale grey inner surface, brown outer, small voids	10-12th			5 x bone frags. 112g, plus 1 x bone = 257g
	6	coarsewares, reduced, various types. 54g		11-13th			
	1	Rim, coarseware, grey. 7g	sandy, brown surfaces	12-14th			
	1	Rim, grey - brown, quartz temper. 20g. DWG 116	brown surfaces	12-14th			
Clean- ing over 7076	3	coarsewares, reduced, various types. 7g		12-14th			7 x bone frags & tooth. 7g

context	{ _____ pottery _____ }				{ _ building materials _ }		miscellaneous
	qty	fabric & weight	surface	century	qty	description	
7076	6	small coarsewares, reduced, various types. 22g		12-14th			6 x small bone frags. 9g
	1	reduced, sandy. 14g	oxidised inner surface, pale brownish - green glaze outer surface	13-14th			1 x small shiny slag frag. 3g
							1 x Pb strip or clamp with 2 x holes. Similar to SF - 2. 21g. SF - 14.
7077	22	coarsewares, various types. 93g		10-14th			23 x bone frags & teeth. 77g
	1	Rim, waster , oxidised, sandy. 53g. DWG 143	orange and orange - green outer glaze over breaks, stabbed decoration on handle stub	13-14th			3 x fired clay frags. 7g
	1	fine grey. 3g	gritty green outer glaze	13-14th			1 x FLINT lump - grey. 28g
							1 x charcoal. <1g
7080	1	small coarseware, grey, limestone temper. 37g	oxidised surfaces	10-12th	2	white lime plaster frags with charcoal inclusions. 4g, 2g	9 x bone frags. 55g
	1	small coarseware, reduced. 1g	brown surfaces	10-12th	2	small slate frags. 2g	2 x Fe lumps. 31g, 8g
							1 x small FLINT flake frag - pale grey. <1g
7082	13	coarsewares, reduced, various types. 135g		10-13th			14 x bone & teeth. 215g
	1	Rim, brown, limestone & quartz temper, grey core. 6g		11-12th			2 x Fe nail frags. 10g, 10g
	1	Rim, reduced, grit temper. 11g	brown inner surface	12-13th			
	2	coarsewares, reduced. 9g, 5g	dull green glaze	12-13th			
	5	glazed wares, reduced various types. 30g	various glazes	12-13th			

context	{ _____ pottery _____ }				{ _ building materials _ }		miscellaneous
	qty	fabric & weight	surface	century	qty	description	
7085	1	Rim, grey, limestone temper. 20g	oxidised patches on the surfaces	11-12th			18 x bone frags 141g
	12	coarsewares, various reduced. 83g		11-13th			1 x Fe slag. 44g
							3 x fired clay frags 10g, 5g, 3g
							1 x red limestone. 4g
							1 x white lime. 4g
7087							1 x bone frag 2g
							1 x burnt stone - discarded. 3g
7088	1	Rim, coarseware, grey, gritty. 6g	brown margins, black surfaces	10-12th			6 x bone frags 21g
	1	coarseware, black inner & brown outer. 4g		10-12th			
7088 North	2	coarsewares, various, reduced, limestone temper. 21g, 8g	oxidised surface	10-12th			4 x small bone frags. 8g
							1 x white quartz pebble. 8g
7090 Bag A	13	coarsewares, reduced, various types. 67g		11-13th			11 x bone frags 86g
							1 x Fe slag. 71g
7090 Bag B	1	Rim, coarseware, reduced, sandy, grit temper. 24g DWG 58		10-12th			6 x bone frags & tooth. 16g
	20	coarsewares, reduced, various types. 96g		10-12th			3 x fired clay frags 18g
							1 x charcoal frag. <1g
							1 x Cu alloy pin or nail - SF - 16. 1g

context	{ _____ pottery _____ }				{ _ building materials _ }		miscellaneous
	qty	fabric & weight	surface	century	qty	description	
7090 Bag C	16	coarsewares, reduced, various types. 88g		11-14th			9 x bone frags 68g
	1	Rim, internal rim, grey. 8g	oxidised inner surface	12-14th			1 x fired clay frag, 5g
7090 Bag D	2	coarsewares, reduced, limestone & quartz temper. 3g, 1g	brown surfaces	12-14th			8 x bone frags & teeth. 33g
							1 x charcoal lump. 1g
7090 Bag E	2	small coarsewares, oxidised, grey core. 2g		10-12th			
7094							1 x burnt bone frag 1g
7095 Base	1	base frag, BBW. 13g	black burnished	1st - 4th			
	1	small sherd, BBW. 2g	black burnished	1st - 4th			
7096	1	Rim, reduced, limestone & quartz temper. 26g. DWG 79	oxidised outer surface, gritty	11-12th			6 x small bone frags. 13g
	3	coarsewares, reduced, various types. 21g		11-12th			1 x oyster shell frag. 2g
7097	1	grey sandy, fine quartz temper, ?BBW. 22g	black surfaces. ?R/B	?1st-4th			
7105	1	Rim, grey, limestone, quartz & grit temper. 32g. DWG 38	partly oxidised inner surface, surface voids	10-11th			1 x large bone frag. 166g
	6	coarsewares, reduced, various types. 72g		10-11th			2 x bone frags. 38g
7106	1	Rim, light grey, small voids. 6g	oxidised wiped surfaces, small voids	10th			4 x bone frags. 32g
	1	coarseware, hard grey sandy. 6g		11-13th			
7107	1	oxidised. 6g	grey outer surface, surface voids	10-11th			4 x bone frags. 371g
							11 x oyster shells. 200g

context	{ _____ pottery _____ }				{ _ building materials _ }		miscellaneous
	qty	fabric & weight	surface	century	qty	description	
7110 A	1	Rim, coarseware, dark grey, abundant limestone temper. 22g. DWG 40	brown surfaces	10-11th			22 x bone & teeth frags. 285g
	1	Rim, grey, limestone & grit temper. 19g. DWG 39	light brown surfaces	10-11th			1 x tooth or tusk. 5g
	7	coarsewares, various reduced. 84g		10-13th			1 x sawn antler frag. 34g
7110 B	1	Rim, dark grey, limestone temper. 7g. DWG 4	brown surfaces with voids	10th			
	10	coarsewares, various reduced. 77g		10-12th			
7111	7	small coarsewares, reduced, various types. 36g		10-12th			6 x small bone frags. 10g
7116	1	grey, limestone & black grit temper. 33g	brown inner surface, voids, messy brown glazed outer surface	?11-12th			22 x bone frags. 642g
	3	coarsewares, reduced, various types. 33g		11-13th			1 x Fe nail frag. 15g
	1	grey, sandy. 9g	light brown inner surface, orange outer surface below green - brown glaze over white slip & incised line decoration	13th			
	1	oxidised, sandy. 3g	reduced outer surface below patchy brown - green glaze	13-14th			
7122							7 x bone frags 20g
							2 x slag. 11g, 1g
							1 x red limestone. 6g
7125							1 x bone frag. 12g
							1 x black ?tap? Slag. 15g
							charcoal frags (? for C14). 7g

context	{ _____ pottery _____ }				{ _ building materials _ }		miscellaneous
	qty	fabric & weight	surface	century	qty	description	
7127	1	very small coarseware frag. <1g					1 x small bone frag. <1g
7129							2 x small bone frags. 4g
							1 x fired clay frag. 3g
							1 white quartz pebble. 3g
7130	1	Rim, reduced, fine limestone & grit temper. 10g. DWG 43	orange surfaces, voids	10-11th			1 x FLINT, blade core, patinated. 49g
	1	Rim, frags, reduced, limestone temper. 5g	brown surfaces	10-11th			
	4	Rims, reduced, various types. 18g, 17g, 10g, 9g. DWG's 53 / 54 / 55 / 56		10-12th			
	10	coarsewares, reduced, various types. 138g		10-12th			
	1	coarseware, reduced, limestone 7 grit temper. 15g	oxidised inner surface, dull green outer glaze over ?tripod legs	?12th			
7131							2 x bone frags. 2g
7136	1	coarseware, dark grey, quartz temper. 11g	black outer surface	12-14th			
7137 Clean- ing	1	base frag, ?BBW. 5g		?1st - 4th			1 x bone frag 6g
	1	Rim, grey. 7g. DWG 119	dark grey surfaces	12-14th			1 x Fe lump. 58g
	1	Rim, buff, limestone & grit temper. 10g. DWG 105	grey outer surface, micaceous	12-14th			
	1	Rim & handle frag, grey, fine limestone temper, pale margins. 117g	slashed handle, gritty green glaze	12-14th			
	9	coarsewares, reduced, various types. 55g		12-14th			
	1	base frag, oxidised, grey core. 46g	thumbed base, light brown surfaces, patches of amber glaze	13-14th			
	3	glazed wares, various types. 6g	glazed surfaces	13-15th			

GBT 05

context	{ _____ pottery _____ }				{ _building materials _ }		miscellaneous
	qty	fabric & weight	surface	century	qty	description	
7137 Spit A	5	small coarsewares, various types. 13g		10-13th			12 x bone frags. 153g
	2	glazed wares, various types. 8g		13-14th			2 x joining, reduced with limestone temper, ?pottery or ?fired clay. 14g
							2 x fired clay frags. 6g, 5g
							1 x charcoal frag. <1g
7137 Spit B	10	coarsewares, various types. 56g		10-12th			11 x bone frags. 147g
	2	joining sherds, sandy pale oxidised, grey core. 10g	mottled green glaze	13-14th			1 x calcined bone frag. 1g
7139							1 x Fe lump. 8g
7140							2 x bone & teeth frags. 17g
7141	5	coarsewares, reduced, various types. 35g		11-14th			3 x small bone frags. 5g
	1	pale oxidised, sandy, ?Bristol/ Staffs. 6g	yellow shiny glaze inside & out	17-18th			
7142	1	Rim, brown, grey core, fine limestone temper. 24g. DWG 45	partly reduced outer surface	10-11th			1 x bone frag 45g
							1 x pink limestone with quartz ?burnt. 425g
							1 pale yellow fossiliferous limestone. 285g

context	{ _____ pottery _____ }				{ _ building materials _ }		miscellaneous
	qty	fabric & weight	surface	century	qty	description	
7142 East - Surface	1	coarseware, reduced sandy. 15g		12-14th			
7142 East	1	Rim, coarseware, grey, limestone & quartz temper. 26g	darker grey inner, oxidised outer with brown 'skin' outer surface, abraded	10-11th			c.30 x bone frags. 211g
	15	coarsewares, reduced various types. 68g		10-12th			1 x small red sandstone frag. 3g
							1 x small brown ?quartz. 2g
7143							1 x worked FLINT flake, white. 4g
7150	5	coarsewares, reduced, various types. 25g		12-14th	1	oxidised, brick/ tile frag. 2g. n.d	14 x small bone frags & teeth. 48g
							1 x small purple stone. 3g
7151	1	small coarseware. <1g		12-14th			2 x bone frags. 17g
	2	joining Rims, grey - brown, quartz temper. 60g	black outer surface & brown inner surface	14-15th			
7159	1	coarseware, quartz & grit temper. 4g		12-14th	2	small white mortar lumps with ?charcoal inclusions. <1g	3 x bone frags. 8g
							1 x fired clay. 1g
							1 x black slag or cinder. 2g
							1 x coal. 2g
7160	2	coarsewares, reduced, various types. 1g, <1g		12-14th			

context	{ _____ pottery _____ }				{ _ building materials _ }		miscellaneous
	qty	fabric & weight	surface	century	qty	description	
7162	1	small sherd, coarseware, reduced, limestone temper. 2g	brown surface	?Prehist. or ?med.			2 x small bone frags. 1g
							1 x calcined bone frag. <1g
							1 x FLINT lump, patinated. 5g
7166							4 x small bone frags. 5g
							1 x fired clay. 5g
7172	1	coarseware, grey sandy, fine black grits. 26g		12-14th			2 x bone & teeth frags. 14g
							5 x fired clay frags. 60g
							2 x brown sandstones, micaceous. 19g
7174							5 x bone frags. 39g
							1 x fired clay. 7g
7179 B						1 x very small fired clay frag. <1g	
7189	1	black, abundant small quartz temper. 4g		? R/B or medieval	3	white frags lime ?mortar? Plaster?. 13g	8 x bone frags. 32g
							1 Cu alloy strap end with decoration. SF - 22 DWG 154
7191 Base							1 x Fe slag. 206g
							1 x FLINT flake/ ?tool, worked edge, grey. 4g
							1 x FLINT flake, grey - brown. 1g

context	{ _____ pottery _____ }				{ _ building materials _ }		miscellaneous
	qty	fabric & weight	surface	century	qty	description	
7192	1	orange, grog & ?Fe slag >10mm temper. 19g	grey surfaces	10-11th			1 x bone frag. 1g
							5 x fired clay frags. 14g
							1 x FLINT flake - grey. 3g
Area 6 U/S							
Area 6 U/S M (machining)	5	coarsewares, reduced, various types. 51g		10-14th	1	ceramic ridge tile, oxidised & reduced fabric, brown glaze - waster . 28g. C13-14th	
	1	Rim, coarseware, reduced. 16g		12-14th	1	ceramic tile frag, oxidised fabric, brown glaze - probable waster . 28g. C13-14th	
	2	joining handle frags, oxidised. 108g	orange & brown glaze - wasters	13-14th			
	2	glazed wares, various types. 14g		13-15th			
Area 6 U/S Cleaning							1 x Cu alloy strip. <1g. SF - 1
Area 6 U/S	1	Rim, oxidised, grey core. 16g DWG 26	surface voids	10-11th	4	ceramic tile frags, various types, various glazes, wasters . 170g, 56g, 41g, 27g. C13-15th	2 x fired clay frags. 15g, 13g
	4	same pot, light pink, sandy. 23g	yellow/ green glaze, iron specks	13-14th	1	ceramic tile frag, oxidised fabric, brown glaze above, possible waster . 24g. C14-16th	

context	{ _____ pottery _____ }				{ _ building materials _ }		miscellaneous
	qty	fabric & weight	surface	century	qty	description	
	1	smooth oxidised. 9g. DWG 132	black grits, green & yellow glaze above applied flower decoration	13-14th			
	1	grey, sandy. 44g	oxidised surfaces, thick brown & green glazed outer surface	13-14th			
	1	handle frag, oxidised, 58g	patchy green glaze, warped, waster	13-14th			
	1	reduced. 16g	gritty glaze, waster	13-15th			
	2	earthenwares, various types. 34g, 8g		13-15th			
	1	Rim and Handle, dark grey, 105g. DWG 139	brown surfaces, patchy green glaze	14-15th			
(C = surface cleaning bags) Area 6 U/S C - Bag 1	1	Rim, coarseware, grey, quartz & grit temper. 14g. DWG 121	brown surfaces	12-14th			21 x bone frags & teeth. 86g
	1	Rim, coarseware, grey, quartz temper. 10g. DWG 122	pale oxidised surfaces	12-14th			1 x large Fe slag bun. 488g
	24	coarsewares, reduced, various types. 93g		11-15th			
	2	coarsewares. 5g, 4g	patchy glazed surface	12-13th			
	6	glazed wares, various types. 32g	various glazes	12-13th			
Area 6 U/S C - Bag 2	11	coarsewares, reduced, various types. 37g		11-14th			14 x bone frags & teeth. 38g
	1	reduced. 3g	brown glaze out over incised line decoration	12-14th			6 x slag. 94g
	1	grey, abundant fine limestone temper. 30g	oxidised surfaces with patchy glaze, probable waster	13-14th			2 x small tarmac frags - modern - discarded. 2g
Area 6 U/S C - Bag 3	1	Rim, dark grey, grit temper, brown margin. 5g. DWG 52	black outer surface	10-12th			2 x slag. 13g
	5	glazed wares, various types. 16g	various glazes	13-14th			
	1	oxidised. 10g	orange - brown glaze on the outer	15-16th			
	1	base, hard grey. 34g	dark green - brown glaze, waster	13-14th			

context	{ _____ pottery _____ }				{ __building materials __ }		miscellaneous
	qty	fabric & weight	surface	century	qty	description	
Area 6 U/S C - Bag 4	4	small coarsewares, reduced, various types. 3g, 2g, 1g, 1g		11-14th			2 x bone & tooth. 8g
							6 x slag. 73g
							1 x limestone with ?glaze attached? 4g
Area 6 U/S C - Bag 5	2	coarsewares, reduced, various types. 14g		12-15th			7 x bone frags 41g
	1	oxidised, grey core. 23g	clear glaze	16-17th			1 x coal. discarded. 3g
	3	factory stonewares. 35g		18-19th			
Area 6 U/S C - Bag 6	1	base frag, hard grey. 8g	brown surfaces, thick green glaze	13-14th			
	1	pale oxidised. 2g	applied boss & strip decoration	13-14th			
	1	small reduced. 1g		n.d			
Area 6 U/S C - Bag 7	1	hard grey. 13g	light brown inner surface, khaki brown glaze on outer surface over applied strip	13-14th			
	1	grey sandy. 9g	inner dark green glaze	16-17th			
Area 6 U/S C - Bag 8	1	small coarseware, reduced. 2g	brown outer surface & spots of clear glaze	12-13th			22 x bone frags & teeth. 124g
	1	Rim, reduced. 8g	brown surfaces	12-14th			2 glassy slag frags. 1g, 1g
	9	coarsewares, various types. 37g		12-15th			3 x fired clay frags. 11g
	1	hard grey. 1g	spots of dark grey glaze	13-14th			
Area 6 U/S C - Bag 9	1	coarseware, reduced. 4g	splashes of green & clear glaze	12-13th	1	ceramic ridge tile frag, oxidised, thick green glaze, waster. 71g. C13-15th	5 x fired clay. 41g
	8	coarsewares, reduced. 28g		12-15th			
	4	glazed wares, various types. 13g		12-15th			
	1	factory white ware. 4g	discarded	19th			

context	{ _____ pottery _____ }				{ _ building materials _ }		miscellaneous
	qty	fabric & weight	surface	century	qty	description	
U/S C N Facing Section Area 6	12	coarsewares, reduced, various types. 80g		12-14th			19 x bone & teeth. 201g
	7	glazed wares, various types. 28g	various glazes	13-14th			12 x fired clay & oven lining. 215g
	3	glazed wares, various types. 38g	various glazes, probable wasters	13-14th			1 x hard purple ?sandstone with vitreous surface deposit. 25g
U/S C E Facing Section Area 6	8	Rims, coarsewares, reduced, various types. 82g		10-14th	5	ceramic tiles & ridge tiles, glazed, wasters . 325g. C13-14th	28 x bone frags 399g
	77	coarsewares, reduced, various types. 472g		10-14th	1	?ceramic tile frag, reduced, sandy fabric, oxidised surfaces, orange & green glaze. 43g. C16-17th	1 x Fe slag. 94g
	1	Rim, coarseware, reduced, quartz & grit temper. 92g		11-13th			1 x fired clay frag 33g
	1	Rim, coarseware, reduced. 19g	brown outer surface	12-14th			1 x Lias stone, burnt, scratched surface. 118g
	26	glazed wares, various types. 276g	various glazes	12-15th			1 x FLINT lump, black. 4g
	5	wasters , various types. 72g		13-14th			
	1	handle frag, oxidised, grey core. 50g	patchy green glaze	14-16th			
U/S C; S Facing Section Area 6	11	coarsewares, reduced, various types. 26g		11-14th			1 x slag, Fe bun. 139g
	10	glazed wares, various types. 81g		13-16th			
	1	Rim, flower pot. 5g		n.d			
U/S C W	1	coarseware. limestone temper. 4g	brown surface	10th			
	1	oxidised, grey core. 3g	white slip & green glaze	13-14th			

GBT 05

Facing Section Area 6	1	oxidised. 10g	orange & brown glaze	17-18th			
context	{ pottery }			{ building materials }		miscellaneous	
	qty	fabric & weight	surface	century	qty		description
Area 7 U / S							
Area 7U/SM (M = machining bags)	1	coarseware, reduced. 16g		12-14th			
	2	various glazed wares. 9g	glazed	13-15th			
	1	base frag, hard grey. 27g	light brown slip inside, dark brown glaze outside	15-16th			
Area 7 N, U/S M	1	coarseware, reduced. 5g		12-14th			
	1	hard grey. 16g	gritty green glaze on outer surface	13-14th			
	1	rim, oxidised. 10g	inner light brown glaze	17-18th			
	1	oxidised. 10g	orange - brown glaze	17-18th			
	1	Rim, oxidised. 33g	inner brown glaze	18-19th			
	1	blue transfer ware. 6g	discarded	18-19th			
Area 7, U/S M Bag 2	22	coarsewares, reduced, various types. 208g		10-14th			
	1	Rim, coarseware, reduced. 47g. DWG 126	oxidised & reduced surfaces	12-14th			
U/S M Bag 2	3	Rims, coarsewares, reduced, various types. DWG 123 = 22g, DWG 124 = 20g, DWG 125 = 18g		12-14th			
	5	glazed wares, various types. 43g		13-15th			
	1	Rim, hard mauve. 54g	black glaze, waster	13-15th			
	1	base, reduced. 76g	hard, patchy brown glaze, possible waster	14-16th			
	1	Handle frag, oxidised, grey core.	clear glaze 16g	15-17th			

GBT 05

	1	base/ body sherd, smooth oxidised. 80g	brown outer glaze, possible waster	16-17th			
context	{ pottery }			{ building materials }		miscellaneous	
	qty	fabric & weight	surface	century	qty		description
Area 7 Phase 2 U / S							
Area 7 U/S C Bag 1	1	Rim, grey. 14g. DWG 91	brown inner surface	12-13th			1 x large - smooth - grey slag. 133g
	4	coarsewares, various types. 14g		12-14th			3 x slag. 46g
	4	glazed wares, various types. 21g	various glazes	13-16ty			
Area 7 U/S C Bag 2	5	Rims, reduced, various types. 7g, 5g, 5g, 4g, 3g		10-12th			1 x fired clay. 23g
	19	coarsewares, various types. 115g		10-15th			1 x vessel glass sherd, pale green, patinated. 1g
	1	base, pale oxidised, grey core. 33g	pale green glaze on outer surface	13-14th			1 x FLINT, cortical flake, brown. 5g
	2	glazed wares, various types. 7g	various glazes	13-14th			
Area 7 U/S C Bag 3	1	Rim, coarseware, oxidised. 12g	orange surfaces	12-14th			3 x slag. 62g
	5	coarsewares, reduced, various types. 16g		12-14th			
	1	Rim, hard oxidised, grey core. 6g	green - brown glaze out	16-17th			
	1	oxidised. 2g	yellow & brown glaze	17th			
	1	hard, off-white. 12g	brown glazed inner surface, yellow glaze out with applied decoration, blue & green glaze	18-19th			
Area 7 U/S C Bag 4	4	coarsewares, various types. 13g		12-14th	1	ceramic ?ridge tile, oxidised fabric. 29g. C13-14th	1 x FLINT flake, black. 4g
	1	base frag. 14g	khaki - brown glaze	13-14th			2 x slag. 13g
	1	oxidised. 9g	inner brown glaze	17th			
	1	blue factory ware. 2g		19-20th			

GBT 05

context	{ pottery }				{ building materials }		miscellaneous
	qty	fabric & weight	surface	century	qty	description	
Area 7 U/S C Bag 5	17	coarsewares, various types. 76g		11-14th			
	1	coarseware, oxidised. 2g	clear glaze	12-13th			
	1	grey. 4g	oxidised inner surface, white strip & mottled green glaze out	13-14th			
	1	Rim, pale grey. 6g	pale oxidised surfaces, micaceous	14-16th			
	1	Rim, oxidised. 7g	orange & yellow glaze	17-18th			
Area 7 U/S C Bag 6	3	coarseware sherds, reduced, various types. 13g		11-13th			1 x cortical FLINT flake - grey. 5g
	1	grey sandy, small quartz & fine limestone temper. 3g	oxidised surfaces with spots of clear glaze	13-14th			
Area 7 U/S C Bag 7	1	Rim, reduced, fine limestone temper. 9g. DWG 8	brown 'skin' surfaces, small voids	10th			5 x bone frags & teeth. 213g
	1	Rim, light grey, small voids. 8g. DWG 7	grey surfaces, small voids	10th			2 x slag. 5g
	1	Rim frag, grey. 42g	sandy orange surfaces	10-12th			2 chert/ FLINT flakes <1g
U/S C Bag 7	18	coarsewares, various types. 75g		10-13th			3 x stones. 37g
	1	Rim, grey, small quartz temper. 17g	brown outer surface	11-13th			
	1	grey. 6g	micaceous, brown outer surface, patchy green glaze	12-13th			
	1	pink. 5g	light brown glaze	13th			
Area 7 U/S C Bag 8	1	Rim, grey, voids, limestone temper. 24g. DWG 5	brown surfaces, voids	10th			1 x glassy slag, grey - green, + oven lining. 8g
	1	Rim, light grey, voids. 16g. DWG 6	black inner surface, voids on inner & outer surfaces	10th			1 x FLINT flake - grey. 3g
	2	coarsewares, various types. 13g		10-12th			
Area 7 U/S C Bag 9	6	coarsewares, reduced, various types. 27g		10-14th			1 x glass vial, bent neck, Fe screw cap. 44g. C19-20th
	1	Rim frag, reduced, quartz temper, micaceous. 13g. DWG 82	black surfaces	11-13th			1 x FLINT flake, grey - brown. 6g
	1	Rim, grey sandy. 9g. DWG 127	smooth light brown surfaces	12-14th			

GBT 05

	4	glazed wares, various types. 17g	glazed surfaces	14-16th			
	6	glazed wares, various types. 108g	glazed surfaces	17-19th			
context	{ pottery }				{ building materials }		miscellaneous
	qty	fabric & weight	surface	century	qty	description	
Area 7 U/S C Bag 10	2	coarsewares, reduced, various types. 10g		12-14th			
	1	Rim, hard grey. 7g	inner khaki glaze	15-16th			
	3	oxidised, various types. 17g	glazed	15-17th			
Trench 7 U/S M 2nd Phase	4	coarsewares, reduced, various types. 57g		12-14th			
	1	sandy grey. 38g	oxidised outer & khaki green glazed inner	17-18th			
	1	Rim, hard orange, grey core. 60g	dark green - brown glaze inside	17-18th			
	1	handle, hard oxidised, grey core. 99g	orange/ green glaze	17-18th			
	1	Rim, hard oxidised, grey core. 59g	patchy brown glaze inside	C18th			
	1	oxidised sherd. 6g		n.d			
Tr.7 U/S Cleaning North End, 2nd Phase	1	BBW. 9g	black burnished	1-4th	1	ceramic tile frag, oxidised, micaceous. 47g	
	1	Rim, coarseware, grey, white grit temper. 7g		12-14th			
	1	pale grey, large grey grit temper. 12g	oxidised surfaces, patchy green & clear glaze out	12-14th			
	1	hard pale grey, fine black grit temper. 6g	oxidised inner, milky green glazed outer surface	13-14th			
	1	spout, sandy oxidised, pale grey core. 73g	light brown patchy glaze & clear glaze with lead (Pb) Pot mend attached SF-19	15-16th			
U/S							
U/S General	1	Rim, coarseware, reduced. 24g	gritty, brown surfaces, burnt	12-14th			
	3	coarsewares, various types. 21g		12-14th			

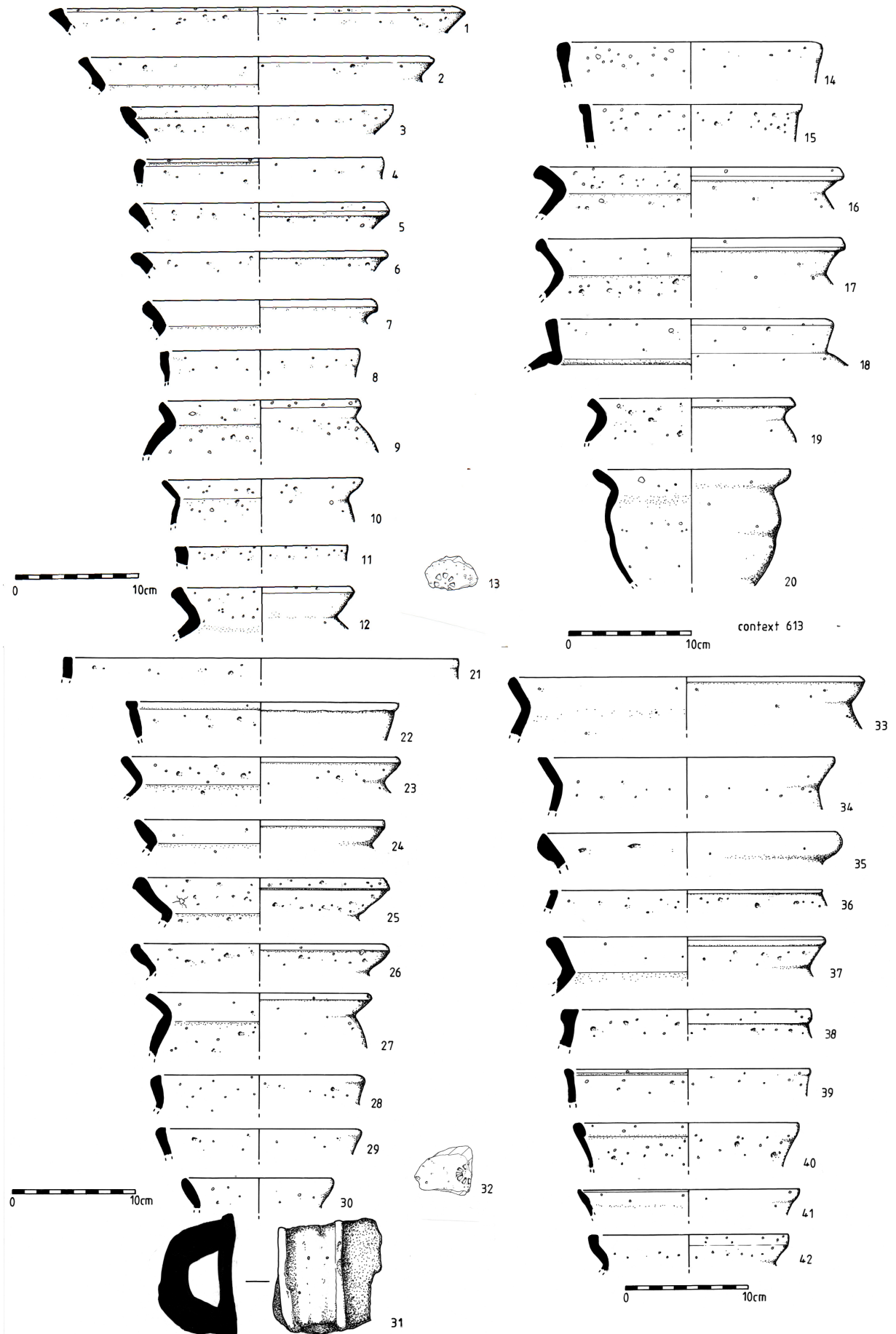
GBT 05

	1	handle frag, hard reduced sandy. 26g	khaki - green glaze	14-16th			
context	{ _____ pottery _____ }				{ _building materials _ }		miscellaneous
	qty	fabric & weight	surface	century	qty	description	
U/S Spoil Heap Metal Detect- ing							1 x ? Pb seal ? 21g Medieval. SF-23.
							1 x Pb strip. 19g
U/S Spoil Heaps	1	Rim, reduced, limestone temper. 30g. DWG 12	oxidised surfaces, small voids, reduced patches	10th			1 x hemispherical ?plaster or ?chalk object, red painted, cross hatch decoration. 24g
	2	Rims, reduced, limestone temper.16g + DWG 65 = 8g	oxidised surfaces, dull green glaze	10-12th			1 x Cu alloy button. 4g. post-med
	8	coarsewares, various types. 63g		10-14th			1 x Cu alloy button. <1g. n.d
	1	grey sandy. 20g	oxidised surfaces, dull green glaze	12-14th			1 x metal plate, c.25.5cm x 15cm, drilled fixing holes in corners, legend = "D. T. HARPINNIGER". 643g. Modern. [Doctor Harpinniger ran a surgery at The Hollies during the 1950s]
	3	glazed wares, various types. 36g	glazed surfaces	13-16th			
	1	Rim, oxidised. 19g	inner brown glaze	17-18th			
U/S No Label ?Spoil	17	coarsewares, various types. 72g		11-14th			3 x slag. 115g
	3	glazed wares, various types. 18g	glazed surfaces	14-16th			
	1	oxidised. 12g		n.d			
U/S No Label ?Spoil	3	coarsewares, various types. 9g		11-13th			2 x bone frags. 2g
	1	sherd, hard reduced. 6g	brown surface, clear glaze, waster	14-15th			1 x grey - brown slag. 7g

context	{ _____ pottery _____ }				{ _ building materials _ }		miscellaneous
	qty	fabric & weight	surface	century	qty	description	
Backfill in 214 Evaluati on Trench	1	Rim frag, reduced, quartz temper. 24g		13-14th			
	3	coarsewares, reduced, various types. 17g		13-14th			
	1	hard grey fine. 6g	brown outer, some white slip, patchy green glaze	13-14th			
Tr. 6 backfill of Evaluati on trench	1	Rim, reduced 20g	brown surfaces	12-14th			8 x bone frags & teeth. 230g
	1	oxidised. 6g	applied strip decoration, probable waster	13-14th			2 x ceramic land drain frags - modern - discarded. 15g
	1	hard grey. 19g	very dark outer glaze with ?slag attached, probable waster	13-14th			

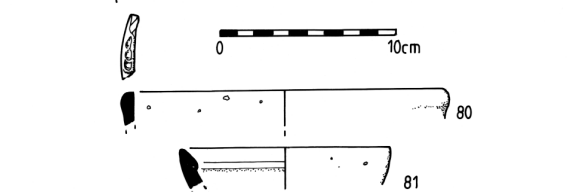
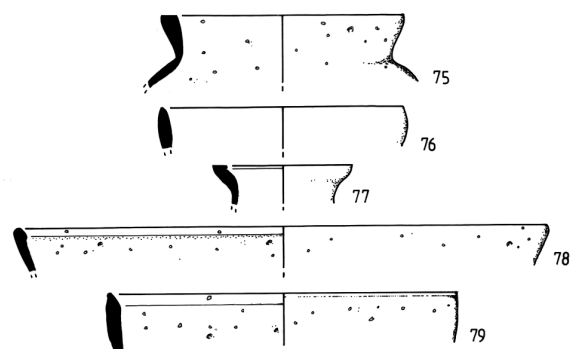
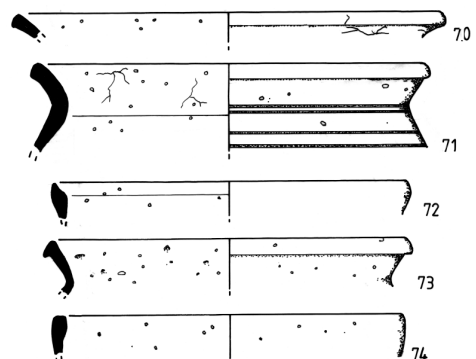
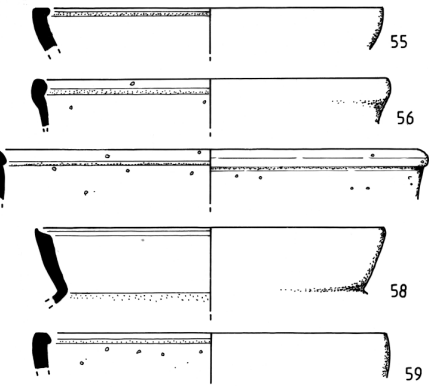
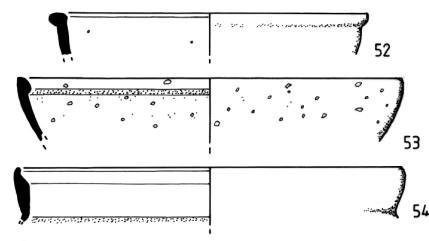
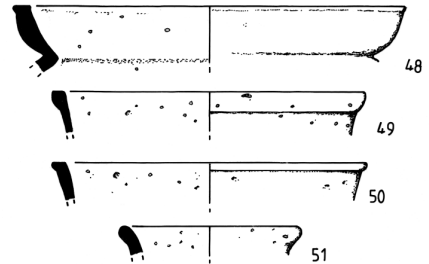
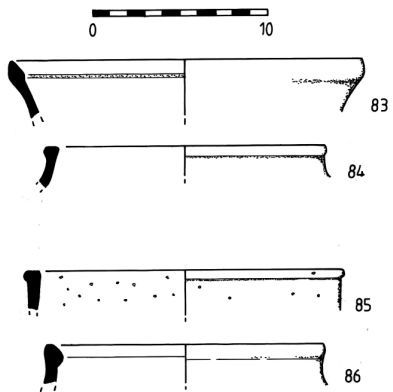
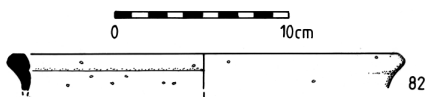
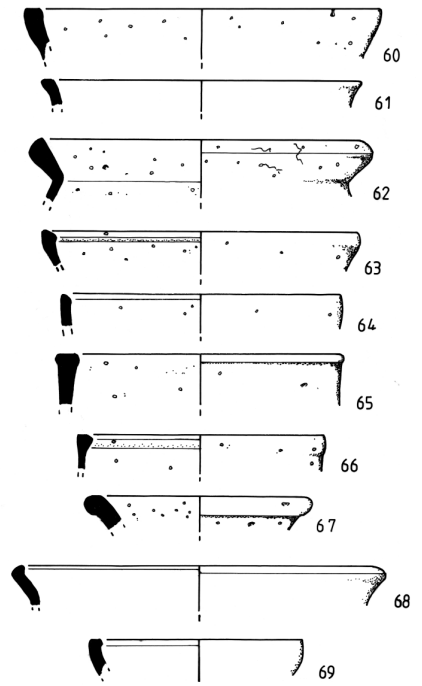
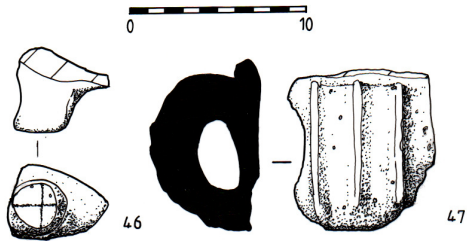
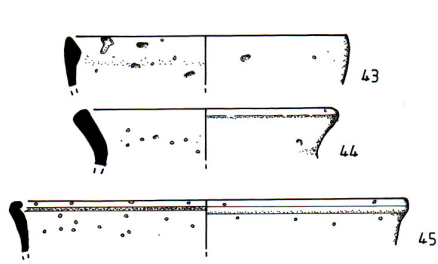
APPENDIX V Finds Drawings

Dwg No.	Context	Century	Weight
1	764	10th	20g
2	765 W Lower	10th	10g
3	716	10th	13g
4	7110 B	10th	7g
5	7 U/S C8	10th	24g
6	7 U/S C8	10th	16g
7	7 U/S C7	10th	8g
8	7 U/S C7	10th	9g
9	649	10th	44g
10	6021 - SF-9	10th	44g
11	705 F	10th	6g
12	U/S Spoil Heaps	10th	30g
13	7043 C - SF-20	10th	10g
14	613 Upper	10-11th	28g
15	613 Upper	10-11th	20g
16	613	10-11th	81g
17	613	10-11th	59g
18	613	10-11th	107g
19	613	10-11th	22g
20	613 Base - SF-3	10-11th	114g
21	625 Cleaning	10-11th	10g
22	609	10-11th	16g
23	674	10-11th	44g
24	615C	10-11th	17g
25	6015	10-11th	50g
26	Area 6 U/S	10-11th	16g
27	651	10-11th	37g
28	6012	10-11th	17g
29	617	10-11th	9g
30	617	10-11th	9g
31	6022	10-11th	440g
32	615 - SF-11	10-11th	25g
33	7049	10-11th	98g
34	7003 A	10-11th	37g
35	706 A	10-11th	19g
36	714 S face. sect.	10-11th	7g
37	7072	10-11th	59g
38	7105	10-11th	32g
39	7110 A	10-11th	19g
40	7110 A	10-11th	22g

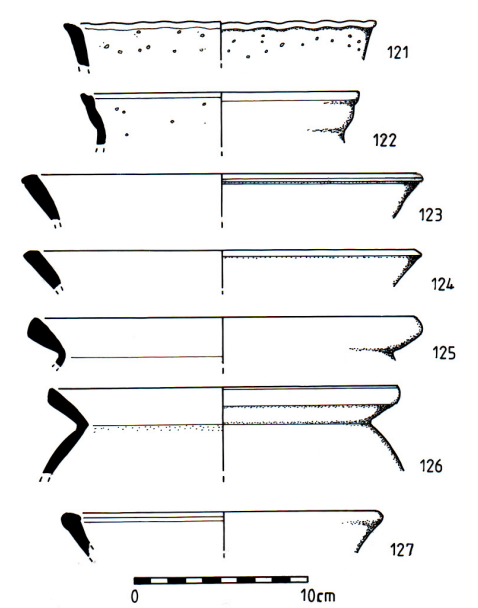
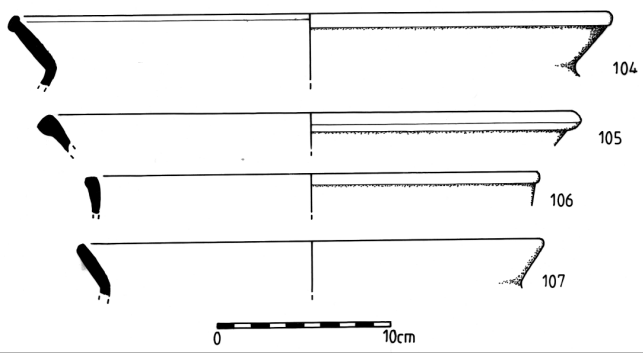
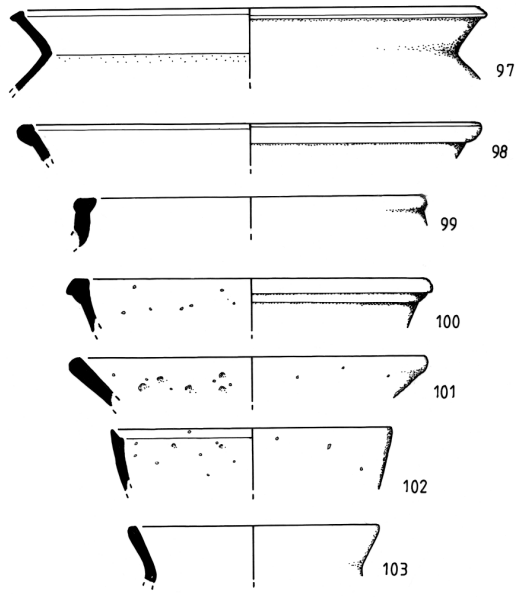
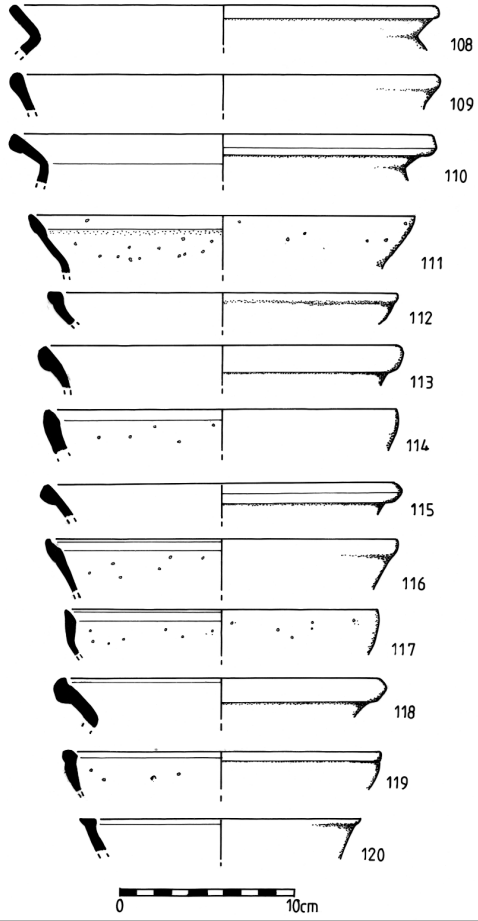
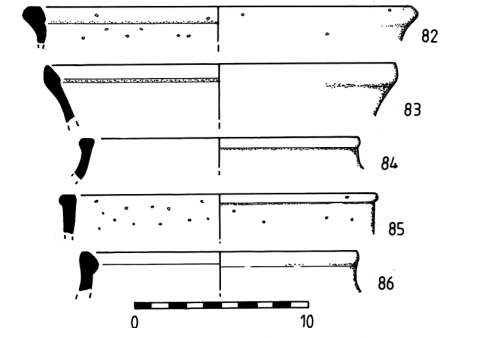
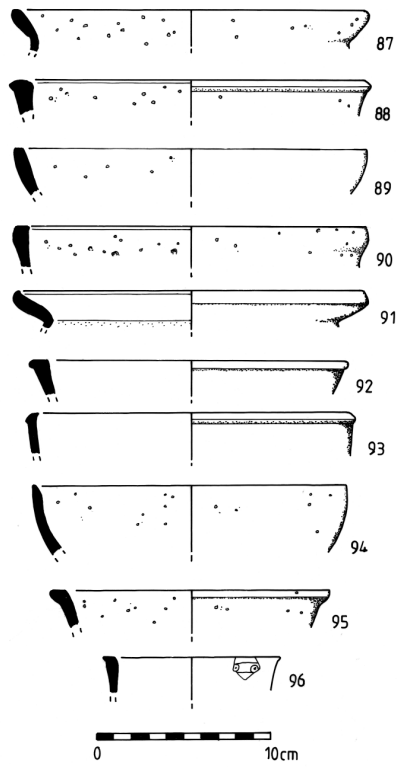


GBT 05

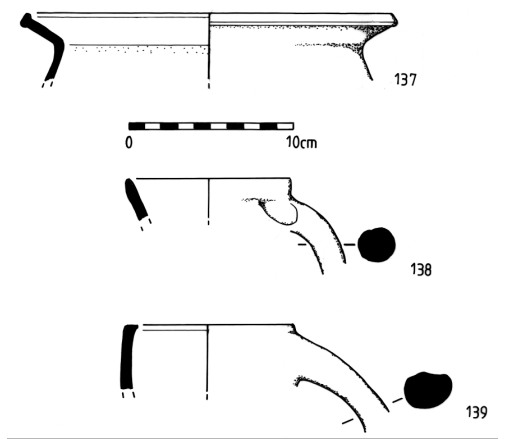
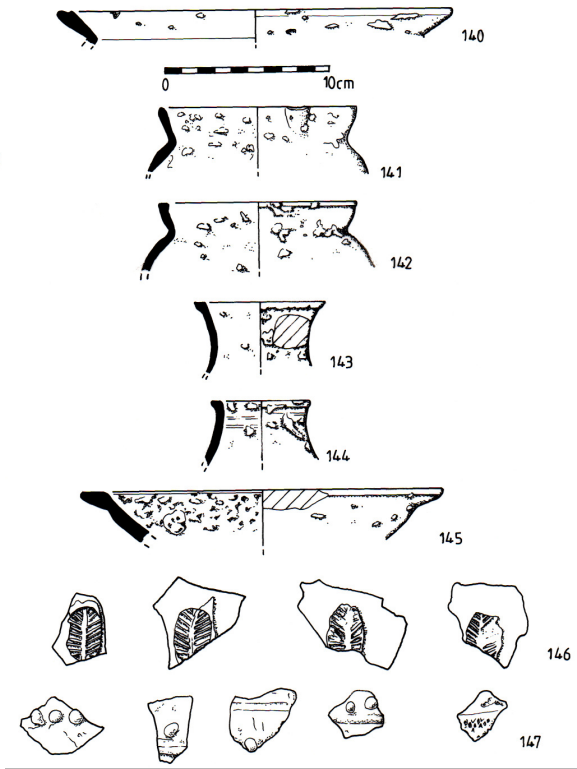
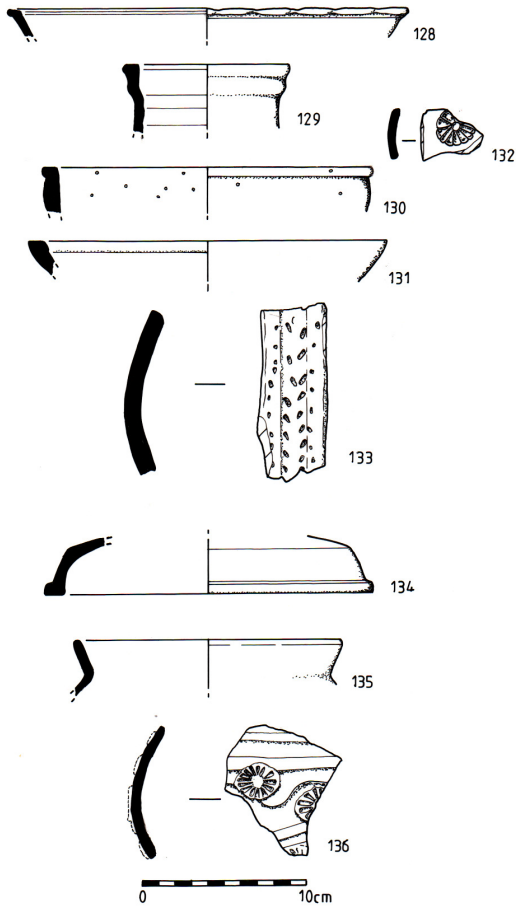
Dwg No.	Context	Century	Weight
41	714 A	10-11th	5g
42	705 A	10-11th	17g
43	7130	10-11th	10g
44	7072	10-11th	14g
45	7142	10-11th	24g
46	793 N	10-11th	74g
47	7073	10-11th	393g
48	628	10-12th	47g
49	651	10-12th	13g
50	654	10-12th	14g
51	654	10-12th	8g
52	6 U/S C3	10-12th	5g
53	7130	10-12th	17g
54	7130	10-12th	9g
55	7130	10-12th	18g
56	7130	10-12th	10g
57	7075	10-12th	18g
58	7090 Bag C	10-12th	24g
59	7043C	10-12th	12g
60	U/S Spoil Heaps	10-12th	18g
61	7088	10-12th	6g
62	7003	10-12th	50g
63	7003 A	10-12th	9g
64	7043	10-12th	6g
65	U/S Spoil Heaps	10-12th	16g
66	705 B	10-12th	10g
67	788	10-12th	17g
68	7048	10-13th	10g
69	714 S face. sect.	10-14th	8g
70	694 Top	11-12th	15g
71	680 - SF-10	11-12th	108g
72	606, 5-10cm	11-12th	8g
73	613	11-12th	14g
74	615 B	11-12th	15g
75	642B Lower	11-12th	20g
76	654	11-12th	13g
77	694	11-12th	11g
78	763	11-12th	8g
79	7096	11-12th	26g
80	763	11-12th	9g
81	705 C	11-12th	12g



Dwg	Context	Century	Wt
82	7 U/S C9	11-13th	13g
83	704 A	11-14th	11g
84	714 S face. sect	11-14th	7g
85	642B Lower	12th	14g
86	642B Lower	12th	10g
87	613	12-13th	18g
88	613	12-13th	16g
89	705 C	12-13th	10g
90	714 A	12-13th	7g
91	7 U/S C1	12-13th	14g
92	615 B	12-13th	9g
93	705 B	12-13th	9g
94	7043 B	12-13th	19g
95	634 E	12-13th	6g
96	630 A	12-13th	6g
97	634 E	12-14th	34g
98	6024	12-14th	22g
99	613 W	12-14th	10g
100	694	12-14th	13g
101	694	12-14th	26g
102	625 Cleaning	12-14th	12g
103	608	12-14th	10g
104	714 S face. sect.	12-14th	55g
105	7137 Cleaning	12-14th	16g
106	714 B	12-14th	10g
107	775	12-14th	10g
108	714 S face. sect.	12-14th	24g
109	762 Upper	12-14th	10g
110	7020	12-14th	30g
111	787 - E of 7031	12-14th	20g
112	714 B	12-14th	8g
113	769 A	12-14th	14g
114	771	12-14th	17g
115	7020	12-14th	7g
116	7075	12-14th	20g
117	714 A	12-14th	6g
118	771	12-14th	15g
119	7137 Cleaning	12-14th	7g
120	786	12-14th	10g



Dwg No.	Context	Century	Weight
121	6 U/S C1	12-14th	14g
122	6 U/S C1	12-14th	10g
123	7 U/S M Bag 2	12-14th	22g
124	7 U/S M Bag 2	12-14th	20g
125	7 U/S M Bag 2	12-14th	18g
126	7 U/S M Bag 2	12-14th	47g
127	7 U/S C9	12-14th	9g
128	608	13-14th	14g
129	694 Top	13-14th	53g
130	714 A	13-14th	18g
131	714 A	13-14th	16g
132	6 U/S	13-14th	9g
133	608	13-14th	80g
134	631	13-15th	35g
135	631	13-15th	35g
136	634 E	13-15th	40g
137	634 E	13-15th	33g
138	634 E	14-15th	71g
139	6 U/S	14-15th	105g
?Pottery Kiln Wasters			
140	634 E	13-14th	37g
141	634 E	13-14th	12g
142	634 E	13-14th	20g
143	7077	13-14th	53g
144	634 E	13-14th	14g
145	631	13-14th	?360g
146	634 E	13-14th	63g
147	634 E	13-14th	38g



**PLASMA SPECTROMETRY ANALYSIS (ICPS) OF POTTERY FROM
WASTER PITS AT BOVETOWN, GLASTONBURY, SOMERSET [NGR ST
502 390]**

M.J.HUGHES

INTRODUCTION

The aim of this investigation was to characterize typical pottery found in waster pits in Bovetown, Glastonbury, to provide a chemical analysis ‘signature’ for this site and for Glastonbury-made pottery, which could then be compared with pottery found at other sites in Somerset, including known kiln sites. It was of particular interest to compare the analysis results with analyses of groups of floor tiles from Glastonbury Abbey about 100 m from the Bovetown site (Hughes forthcoming), which are thought to include groups of tiles made at Glastonbury (Harcourt forthcoming). The site was excavated in 2005 by Nancy and Charlie Hollinrake, consisting of waster pits, on a site at NGR ST 502 390. It is intended to analyse a range of ridge and floor tiles from the same site (no decorated floor tile was found here), to compare against the pottery, and against decorated floor tiles analysed from Glastonbury Abbey. It was hoped in due course to analyse a range of inlaid medieval floor-tile wasters from another site in Glastonbury, at Silver Street, on the edge of the abbey precinct.

Seven samples were selected for analysis (Table 1), representing the range of finds from the waster pits; six were of pottery (1-6) and one was a tile fragment (7). The fabric of the tile differed from the pottery samples in that it contained limestone inclusions.

Chemical analysis using inductively-coupled plasma spectrometry (ICPS) of the fabric of pottery gives a chemical fingerprint and thus information on its source, reflecting the clay from which it was made. For this project, inductively-coupled plasma atomic emission spectrometry (ICP-AES) was used. The atomic emission version of ICP analyses for all the major elements in the ceramic (except silicon), plus a good range of trace elements. The technique has been described by Thompson and Walsh (1989) and recent examples of its use include floor and roof tiles from Hill House, Essex (Hughes 2009) and saxo-norman pottery in Somerset (Allan et al 2011).

ICPS Analysis (Inductively-Coupled Plasma Atomic Emission Spectrometry (ICP-AES))

Powdered samples were obtained from the 7 sample items by drilling with a 2 or 3mm diameter tungsten carbide drill. In addition, the samples sent for ICP analysis included several portions of a Certified Reference Material (NBS679 Brick Clay – produced by the US National Institute for Standards and Technology, Washington DC) spaced out in the analysis batch but without identification to the laboratory as such; these acted as analysis quality control samples. The analysis results on these control samples gave entirely satisfactory results. The powdered samples were analysed at Royal Holloway, Department of Earth Sciences, University of London,

using their standard techniques for ICP-AES. All the ICP results are given in full in Table 1 (analyses RF1-7), including the average analysis for pottery from this site.

Analysis results

As Table 1 shows, all the samples from Bovetown have very similar clay chemistry; the tile is slightly lower in a range of elements compared to rest, and it does have a noticeable lime content (2.4% calcium oxide, which translates into about 6% lime/limestone – calcium carbonate – in the original tilemakers' clay mix). The other six average just under 1% calcium oxide, while their 'spread' in composition for 11 of the 32 elements (measured by one standard deviation about the mean – Table 1) averages about 10% of the mean or less, representing the typical spread for the products of a kiln. Other characteristics of the analyses as a whole include the relatively high alumina content (aluminium oxide), which is about 20%, whereas for much pottery in Somerset it averages 14-18%. The iron content is also high, up to nearly 9% iron oxide (Fe_2O_3) and is higher than the typical range for south Somerset pottery of 5-7%. Sodium is also high, around 1%, whereas much pottery of south Somerset is nearer 0.2%; potassium is also relatively high, averaging just over 3% potassium oxide. Potassium and sodium are present in high amounts in common types of feldspars, and which may be present in the clay.

Comparison with the average analyses of pottery made at other sites in Somerset showed particular features: the three production sites for pottery in Somerset for which ICP analyses are available of their products (Bovetown, Castle Neroche and Donyatt) all show small but distinctive differences from each other in clay chemistry. A pattern seems to be present whereby the pottery from Castle Neroche generally has the lowest concentrations of most elements, Donyatt has intermediate and Bovetown pottery the highest concentrations of elements. It is not however a systematic increase in concentrations across all elements for the three sites – there are different proportions of some elements which characterise each site. For example, Castle Neroche sherds are noticeably lower in alumina, iron, sodium and potassium compared to the Bovetown sherds, while Donyatt has intermediate levels for the same four elements. It appears that the Bovetown pottery is particularly enriched in sodium and potassium, and therefore probably of minerals such as alkali feldspars, compared to the other two sites. The average analysis for the Bovetown ceramics also differs from Glastonbury coarse ware pottery of south Somerset type recently analysed by ICPS, which shows greater similarity to the other two sites, both in south Somerset.

Comparison of the Bovetown pottery with the average analyses of numbered groups of floor tiles from Glastonbury Abbey showed that the Bovetown pottery is very slightly different in a few elements: it is higher in alumina (mean 19.9%; highest of the Abbey tiles is group 6: 18.9% average); higher in sodium (0.99% cf to group 5 – 0.82%); higher in potassium (3.13% cf to group 2: 2.87%); lower in chromium (106 ppm cf to group 3: 119 ppm); and lower in samarium (6.8 ppm cf to group 2: 7.3 ppm).

Principal Components and Discriminant Analysis

Detailed interpretation of the analyses was carried out with multivariate statistics, which simultaneously considers the concentrations of many elements in each sample. Principal Components Analysis (PCA) and Discriminant Analysis (DA) were used

(Tabachnick and Fidell 2007); descriptions of their application to archaeology are given elsewhere (see for example, Baxter 1994 and 2003; Shennan 1997). The SPSS version 15 statistical package was used for this work (Pellant 2007). The results of both Principal Components and Discriminant Analysis can be displayed as plots of principal components or discriminant function scores respectively. Such plots are effectively chemical ‘maps’ for the items analysed, where ceramics with the same clay chemistry (as one would expect for pottery made at the same location at the same time, e.g. a tile group) will plot in the same part of the figure. Production relationships between individuals and between groups of pots can be assessed by their relative positions on such plots.

An initial Principal Components analysis of the Bovetown ICPS analyses was carried out as part of the investigation of the analysis of saxo-norman pottery in Somerset. This showed that all the Bovetown samples analysed were very similar to each other in their general clay chemistry. On a Principal Components plot, the Bovetown sherds did not overlap chemically with south Somerset pottery excavated at Glastonbury, the subject of a recent report. The higher concentrations of potassium and magnesium mainly contribute to this difference. The Bovetown sherds also plotted away from pottery from a range of other Somerset sites including Donyatt and Castle Neroche.

Discriminant Analysis was also applied to the combined analyses of the Bovetown sherds and material from the Somerset sites. This uses different statistical principles to Principal Components and so is an independent method of interpreting the chemical analyses. This showed that despite some similarity between the analyses of the Bovetown sherds and Glastonbury south Somerset wares, it was not sufficiently close to indicate the same chemical clay source, and probably reflects the use of Lias clays for both types of pottery. Higher sodium in particular was highlighted for the Bovetown sherds as differentiating them from the products of other sites.

A further series of statistical tests were carried out to compare the Bovetown analyses with groups of tiles found at Glastonbury Abbey, and pottery and tiles from Cleeve Abbey previously analysed by ICP (Allan 1999; Harcourt 2000). While some of the Glastonbury tile groups (groups 8 and 9) proved to have the clay chemistry typical of the ‘Exmoor-Quantocks’ fabric type (Allan 1999), the Glastonbury Abbey tile groups 1-7 showed a different clay chemistry. Discriminant analysis showed that all the Bovetown ceramics were spread among or close to tile groups 1-7, which were believed to be local Glastonbury products. Compared to south Somerset wares, Bovetown ceramics have systematically higher levels of aluminium, iron, potassium and sodium, such as found in Glastonbury groups 1-7. Principal components also confirmed this interpretation showing the similarity between the ceramics from the Bovetown kiln and the locally-made Glastonbury Abbey tile groups.

Discussion

Detailed inspection of the statistical test results showed significant relationships between the Bovetown pottery and some of the Glastonbury Abbey tile groups 1-7. The Abbey tile groups 3 (exceptional depth tiles) and 6 (thick tiles) share a common production (are very similar chemically) but differ slightly in chemistry to the other five tile groups from Glastonbury, some of which pair up: 2 (large heraldic) is chemically similar to 4 (largest number of designs); 5 (second largest group) and 7

(naturalistic design); while group 1 (mosaic) is slightly different. Groups 3/6 contain minor amounts of lime, higher than in other groups, suggesting a slightly different clay source.

A geological division cuts through Glastonbury itself, with the Abbey precinct and Silver Street (site of a previously-excavated dump of tile wasters of groups 3/6) lying on lime-containing Lower Lias 'Clay with some limestone' (Geological Survey sheet 296; cf Rahtz 1993, 13: figure 2) whereas the Bovetown kiln lies on Middle Lias 'Silt and clay'. A thin ribbon of the Middle Lias clay also runs E/W just south of the Abbey, with its northern boundary about 50 m north of, and parallel to, Bere Lane, though a much larger area of such deposits lie N and S of Bovetown, the W boundary being approximately Rowley Rd/ Leg of Mutton Rd. A single waster tile found at the Abbey (T464 GLR8893) was of the same design type as groups 3/6, examples of which were found as wasters in the Silver Street tile dump, and its analysis was very close indeed to the average composition of group 6, confirming local production for groups 3/6. The tile is chemically slightly different to the pottery sherds from the Bovetown kiln, which are low in lime. However the single Bovetown tile analysed differs from the pottery in containing a few percent of lime, and is chemically more like the waster from Silver Street, though it shows slight differences in other elements. The low level of lime in the Bovetown pottery sherds seems to correspond with the Lower Lias silt and clay deposits on which it sits (i.e. the clay used was probably dug close to the kiln site itself). The other tile groups from Glastonbury which are low in lime (1, 2, 4, 5 and 7) are chemically similar to clay used at the Bovetown kiln, though perhaps made at another location on the Lower Lias deposits. There may have been a preference for later phases of tile production at Glastonbury to be located slightly away from the Abbey precinct.

References

- Allan, J, with Coleman-Smith, R., Hughes, M.J., Taylor, R.T. and Williams, D.F., 1998 (1999), Cleeve Abbey: the pottery, *Somerset Archaeology and Natural History* **142**, 41-75
- Allan, J., Hughes M.J. and Taylor, R.T. 2011, Saxo-norman pottery in Somerset: some recent research, *Proc Somerset Archaeol. Natur. Hist. Soc.* **154**, 165-84
- Baxter, M. 1994. *Exploratory Multivariate Statistics in Archaeology*. Edinburgh University Press, Edinburgh.
- Baxter, M., 2003. *Statistics in Archaeology*. Arnold, London.
- Geological Survey, 1973, *Glastonbury*, 1:5000 series sheet no. 296
- Gilchrist, R. and Allum, C. ,forthcoming, *Excavations at Glastonbury Abbey 1907-79*, London, Society of Antiquaries
- Harcourt, J., forthcoming, The decorated floor tiles, in Gilchrist and Allum, forthcoming

Hughes, M.J., 2009, ICP-AES analysis of ceramic building material, in Paul Drury: *Hill Hall a singular house devised by a Tudor intellectual*, The Society of Antiquaries of London, London, [in ch.5 Environmental and scientific studies] pp. 366-379

Hughes, M.J., forthcoming, Chemical analysis of floor tiles from Glastonbury Abbey by plasma spectrometry (ICPMS), in Gilchrist and Allum, forthcoming

Pellant, J., 2007, *SPSS Survival Manual*, McGraw Hill/Open University Press, Maidenhead

Rahtz, P., 1993, *English Heritage book of Glastonbury*, Batsford, London

Shennan, S. 1997. *Quantifying Archaeology*. 2nd ed. Edinburgh University Press, Edinburgh

Tabachnick, B. and Fidell, L.S., 2007, *Using Multivariate Statistics* 5th Edition, Pearson, London

Thompson, M. and Walsh, J.N., 1989, *A Handbook of Inductively Coupled Plasma Spectrometry*, 2nd edn. Blackie, Glasgow.

analysis no.	Al ₂ O ₃	Fe ₂ O ₃	MgO	CaO	Na ₂ O	K ₂ O	TiO ₂	P ₂ O ₅	MnO	Ba	Co	Cr	Cu	Li	Ni	Sc	Sr	V	Y
	%	%	%	%	%	%	%	%	%	ppm	ppm	ppm	ppm	ppm	ppm	ppm	ppm	ppm	ppm
RF 1	18.9	7.14	1.50	0.95	0.83	2.92	0.94	0.25	0.061	451	32	106	32	127	137	18.6	116	121	27.4
RF 2	20.8	7.01	1.61	0.86	0.75	2.95	0.96	0.16	0.028	435	41	116	36	155	55	21.2	109	160	26.5
RF 3	20.1	8.53	1.45	0.99	0.54	3.23	1.02	0.22	0.035	454	46	110	49	124	59	19.9	128	260	31.9
RF 4	19.8	6.85	1.40	0.57	0.86	3.21	1.03	0.16	0.025	471	22	97	43	109	37	17.6	124	118	19.3
RF 5	19.4	7.53	1.44	0.79	1.20	3.42	0.96	0.28	0.034	473	23	103	26	83	42	18.4	143	110	22.7
RF 6	20.6	7.05	1.67	0.82	0.91	3.03	1.04	0.30	0.076	446	43	107	28	138	71	19.2	179	132	38.8
RF 7	18.4	6.51	1.48	2.36	0.86	2.93	0.93	0.27	0.057	460	23	105	26	108	51	17.3	180	109	26.8
mean (RF1-6)	19.9	7.35	1.51	0.83	0.85	3.13	0.99	0.23	0.043	455	35	106	36	123	67	19.2	133	150	27.8
s.d.	0.7	0.62	0.11	0.15	0.22	0.19	0.04	0.06	0.021	15	11	6	9	25	36	1.3	25	57	6.9
	Zn	Zr *	As	Rb	Cd	Pb	La	Ce	Nd	Sm	Eu	Dy	Yb						
	ppm	ppm	ppm	ppm	ppm	ppm	ppm	ppm	ppm	ppm	ppm	ppm	ppm						
RF 1	126	192	11.1	106	0.13	1139	41.2	78.6	38.7	7.2	1.6	4.6	2.1						
RF 2	131	207	11.1	112	0.12	3259	48.3	90.3	36.2	6.4	1.3	4.1	2.2						
RF 3	150	204	14.7	129	0.40	930	42.0	75.3	37.9	7.3	1.6	5.1	2.7						
RF 4	93	173	8.8	100	0.09	3629	40.7	67.9	30.4	5.3	1.1	3.2	1.5						

GBT 05

RF 5	109	158	8.4	98	0.03	235 8	45.3	82.9	36.9	6.8	1.4	3.9	1.7						
RF 6	108	207	11.3	109	0.05	304 2	43.0	97.8	42.0	8.0	1.7	5.3	2.4						
RF 7	100	137	8.7	101	0.09	887	41.1	92.2	38.4	7.3	1.6	4.7	2.1						
mean (RF1-6)	120	190	10.9	109	0.14	239 3	43.4	82.1	37.0	6.8	1.5	4.4	2.1						
s.d.	20	20	2.3	11	0.13	113 2	2.9	10.7	3.8	0.9	0.2	0.8	0.4						
RF 1	Jug neck with white clay scroll, definite waster.																		
RF 2	Jug neck and spout with applied vertical strips and pads in white clay, iron-rich wavy line. Definite waster.																		
RF 3	Jug body sherd with horizontal rows of applied red clay pellets. Definite waster.																		
RF 4	Thumbed jug base, definite waster.																		
RF 5	Plain base, definite waster.																		
RF 6	Elaborately decorated jug as 2, the pads with rosette stamps. Not definite waster but presumably from the kiln.																		
RF 7	Tile fragment with additional limestone inclusions.																		
The results from Al ₂ O ₃ to MnO inclusive are given as the oxide, in weight percent; all the rest are given as the element, in parts per million.																			
Ba barium; Co cobalt; Cr chromium; Cu copper; Li lithium; Ni nickel; Sc scandium; Sr strontium; V vanadium; Y yttrium; Zn zinc; Zr zirconium; As arsenic;																			
Rb rubidium; Cd cadmium; Pb lead;																			
Rare earth elements: La lanthanum; Ce cerium; Nd neodymium; Sm samarium; Eu europium; Dy dysprosium; Yb ytterbium;																			
(the zirconium results (Zr*) are not reliable as the powder may not have been completely dissolved during sample preparation for analysis.)																			
mean: average of the analyses RF1-6: tile RF7 is slightly different to the pottery; s.d.: one standard deviation about the mean.																			

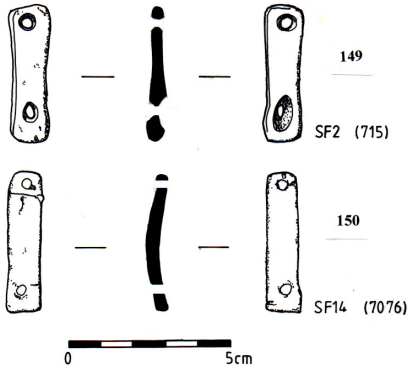
Table 1 List of samples analysed from waster pits at Bovetown and full set of ICPS analyses including the average analysis for ceramics from this site.

APPENDIX VII Special Finds Register and Drawings

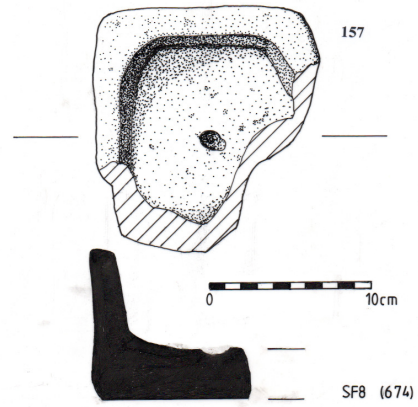
Dwg No.	Context	SF No.	Description	Century	Weight
	Ceramic				
148	651	SF - 18	1 x small crucible, with residue inside.	10-12th	3g
	Pb. Objects				
149	715	SF - 2	1 x Pb weight or clamp with holes.	12-14th	21g
150	7076	SF - 14	1 x Pb strip or clamp with 2 x holes.	12-14th	21g
	Cu. Alloy Objects				
151	6 U/S	SF - 1	1 x Cu Alloy strip.	n.d	<1g
152	753 N	SF - 12	1 x Cu Alloy strip frag with pinhole.	Medieval	<1g
153	617	SF - 4	1 x Cu alloy buckle.	12-13th	34g
154	7189	SF - 22	1 x Cu alloy strap end with decoration.	?Saxon	3g
	Fe. Objects				
155	617	SF - 5	1 x Fe object - staple or a lynch pin.	12-13th	15g
156	772	SF - 21	1 x Fe knife blade with tang.	13-15th	64g
	112/ cut 145	SF 23	1 x Fe chain in 4 long links, (ca. 9cm) connected together through perforated end loops	10-11th	
		SF 24	1 x Fe curved blade with a tang finishing in a hook		
	Stone Objects				
157	674	SF - 8	1 x stone lamp with traces of soot inside.	10-12th	1,738g
	Bone Objects				
158	608	SF - 17	1 x carved bone frag.	?12-14th	3g
159	654	SF - 6	1 x Tip of a bone pin.	?10-12th	1g
	Pottery				
10	6021	SF - 9	1 x large coarseware rim. (C10th)	10th	44g
13	7043 C	SF -20	1 x pot sherd with rosette stamp. (C10th)	10th	10g
20	613 Base	SF -3	1 x large Saxon pot frag (C10-11th)	10-11th	114g
32	615	SF -11	1 x stamped pot sherd (C10-11th)	10-11th	25g
71	680	SF -10	1 x large rim with horizontal line decoration	11-12th	108g
	Coin				
Fig. 23	217B	SF 25	Silver ducalis of King Roger II of Sicily (1105-1154), Palermo mint, issue of 1140-1154		



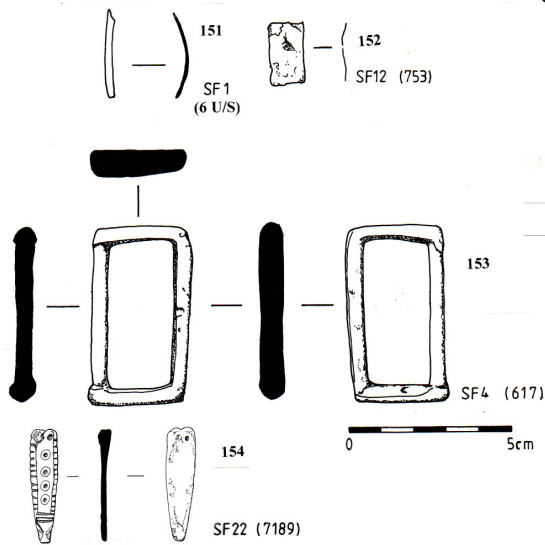
Lead Objects



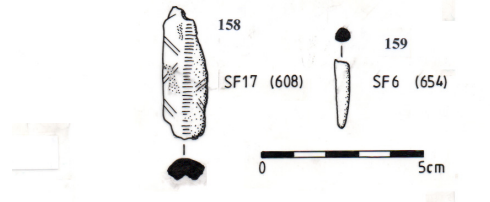
Stone Lamp



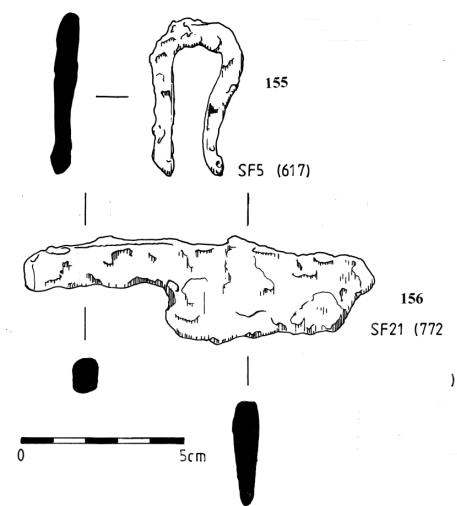
Copper Alloy Objects



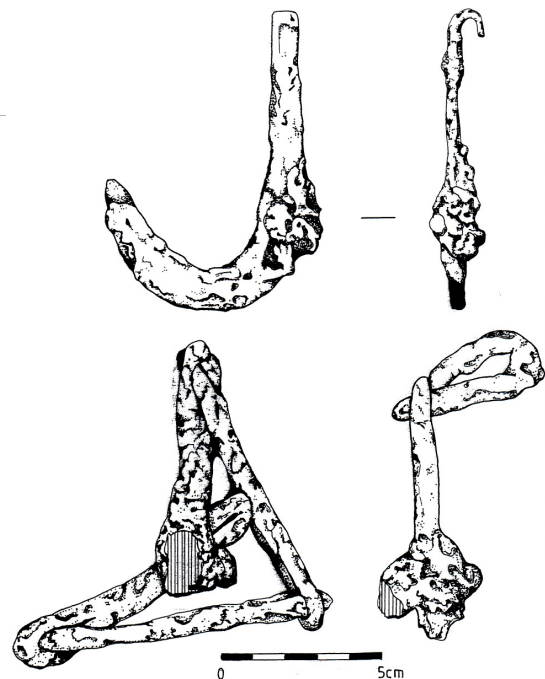
Carved Bone Objects



Iron Objects



Iron Hook and chain link



APPENDIX VIII L. Higbee, 2007, Animal bone and oyster shell from Bove Town, Glastonbury Somerset (GBT05)

ANIMAL BONE AND OYSTER SHELL FROM BOVE TOWN, GLASTONBURY, SOMERSET (GTB05).

L. Higbee

May/August 2007

Introduction

A small assemblage of animal bone was recovered from the site during the normal course of hand-excavation; the assemblage comprises 1,936 bone fragments with a combined weight of 23kg. In addition 18 complete oyster shells were also recovered. The largest stratified groups are from late Saxon (10th/11th century) and medieval deposits mostly pit fills and layers. These groups are the focus of the following report; bone from other periods has been quantified in Table 1 but the small size of the samples precludes any detailed discussion.

Methods

The assemblage was analysed following Davis (1992). Using this method a selective suite of skeletal elements are counted, these are generally bones that show a good survival and recovery rate in most bone assemblages and also provide useful age and biometric data. Non-countable bones have been quantified into general size categories and small splinters into general mammal or bird categories. This information is presented in order to provide an overall fragment count.

The number of specimens identified to species (or NISP) was calculated for all taxa (Table 1), but the minimum numbers of individuals (or MNI) were only calculated for the most common taxa from the late Saxon/medieval group (Table 2). The MNI was calculated by simply dividing the total number of fragments of each skeletal element by the number present in the body.

Caprine (i.e. sheep and goat) bones were identified to species using the criteria of Boessneck (1969) and Payne (1985), all positive identifications were sheep and it is therefore assumed that most undifferentiated caprine bones also belong to sheep. Equid teeth were distinguished following Davis (1987); only horses were positively identified, and all post-cranial bones were simply recorded as equid. Closely related galliformes are also difficult to distinguish (see MacDonald 1992) however, no guinea fowl or pheasant bones were positively identified, and it is therefore assumed that fowl-like bones belong to chicken.

The following methods were used to record age, biometric data and calculate shoulder heights: Grant (1982); Halstead (1985); Hambleton (1999); Harcourt (1974); Levine (1982); O'Connor (1989); Payne (1973 and 1987); Silver (1969); Von den Driesch and Boessneck (1974) and Von den Driesch (1976). Tooth eruption/wear data for

mandibles retaining two or more teeth (dp4/p4-m3) with recordable wear are given in Appendix 1 and individual measurements are presented in Appendix 2.

Results

Recovery and preservation

The entire assemblage was collected by hand during the normal course of excavation. Hand-recovered assemblages are typically biased in favour of large, easily observed fragments and therefore the bones of larger species (see Payne 1992). This bias is reflected in the range of species and types of skeletal elements recovered from the site. Approximately 94% of identified bones are from large and medium sized mammal species, the remaining 6% is made up of smaller species such as rabbit and birds. This pattern is also reflected in the unidentifiable part of the assemblage, large cattle-sized fragments and medium sheep-sized fragments are more abundant than birds and fish. In terms of skeletal elements, small bones, such as phalanges from medium sized mammals are less common than the equivalent elements from larger species (see Table 2). By way of illustration, isolated sheep incisor and premolar teeth, which are smaller than molar teeth, account for only 14% of isolated sheep teeth, whilst for cattle the proportion is 30%.

The assemblage is generally in a good state of preservation, cortical surfaces are intact and surface details, including fine knife cuts, are clear and easily observed. However, some fragments, *c.*5% of the total, are less well preserved and display signs of physical weathering. These fragments typically have flaking (or exfoliated), cracked and abraded cortical surfaces, and this suggests that they were exposed for a period before burial. Rolling, trampling and repeated changes in moisture and temperature on the ground surface are the most likely caused for these differences in preservation state. The proportion of poorly preserved fragments that have been gnawed (Table 3) supports the notion that some bone waste was exposed on the ground surface where it was scavenged by domestic dogs. Indeed *c.*74% of all gnawed bones display signs of physical weathering. Although only *c.*2% of post-cranial fragments were recorded with gnaw marks, the bone chewing habit of domestic dogs can completely obliterate bones from the archaeological record. Furthermore, bones from immature animals are far more susceptible to destruction than bones from adult animals, and this has considerable implications for the reconstruction of mortality profiles.

The Late Saxon assemblage

A small number of identified bones were recovered from securely dated late Saxon contexts (10th/11th century), these include posthole 6011, gullies 7046, 7155 and 7156, and pits 7041, 7071, 7107 and 7149. Bones from livestock species were identified and of these cattle bones are marginally more abundant than sheep or pig.

The greatest length measurements for three complete cattle metapodials, suggest a mean withers (or shoulder) height of 110.2cm and a range of 103.7cm-117.4cm. This is within the size range of cattle from earlier, Dark Age deposits at Glastonbury Tor (Harcourt 1970), although larger cattle were also present in the Tor assemblage.

Butchery marks were observed on three bones in the late Saxon assemblage; cut marks relating to detachment of the foot were recorded on the anterior proximal shaft of one sheep metatarsal, chop marks relating to reduction of the fore-shank were seen

on the distal shaft of one cattle humerus and cut marks relating to detachment of the phalanges were seen on the distal condyles of one cattle metatarsal. One sheep humerus was recorded with a condition commonly referred to as penning elbow, the condition is thought to develop in sheep which have been housed in over-crowded conditions.

In addition to the animal bone thirteen oyster shells were recovered from a single late Saxon pit 7071. Commercial scale late Saxon oyster (*Ostrea edulis*) harvesting has been recorded in Poole, Dorset (Horsey and Winder 1991). It is therefore possible that the oysters supplied to Glastonbury during the late Saxon period came from the Dorset coast.

The Late Saxon/Medieval assemblage

The largest group of bones come from broadly dated contexts (10th-16th century); these include layers, buried soils, rubble spread and the fills of cut features. It is possible to separate out a few contexts from this broad grouping which have a tighter date range, such as the 11th/12th century posthole 6007 and ditch 7091 however, any subdivision of the group would reduce the validity of the available data for detailed discussion, for this reason the group is considered as a whole.

A number of species have been identified from the late Saxon/medieval assemblage; of the two hundred and twenty-five identified bones approximately 90% are from livestock species. Cattle, sheep/goat and pig bones are present in near equal proportions, each account for roughly a third of all bones from livestock species. This pattern is a somewhat unusual, most animal bone assemblages from urban areas are generally characterised by either a high percentage of sheep or cattle, or near equal proportions of both, with pig of minor importance. However, several authors have noted that early medieval assemblages, particularly those from high status sites, tend to have relatively high frequencies of pig bone (Grant 1988; Albarella and Davis 1996; Albarella *et al* 1997), a general reflection of the higher rate of meat consumption at these sites. Unfortunately it is not possible to determine if the Bove Town assemblage is part of this countrywide trend due to the broad date range of the material, it is however possible to infer status due to the relatively high frequency of pig bones. This is confirmed by comparison with other sites in the region (Table 4 and Figure 1), which shows that species frequencies are similar to high status sites including Cheddar Palace, Somerset (Higgs *et al* 1979), Launceston Castle, Cornwall (Albarella and Davis 1996), and Okehampton Castle, Devon (Maltby 1982). Locally, the small 10th-12th century assemblage from the Mound site at Glastonbury (Darvill and Coy 1985) has a similar ratio of livestock species.

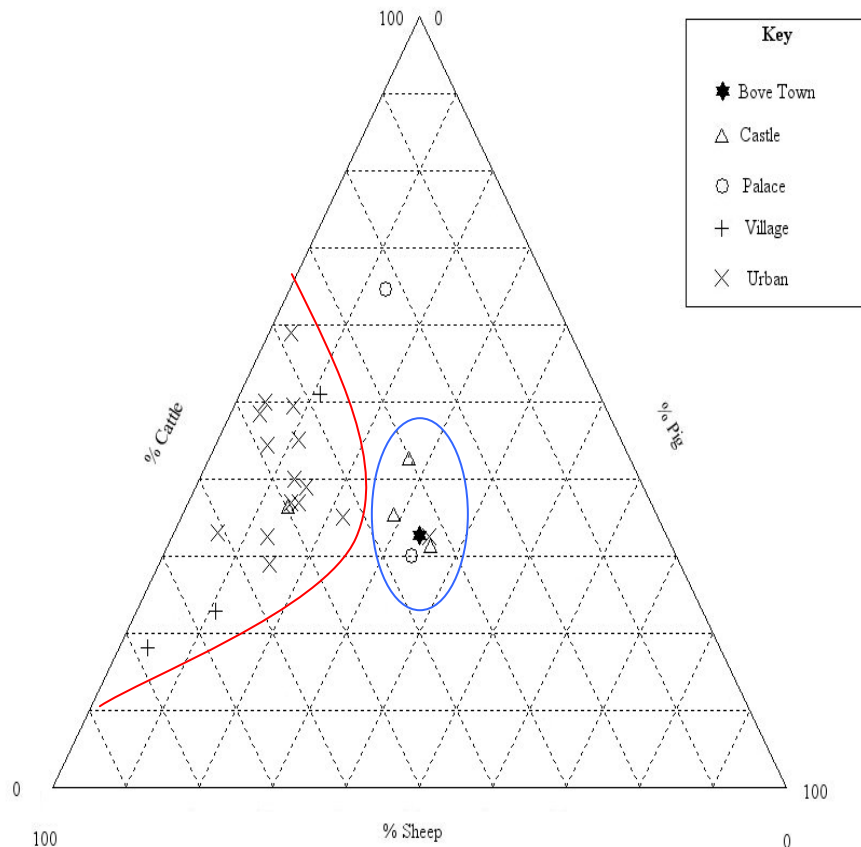


Figure 1. Bove Town, Glastonbury: triplet of relative frequency of livestock species from late Saxon/medieval assemblage compared with sites listed in Table 4. Red and blue lines added by C. and N. Hollinrake with Higbee's consent.

Body part representation for late Saxon/medieval livestock species is presented in Table 2. Most parts of the beef, mutton and pork carcass are present in the assemblage and any absences or under-representations are probably due to small sample size. The humerus is the most commonly occurring cattle and sheep bone, whilst the most common pig bones are the scapula and mandible. All of these elements generally show a good survival and recovery rate in most archaeological assemblages. Overall, the body part information indicates that the bone assemblage is a mixture of butchery and kitchen/table waste, and suggests a preference for cuts of meat from the fore-shank. Pig forelimb bones were common in the Mound assemblage (*ibid*: 56), whilst the body part information from the Silver Street assemblage indicates that quality meat cuts from the upper limbs are common in late Saxon/medieval phases and this is taken as an indication that mostly kitchen/table waste is represented (Levitan 1982). The data from early phases contrasts with that from post-Dissolution phases, these phases include a higher proportion of butchery waste.

Age information from epiphyseal fusion of the post-cranial skeleton is presented in Table 5 and mandible tooth wear stages in Appendix 1. The fusion data for late Saxon/medieval livestock indicates that most cattle were culled between the ages of 2-4 years, whilst most sheep were over 3 years and most pigs were aged between 1-2 years. Very few cattle and sheep mandibles were present; two cattle mandibles are from animals aged 30-36 months (mandible wear stage E after Halstead 1985), of the four ageable sheep mandibles one is from a 1-2 year old, two are from 2-3 year olds and one is from a 4-6 year old (stages D, E and G after Payne 1973). Nine pig

mandibles were recovered, the majority are from animals aged between 14-21 months, younger animals aged 7-14 months and older animals age 21-27 months are also represented (stages C-E after Hambleton 1999). Overall the age information indicates that livestock were culled at the optimum age for prime beef, mutton and pork. Similar mortality rates were noted for the Silver Street assemblage, although at this site about a third of the cattle consumed were older animals (Levitan 1982: 58). Old cattle were common in the Saxon assemblage from the Beckery Chapel assemblage and the age data for sheep suggests that they were primarily managed for wool (Noodle 1974).

At least two cattle pelvises are from females, which suggest that at least some animals were drawn from dairy herds or culled from breeding stock. Of the six pig canine teeth recovered from late Saxon/medieval deposits, the majority are from males. Unfortunately all are isolated finds so the age of each individual cannot be established however, males surplus to breeding requirements are more likely to be culled at a younger age than females.

Butchery marks were recorded on 42% of cattle bones, 19% of sheep bones and 13% of pig bones. There is some indication of size related butchery techniques; chop marks were common on cattle bones, whilst cut marks were common on pig bones. Most of the cattle butchery relates to dismemberment of the fore-shank, in particular the humerus, which was disarticulated from the radius and ulna by chopping axially through the distal articulation. Division on the beef and mutton carcass was achieved by chopping through the mid-line (i.e. dorso-ventrally) of the vertebra centrum and occasionally by removal of the transverse processes. Vertebrae from the Silver Street assemblage were also split dorso-ventrally (Levitan 1982: 53).

Pathological changes were noted on one sheep humerus from the late Saxon/medieval assemblage. A small area of lipping was noted on the lateral-distal articulation, it is likely that this condition represents the early stages in the development of a condition known as penning elbow.

Measurements (Appendix 2) suggest the following withers (or shoulder) heights for livestock species: cattle range from 99.7cm to 109.5cm, with a mean of 105cm, whilst pigs range from 63.1cm to 69.6cm with a mean of 66.9cm. Cattle from broadly dated contexts are smaller than those from securely dated late Saxon contexts.

Less common mammalian species identified from the late Saxon/medieval assemblage include horse, dog, red deer and roe deer. Horse bones include the mandible of a 9-13 year old animal from pit 692, three loose teeth, one of which is a deciduous second premolar from a 3-3½ year old, a phalanx prima with unfused proximal epiphysis indicating an age of less than 13-15 months and a radius with cut marks on the posterior mid-shaft region. A single dog tibia was recorded from feature 640; the bone is from an adult animal. Deer bones include a roe deer humerus, red deer astragalus and basal part of a shed antler, thus deer were both hunted for meat and their antler collected for object manufacture. Evidence for the utilisation of antler was recorded on one non-countable fragment of red deer antler from gully 719. The specimen had been sawn transversely through the beam and axially through the origin of the crown. Evidence for antler working has previously been recorded from other

sites in Glastonbury (see for example Hollinrake and Hollinrake 2001: 21) and the raw material is likely to have been sourced from the abbey deer park.

Three species of bird have been identified from broadly dated features; these include chicken, goose and buzzard. Most of the chicken bones and all of the goose bones are from the wing and only adult birds are represented. Two buzzard (*Buteo buteo*) tarso-metatarsus were identified from gully 7078. Buzzards are likely to have been attracted to the town by the opportunity to scavenge on accumulating refuse and have been recorded from a number of urban sites in north-western Europe (Mulkeen and O'Connor 1997).

The Medieval Assemblage

A small number of identified bones were recovered from deposits that were more securely dated to the medieval period. Cattle bone are common, followed by pig and then sheep, the pattern of relative frequency is therefore similar to the large broadly dated sample. Other species include one roe deer mandible, a duck (*Anas sp.*) coracoid and goose tibio-tarsus.

The Post-Medieval and Modern Assemblage

A small number of cattle, sheep and pig bones were recovered from post-medieval and modern contexts, sheep bones are particularly abundant from modern pit 658. Two horse bones were identified from the post-medieval assemblage, they include a terminal phalanx and unworn deciduous third premolar from a newborn foal. Single finds of chicken, snipe (*Gallinago gallinago*) and crow/raven (*Corvus corone/Corvus corax*), and three oyster shells were also identified from the modern assemblage.

Summary

A small, well-preserved assemblage of animal bone was recovered from the site. Discussion of the results of analysis is limited due to sample size and broad date range, however the results add to the small corpus of data from late Saxon/medieval Glastonbury (Darvill and Coy 1985; Harcourt 1970; Levitan 1982; Noodle 1974). The most significant finding from the Bove Town animal bone assemblage is the high frequency of pig bones; this suggests that the bone waste deposited at the site came from a high status household.

References

- Adcock, A., 1976/1977. 'The animal bone', 38-39 in Leach, P. J., *Excavations at North Petherton, Somerset, 1975*. Proc. Somerset Archaeol. Nat. Hist. Soc. 121: 9-39.
- Albarella, U. and Davis, S., 1996. Mammals and Bird Bones from Launceston Castle: Decline in Status and the Rise of Agriculture. *Circaea* 12 (1) 1996 for 1994: 1-156.
- Albarella, U., Beech, M. and Mulville, J., 1997. *Saxon, Medieval and Post-Medieval Mammal and Bird Bones Excavated 1989-91 from Castle Mall, Norwich, Norfolk*. Ancient Monument Laboratory Report 72/97.

Boessneck, J., 1969. 'Osteological differences between sheep (*Ovis aries*) and goat (*Capra hircus*)', 331-358 in Brothwell, D. and Higgs, E. S. (eds.), *Science in Archaeology*, 2nd edition. London: Thames and Hudson.

Coy, J., 1983. 'Animal bone', 43-46 in Davies, S., *Excavations at Christchurch, Dorset, 1981 to 1983*. Dorset Nat. Hist. Archaeol. Soc. Proc. 105: 21-56.

Darvill, T. C. and Coy, J. P., 1985. 'Report on the faunal remains from the Mound, Glastonbury', 56-60 in Carr, J., *Excavations on the Mound, Glastonbury, Somerset, 1971*. *Proc. Somerset Archaeol. Nat. Hist. Soc.* 129: 37-62.

Davis, S., 1987. 'The dentition of an Iron Age pony', 52-55 in Ashbee, P., *Warsash, Hampshire excavations, 1954*. *Proc. Hampshire Fld Club Archaeol. Soc.* 43: 21-62.

Davis, S., 1991. *Faunal Remains from the Late Saxon – Medieval Farmstead at Eckweek in Avon, 1988-1989 Excavations*. Ancient Monuments Laboratory Report 35/91.

Davis, S., 1992. *A rapid method for recording information about mammal bones from archaeological sites*. Ancient Monuments Laboratory Report No. 19/92.

Grant, A., 1979. 'The animal bones', 60-70 in Cunliffe, B. (ed.), *Excavations in Bath 1950-1975*. Committee for Rescue Archaeology in Avon, Gloucestershire and Somerset.

Grant A., 1982. The use of tooth wear as a guide to the age of domestic animals, 91-108 in Wilson, B., Grigson, C. and Payne, S. (eds.), *Ageing and sexing animal bones from archaeological sites*. Oxford: Brit. Archaeol. Rep. Brit. Ser. 109.

Grant, A., 1988. 'Animal resources', 244-256 in Ashill, G. and Grant, A. (eds.), *The Countryside of Medieval England*. Oxford: Blackwell.

Halstead, P. 1985. A study of mandibular teeth from Romano-British contexts at Maxey, 219-224 in Pryor, F. and French, C., *Archaeology and environment in the lower Welland valley Vol. 1*. East Anglian Archaeol. Rep. 27.

Hambleton, E., 1999. *Animal husbandry regimes in Iron Age Britain: A comparative study of faunal assemblages from British archaeological sites*. Brit. Archaeol. Rep. Brit. Ser. 282.

Harcourt, R. A., 1970. 'Animal bones', 56-60 in Rahtz, P., *Excavations on Glastonbury Tor, Somerset, 1964-6*. *Archaeol. J.* 127: 1-81.

Harcourt, R. A., 1974. 'The dog in prehistoric and early historic Britain', *J. Archaeol. Sci.* 1: 151-75.

Higbee, L., 2007. 'Mammal and bird bone', 64-67; 95; 101; 120-125 & 136 in Davenport, P., Poole, C. and Jordan, D., *Archaeology in Bath: Excavations at the New Royal Baths (the Spa), and Bellott's Hospital 1998-1999*. Oxford Archaeology Monograph 3.

Higbee, L., forthcoming. 'The animal bone', in Jackson, R., *Excavations in Union Street, Bristol*. Bristol and Region Archaeological Service Monograph Series.

Higgs, E., Greenwood, W. and Garrard, A., 1979. 'Faunal Report', 354-62 in Rahtz, P., *The Saxon and Medieval Palaces at Cheddar*. Oxford: Brit. Archaeol. Rep. Brit. Ser. 65.

Hollinrake, C. and Hollinrake, N., 2001. *An Archaeological Evaluation behind Somerset House, Magdalene Street, Glastonbury*. Report number 224.

Horseley, I. P. and Winder, J. M., 1991. 'Late Saxon and Conquest period oyster middens at Poole, Dorset', 102-104 in Good, G. L., Jones, R. H. and Ponsford, M. W. (eds.), [*Waterfront Archaeology: Proceedings of the third international conference on waterfront archaeology held at Bristol, 23-26 September 1988*](#). Coun. Brit. Archaeol. Res. Rep. 74.

Levine, M., 1982. 'The use of crown height measurements and eruption wear sequences to age horse teeth', 223-50 in B. Wilson, C. Grigson and S. Payne (eds.), *Ageing and sexing animal bones from archaeological sites*. Brit. Archaeol. Rep. Brit. Ser. 109.

Levitan, B., 1982a. 'The animal bones', 42-71 in Ellis, P., *Excavations [of Abbey precinct vallum] at Silver Street, Glastonbury 1978*. *Proc. Somerset. Archaeol. Nat. Hist. Soc.* 126: 17-31 and microfiche.

Levitan, B., 1982b. 'The faunal remains', 269-284 in Leach, P., *Ilchester, Volume 1, Excavations 1974-1975*. Western Archaeol. Trust.

Levitan, B., 1984. 'Faunal remains from Priory Barn and Benham's Garage', 167-94 in Leach, P. (ed.), *The Archaeology of Taunton, Excavations and Fieldwork to 1980*. Western Archaeol. Trust.

Levitan, B., 1985. 'The animal bones', 130-35 in Saville, A., *Salvage Recording of Romano-British, Saxon, Medieval and Post-Medieval Remains at North Street, Winchcombe, Gloucestershire*. *Trans. Bristol Gloucestershire Archaeol. Soc.* 103: 101-39.

MacDonald, K. C., 1992. The domestic chicken (*Gallus gallus*) in sub-Saharan Africa: a background to its introduction and its osteological differentiation from indigenous fowls (*Numidinea* and *Francolinus* sp.), *J. Archaeol. Sci.* 19: 303-318.

Mulkeen, S. and O'Connor, T. P., 1997. Raptors in towns: towards an ecological model. *Int. J. Osteoarchaeol.* 7: 440-9.

Noodle, B., Bramwell, D. and Woodward, F., 1969. 'The animal bone', 124-26 in Rahtz, P., *Upton, Gloucestershire, 1964-1968*. Second Report. *Trans. Bristol Gloucestershire Archaeol. Soc.* 88: 74-126.

Noodle, B., 1974. 'Animal bone', 81-2 in Rahtz, P. and Hirst, S., Beckery Chapel, Glastonbury 1967-8. *Glastonbury Antiq. Soc.*

Noodle, B., 1985. 'Some of the faunal remains from Mary-Le-Port, Bristol', 177-79 in Watts, L. and Rahtz, P., *Mary-Le-Port Bristol, Excavations 1962/3*. Bristol, Museum and Art Gallery Monograph No. 7.

Maltby, J. M., 1979. Faunal studies on urban sites: The animal bones from Exeter 1971-1975. *Exeter Archaeol. Rep.* 2.

Maltby, M., 1982. 'Animal and bird bone', 114-35 in Higham, R., *Excavations at Okehampton Castle, Devon. Part 2 – The Bailey*. Proc. Devon Archaeol. Soc. 40: 19-151.

O'Connor, T. P., 1989. Bones from Anglo-Scandinavian Levels at 16-22 Coppergate. *The Archaeology of York* 15 (3): 137-207. London: Counc. Brit. Archaeol.

Payne, S., 1973. Kill-off patterns in sheep and goats: the mandibles from Asvan Kale. *Anatolian Studies* 23: 281-303.

Payne, S., 1985. Morphological distinction between the mandibular teeth of young sheep *Ovis* and goats *Capra*, *J. Archaeol. Sci.* 12: 139-147.

Payne, S., 1987. Reference codes for wear states in the mandibular cheek teeth of sheep and goats. *J. Archaeol. Sci.* 14: 609-614.

Payne, S., 1992. *Some notes on sampling and sieving for animal bones*, Ancient Monuments Laboratory Report No. 55/92.

Silver I. A., 1969. The ageing of domestic animals, 283-301 in Brothwell, D. and Higgs E. S. (eds.), *Science in archaeology*, 2nd edition. London: Thames and Hudson.

Von den Driesch, A. and Boessneck, J., 1974. Kritische anmerkungen zur widerristhohenberechnung aus Langenmassen vor- und fruhgeschichtlicher Tierknochen. *Saugetierkundliche Mitteilungen* 22: 325-348.

Von den Driesch, A., 1976. A guide to the measurement of animal bones from archaeological sites. *Peabody Museum Bulletin* 1. Cambridge Mass.: Harvard University.

Table 1. Bove Town, Glastonbury: number of specimens identified to species (or NISP) by broad chronological period. UD/US = undated context/unstratified find. Indet. = indeterminate.

Taxa	Period									Total
	IA/RB	late Saxon	late Saxon/medieval	medieval	medieval/post-medieval	post-medieval	post-medieval/modern	modern	UD/US	
cattle		6	66	7	1	4		3	6	93
sheep/goat		3	65	2		3	1	14	4	92
sheep		1	3			2				6
pig		2	68	4	2		2	2	3	83
horse			6			2				8
dog			1							1
red deer			2							2
roe deer			1	1						2
rabbit									1	1
chicken			7					1	1	9
duck				1						1
goose			2	1						3
snipe								1		1
buzzard			2							2
crow/raven								1		1
oyster		13	2					3		18
Total identified	0	25	225	16	3	11	3	25	15	323
large mammal	3	16	350	21	6	20	3	17	22	458
medium mammal	9	23	483	43	6	15	4	24	32	639
mammal	9	18	302	56		49	8	23	49	514
bird indet.		1	10	1		1		4		17
fish indet.			2					1		3
Total unidentifiable	21	58	1147	121	12	85	15	69	103	1631
Grand total	21	83	1372	137	15	96	18	94	118	1954

Table 2. Bove Town, Glastonbury: skeletal element representation for livestock species from the late Saxon and medieval assemblages combined, by number of fragments identified to species (or NISP) and minimum number of individuals (or MNI) by phase. Unfused epiphyses are not counted and each individual tooth within mandibles has been counted, hence the total is greater than the total NISP in Table 1. The MNI has been calculated as follows: Incisors and phalanges have been divided by 8, deciduous and permanent premolars by 6, M1/2 by 4, all other elements, except metapodia, by 2. Metacarpus = $(MC1 + MC2/2 + MP1/2 + MP2/4) / 2$ and Metatarsus = $(MT1 + MT2/2 + MP1/2 + MP2/4) / 2$. Where: MC1 = complete distal metacarpus; MC2 = half distal metacarpus; MT1 = complete distal metatarsus; MT2 = half distal metatarsus; MP1 = complete distal metapodium; MP2 = half distal metapodium. % = frequency of an element expressed in relation to the most common one (by MNI).

skeletal element	Taxa								
	cattle			sheep/goat			pig		
	NISP	MNI	%	NISP	MNI	%	NISP	MNI	%
Deciduous & permanent incisors	3	1	25	2	1	17	7	1	20
Deciduous & permanent premolars	5	1	25	4	1	17	6	1	20
M1/2	10	3	75	19	5	83	15	4	80
M3	4	2	50	7	4	67	5	3	60
Skull	2	1	25	2	1	17			
Mandible	2	1	25	5	3	50	10	5	100
Scapula	6	3	75	5	3	50	9	5	100
Humerus	8	4	100	12	6	100	7	4	80
Radius	2	1	25	2	1	17			
Metacarpus	2.5	2	50	1	1	17	3	2	40
Pelvis	3	2	50	4	2	33	4	2	40
Femur				1	1	17	2	1	20
Tibia	4	2	50	6	3	50	5	3	60
Astragalus	4	2	50	1	1	17	7	4	80
Calcaneus	3	2	50	3	2	33	6	3	60
Metatarsus	1.5	1	25	3	2	33	2	1	20
Phalanx 1	5	1	25	2	1	17	2	1	20
Phalanx 2	3	1	25						
Phalanx 3	3	1	25						
Total	71	31		79	38		90	40	

Table 3. Bove Town, Glastonbury: preservation condition of assemblage by fragment count and percentage of gnawed fragments. Preservation categories are 1 = good through to 4 = poor.

preservation condition	No. fragments	% Gnawed
1	1843	0.4
2	73	31.5
3	17	17.6
4	3	0
Total	1936	1.8

Table 5. Bove Town, Glastonbury: number and percentage of fused epiphyses for livestock species from late Saxon and medieval assemblage combined. Fusion categories categories after O'Connor (1989). Fused and fusing epiphyses are amalgamated. Only unfused diaphyses, not epiphyses are counted. F = total number of fused/ing epiphyses; % = percentage of fused/ing epiphyses out of the total number of fused/ing epiphyses and unfused diaphyses (U).

Taxa/fusion category	F	U	%F
<i>cattle</i>			
early	15		100
intermediate	15	2	88
late	1	5	17
final	8	4	67
<i>sheep/goat</i>			
early	14		100
intermediate I	2		100
Intermediate II	5	5	50
late	4	1	80
final	10	16	38
<i>pig</i>			
early	9	3	75
intermediate I	3	7	30
intermediate II		7	100
late		2	100
final		1	0

Table 4. Bove Town, Glastonbury: list of sites from the SW region plotted in Figure 1. Abbreviations: AV = Avon; CO = Cornwall; DO = Dorset, DV = Devon, GC = Gloucestershire; SO = Somerset, U = urban, V = village, P = palace, C = castle, M = medieval, EM = early medieval, MM = middle medieval, LM = late medieval. % = relative frequency by NISP.

Site	County	Site type	Period	% Cattle	% Sheep	% Pig	Reference
Bath	AV	U	M	37	49	14	Grant 1979
Bath, Spa	AV	U	M	29	56	15	Higbee 2007
Bristol, Mary-Le-Port	AV	U	M	49	42	8	Noodle 1985
Bristol, Union Street	AV	U	M	35	43	22	Higbee forthcoming
Cheddar Palace	SO	P	EMMM	64	22	13	Higgs <i>et al</i> 1979
Cheddar Palace	SO	P	MMLM	30	36	34	Higgs <i>et al</i> 1979
Christchurch	DO	U	M	45	44	11	Coy 1983
Eckweek	AV	V	MM	23	67	11	Davis 1991
Exeter	DV	U	MM	39	46	15	Maltby 1979
Exeter	DV	U	LM	40	47	13	Maltby 1979
Glastonbury, The Mound	SO	U	EM	32.5	32.5	35	Darvill and Coy 1985
Glastonbury, Silver Street	SO	U	EM	32.5	54.3	13	Levitan 1982a
Glastonbury, Silver Street	SO	U	MMLM	37	48	15	Levitan 1982a
Glastonbury, Bove Town	SO	U	EMM	32.6	33.6	33.6	this report
Ilchester	SO	U	M	44	48	7	Levitan 1982b
Launceston Castle	CO	C	MM	31	33	36	Albarella and Davis 1996
Launceston Castle	CO	C	LM	42	30	27	Albarella and Davis 1996
North Petherton	SO	V	LM	51	38	11	Adcock 1976/77
Okehampton Castle	DV	C	MM	35	36	29	Maltby 1982
Okehampton Castle	DV	C	LM	36	50	14	Maltby 1982
Taunton, Benham's Garage	SO	U	EMMM	59	38	3	Levitan 1984
Taunton, Benham's Garage	SO	U	MM	48	47	4	Levitan 1984
Taunton, Priory Barn	SO	U	EMMM	33	61	6	Levitan 1984
Upton	GC	V	EMMM	18	78	4	Noddle <i>et al</i> 1969
Winchcombe	GC	U	M	50	46	4	Levitan 1985

