

16-18 Minto Street, Edinburgh: Archaeological Works Data Structure Report

AOC 24063

15th September 2017



ARCHAEOLOGY

HERITAGE

CONSERVATION

16-18 Minto Street, Edinburgh: Archaeological Works Data Structure Report

On Behalf of: Minto Street Properties LLP
4-5 Gough Square,
London
EC4A 3DE

National Grid Reference (NGR): NT 26682 71986

AOC Project No: 24063

OASIS No: aocarcha1-

Prepared by: Anne-Aymonne Marot

Date of Fieldwork: 14th September 2017

Date of Report: 15th September 2017

This document has been prepared in accordance with AOC standard operating procedures.

Author: Anne-Aymonne Marot

Date: 15th September 2017

Approved by: Martin Cook

Date: 15th September 2017

Draft/Final Report Stage: Draft

Date: 25th September 2017

Enquiries to: AOC Archaeology Group
Edgefield Industrial Estate
Edgefield Road
Loanhead
EH20 9SY

Tel. 0131 440 3593
Fax. 0131 440 3422
e-mail. edinburgh@aocarchaeology.com



Contents

| | Page |
|--|-------------|
| List of Illustrations | 2 |
| List of Plates | 2 |
| List of Appendices | 2 |
| ABSTRACT | 3 |
| 1 INTRODUCTION | 4 |
| 1.1 Development background | 4 |
| 1.2 Site Location | 4 |
| 1.3 Archaeological background | 4 |
| 2 OBJECTIVES | 5 |
| 3 METHODOLOGY | 5 |
| 4 RESULTS | 6 |
| 4.1 Introduction | 6 |
| 5 CONCLUSIONS AND RECOMMENDATIONS | 7 |
| 6 REFERENCES | 7 |
| APPENDIX 1: PHOTOGRAPHIC REGISTERS | 10 |
| APPENDIX 2: <i>'DISCOVERY AND EXCAVATION IN SCOTLAND'</i> REPORT | 11 |

List of Illustrations

Figure 1: Site location plan

Figure 2: Location of wells

Figure 3: Drawing No. 401 provided by McColl Associates

Figure 4: W & AK Johnston, The City of Edinburgh, 1833

Figure 5: Lizars, W.H., Plan of Edinburgh and Leith, 1842

Figure 6: Ordnance Survey, 1st Edition, 1855

List of Plates

Plate 1: General view of well to the NE of 18 Minto Street

Plate 2: General view of well to the NE of 16 Minto Street

List of Appendices

Appendix 1: Photographic Register

Appendix 2: *'Discovery and Excavation in Scotland'* Report

ABSTRACT

A programme of archaeological works was undertaken by AOC Archaeology during the renovation of a residential development at 16-18 Minto Street, Edinburgh.

The works comprised the recording of two wells which included photographic and written records. The wells were located to the NE of the structures and were of stone constructions.

1 INTRODUCTION

1.1 Development background

1.1.1 A programme of archaeological works was required during construction works on a development at 16-18 Minto Street, Edinburgh. The scope of the works was determined by the City of Edinburgh Council, which is advised on archaeological matters by the City of Edinburgh Council Archaeology Service (CECAS). The archaeological works were conducted according to the terms of a *Written Scheme of Investigation* (AOC 2017), approved on behalf of the City of Edinburgh Council by CECAS and in accordance with *Scottish Planning Policy* (Scottish Government 2014) and *PAN 2/2011 Planning and Archaeology* (Scottish Government 2011)

1.2 Site Location

1.2.1 The development site is located within the Newington area of Edinburgh to the south east of the city centre (centred on NGR: NT 26682 71986). The site was the location of the Minto Hotel and is set along a row of residential and commercial buildings, with further buildings to the back.

1.3 Archaeological background

1.3.1 The development site is a category B Listed Building located within the Blacket Conservation Area. The structures are two 2 storey, early 19th century buildings with modern additions. The Ordnance survey of 1855 shows a building in the location of the development area, but no well are indicated.



Figure 4 - W & AK Johnston, The City of Edinburgh, 1833



Figure 5 - Lizars, W.H., Plan of Edinburgh and Leith, 1842



Figure 6 - Ordnance Survey, 1st Edition, 1855

2 OBJECTIVES

2.1 The objectives of the archaeological works were:

- i) To create a detailed record of the exposed well through written, photographic and drawn records
- ii) To survey the location of both well

3 METHODOLOGY

3.1 A detailed photographic, written and drawn record of the wells were undertaken before they were up filled and covered by the contractor.

3.2 General and detailed photographic records were taken of both well, including their locations. A 1m ranging pole was used in all shots where health and safety permitted. A photographic register was completed and attached as Appendix 1.

- 3.3 A written record was kept identifying the condition, construction and measurements (where health and safety permitted).
- 3.4 A survey was undertaken using a Trimble GPS.

4 RESULTS

4.1 Introduction

- 4.1.1 The archaeological works were conducted on the 14th September 2017. Weather conditions were good allowing for good archaeological visibility. The data gathered from the works are presented in the following appendices:

Appendix 1: Photographic Register

Appendix 2: *'Discovery and Excavation in Scotland'* entry

- 4.2 Two well were observed to the NE of 16-18 Minto Street, to the back of the structures. Both were still mostly covered by clay sand and demolition rubble and filled with water. No stones were visible on the surface.
 - 4.2.1 The first well was located 2.70 m to the NE of 18 Minto Street. It measured 1.20 m in diameter and 1.10 m to the water level continuing at least 2.50 m below water level. Nine uneven courses of unbound stones were visible. The stones were mostly sub-angular, and of varying sizes but generally about 0.05 m - 0.20 m high. A metal pipe was set against the west side, starting in between the stones on the second course and continuing below the water level.



Plate 2 – General view of well to the NE of 18 Minto Street

4.2.2 A second well was located to the west, 2.90 m NE on 16 Minto Street. It measured 1.10 m in diameter. The well was covered by 0.60 m of overburden, a modern slab flooring, 0.04 m - 0.05 m, a reddish brown gritty sand 0.20 m deep, a mid greyish brown clay sand 0.20 m deep and a concrete slab 0.15 m directly above the well. The concrete slab extended about 0.20 m SE and covered part of the well. Eight courses of course uneven stones were visible above water level. The upper three courses presented the remains of bonding material. Some of the stones were cut in a curved shape to fit the curve of the well. Two metal pipes were visible on opposite sides of the well, to the NW and SE, starting between the stones of the second course and continuing below the water level.



Plate 3 – General view of well to the NE of 16 Minto Street

5 CONCLUSIONS AND RECOMMENDATIONS

- 5.1 The photographic survey recorded the two wells which were exposed during works at 16-18 Minto street. As the archaeology within the designated area has been recorded following the recommendations of CECAS, it is recommended that no further works are required. This recommendation will require the approval of the City of Edinburgh Council, as advised by CECAS.
- 5.2 A proposal was provided by McColl Associates, Consulting civil and Structural Engineers for the protection of well at no 16 and 18 Minto Street. Drawing no 401 (Fig 3) outlines plans for the infill and covering of the well, including an initial infill with type 1 and a foam concrete infill.

6 REFERENCES

Lizars, W.H., 1842, *Plan of Edinburgh and Leith*

Ordnance Survey, 1st Edition, 1855

Scottish Government 2011, *PAN 2/2011 Planning and Archaeology*

Scottish Government 2014 *Scottish Planning Policy 2014, Archaeology and Planning*

W & AK Johnston, 1833, *The City of Edinburgh*

16-18 Minto Street, Edinburgh:
Archaeological Works Data Structure Report

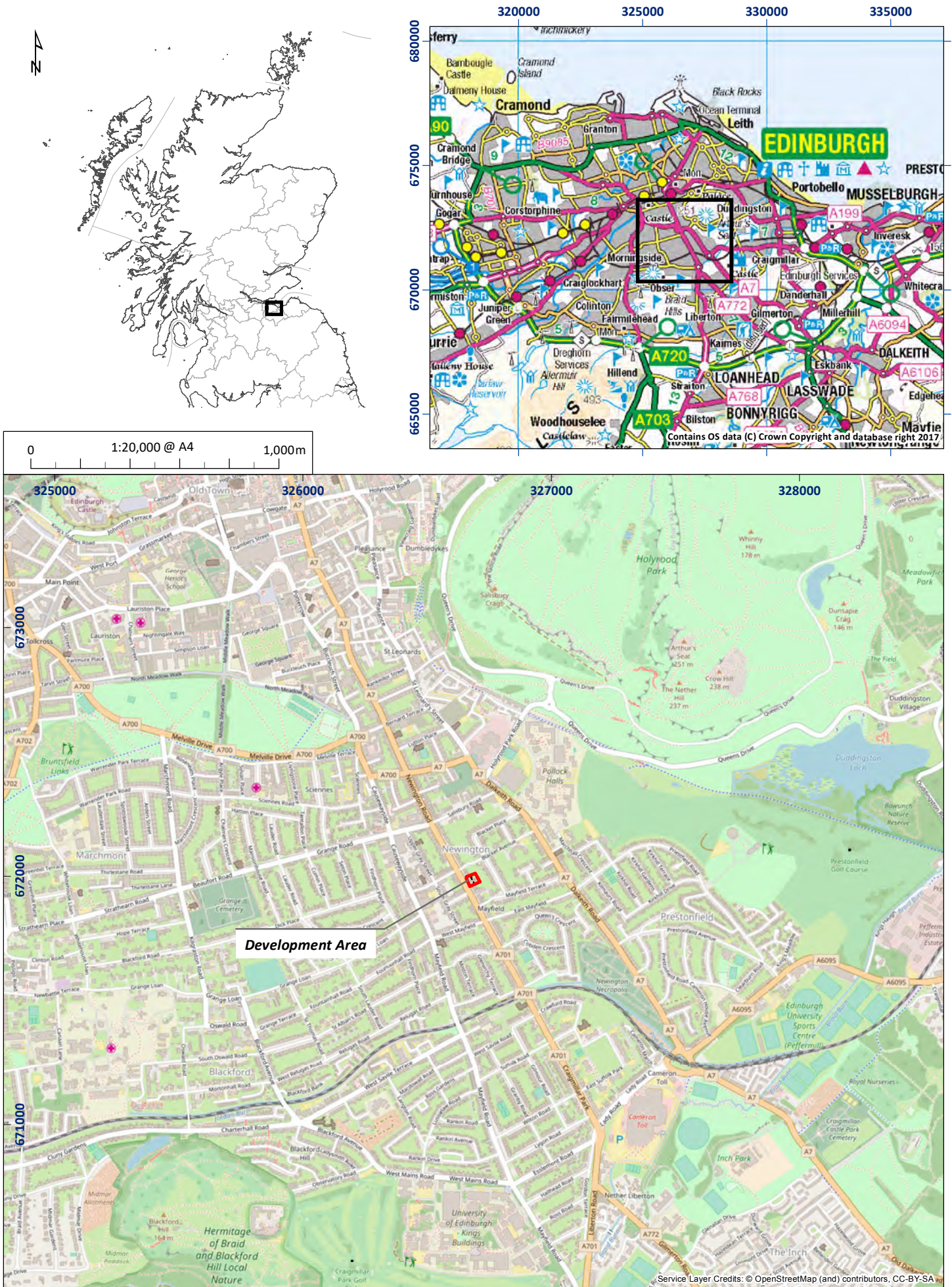


Figure 1: Site location plan

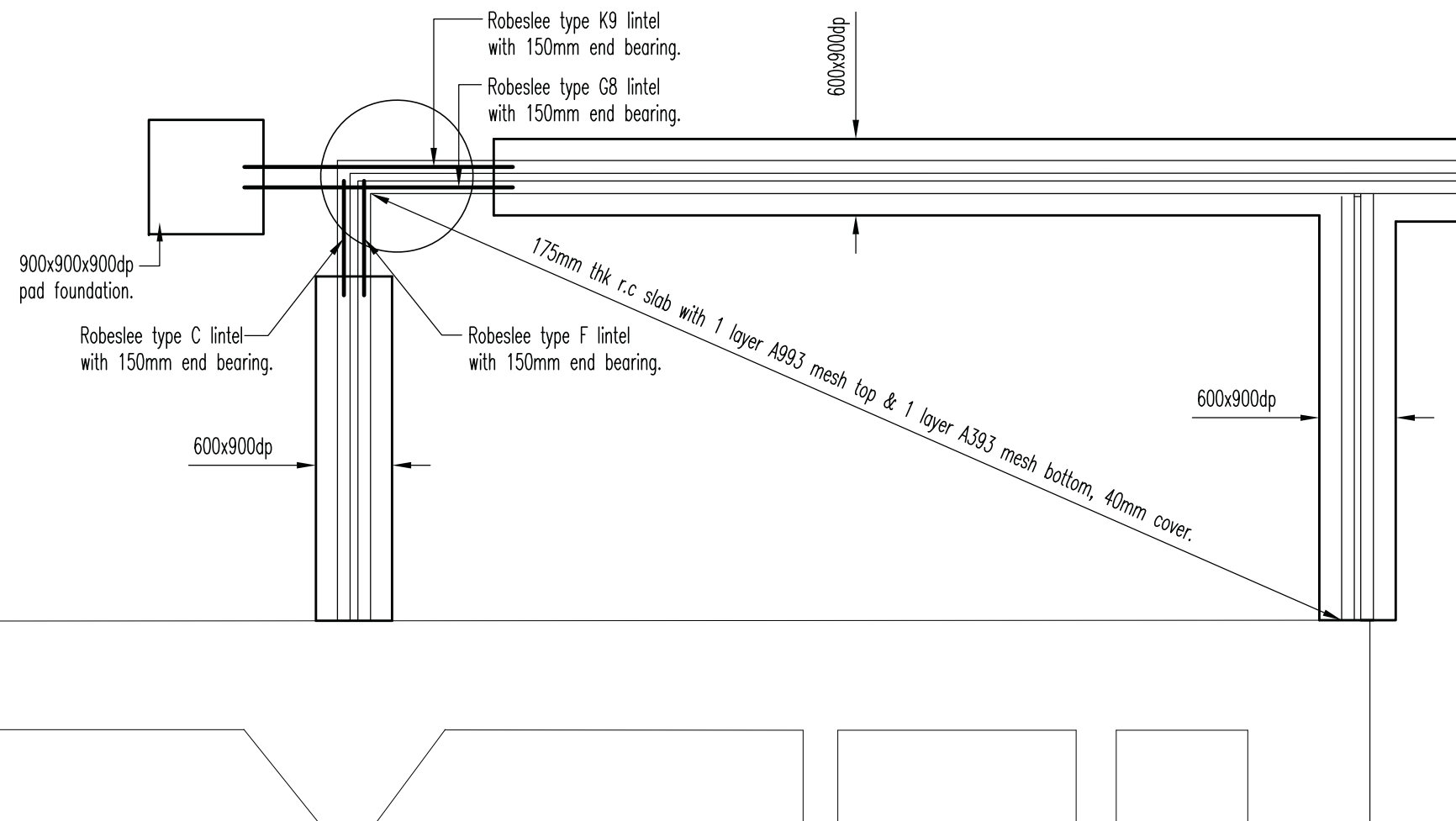
01/24063/DSR/01/01



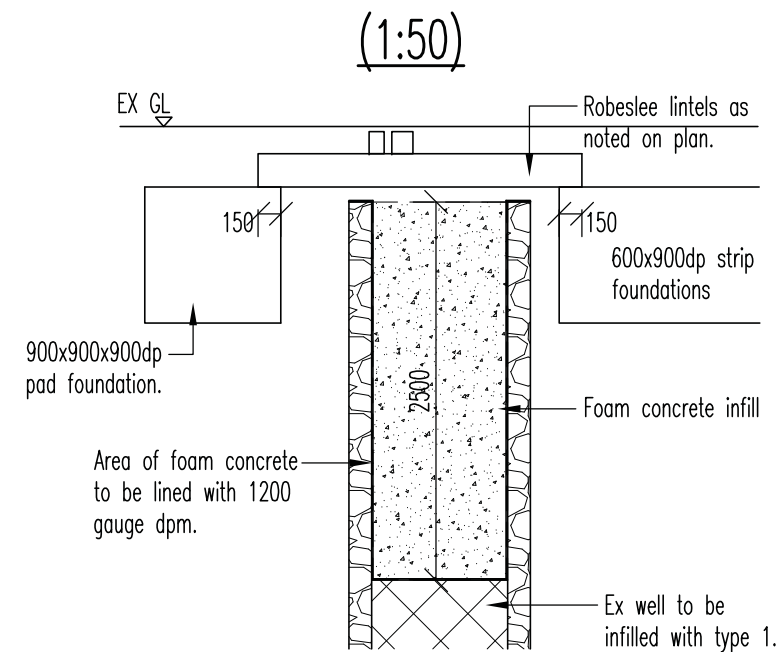
Figure 2: Location of wells

01/24063/DSR/02/01

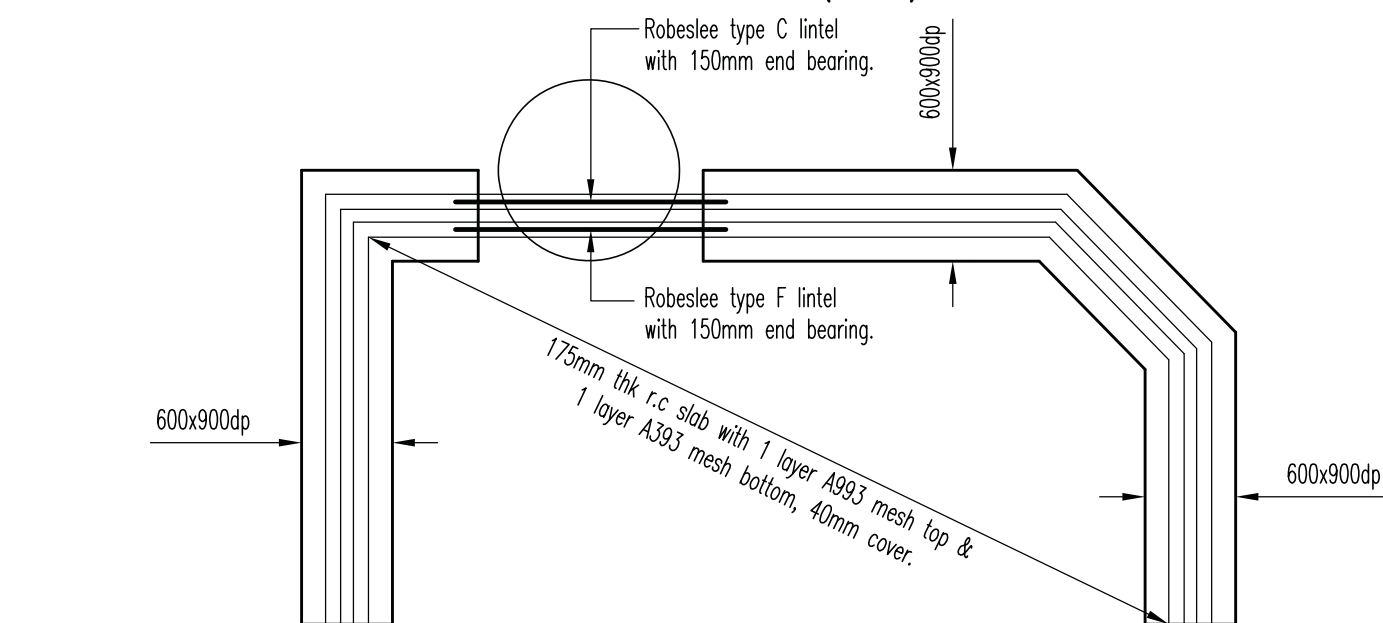
PLAN ON FOUNDATIONS AT WELL TO No. 16 (1:50)



SECTION THROUGH WELL AT No. 16 (1:50)



PLAN ON FOUNDATIONS AT WELL TO No. 18 (1:50)



SECTION THROUGH WELL AT No. 18 (1:50)

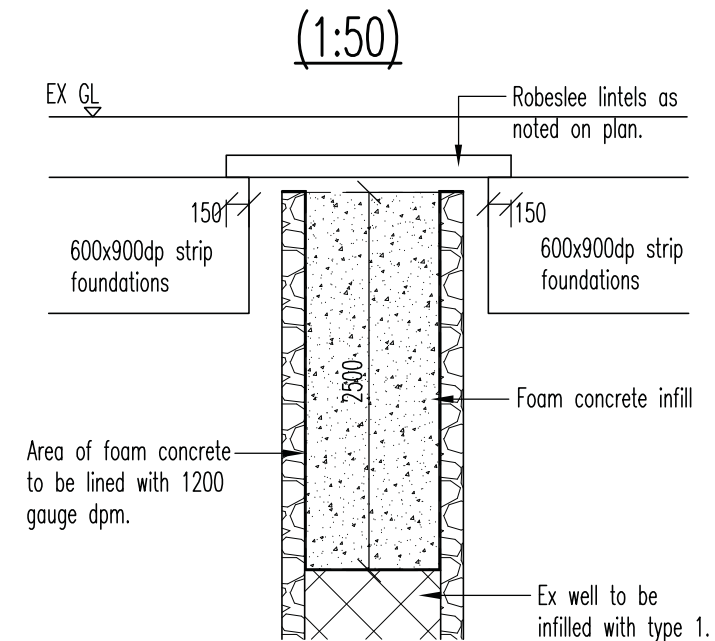


Figure 3: Drawing no 401 provided by McColl Associates

**16-18 Minto Street, Edinburgh:
Archaeological Works
Data Structure Report**

Section 2: Appendices

APPENDIX 1: PHOTOGRAPHIC REGISTERS

| Frame | Description | From | Date |
|-------|---------------------------------|------|------------|
| 001 | General view of site | E | 14/09/2017 |
| 002 | General view of site | S | 14/09/2017 |
| 003 | General view of site | N | 14/09/2017 |
| 004 | Detailed view of well to the SE | W | 14/09/2017 |
| 005 | Detailed view of well to the SE | W | 14/09/2017 |
| 006 | Detailed view of well to the SE | SW | 14/09/2017 |
| 007 | Detailed view of well to the SE | S | 14/09/2017 |
| 008 | Detailed view of well to the SE | SE | 14/09/2017 |
| 009 | Detailed view of well to the SE | E | 14/09/2017 |
| 010 | Detailed view of well to the SE | NE | 14/09/2017 |
| 011 | Detailed view of well to the SE | N | 14/09/2017 |
| 012 | Detailed view of well to the SE | P | 14/09/2017 |
| 013 | Detailed view of well to the NW | SE | 14/09/2017 |
| 014 | Detailed view of well to the NW | SE | 14/09/2017 |
| 015 | Detailed view of well to the NW | E | 14/09/2017 |
| 016 | Detailed view of well to the NW | E | 14/09/2017 |
| 017 | Detailed view of well to the NW | NE | 14/09/2017 |
| 018 | Detailed view of well to the NW | NE | 14/09/2017 |
| 029 | Detailed view of well to the NW | N | 14/09/2017 |
| 020 | Detailed view of well to the NW | NW | 14/09/2017 |
| 021 | Detailed view of well to the NW | W | 14/09/2017 |
| 022 | Detailed view of well to the NW | SW | 14/09/2017 |
| 023 | Detailed view of well to the NW | S | 14/09/2017 |
| 024 | Detailed view of well to the NW | SE | 14/09/2017 |

APPENDIX 2: 'DISCOVERY AND EXCAVATION IN SCOTLAND' REPORT

| | |
|---|---|
| LOCAL AUTHORITY: | City of Edinburgh Council |
| PROJECT TITLE/SITE NAME: | 16-18 Minto Street, Edinburgh |
| PROJECT CODE: | 24063 |
| PARISH: | Edinburgh |
| NAME OF CONTRIBUTOR: | Anne-Aymonne Marot |
| NAME OF ORGANISATION: | AOC Archaeology Group |
| TYPE(S) OF PROJECT: | Photographic Survey |
| NMRS NO(S): | N/A |
| SITE/MONUMENT TYPE(S): | None |
| SIGNIFICANT FINDS: | None |
| NGR (2 letters, 6 figures) | NT 26682 71986 |
| START DATE (this season) | 14 th September 2017 |
| END DATE (this season) | 14 th September 2017 |
| PREVIOUS WORK (inc DES) | None |
| MAIN (NARRATIVE) DESCRIPTION: (May include information from other fields) | A programme of archaeological works was undertaken by AOC Archaeology during the renovation of a residential development at 16-18 Minto Street, Edinburgh. The works comprised the recording of two wells which included photographic and written records. The wells were located to the NE of the structures and were of stone constructions. |
| PROPOSED FUTURE WORK: | None |
| CAPTION(S) FOR ILLUSTRATIONS: | N/A |
| SPONSOR OR FUNDING BODY: | Minto Street Properties LLP |
| ADDRESS OF MAIN CONTRIBUTOR: | AOC Archaeology Group Edgefield Road Industrial Estate Loanhead, Midlothian, EH20 9SY |
| EMAIL ADDRESS: | admin@aocarchaeology.com |
| ARCHIVE LOCATION | Archive to be deposited in NMRS |



AOC Archaeology Group, Edgefield Industrial Estate, Edgefield Road, Loanhead EH20 9SY
tel: 0131 440 3593 | fax: 0131 440 3422 | e-mail: edinburgh@aocarchaeology.com

www.aocarchaeology.com

