

A MEDIEVAL ROYAL COMPLEX AT GUILDFORD: EXCAVATIONS AT THE CASTLE AND PALACE

The context listing

A full list of contexts is presented in phase order (tables 3–18), together with a context to phase index in context number order (table 2). The full list provides a brief description for each context, indicates where (if at all) it is to be found on published plans or sections, and gives brief details of the primary dating evidence, the pottery (see Chapter 4 for full details). The abbreviations are defined as follows:

- PWW stands for pre-whitewares, indicating fabrics whose currency begins before whiteware production began *c*1240, although some may have continued to be made after that date.
 WW stands for whitewares whose production is assumed to have begun *c*1240.
 OM stands for other medieval wares, of which most here are of later 13th or 14th century date.
 PM stands for post-medieval pottery, here implying a date after about 1500.

A spot date is also given, based purely on consideration of the pottery evidence. As will be seen, this date is sometimes ignored or contradicted in assigning a phase to the context, essentially because the stratigraphic evidence and associations are regarded as of greater merit. The reason for such divergence is not always explicable, and sometimes may be the result of human error in excavation or recording, perhaps a bigger hazard in a training excavation than in a fully professional one. Sometimes the reason may be indicated by what is termed the stratigraphic quality (STR) of the context, that is the potential for contamination, as follows:

- STR=1 Well-defined and sealed (in lifetime of palace) context.
 STR=2 As above but where circumstances (eg depth of excavation, personnel involved) introduce a risk of contamination.
 STR=3 Initial identification/separation tentative and/or layer not well sealed.
 STR=4 Contamination/confusion probable.

Table 2 List of all contexts of the 1990-4 excavations in numerical order

YR	TR	CON	=CON	=CON	=CON	DESCRIPTION	SPOT DATE	PWW	WW	OM	PM	PH	STR	PLAN	SECT
90	-	100	-	-	-	Garden soil	19	5	11	0	67	7	-		1.11, 0.12
90	-	101	-	-	-	Cleaning layer	19	16	26	3	188	7	-		
90	-	102	-	-	-	Tennis court layer	-	0	0	0	0	7	-		
90	-	103	-	-	-	Soil layer	19	14	36	3	52	7	-		
90	-	104	-	-	-	Pit + fill	19	0	0	0	2	7	-		
90	-	105	-	-	-	Layer	-	0	0	0	0	7	-		
90	-	106	-	-	-	Fill of subsidence in 132	L13/14	4	1	0	0	4 B	2		0.12
90	-	107	-	-	-	Cleaning layer	19	12	13	0	15	7	-		
90	-	108	-	-	-	Remnant of 100	-	0	0	0	0	7	-	#	
90	-	109	931	-	-	Wall	-	0	0	0	0	3	1		
90	-	110 a	-	-	-	Stratigraphic division only	-	0	0	0	0	4 B	1		0.12
90	-	110 bc	230	-	-	Stratigraphic division only	-	0	0	0	0	1 A	1		0.12
90	-	110	-	-	-	Layer, mainly demolition	L13/14	96	37	44	0	6	-		
90	-	111	-	-	-	Pit + fill	-	0	0	0	0	6	-		
90	-	112	-	-	-	Layer	L13/14	3	2	0	0	6	-		1.11
90	-	113 B	-	-	-	Stratigraphic division only	12	3	0	0	0	1 C	-	#	1.11
90	-	113 C	-	-	-	Stratigraphic division only	12	2	0	0	0	1 C	1	#	1.11
90	-	113	-	-	-	Bailey ditch and fill	12	28	0	1	0	1 C	3		
90	-	114	-	-	-	Remnant of 100	-	0	0	0	0	7	-		
90	-	115	-	-	-	Demolition layer	L13/14	1	52	2	0	6	-		1.11, 0.12
90	-	116	-	-	-	Layer	L13/14	1	2	0	0	6	-		0.12
90	-	117	-	-	-	Continuation of 110	L13/14	0	0	1	0	6	-		
90	-	118	-	-	-	Natural chalk	-	0	0	0	0	0	1		
90	-	119	-	-	-	Layer, possible occupation deposit	L13	17	3	0	0	4 B	1		
90	-	120	-	-	-	Demolition rubble	-	0	0	0	0	6	-		
90	-	121	-	-	-	Lower levels of 103	19	23	9	4	24	7	-		
90	-	122	-	-	-	Pit/posthole	16	0	0	0	1	7	-		
90	-	123	-	-	-	Layer	19	0	1	2	3	7	-		
90	-	124	-	-	-	Red/brown soil	L13/14	116	9	1	0	1 A	3		0.12
90	-	125	-	-	-	Terracing	-	0	0	0	0	3	1		
90	-	126	133	-	-	Loose rubble fill of 132	L13/14	2	2	0	0	2 A	1	#	0.12
90	-	127	-	-	-	Rubble layer	L13/14	2	1	0	0	7	-		
90	-	128	-	-	-	Cut for 113	-	0	0	0	0	1 C	1	#	
90	-	129	-	-	-	Posthole	-	0	0	0	0	5 C	1	#	0.5
90	-	130	-	-	-	Posthole	-	0	0	0	0	5 C	1	#	
90	-	131	-	-	-	Pit	L13/14	10	0	0	0	5 C	1	#	0.4
90	-	132	-	-	-	Cut for garderobe pit	-	0	0	0	0	2 A	1	#	0.12
90	-	133	-	-	-	Loose rubble fill of 132	L13/14	4	3	1	0	4 B	1		0.12
90	-	134	-	-	-	Pit	L13 or PM	8	1	0	1	5 C	3	#	0.6
90	-	135	-	-	-	Posthole	L13/14	2	1	0	0	5 C	3	#	0.3
90	-	136	-	-	-	Rubble layer	L13/14	18	11	0	0	6	-		
90	-	137	-	-	-	Mortared chalk rubble	-	0	0	0	0	6	-		1.11
90	-	138	962?	-	-	Stone rubble layer	-	0	0	0	0	6	-		1.11
90	-	139	-	-	-	Stone rubble layer	L13/14	3	1	0	0	6	-		0.12
90	-	140	260	-	-	Dumped small chalk rubble	L12/13	8	0	0	0	2 B	1		
90	-	141	210	-	-	Chalk and silty clay layer	L12/13	3	0	0	0	2 B	1		0.12
90	-	142	-	-	-	Pot in layer 124	L13/14	23	0	0	0	1 A	1		
90	-	143	962?	-	-	Demolition debris layer	L13/14	5	1	0	0	6	-		1.11
90	-	144	-	-	-	Part of stokehole fill	-	0	0	0	0	2 B	3		
90	-	145	-	-	-	Mortar and roof tile layer (construction deposit)	L13/14	3	2	0	1	3	2		1.11
90	-	146	-	-	-	Small chalk rubble layer	-	0	0	0	0	3	2		
90	-	147	-	-	-	Silty layer	L12+	2	0	0	0	3	2		
90	-	148	931	-	-	Offset to 109	-	0	0	0	0	3	1		
90	-	149	-	-	-	Construction deposit	L12+	1	0	0	0	3	2		1.11
90	-	150	-	-	-	Loose mortar and chalk rubble layer	-	0	0	0	0	6	-		1.11
90	-	151	964?	966?	-	Compacted chalk rubble layer	-	0	0	0	0	3	2		1.11
90	-	152	-	-	-	Layer of silty chalk	-	0	0	0	0	3	2		1.11
90	-	153	-	-	-	Fill of subsidence in 132	L13/14	6	0	0	0	4 B	1		0.12
90	-	154	-	-	-	Prob same as 124	L13/14	18	11	0	0	1 A	4		0.12
90	-	155	-	-	-	Silty clay layer - unstratified	L13/14	3	1	0	0	-	-		
90	-	156	-	-	-	Pit + fill	L12+	5	0	1	0	1 D	1	#	0.8
90	-	157	-	-	-	Slot + fill	12	3	0	0	0	1 D	1	#	
90	-	158	-	-	-	Chalk and silty clay layer	-	0	0	0	0	2 B	1		

Table 2 List of all contexts of the 1990-4 excavations in numerical order (continued)

YR	TR	CON	=CON	=CON	=CON	DESCRIPTION	SPOT	DATE	PWW	WW	OM	PM	PH	STR	PLAN	SECT
90	-	159	-	-	-	Wall	-	-	0	0	0	0	2 B	1	#	
90	-	160	-	-	-	Wall	-	-	0	0	0	0	2 B	1		
90	-	161	-	-	-	Silty layer	-	-	0	0	0	0	3	2		1.11
90	-	162	-	-	-	Silty clay layer	-	-	0	0	0	0	3	2		1.11
90	-	163	-	-	-	Layer	-	-	0	0	0	0	6	-		
91	-	200	-	-	-	Machining clearance	-	-	0	0	0	0	7	-		1.6
91	-	201	-	-	-	Backfills from 1991 exc	19	-	4	12	1	52	7	-		
91	-	202	-	-	-	Outer bailey ditch cleaning spit	-	-	0	0	0	0	7	-		
91	-	203	-	-	-	Cleaning spit	18	-	0	0	0	1	7	-		1.6
91	-	204	-	-	-	Chalk on top of opened bank	-	-	0	0	0	0	7	-		1.8
91	-	205	-	-	-	Cleaning spit	17	-	7	8	0	2	7	-		
91	-	206	-	-	-	Clayey-chalk layer	L13/14	-	0	1	0	0	7	-		
91	-	207	-	-	-	Chalk rubble below 206	17	-	1	0	0	1	7	-		
91	-	208	-	-	-	Outer bailey ditch cut number	-	-	0	0	0	0	1 C	1	#	1.8
91	-	209	-	-	-	'Well' backfill	E13	-	2	0	0	0	7	-		
91	-	210	141	-	-	Chalk and silty clay layer	L13/14	-	1	0	0	0	2 B	3	#	
91	-	211	-	-	-	Posthole	-	-	0	0	0	0	6	-		
91	-	212	-	-	-	Ditch spit	L13/14 or PM	-	2	1	0	1	1 C	4	#	1.8
91	-	213	-	-	-	Cleaning spit	L15/16	-	28	125	1	10	7	-		1.6
91	-	214	-	-	-	Cleaning spit from pit	L13/14	-	1	3	0	0	7	-		
91	-	215	-	-	-	Dark loamy layer	19	-	3	4	0	6	7	-		
91	-	216	-	-	-	Tile layer	L13/14	-	0	1	0	0	6	-		
91	-	217	-	-	-	Dark brown layer	18/19	-	8	4	1	9	7	-		
91	-	218	342	-	-	Wall	L13/14	-	19	1	0	0	5 A	1	#	
91	-	219 a	338	-	-	Stratigraphic division only	-	-	0	0	0	0	5 B	1		1.6
91	-	219 b	338	-	-	Stratigraphic division only	-	-	0	0	0	0	5 B	1		1.6
91	-	219 c	433	-	-	Stratigraphic division only (compacted chalk levelling)	-	-	0	0	0	0	5 B	1		1.6
91	-	219 d	436	-	-	Stratigraphic division only	-	-	0	0	0	0	2 C	1		1.6
91	-	219	110a?	-	-	Mortar, silty loam and chalk layer	L13	-	23	11	1	0	5 B	1		
91	-	220	-	-	-	'Primary' demolition layer	15/16	-	21	30	2	1	6	-		
91	-	221	-	-	-	Posthole	L13-15	-	0	2	0	0	7	-		
91	-	222	-	-	-	Demolition layer	L13/14	-	32	19	0	0	6	-		1.12
91	-	223	-	-	-	Cleaning layer of lime kiln	L13/14	-	19	13	0	0	4 C	1		
91	-	224	-	-	-	Clay and tile lining of tile kiln	-	-	0	0	0	0	2 B	1		
91	-	225	-	-	-	Collapse of internal kiln structure	-	-	0	0	0	0	2 B	1		
91	-	226	-	-	-	Collapse/dumping in stokepit area	L12/13	-	3	1	0	0	2 B	2	#	
91	-	227	-	-	-	Lower level of outer bailey ditch	L12/13	-	3	0	0	0	1 C	1	#	1.8
91	-	228	-	-	-	Lime kiln cut no.	-	-	0	0	0	0	4 C	2		
91	-	229	-	-	-	'Modern' pit cut into 222	18	-	0	0	0	2	7	-		
91	-	230	334	385	124	Red/brown soil	L12/13	-	23	0	0	0	1 A	1		1.6
91	-	231	432	-	-	Chalky rubble layer	L13/14	-	0	1	0	0	5 B	1	#	
91	-	232	432	-	-	Brown soily layer beneath 231	-	-	0	0	0	0	5 B	1	#	
91	-	233	-	-	-	Tile layer	L13/14	-	3	0	0	0	5 B	1		
91	-	234	-	-	-	Silty layer	L13/14	-	3	0	0	0	5 B	1		
91	-	235	-	-	-	Imaginary feature	L13/14	-	6	1	1	0	-	-		
91	-	236	408	-	-	Partition wall	-	-	0	0	0	0	5 A	1	#	
91	-	237	401	-	-	Large wall running east-west	-	-	0	0	0	0	2 A	1	#	
91	-	238	-	-	-	Layer	L13/14	-	3	4	2	0	4 C	1		1.12
91	-	239	-	-	-	Front of kiln structure	-	-	0	0	0	0	2 B	1		
91	-	240	-	-	-	Spit beneath 238	L13/14	-	2	31	4	0	4 C	1		1.12
91	-	241	-	-	-	Same as 230	L13/14	-	1	1	0	0	1 A	4		
91	-	242	-	-	-	Thin crusty layer forming floor of kiln	L12/13	-	4	0	0	0	2 B	1	#	
91	-	243	-	-	-	Charcoal layer below 242	-	-	0	0	0	0	2 B	1	#	
91	-	244	-	-	-	Posthole	-	-	0	0	0	0	6	-		
91	-	245	-	-	-	Posthole	-	-	0	0	0	0	6	-		
91	-	246	-	-	-	Chalk layer below 238	-	-	0	0	0	0	4 C	1		
91	-	247	-	-	-	Flint layer below 238	L13/14	-	3	2	0	0	4 C	-		1.12
91	-	248	-	-	-	Yellow mortar and chalk layer	E13	-	3	0	0	0	6	-		
91	-	249	-	-	-	Pit/posthole in wall	-	-	0	0	0	0	7	-		
91	-	250	-	-	-	Pinky-cream layer under 243	L12/13	-	1	0	0	0	2 B	2	#	
91	-	251	-	-	-	Pale yellow/brown layer	L13/14	-	1	0	0	0	4 C	1		
91	-	252	-	-	-	Charcoal-rubbly layer	L13/14	-	108	44	4	0	4 C	1		
91	-	253	-	-	-	Light brown layer	L13/14	-	2	2	0	0	4 C	1		

Table 2 List of all contexts of the 1990-4 excavations in numerical order (continued)

YR	TR	CON	=CON	=CON	=CON	DESCRIPTION	SPOT DATE	PWW	WW	OM	PM	PH	STR	PLAN	SECT
91	-	254	-	-	-	Chalky rubble-grey silt layer	-	0	0	0	0	4 C	1		
91	-	255	-	-	-	Spit beneath 240	L13/14	5	0	1	0	4 C	1		1.12
91	-	256	-	-	-	Garderobe fill	L13	7	3	0	0	2 A	1	#	
91	-	257	-	-	-	Cut no. for flint pit	-	0	0	0	0	4 C	-		1.12
91	-	258	-	-	-	Soil layer near 132, prob same as 230	-	0	0	0	0	1 A	3		
91	-	259	-	-	-	Firebox arches	-	0	0	0	0	2 B	1		
91	-	260	-	-	-	'Floor' layer of kiln antechamber	-	0	0	0	0	2 B	1		
91	-	261	-	-	-	Silting layer on ditch sides	-	0	0	0	0	1 C	1	#	
91	-	262	-	-	-	Garderobe fill	L12/13	1	0	0	0	2 A	1	#	0.12
91	-	263	-	-	-	Garderobe fill	L12/13	7	3	5	0	2 A	1	#	0.12
91	-	264	-	-	-	Chalk rubble levelling	-	0	0	0	0	2 C	4		
91	-	265	-	-	-	Maternal cut into 264	L13/14	2	2	0	0	4 C	1		
91	-	266	-	-	-	Posthole/pit cut into wall 218	-	0	0	0	0	7	-		
91	-	267	-	-	-	Rubbly chalk beneath 250	L13/14	2	3	1	0	2 B	3	#	
91	-	268	-	-	-	Yellow sandy mortar layer	-	0	0	0	0	4 C	1		
91	-	269	337	-	-	Chalk rubble layer	L12/13	1	0	0	0	2 C	1	#	
91	-	270 a	433	-	-	Stratigraphic division only (compacted chalk levelling)	-	0	0	0	0	5 B	1		
91	-	270 bc	436	-	-	Stratigraphic division only	-	0	0	0	0	2 C	1		
91	-	270	-	-	-	Silty chalk rubble layer	-	0	0	0	0	5 B	3	#	
91	-	271	-	-	-	Fine chalk rubble layer	-	0	0	0	0	4 C	1		
91	-	272	-	-	-	Garderobe fill	E13	51	10	0	0	2 A	1	#	0.12
91	-	273	-	-	-	Cut no. for lime kiln stokepit	-	0	0	0	0	4 C	1		
91	-	274	-	-	-	Kiln fabric furniture	-	0	0	0	0	2 B	1		
91	-	275 $\alpha-\delta$	337	-	-	Stratigraphic division only	-	0	0	0	0	2 C	1	#	
91	-	275 e	442	-	-	Stratigraphic division only	-	0	0	0	0	1 B	1		
91	-	275	-	-	-	Greensand layer under 270	12	2	0	0	0	2 C	1		
91	-	276	-	-	-	Posthole	-	0	0	0	0	1 D	1	#	
91	-	277	-	-	-	Posthole	-	0	0	0	0	1 D	1	#	
91	-	278	-	-	-	Posthole	-	0	0	0	0	1 D	1	#	
91	-	279	-	-	-	Posthole	-	0	0	0	0	1 D	1	#	
91	-	280	-	-	-	Layer lining lime kiln walls	L13/14	2	3	0	0	4 C	1		
91	-	281	-	-	-	Front wall of tile kiln	-	0	0	0	0	2 B	1		
91	-	282	433	-	-	Compacted chalk under 219	-	0	0	0	0	5 B	3		
91	-	283	436	-	-	Soil and chalk layer	-	0	0	0	0	2 C	1		
91	-	284	337	-	-	Greensand layer below 283	-	0	0	0	0	2 C	1		
91	-	285	436	-	-	Coarse flint rubble	-	0	0	0	0	2 C	1		
91	-	286	-	-	-	Powdery chalk rubble below 284	-	0	0	0	0	2 C	1		
91	-	287	-	-	-	Finds only	-	0	0	0	0	-	-		2.11, 2.15
92	-	300	500	-	-	Machining layer	19	15	22	0	88	7	-		
92	-	301	-	-	-	Cleaning layer	-	0	0	0	0	7	-		
92	-	302	-	-	-	Cleaning layer	19	0	0	0	2	7	-		
92	-	303	-	-	-	Cleaning layer	17/18	1	0	1	3	7	-		
92	-	304	-	-	-	Cleaning layer	17/18	3	0	0	0	7	-		
92	-	305	-	-	-	Cleaning layer	L13/14	3	2	0	0	7	-		
92	-	306	-	-	-	Cleaning layer	12/E13	1	0	1	0	7	-		
92	-	307	-	-	-	Cleaning layer	18/19	1	1	0	3	7	-		
92	-	308	-	-	-	Cleaning layer	-	0	0	0	0	7	-		
92	-	309	-	-	-	Cleaning layer	PM	0	0	0	2	7	-		
92	-	310	-	-	-	Cleaning layer	L13/14	0	3	0	0	7	-		
92	-	311	-	-	-	Cleaning layer	L13/14	0	2	0	0	7	-		
92	-	312	-	-	-	Cleaning layer	-	0	0	0	0	7	-		
92	-	313	-	-	-	Cleaning layer	-	0	0	0	0	7	-		
92	-	314	-	-	-	Cleaning layer	L13/14	1	1	0	0	7	-		
92	-	315	-	-	-	Cleaning layer	L13/14	0	1	0	0	7	-		
92	-	316	-	-	-	Cleaning layer	18/19	1	0	0	2	7	-		
92	-	317	-	-	-	Cleaning layer	-	0	0	0	0	7	-		
92	-	318	-	-	-	Cleaning layer	-	0	0	0	0	7	-		
92	-	319	-	-	-	Cleaning layer	16	0	0	0	2	7	-		
92	-	320	-	-	-	Cleaning layer	-	0	0	0	0	7	-		
92	-	321	-	-	-	Cleaning layer	-	0	0	0	0	7	-		
92	-	322	-	-	-	Cleaning layer	16	1	0	0	1	7	-		
92	-	323	-	-	-	Cleaning layer	18/19	0	0	0	2	7	-		
92	-	324	-	-	-	Cleaning layer	18/19	0	0	0	4	7	-		

Table 2 List of all contexts of the 1990-4 excavations in numerical order (continued)

YR	TR	CON	=CON	=CON	=CON	DESCRIPTION	SPOT DATE	PWW	WW	OM	PM	PH	STR	PLAN	SECT
92	-	325	383	-	-	Silty loam layer	13/14	14	1	0	0	4 B	3	#	
92	-	326	-	-	-	Cleaning layer	PM	1	5	0	5	7	-		
92	-	327	-	-	-	Cleaning layer	?	0	0	0	1	7	-		
92	-	328	-	-	-	Cleaning layer	-	0	0	0	0	7	-		
92	-	329	-	-	-	Cleaning layer	19	4	1	0	4	7	-		
92	-	330 /4	-	-	-	Finds collection only	12/13	2	0	0	0	1 A	1		2.15
92	-	330	-	-	-	Natural chalk	-	0	0	0	0	0	1		
92	-	331	-	-	-	Posthole/pit	16?	1	0	1	1	7	-		
92	-	332	325	-	-	Non-feature: part of 325	-	0	0	0	0	4 B	3	#	
92	-	333	325	-	-	Non-feature: part of 325	L13/14	3	39	0	0	4 B	3	#	
92	-	334	230	-	-	Red/brown soil layer	12/13	10	0	0	0	1 A	1		
92	-	335	358	-	-	Buff creamy chalk rubble layer	19	3	1	2	4	5 B	4		
92	-	336	409	-	-	Silty loose chalk rubble layer	M13	10	2	0	0	4 B	3		
92	-	337	269	284	275a-d	Greensand layer	12	4	0	0	0	2 C	1	#	2.14, 2.16
92	-	338	219a	219b	-	Mixed chalk and silt loam layer	L13/14	0	2	0	0	5 B	3	#	2.16
92	-	339	338	-	-	Same as 338	-	0	0	0	1	5 B	3		
92	-	340	-	-	-	Possible posthole	18/19	0	0	0	1	7	-		
92	-	341	-	-	-	Bedding trench	L13/14	1	1	0	0	7	-		
92	-	342	218	-	-	Wall	-	0	0	0	0	5 A	1	#	2.16
92	-	343	-	-	-	Pit/posthole	-	0	0	0	0	7	-		
92	-	344	-	-	-	Part of 342	-	0	0	0	0	5 A	1		
92	-	345	-	-	-	Bedding trench	19	1	2	0	3	7	-		
92	-	346	-	-	-	Cleaning layer	19	2	8	1	1	7	-		
92	-	347	-	-	-	Cleaning layer	19	3	3	1	5	7	-		
92	-	348	-	-	-	Cleaning layer	19	0	3	0	11	7	-		2.11
92	-	349	-	-	-	Chalk rubble layer	L13/14	23	6	0	0	4 B	3		
92	-	350	-	-	-	Silty loam patch	-	0	0	0	0	7	-		
92	-	351	-	-	-	Pit fill	18	2	2	0	1	7	-		
92	-	352	-	-	-	Pit fill	17/18	2	5	1	1	7	-		
92	-	353	-	-	-	Non-feature	17/18	0	0	0	1	-	-		
92	-	354	-	-	-	Cut no. for pit 352	-	0	0	0	0	7	-		
92	-	355	-	-	-	Non-feature	-	0	0	0	0	-	-		
92	-	356	-	-	-	Cut no. for pit 351	-	0	0	0	0	7	-		
92	-	357	-	-	-	Posthole fill	13	1	0	0	0	4 B	3		
92	-	358	335	522?	-	Silty chalk rubble layer	L13/14	0	1	0	0	5 B	3	#	2.13, 2.14
92	-	359	517	-	-	Sloping greensand layer (construction debris)	L13/14	12	11	9	0	5 B	1	#	2.13
92	-	360	-	-	-	Cut no. for posthole 331	-	0	0	0	0	7	-		
92	-	361	-	-	-	Cut no. for pit 357	-	0	0	0	0	4 B	3	#	2.4
92	-	362	-	-	-	Cleaning spit	L13/14	2	1	0	0	7	-		
92	-	363	-	-	-	Tile and chalk rubble layer	-	0	0	0	0	6	-		
92	-	364	-	-	-	Chalk rubble layer	-	0	0	0	0	6	-		
92	-	365	-	-	-	Dark grey/brown layer	18	7	7	34	0	7	-		
92	-	366	-	-	-	Silty chalk rubble layer	L13/14	2	3	0	0	6	-		
92	-	367	-	-	-	Door jamb	-	0	0	0	0	4 A	1		2.11
92	-	368	-	-	-	Silt loam and tile layer	-	0	0	0	0	6	-		
92	-	369	-	-	-	Layer	17-19	0	0	0	1	7	-		
92	-	370	-	-	-	Bedding trench	17/18	5	12	0	15	7	-		
92	-	371	-	-	-	Patch of mortar	-	0	0	0	0	7	-		
92	-	372	-	-	-	Non-feature	-	0	0	0	0	-	-		
92	-	373	-	-	-	Patch of mortar	-	0	0	0	0	7	-		
92	-	374	-	-	-	Non-feature	-	0	0	0	0	-	-		
92	-	375	-	-	-	Pale grey loam layer	18	9	6	0	60	7	-		
92	-	376	-	-	-	Cut no. for 340	-	0	0	0	0	7	-		
92	-	377	-	-	-	Chalk rubble levelling layer	M13	33	1	0	0	4 B	3		
92	-	378	-	-	-	Posthole/pit fill of 380	-	0	0	0	0	4 B	3		2.15
92	-	379	-	-	-	Posthole fill of 381	-	0	0	0	0	4 B	3		2.10, 2.15
92	-	380	-	-	-	Cut no. for 378	-	0	0	0	0	4 B	3	#	
92	-	381	-	-	-	Cut no. for 379	-	0	0	0	0	4 B	3	#	
92	-	382	-	-	-	Chalk flecked silt loam layer	17/18	3	2	0	2	7	-		
92	-	383	518	535	-	Grey silty loam layer	M13	207	16	22	0	4 B	1	#	2.13, 2.14
92	-	384	-	-	-	Orange/brown silty loam layer	L13/14	1	6	1	0	5 B	1		2.13
92	-	385	230	-	-	Continuation of 334	M13	346	6	1	0	1 A	3	#	2.14, 2.16
92	-	386	-	-	-	Pit fill of 400	M13	4	2	0	0	4 B	1		2.10
92	-	387	-	-	-	Silty chalk layer	-	0	0	0	0	5 B	1		

Table 2 List of all contexts of the 1990-4 excavations in numerical order (continued)

YR	TR	CON	=CON	=CON	=CON	DESCRIPTION	SPOT DATE	PWW	WW	OM	PM	PH	STR	PLAN	SECT
92	-	388	-	-	-	Rectangular feature	13	1	0	0	0	7	-		
92	-	389	-	-	-	Silty chalk rubble layer	13	1	0	0	0	6	-		
92	-	390	-	-	-	Rectangular posthole	-	0	0	0	0	7	-		
92	-	391	-	-	-	Shallow posthole	-	0	0	0	0	7	-		
92	-	392	-	-	-	Mortar bowl fragment	-	0	0	0	0	-	-		
92	-	393	-	-	-	Cut no. for 390	-	0	0	0	0	7	-		
92	-	394	-	-	-	Cut no. for 391	-	0	0	0	0	7	-		
92	-	395	-	-	-	Animal disturbance	E13	8	0	0	0	7	-		
92	-	396	-	-	-	Fine stone rubble layer	17/18	1	1	1	5	6	-		
92	-	397	338	-	-	Possibly part of 368	L13/14	6	3	0	0	5 B	3		
92	-	398	-	-	-	Pit fill	L13/14	3	0	0	0	7	-		2.10
92	-	399	955	-	-	Tile and chalk layer	14/15	0	5	0	0	6	-		2.11
92	-	400	-	-	-	Cut no. for 386	-	0	0	0	0	4 B	1		
92	-	401	237	-	-	Wall	-	0	0	0	0	2 A	1	#	
92	-	402	-	-	-	Demolition material	L13/14	66	9	1	0	6	-		
92	-	403	-	-	-	Demolition material	L15/16	2	16	2	1	6	-		
92	-	404	-	-	-	Brown silty loam layer	-	0	0	0	0	6	-		
92	-	405	-	-	-	Rammed chalk surface	-	0	0	0	0	4 B	1	#	
92	-	406	-	-	-	Cut no. for pit 398	-	0	0	0	0	7	-	#	2.16
92	-	407	-	-	-	Silty chalk rubble and tile layer	M-L13	6	3	0	0	6	-		
92	-	408	236	-	-	Partition wall	-	0	0	0	0	5 A	1	#	
92	-	409 /19	-	-	-	Finds collection only	12/13	6	0	0	0	4 B	1	#	
92	-	409	336	-	-	Silty chalk rubble	E13	18	0	0	0	4 B	1	#	2.14
92	-	410	-	-	-	Loose chalk rubble layer	L12/13	13	0	0	0	1 B	1	#	2.14
92	-	411	626	-	-	Brown silty loam	L13/14	5	2	2	0	5 B	1	#	
92	-	412	-	-	-	Silty chalk levelling layer	M-L13	6	5	0	0	4 B	1	#	2.11
92	-	413	-	-	-	Main fill layer of the garderobe	M13	7	1	0	0	5 B	1	#	
92	-	414	-	-	-	Thin silty chalk layer	L13/14	9	9	1	0	5 C	3	#	
92	-	415	-	-	-	Chalk and tile layer	-	0	0	0	0	6	-		2.16
92	-	416	-	-	-	Chalk rubble layer	-	0	0	0	0	1 B	1	#	2.13
92	-	417	-	-	-	Chalky silt layer	M-L13	13	5	0	0	2 C	3	#	2.11
92	-	418	961	-	-	Brown soil layer	M13	5	1	0	0	1 A	1	#	2.11
92	-	419	549?	-	-	Dark chalky soil layer, ?occupation deposit	L12/13	13	0	0	0	1 B	1	#	2.13,2.14
92	-	420	-	-	-	Silty chalk rubble layer	M13	8	1	0	0	1 B	1	#	2.13, 2.15
92	-	421	-	-	-	Cut no. for pit 422	-	0	0	0	0	1 B	1	#	
92	-	422	-	-	-	Fill of pit 421	12	1	0	0	0	1 B	1		2.15
92	-	423	-	-	-	Chalk rubble layer	M-L13	13	10	1	0	1 B	4	#	2.13, 2.14
92	-	424	918	-	-	Wall	-	0	0	0	0	4 A	1	#	2.11
92	-	425	-	-	-	Chalk and mortar surface	-	0	0	0	0	5 C	1	#	
92	-	426	433?	-	-	Fine silty chalk layer	L13/14	0	4	0	0	5 B	1	#	
92	-	427	-	-	-	Silty chalk rubble layer	12/E13	3	0	0	0	1 B	1	#	2.13
92	-	428	-	-	-	Silty chalk layer	12/E13	1	0	0	0	1 B	2	#	2.14
92	-	429	-	-	-	Hearth	-	0	0	0	0	5 C	1	#	
92	-	430	-	-	-	Loose chalk rubble	M13	35	9	0	0	4 B	1	#	
92	-	431	-	-	-	Silty chalk rubble and tile	L13/14	12	28	0	0	6	-		
92	-	432	231	232	-	Brown soil layer	L13/14	7	5	0	0	5 B	1	#	2.16
92	-	433	219c	270a	-	Fine chalk and silt layer, compacted	L13/14	3	2	0	0	5 B	1	#	2.16
92	-	434	-	-	-	Wall of garderobe	-	0	0	0	0	4 A	1		
92	-	435	-	-	-	Wall of garderobe	-	0	0	0	0	4 A	1	#	
92	-	436	219d	270bc	283	Chalk rubble and silt layer	L12/13	4	0	0	0	2 C	1		2.16
92	-	437	-	-	-	Chalk levelling layer	-	0	0	0	0	5 B	1		
92	-	438	-	-	-	Spit	12/E13	2	0	0	0	2 C	1		
92	-	439	-	-	-	Lower layer in garderobe	M-L13	12	3	12	0	4 A	1		
92	-	440	-	-	-	Basal layer in garderobe pit	L13/14	0	1	1	0	4 A	1		
92	-	441	-	-	-	Cut no. for quarry pit	-	0	0	0	0	1 B	1	#	2.14
92	-	442	275e	-	-	Mixed chalk rubble and soil layer in 450	L12/13	11	0	0	0	1 B	1	#	2.16
92	-	443	-	-	-	Soily fine chalk rubble	M13	46	2	0	0	2 A	-		
92	-	444	-	-	-	Silt and chalk levelling	E13	15	0	0	0	2 C	1	#	
92	-	445	-	-	-	Wall	-	0	0	0	0	5 A	1	#	
92	-	446	-	-	-	Silty layer	-	0	0	0	0	7	-		
92	-	447	-	-	-	Wall	-	0	0	0	0	5 A	1	#	
92	-	448	-	-	-	Wall of garderobe	-	0	0	0	0	4 A	1	#	
92	-	449	-	-	-	Wall of garderobe	-	0	0	0	0	4 A	1	#	

Table 2 List of all contexts of the 1990-4 excavations in numerical order (continued)

YR	TR	CON	=CON	=CON	=CON	DESCRIPTION	SPOT DATE	PWW	WW	OM	PM	PH	STR	PLAN	SECT
92	-	450	-	-	-	Cut for western quarry pit	-	0	0	0	0	1 B	1	#	2.16
93	1	500	300	-	-	Machined overburden	19	2	4	4	48	7	-		
93	1	501	-	-	-	Part of overburden layer	19	43	82	14	10	7	-		
93	1	502	-	-	-	Part of levelling deposit	L13/14	3	2	0	0	5 B	3		
93	1	503	-	-	-	As 502 but before identification of 513 etc	19	2	0	0	0	7	-		
93	1	504	-	-	-	Silty chalk layer in NE corner (contaminated)	19	1	2	0	2	7	-		
93	1	505	535	-	-	Initial identification of 515	L13/14 or PM	1	14	4	1	4 B	3		
93	1	506	-	-	-	Silty chalk rubble layer (levelling)	L13/14	2	1	0	0	4 B	3		
93	1	507	-	-	-	Topmost layer of Tudor pit	L13/14	5	3	0	0	6	-		
93	1	508	-	-	-	Chalk rubble spit below 502	-	0	0	0	0	5 B	3		
93	1	509	-	-	-	Chalk rubble and tile layer in Tudor pit	16	7	2	0	1	6	-		
93	1	510	-	-	-	19th century rectangular pit	19	1	0	0	8	7	-		
93	1	511	-	-	-	Cut for 510	-	0	0	0	0	7	-		
93	1	512	-	-	-	Chalk levelling spit layer	-	0	0	0	0	4 B	1	#	
93	1	513	-	-	-	Cut for Tudor pit	-	0	0	0	0	6	-		
93	1	514	-	-	-	Unused	17-19	2	0	0	1	-	-		
93	1	515	-	-	-	Layer of fine silty chalk rubble	L13/14 or PM	11	5	0	2	4 B	3		
93	1	516	-	-	-	Finds from machining of 522, 517, 518, 519	L13/14	24	134	0	9		-		
93	1	517 /23	-	-	-	Finds collection only	L13/14	10	42	0	1	5 B	1		
93	1	517	359	-	-	Greensand layer (construction debris)	-	0	0	0	0	5 B	3		
93	1	518	535	383	-	Brown silty layer (occupation deposit)	M-L13	274	148	45		4 B	1		
93	1	519	-	-	-	Orange sandy lens (same as 523) in 517	-	0	0	0	0	5 B	1		
93	1	520	-	-	-	Cleaning spit of northern end of site = 512	M-L13	3	1	0	0	4 B	1	#	
93	1	521	-	-	-	Chalk rubble layer (levelling)	E13	4	0	0	0	2 C	1		
93	1	522	358?	-	-	Chalk rubble levelling layer	-	0	0	0	0	5 B	1		
93	1	523	-	-	-	Same as 519	-	0	0	0	0	5 B	1		
93	1	524	-	-	-	Basal layer in Tudor pit	E13	4	0	0	0	6	-		
93	1	525	-	-	-	Layer of flinty loam soil (poss related to 518)	E13	6	0	0	0	2 C	-	#	
93	1	526	-	-	-	Same as 553	-	0	0	0	0	0	3		
93	1	527	-	-	-	Same as 538	-	0	0	0	0	1 A	1		
93	1	528	-	-	-	Greensand layer probably equivalent to 536	-	0	0	0	0	2 C	1		
93	1	529	-	-	-	Chalk rubble layer below 528 =554	-	0	0	0	0	2 C	1		
93	1	530	-	-	-	Greensand layer = 566	-	0	0	0	0	2 C	1		
93	1	531	-	-	-	Chalk rubble levelling layer	-	0	0	0	0	4 B	3	#	
93	1	532	-	-	-	Greensand masons' layer	-	0	0	0	0	2 C	1	#	
93	1	533	-	-	-	Layer of compacted chalk rubble	-	0	0	0	0	2 C	1	#	
93	1	534	-	-	-	Dark brown soil layer	M13	34	2	0	0	1 A	2	#	
93	1	535	518	383	-	Occupation soil layer	L13/14	616	304	60		4 B	1		
93	1	536	-	-	-	Greensand layer (construction debris)	E13	4		0	0	2 C	1	#	
93	1	537	-	-	-	Unused	-	0	0	0	0	-	-		
93	1	538	-	-	-	Red/brown chalk-flecked soil layer	12/E13	2	0	0	0	1 A	1	#	
93	1	539	-	-	-	No. for finds (same as 535)	M-L13	48	23	0	8	4 B	1		
93	1	540	-	-	-	Greensand layer (construction debris)	-	0	0	0	0	4 B	1		
93	1	541	-	-	-	Chalk rubble layer	12/E13	2	0	0	0	2 C	1		
93	1	542	-	-	-	Compacted chalk layer	-	0	0	0	0	2 C	1		
93	1	543	-	-	-	=542	-	0	0	0	0	2 C	1		
93	1	544	-	-	-	Pale brown chalk-flecked soil ? = 551	-	0	0	0	0	2 C	1		
93	1	545	-	-	-	Pale grey greensand layer	-	0	0	0	0	4 B	1		
93	1	546	-	-	-	Red/brown soil layer	-	0	0	0	0	1 A	1		
93	1	547	-	-	-	Chalk rubble layer	-	0	0	0	0	4 B	1		
93	1	548	-	-	-	Layer of compacted chalk rubble	-	0	0	0	0	2 C	1		
93	1	549	419?	-	-	Layer of burning	M13	69	7	0	0	2 C	1		
93	1	550	-	-	-	Layer of mixed chalk and greensand levelling	-	0	0	0	0	4 B	1	#	
93	1	551	-	-	-	Silty loam, chalk rubble and greensand layer	-	0	0	0	0	2 C	1	#	
93	1	552	-	-	-	Reddish brown soil layer	M-L13	39	5	0	0	2 C	1	#	
93	1	553	-	-	-	Chalk lump (same as 526): probably natural	-	0	0	0	0	0	3		
93	1	554	-	-	-	Ridge of silty chalk	-	0	0	0	0	2 C	1		
93	1	555	-	-	-	Silty loam and chalk rubble spit	-	0	0	0	0	2 C	1		
93	1	556	-	-	-	Mixed chalk rubble and silt layers	E13	15	0	0	0	2 C	1	#	

Table 2 List of all contexts of the 1990-4 excavations in numerical order (continued)

YR	TR	CON	=CON	=CON	=CON	DESCRIPTION	SPOT DATE	PWW	WW	OM	PM	PH	STR	PLAN	SECT
93	1	557	-	-	-	Silty chalk loam layer	L12/13	4	0	0	0	1 B	1	#	
93	1	558	-	-	-	Possible posthole	L12/13	3	0	0	0	1 D	3		
93	1	559	-	-	-	Possible posthole	M-L13	0	1	0	0	1 D	3		
93	1	560	-	-	-	Possible posthole	M-L13	2	3	0	0	1 D	3		
93	1	561	-	-	-	Mixed chalk rubble and loam layer	-	0	0	0	0	2 C	1	#	
93	1	562	-	-	-	Red/brown soil layer	-	0	0	0	0	1 A	1	#	
93	1	563	-	-	-	Natural chalk	-	0	0	0	0	0	1		
93	1	564	-	-	-	Compacted fine chalk rubble layer	-	0	0	0	0	1 B	1	#	
93	1	565	-	-	-	Brown soil layer	-	0	0	0	0	1 B	1	#	
93	1	566	-	-	-	Greensand masonry layer = 530	-	0	0	0	0	2 C	1		
93	1	567	-	-	-	Red/brown soil layer	-	0	0	0	0	1 A	1		
93	2	600	-	-	-	Machining of post-medieval deposits	17/18	5	6	1	6	7	-		3.12
93	2	601	-	-	-	Patch of post-medieval debris	L13/14	0	2	0	0	7	-		
93	2	602	-	-	-	Re-used greensand blocks: ?Threshold	-	0	0	0	0	4 A	1	#	
93	2	603	-	-	-	Demolition rubble	18/19	1	1	0	1	6	-		
93	2	604	-	-	-	Layer of roof tile (demolition)	-	0	0	0	0	6	-		
93	2	605	-	-	-	Layer of roof tile (=606)	-	0	0	0	0	6	-		
93	2	606	-	-	-	Mixed layer of demolition debris	M-L13	39	40	0	0	6	-		
93	2	607	-	-	-	Same as 601	M13	10	2	2	0	7	-		
93	2	608	-	-	-	North-south wall	-	0	0	0	0	4 A	1	#	
93	2	609	-	-	-	North-south wall (butts to 611)	-	0	0	0	0	5 A	1	#	
93	2	610	-	-	-	North-south wall	E13	2	0	0	0	4 A	1	#	4.10
93	2	611	-	-	-	East-west wall	-	0	0	0	0	4 A	1	#	
93	2	612	-	-	-	North-south wall (butts to 611)	-	0	0	0	0	5 A	1	#	
93	2	613	-	-	-	Sandy mortar layer (floor make-up)	M-L13	40	14	68	0	5 B	1	#	3.12
93	2	614	-	-	-	Rubble layer (=603)	E14/15	0	12	0	0	6	-		
93	2	615	-	-	-	Fill and cut of robber trench	L13/14	2	2	0	0	5 A	1	#	
93	2	616	-	-	-	Demolition debris layer	L13/14	26	8	0	0	5 A	1		
93	2	617	-	-	-	Layer of packed chalk lumps =620	L13/14	0	1	0	0	4 B	1	#	
93	2	618	-	-	-	Tile and stone surface (floor make up)	-	0	0	0	0	4 A	1		
93	2	619	-	-	-	Chalk vault upper surface	-	0	0	0	0	2 A	1		
93	2	620	617	-	-	Layer of packed chalk lumps =617	-	0	0	0	0	4 B	1	#	
93	2	621	-	-	-	Dumped chalk levelling layer	M13	3	1	0	0	4 B	1	#	
93	2	622	-	-	-	Demolition rubble =603	-	0	0	0	0	6	-		
93	2	623	-	-	-	Cut and fill of posthole	-	0	0	0	0	5 A	1		
93	2	624	-	-	-	East-west wall (butts to 611)	-	0	0	0	0	5 A	1	#	3.12
93	2	625	-	-	-	North-south wall (one build with 611)	L13/14	0	1	0	0	4 A	1	#	
93	2	626	411	-	-	Brown sandy loam layer	L13/14	2	5	0	0	5 B	1	#	3.12
93	2	627	-	-	-	Chalky silt layer	M13	4	1	6	0	5 B	1	#	3.12
93	2	628	-	-	-	Cut and fill of posthole	-	0	0	0	0	5 A	1		
93	2	629	-	-	-	Compacted mixed layer:trampled surface	-	0	0	0	0	4 A	1	#	
93	2	630	-	-	-	Cut and fill of posthole	13/14	1	0	0	0	5 A	1		
93	2	631	-	-	-	Compacted chalky soil layer	M-L13	2	2	0	0	4 B	1	#	3.12
93	2	632	-	-	-	North-south wall	-	0	0	0	0	4 A	1	#	
93	2	633	-	-	-	North-south wall : possible stens.	-	0	0	0	0	4 A	1		
93	2	634	-	-	-	?wall, linked to 609	-	0	0	0	0	5 A	1		
93	2	635	-	-	-	Stone, possibly originally part of 634	-	0	0	0	0	5 A	1		
93	2	636	-	-	-	Chalk rubble levelling layer (=621)	E13	19	0	0	0	4 B	1	#	
93	2	637	-	-	-	Possible intrusion or variation in 636	M-L13	1	0	0	0	4 B	3		
93	2	638	-	-	-	Brown/black soil layer (part of 636)	12/13	1	0	0	0	4 B	1		
93	2	639	-	-	-	Finds from initial opening of vault (layer)	-	0	0	0	0	2 A	2		
93	2	640	-	-	-	Removal of 636 immediately below vault	E13	1	0	0	0	4 B	1		
93	2	641	-	-	-	Occupation debris layer	M13	92	3	0	0	2 A	2	#	
93	2	642	-	-	-	Burnt layer	12	21	0	0	0	2 A	1	#	
93	2	643	-	-	-	Layer, may be same as 620	-	0	0	0	0	4 B	1	#	
93	2	644	-	-	-	Layer (possible pre-palace soil)	12	139	2	0	0	1 A	2	#	
93	2	645	-	-	-	Same as 621/636?	-	0	0	0	0	4 B	1	#	3.12
93	2	646	-	-	-	Front wall of vault	-	0	0	0	0	2 A	1		
93	2	647	-	-	-	Foundation for walls 608, 632, 611 etc	-	0	0	0	0	4 A	1	#	

Table 2 List of all contexts of the 1990-4 excavations in numerical order (continued)

YR	TR	CON	=CON	=CON	=CON	DESCRIPTION	SPOT DATE	PWW	WW	OM	PM	PH	STR	PLAN	SECT
94	3	700	-	-	-	Trowelling, general clearance	18/19	7	20	0	38	7	-		4.11
94	3	701	-	-	-	Layer beneath 700 - chalky with loam matrix	17/18	0	3	0	2	7	-		
94	3	702	-	-	-	Modern posthole cut into 701	-	0	0	0	0	7	-		
94	3	703	-	-	-	Modern posthole cutting 701	13/14	0	1	0	0	7	-		
94	3	704	-	-	-	Shallow modern feature cutting 701	-	0	0	0	0	7	-		
94	3	705	-	-	-	Very shallow circular feature cutting 701	19	0	0	0	1	7	-		
94	3	706	-	-	-	Modern feature - soakaway cutting 716	18	0	0	0	1	7	-		
94	3	707	-	-	-	Horizontal tile spread	-	0	0	0	0	7	-		4.11
94	3	708	-	-	-	Chalky strip - compact tile layer	-	0	0	0	0	7	-		4.11
94	3	709	-	-	-	Buff-coloured loamy strip parallel to 708	-	0	0	0	0	7	-		
94	3	710	-	-	-	Circular area of grey soil	-	0	0	0	0	7	-		
94	3	711	-	-	-	Grey/brown oval area, containing 703 and 704	-	0	0	0	0	7	-		
94	3	712	-	-	-	Reddish patch of loamy soil	-	0	0	0	0	7	-		
94	3	713	-	-	-	Blackish red patch of loamy soil	-	0	0	0	0	7	-		
94	3	714	-	-	-	Loamy soil layer	16/E17	0	0	0	2	7	-		
94	3	715	-	-	-	Chalk rubble with vertical tile in north-east corner	L13/14	0	1	0	0	7	-		4.10, 4.11
94	3	716	-	-	-	Reddish brown loamy soil strip with chalk rubble	L13/14	0	0	0	2	7	-		
94	3	717	-	-	-	Mortary chalk consolidated area.	-	0	0	0	0	7	-		
94	3	718	-	-	-	Brown loamy chalk layer containing chalk lumps	16	0	3	1	0	7	-		
94	3	719	-	-	-	Segment of 709	L13/14	4	2	0	0	7	-		
94	3	720	-	-	-	Test trench along south end of trench 3	-	0	0	0	0	7	-		
94	3	721	-	-	-	Test trench along N baulk of trench 3	-	0	0	0	0	7	-		
94	3	722	-	-	-	Spit of chalky rubble in trench 721	17/18	1	0	0	6	7	-		4.10
94	3	723	-	-	-	Spit of chalky soily rubble in trench 720	16/17	0	1	1	1	7	-		4.11
94	3	724	-	-	-	Spit of chalky rubbly soil under 722	19	0	0	0	4	7	-		4.10
94	3	725	-	-	-	Sandy layer in test trench 720	-	0	0	0	0	6	-		4.11, 4.12
94	3	726	-	-	-	Dark brown loamy soil patch within 720, part over 725	E13	2	0	0	0	7	-		
94	3	727	-	-	-	Layer of mid brown sandy loamy soil, with chalk rubble	17/18	0	0	0	2	7	-		4.11
94	3	728	-	-	-	Layer of loamy soil containing chalk rubble and fragments over 721	17-19	0	0	0	2	7	-		4.10, 4.11
94	3	729	-	-	-	Layer of mid-brown sandy loam with chalk rubble in test trench 721	15/16	0	0	0	0	7	-		4.10
94	3	730	-	-	-	Dark brown soily layer under 729	L16/E17	0	0	0	10	7	-		
94	3	731	-	-	-	Layer of chalky rubble below 725, in test trench 721	M13	3	2	0	0	7	-		4.12
94	3	732	-	-	-	Clay loam layer with spread of tile below 725, west of 731, in trench 721	-	0	0	0	0	7	-		
94	3	733	-	-	-	Layer of mid brown loam with chalk rubble in north-east corner of trench	L13/14	0	3	0	0	7	-		4.11
94	3	734	-	-	-	Layer of compact chalk below 733 between wall and north-east corner of trench	-	0	0	0	0	2 C	3		
94	3	735	-	-	-	Central area of layer of chalk rubble in sandy matrix	L13/14	0	1	0	0	7	-		4.12
94	3	736	-	-	-	Wall running east-west, parallel to north baulk	-	0	0	0	0	2 A	1	#	4.12
94	3	737	-	-	-	Tile layer lying under 725	-	0	0	0	0	6	-		4.10, 4.11
94	3	738	-	-	-	Sandy loam layer beneath 737	L13/14	1	2	0	0	4 B	2		4.11
94	3	739	-	-	-	Accumulation of dipping tile with mid brown soily matrix, and to 740	E13	2	0	0	0	6	-		
94	3	740	-	-	-	Dense chalk rubble layer, poss. vault roof? wall?	-	0	0	0	0	2 A	1	#	
94	3	741	-	-	-	Compacted chalk layer within brown soil matrix, parallel to	-	0	0	0	0	6	-		
94	3	742	-	-	-	Compacted chalk and tile layer beneath 738	-	0	0	0	0	4 B	1		4.11
94	3	743	-	-	-	Compact chalk layer beneath 742	-	0	0	0	0	2 C	3		4.11
94	3	744	-	-	-	Posthole cutting 743 ? scaffolding hole	-	0	0	0	0	4 B	1		
94	3	745	-	-	-	Grey/brown mortary loam	-	0	0	0	0	4 B	1		4.11
94	3	746	-	-	-	Area of large chalk rubble pieces within a loose sandy mortary matrix	-	0	0	0	0	2 A	1	#	4.12
94	3	747	-	-	-	Layer of chalk rubble between 610 and E baulk	-	0	0	0	0	7	-		4.11
94	3	748	-	-	-	Layer of mixed mid-brown loam with occasional chalk rubble	-	0	0	0	0	7	-		
94	3	748	-	-	-	- West of 610 & over 739	-	0	0	0	0	7	-		

Table 2 List of all contexts of the 1990-4 excavations in numerical order (continued)

YR	TR	CON	=CON	=CON	=CON	DESCRIPTION	SPOT DATE	PWW	WW	OM	PM	PH	STR	PLAN	SECT
94	3	749	-	-	-	Layer of compacted chalk below 739	E13	3	0	0	0	2 A	1	#	
94	3	750	-	-	-	Pocket of grey chalky loam below 739 and above 749	E13	19	0	0	0	6	-		
94	4	800	-	-	-	Trowel clearance and machine clearance	19	0	0	0	0	7	-		4.14
94	4	801	-	-	-	Demolition layer	-	0	0	0	0	6	-		4.14
94	4	802	808	-	-	Mixed chalky soil and construction debris	L13/14	3	13	2	0	5 B	1	#	4.14
94	4	803	-	-	-	Brown/yellow soil layer, W side of ditch	12/E13	1	0	0	0	1 C	1	#	
94	4	804	-	-	-	Yellow/brown sandy chalk, below 802	12/E13	4	0	0	0	5 B	1	#	4.14
94	4	805	-	-	-	Soil layer - remnants of topsoil	12/E13	1	0	0	0	7	-		
94	4	806	-	-	-	Mixed soil of chalk deposits above 801, below 805	-	0	0	0	0	7	-		
94	4	807	-	-	-	Wall	-	0	0	0	0	2 A	1	#	4.15
94	4	808	802	-	-	Mixed chalky soil and construction debris	-	0	0	0	0	5 B	1	#	
94	4	809	-	-	-	Rammed or trampled chalk and greensand	L13/14	2	26	0	0	5 B	1	#	
94	4	810	-	-	-	Chalk rubble with slightly pinkish colour matrix	M13	30	17	0	0	5 B	1	#	
94	4	811	-	-	-	Chalk rubble wall or buttress	-	0	0	0	0	2 A	1	#	
94	4	812	-	-	-	Mix of soil and rubble	-	0	0	0	0	2 C	1	#	
94	4	813	-	-	-	Clean white chalk - compressed	-	0	0	0	0	2 C	1	#	
94	4	814	-	-	-	Chalk rubble fill of ditch	-	0	0	0	0	1 C	3	#	
94	4	815	-	-	-	Grey/brown soil with clay patches, probably over 814	16	9	51	3	6	6	-		
94	4	816	-	-	-	Cut for ditch	-	0	0	0	0	1 C	1	#	
94	4	817	-	-	-	Soily layer, much bone, below 810	L13/14	47	204	8	0	5 B	1	#	
94	4	818	-	-	-	Cut and fill of posthole: ? scaffolding hole	-	0	0	0	0	4 B	1	#	
94	4	819	-	-	-	Layer including mason's debris	12/E13	3	0	0	0	2 C	1	#	
94	4	820	-	-	-	Layer including mason's debris	M13	12	13	0	0	4 B	1	#	4.15
94	4	821	-	-	-	Layer, ditch fill or levelling	M13	12	1	0	0	2 C	3		
94	4	822	-	-	-	Deep spit removed along west edge of bailey ditch	M13	7	1	0	0	1 C	3	#	
94	4	823	-	-	-	Dark soily layer below 822	-	0	0	0	0	1 C	1	#	4.15
94	4	824	-	-	-	Construction deposit associated with 807	-	0	0	0	0	2 A	1		4.14
94	5	900	-	-	-	Trowelling clearance	19	10	310	8	32	7	-		
94	5	901	-	-	-	Backfill/trench 94	-	0	0	0	0	7	-		
94	5	902	-	-	-	Area of 5-sided trench	19	2	15	1	45	7	-		
94	5	903	-	-	-	Area (near wall) of 5-sided trench	19	1	0	0	14	7	-		
94	5	904	-	-	-	Feature - possibly a pit	17/18	3	4	2	6	7	-		
94	5	905	-	-	-	Feature - pit, post-med.	17-19	0	0	0	1	7	-		
94	5	906	-	-	-	Feature - pit, post-med.	L13-15	0	1	0	0	7	-		
94	5	907	-	-	-	Area of west side trench	-	0	0	0	0	7	-		
94	5	908	-	-	-	Excavated SE corner 93	-	0	0	0	0	7	-		
94	5	909	-	-	-	Posthole W side, packed with flints	-	0	0	0	0	7	-		
94	5	910	-	-	-	Medieval demolition rubble	18	13	52	13	4	7	-		
94	5	911	-	-	-	Dark, most probably post-med on W side of trench wall	17/18	2	6	3	6	7	-		
94	5	912	-	-	-	Possible backfilled pit, prob. post-med	L13/14 or PM	2	25	1	2	7	-		
94	5	913	-	-	-	Medium brown sandy silt, chalk rubble and tile, E side of wall	L13/14	1	1	4	0	5 B	1	#	
94	5	914	-	-	-	Wall running N-S (butts to 923)	-	0	0	0	0	5 A	1	#	
94	5	915	-	-	-	Medium brown with chalk rubble and tile	-	0	0	0	0	6	-		
94	5	916	-	-	-	Dense layer of tile and occasional chalk rubble	L13/14	3	16	3	0	6	-		
94	5	917	-	-	-	Sandy mortar and chalk with occasional tile	L13/14	0	0	1	0	6	-		
94	5	918	424	367	-	Wall running north-south parallel to edge of trench	-	0	0	0	0	4 A	1	#	4.2
94	5	919	-	-	-	Wall abutting 918, running E-W	-	0	0	0	0	5 A	1	#	
94	5	920	-	-	-	Mortary chalk layer, between wall 918 and W edge of trench	L15/16	7	16	47	1	7	-		
94	5	921	-	-	-	Wall running east-west preceding wall 918	-	0	0	0	0	3	1	#	
94	5	922	-	-	-	Layer of mortary chalk	L13/14	0	27	1	0	5 B	1	#	4.2
94	5	923	-	-	-	Wall	-	0	0	0	0	3	1	#	
94	5	924	-	-	-	Lower level of 912	18	1	0	1	19	7	-		
94	5	925	-	-	-	Medium brown sandy clay, east side of 914	L13/14	4	14	12	0	5 B	1	#	
94	5	926	-	-	-	Layer of tile, N of wall 919	M13	33	10	4	0	6	-		
94	5	927	-	-	-	Dark medium brown sandy soil, under 916, to S side of wall 919	L13/14	3	15	3	0	5 B	1	#	

Table 2 List of all contexts of the 1990-4 excavations in numerical order (continued)

YR	TR	CON	=CON	=CON	=CON	DESCRIPTION	SPOT DATE	PWW	WW	OM	PM	PH	STR	PLAN	SECT
94	5	928	-	-	-	Medium brown sandy clay, under 916, between walls 914	M13	36	81	4	0	5 B	1	#	
94	5	929	-	-	-	Dark grey/brown sandy clay, to south of wall 931, to south side of trench	17/18	0	2	0	7	7	-		4.1
94	5	930	-	-	-	Light brown sandy clay, to east of possible wall 932	L13/14	0	26	2	0	5 B	1	#	
94	5	931	109	-	-	Wall running E-W in SW corner of trench	-	0	0	0	0	3	1	#	4.1
94	5	932	-	-	-	Possible pathway of chalk rubble	-	0	0	0	0	5 C	1	#	
94	5	933	-	-	-	Context not used	-	0	0	0	0	-	-	#	
94	5	934	-	-	-	Light brown sandy clay with tile rubble, beneath 929	L13/14	0	1	0	0	5 B	1	#	
94	5	935	-	-	-	Layer of chalk dumping	17/18	0	0	0	3	6	-		4.1
94	5	936	-	-	-	Layer of chalk dumping to east of the wall 918	-	0	0	0	0	5 B	1	#	
94	5	937	-	-	-	Layer of chalk dumping to east of wall 914	-	0	0	0	0	5 B	1	#	
94	5	938	-	-	-	Layer of medium brown sandy loam, under ...	14/15	1	3	1	0	6	-		4.1
94	5	939	-	-	-	Compacted chalk layer beneath 936	-	0	0	0	0	4 B	1	#	
94	5	940	-	-	-	Burnt patch, charcoal and tile, east of wall 918	-	0	0	0	0	5 B	1	#	
94	5	941	-	-	-	Compacted chalk rubble with chalk blocks	-	0	0	0	0	5 B	1	#	
94	5	942	-	-	-	Medium brown sandy loam with tile	-	0	0	0	0	5 B	1	#	
94	5	943	-	-	-	Medium brown sandy clay with tile to west of wall 918	-	0	0	0	0	6	-		
94	5	944	-	-	-	Compacted layer of flints and possible mortar, possible partition wall	-	0	0	0	0	6	-		
94	5	945	-	-	-	Medium brown sandy loam with chalk rubble	-	0	0	0	0	6	-		
94	5	946	-	-	-	Medium brown sandy clay with much mortar and chalk rubble	-	0	0	0	0	6	-		
94	5	947	-	-	-	Dark black/brown layer revealed on south side of lime kiln	L13/14	1	282	1	0	5 B	1	#	4.8
94	5	948	-	-	-	Clay, compressed chalk, variation in banding	L13/14	2	1	0	0	4 C	1		
94	5	949	-	-	-	Finer - less chalk	-	0	0	0	0	4 C	1		
94	5	950	-	-	-	Coarse loose small fragments	-	0	0	0	0	4 C	1		
94	5	951	-	-	-	Pink/white compacted chalk powder	L13/14	0	1	0	0	4 C	1		
94	5	952	-	-	-	Coarse loose chalk, some greensand	L13/14	2	2	0	0	4 C	1		
94	5	953	-	-	-	Dark brown sandy clay	M13	12	1	0	0	1 A	2	#	4.2
94	5	954	-	-	-	Light grey chalky sand loam with flints	-	0	0	0	0	5 B	1		4.2
94	5	955	399	-	-	Light brown /yellow sandy loam with tile	-	0	0	0	0	6	-		4.2
94	5	956	-	-	-	Dark brown sandy clay	12	14	0	0	0	1 A	2	#	4.2
94	5	957	-	-	-	Light grey chalky sandy loam with flint	-	0	0	0	0	3	-		4.2
94	5	958	-	-	-	Dense compacted chalk and mortar layer	-	0	0	0	0	4 A	1		4.2
94	5	959	-	-	-	Mortar and soil, debris from construction of 918	-	0	0	0	0	4 A	2		4.2
94	5	960	-	-	-	Dense white chalk	-	0	0	0	0	5 B	1	#	4.2
94	5	961	418	-	-	Light brown sandy clay	-	0	0	0	0	1 A	2	#	4.2
94	5	962	138?	143?	-	Light brown sandy clay under 938	12/E13	3	0	0	0	6	-		4.1
94	5	963	-	-	-	Cleaning layer under 947	M13	4	10	0	1	4 C	1		
94	5	964	151	-	-	Chalk compacted under 962	-	0	0	0	0	3	-		4.1
94	5	965	-	-	-	Mortary light yellow+H595 brown, under 964 (corner)	12/E13	1	0	0	0	3	-		
94	5	966	151?	-	-	More chalk rubble under 965 (corner)	-	0	0	0	0	3	-		4.1
94	5	967	-	-	-	Lumpy compacted chalk under 922 (middle)	M-L13	1	3	0	0	5 B	1	#	
94	5	968	-	-	-	Smooth compacted chalk, under 967 (middle)	L13/14	9	11	2	0	5 B	1	#	
94	5	969	-	-	-	Bottom layer of lime kiln	12/E13	1	0	0	0	4 C	1		
94	5	970	-	-	-	Layer in entrance way	-	0	0	0	0	6	-		
94	5	971	-	-	-	Light brown/grey sandy loam under 963 (lime kiln)	12/E13	1	0	0	0	4 C	1		
94	5	972	-	-	-	Layer of chalk blocks	M13	2	1	0	0	6	-		
94	5	973	-	-	-	Flue bottom in flue hole (found when cleaning section)	-	0	0	0	0	4 C	1		
94	5	974	-	-	-	Mortared surface in entrance	-	0	0	0	0	3	1		
94	5	975	-	-	-	East side door jamb of entrance way	-	0	0	0	0	3	1		
94	5	976	-	-	-	West side door jamb of entrance way	-	0	0	0	0	3	1		
94	5	977	-	-	-	Step down into entrance way	-	0	0	0	0	3	1		
94	5	978	-	-	-	Layer of mortary soil, down keyhole trench in SE corner	M-L13	1	1	0	0	3	-		4.1
94	5	979	-	-	-	More compacted chalk rubble under 978	-	0	0	0	0	2 C	1		4.1

Table 2 List of all contexts of the 1990-4 excavations in numerical order (continued)

YR	TR	CON	=CON	=CON	=CON	DESCRIPTION	SPOT DATE	PWW	WW	OM	PM	PH	STR	PLAN	SECT
94	5	980	-	-	-	Layer of chalk rubble in south-facing section through lime kiln	-	0	0	0	0	4 C	1		
94	5	981	-	-	-	Light brown sandy clay and mortar	-	0	0	0	0	4 C	1		
94	5	982	-	-	-	Light brown sandy clay in south-facing section in lime kiln	-	0	0	0	0	4 C	1		
94	5	983	-	-	-	Layer of crushed compacted chalk in east-facing section through lime kiln	-	0	0	0	0	6	-		
94	5	984	-	-	-	Dark brown sandy clay with some small frags. of chalk	-	0	0	0	0	5 B	1		
94	5	985	-	-	-	Layer of large rubble, some tile and soil matrix	-	0	0	0	0	4 C	1		4.8
94	5	986	-	-	-	Layer of yellow/brown sand	-	0	0	0	0	4 C	1		4.8
94	5	987	-	-	-	Small stones in dense sandy soil matrix	-	0	0	0	0	4 C	1		4.8
94	5	988	-	-	-	Loose, small rubble, tile and mortar. Little soil	-	0	0	0	0	4 C	1		4.8
94	5	989	-	-	-	Dense chalky soil layer	-	0	0	0	0	4 C	1		4.8
94	5	990	-	-	-	Small loose chalk lumps, some tile fragments, little soil	-	0	0	0	0	4 C	1		4.8
94	5	991	-	-	-	Large loose chalks lumps	-	0	0	0	0	4 C	1		4.8
94	5	992	-	-	-	Dense chalky soil layer	-	0	0	0	0	4 C	1		4.8
94	5	993	-	-	-	Layer of brown clay in S-facing section through lime kiln	-	0	0	0	0	4 C	1		
94	5	994	-	-	-	Compacted chalk, probable floor level	-	0	0	0	0	3	-	#	
94	5	995	-	-	-	Wall of lime kiln	-	0	0	0	0	4 C			
94	5	996	-	-	-	Flue structure of lime kiln	-	0	0	0	0	4 C			
								4000	3084	515	970				

Table 3 List of all phase 1A contexts of the 1990–4 excavations

CONTEXT	DESCRIPTION	SPOT DATE	Pre-Whitewares	Whitewares	Other medieval	Post-medieval	STR	PLAN	SECTION
110 bc	Stratigraphic division only	–	0	0	0	0	1		0.12
124	Red/brown soil	L13/14	116	9	1	0	3		0.12
142	Pot in layer 124	L13/14	23	0	0	0	1		
154	Probably same as 124	L13/14	18	11	0	0	4		0.12
230	Red/brown soil	L12/13	23	0	0	0	1		1.6
241	Same as 230	L13/14	1	1	0	0	4		
258	Soil layer near 132, prob same as 230	–	0	0	0	0	3		
330 /4	Finds collection only	12/13	2	0	0	0	1		2.15
334	Red/brown soil	12/13	10	0	0	0	1		
385	Continuation of 334	M13	346	6	1	0	3	#	2.14, 2.16
418	Brown soil layer	M13	5	1	0	0	1	#	2.11
527	Same as 538	–	0	0	0	0	1		
534	Dark brown soil layer	M13	34	2	0	0	2	#	
538	Red/brown chalk-flecked soil layer	12/E13	2	0	0	0	1	#	
546	Red/brown soil	–	0	0	0	0	1		
562	Red/brown soil	–	0	0	0	0	1	#	
567	Red/brown soil	–	0	0	0	0	1		
644	Red/brown soil	12	139	2	0	0	2	#	
953	Dark brown sandy clay	M13	12	1	0	0	2	#	4.2
956	Dark brown sandy clay	12	14	0	0	0	2	#	4.2
961	Light brown sandy clay	–	0	0	0	0	2	#	4.2

Table 4 List of all phase 1B contexts of the 1990–4 excavations

CONTEXT	DESCRIPTION	SPOT DATE	Pre-Whitewares	Whitewares	Other medieval	Post-medieval	STR	PLAN	SECTION
118	Natural chalk	-	0	0	0	0	1		
330	Natural chalk		0	0	0	0	1		
526	Same as 553	-	0	0	0	0	3		
553	Chalk lump (same as 526): probably natural	-	0	0	0	0	3		
563	Natural chalk	-	0	0	0	0	1		
275 e	Stratigraphic division only	-	0	0	0	0	1		
410	Loose chalk rubble layer	L12/13	13	0	0	0	1	#	2.14
416	Chalk rubble layer	-	0	0	0	0	1	#	2.13
419	Dark chalky soil layer, ?occupation deposit	L12/13	13	0	0	0	1	#	2.13,2.14
420	Silty chalk rubble layer	M13	8	1	0	0	1	#	2.13, 2.15
421	Cut no. for pit 422	-	0	0	0	0	1	#	
422	Fill of pit 421	12	1	0	0	0	1		2.15
423	Chalk rubble layer	M–L13	13	10	1	0	4	#	2.13, 2.14
427	Silty chalk rubble layer	12/E13	3	0	0	0	1	#	2.13
428	Silty chalk layer	12/E13	1	0	0	0	2	#	2.14
441	Cut no. for quarry pit	-	0	0	0	0	1	#	2.14
442	Mixed chalk rubble and soil layer in 450	L12/13	11	0	0	0	1	#	2.16
450	Cut for western quarry pit	-	0	0	0	0	1	#	2.16
557	Silty chalk loam layer	L12/13	4	0	0	0	1	#	
564	Compacted fine chalk rubble layer	-	0	0	0	0	1	#	
565	Brown soil layer	-	0	0	0	0	1	#	

Table 5 List of all phase 1C contexts of the 1990–4 excavations

CONTEXT	DESCRIPTION	SPOT DATE	Pre-Whitewares	Whitewares	Other medieval	Post-medieval	STR	PLAN	SECTION
113 B	Stratigraphic division only	12	3	0	0	0	–	#	1.11
113 C	Stratigraphic division only	12	2	0	0	0	1	#	1.11
113	Bailey ditch and fill	12	28	0	1	0	3		
128	Cut for 113	–	0	0	0	0	1	#	
208	Outer bailey ditch cut number	–	0	0	0	0	1	#	1.8
212	Ditch spit	L13/14 or PM	2	1	0	1	4	#	1.8
227	Lower level of outer bailey ditch	L12/13	3	0	0	0	1	#	1.8
261	Silting layer on ditch sides	–	0	0	0	0	1	#	
803	Brown/yellow soil layer, W side of ditch	12/E13	1	0	0	0	1	#	
814	Chalk rubble fill of ditch	–	0	0	0	0	3	#	
816	Cut for ditch	–	0	0	0	0	1	#	
822	Deep spit removed along W edge of bailey ditch	M13	7	1	0	0	3	#	
823	Dark soily layer below 822	–	0	0	0	0	1	#	4.15

Table 6 List of all phase 1D contexts of the 1990–4 excavations

CONTEXT	DESCRIPTION	SPOT DATE	Pre-Whitewares	Whitewares	Other medieval	Post-medieval	STR	PLAN	SECTION
118	Natural chalk	–	0	0	0	0	1		
330	Natural chalk	–	0	0	0	0	1		
526	Same as 553	–	0	0	0	0	3		
553	Chalk lump (same as 526): probably natural	–	0	0	0	0	3		
563	Natural chalk	–	0	0	0	0	1		
156	Pit + fill	L12+	5	0	1	0	1	#	0.8
157	Slot + fill	12	3	0	0	0	1	#	
276	Posthole	–	0	0	0	0	1	#	
277	Posthole	–	0	0	0	0	1	#	
278	Posthole	–	0	0	0	0	1	#	
279	Posthole	–	0	0	0	0	1	#	
558	Possible posthole	L12/13	3	0	0	0	3		
559	Possible posthole	M–L13	0	1	0	0	3		
560	Possible posthole	M–L13	2	3	0	0	3		

Table 7 List of all phase 2A contexts of the 1990–4 excavations

CONTEXT	DESCRIPTION	SPOT DATE	Pre-Whitewares	Whitewares	Other medieval	Post-medieval	STR	PLAN	SECTION
126	Loose rubble fill of 132	L13/14	2	2	0	0	1	#	0.12
132	Cut for garderobe pit	–	0	0	0	0	1	#	0.12
237	Large wall running east–west	–	0	0	0	0	1	#	
256	Garderobe fill	L13	7	3	0	0	1	#	
262	Garderobe fill	L12/13	1	0	0	0	1	#	0.12
263	Garderobe fill	L12/13	7	3	5	0	1	#	0.12
272	Garderobe fill	E13	51	10	0	0	1	#	0.12
401	Wall	–	0	0	0	0	1	#	
443	Soily fine chalk rubble	M13	46	2	0	0	-		
619	Chalk vault upper surface	–	0	0	0	0	1		
639	Finds from initial opening of vault (layer)	–	0	0	0	0	2		
641	Occupation debris layer	M13	92	3	0	0	2	#	
642	Burnt layer	12	21	0	0	0	1	#	
646	Front wall of vault	–	0	0	0	0	1		
736	Wall running E–W, parallel to N baulk	–	0	0	0	0	1	#	4.12
740	Dense chalk rubble layer, poss. vault roof? wall?	–	0	0	0	0	1	#	
746	Area of large chalk rubble pieces within a loose sandy mortar matrix	–	0	0	0	0	1	#	4.12
749	Layer of compacted chalk below 739	E13	3	0	0	0	1	#	
807	Wall	–	0	0	0	0	1	#	4.15
811	Chalk rubble wall or buttress	–	0	0	0	0	1	#	
824	Construction deposit associated with 807	–	0	0	0	0	1		4.14

Table 8 List of all phase 2B contexts of the 1990–4 excavations

CONTEXT	DESCRIPTION	SPOT DATE	Pre-Whitewares	Whitewares	Other medieval	Post-medieval	STR	PLAN	SECTION
140	Dumped small chalk rubble	L12/13	8	0	0	0	1		
141	Chalk and silty clay layer	L12/13	3	0	0	0	1		0.12
144	Part of stokehole fill	–	0	0	0	0	3		
158	Chalk and silty clay layer	–	0	0	0	0	1		
159	Wall	–	0	0	0	0	1	#	
160	Wall	–	0	0	0	0	1		
210	Chalk and silty clay layer	L13/14	1	0	0	0	3	#	
224	Clay and tile lining of tile kiln	–	0	0	0	0	1		
225	Collapse of internal kiln structure	–	0	0	0	0	1		
226	Collapse/dumping in stokepit area	L12/13	3	1	0	0	2	#	
239	Front of kiln structure	–	0	0	0	0	1		
242	Thin crusty layer forming floor of kiln	L12/13	4	0	0	0	1	#	
243	Charcoal layer below 242	–	0	0	0	0	1	#	
250	Pinky-cream layer under 243	L12/13	1	0	0	0	2	#	
259	Firebox arches	–	0	0	0	0	1		
260	'Floor' layer of kiln antechamber	–	0	0	0	0	1		
267	Rubby chalk beneath 250	L13/14	2	3	1	0	3	#	
274	Kiln fabric furniture	–	0	0	0	0	1		
281	Front wall of tile kiln	–	0	0	0	0	1		

Table 9 List of all phase 2C contexts of the 1990–4 excavations

CONTEXT	DESCRIPTION	SPOT DATE	Pre-Whitewares	Whitewares	Other medieval	Post-medieval	STR	PLAN	SECTION
219 d	Stratigraphic division only	–	0	0	0	0	1		1.6
264	Chalk rubble levelling	–	0	0	0	0	4		
269	Chalk rubble layer	L12/13	1	0	0	0	1	#	
270 bc	Stratigraphic division only	–	0	0	0	0	1		
275 a-d	Stratigraphic division only	–	0	0	0	0	1	#	
275	Greensand layer under 270	12	2	0	0	0	1		
283	Soil and chalk layer	–	0	0	0	0	1		
284	Greensand layer below 283	–	0	0	0	0	1		
285	Coarse flint rubble	–	0	0	0	0	1		
286	Powdery chalk rubble below 284	–	0	0	0	0	1		
337	Greensand layer	12	4	0	0	0	1	#	2.14, 2.16
417	Chalky silt layer	M–L13	13	5	0	0	3	#	2.11
436	Chalk rubble and silt layer	L12/13	4	0	0	0	1		2.16
438	Spit	12/E13	2	0	0	0	1		
444	Silt and chalk levelling	E13	15	0	0	0	1	#	
521	Chalk rubble layer (levelling)	E13	4	0	0	0	1		
525	Layer of flinty loam soil (possibly related to 518)	E13	6	0	0	0	–	#	
528	Greensand layer probably equivalent to 536	–	0	0	0	0	1		
529	Chalk rubble layer below 528 =554	–	0	0	0	0	1		
530	Greensand layer = 566	–	0	0	0	0	1		
532	Greensand mason's layer	–	0	0	0	0	1	#	
533	Layer of compacted chalk rubble	–	0	0	0	0	1	#	
536	Greensand layer (construction debris)	E13	4	0	0	0	1	#	
541	Chalk rubble layer	12/E13	2	0	0	0	1		
542	Compacted chalk layer	–	0	0	0	0	1		
543	=542	–	0	0	0	0	1		
544	Pale brown chalk-flecked soil ? = 551	–	0	0	0	0	1		
548	Layer of compacted chalk rubble	–	0	0	0	0	1		
549	Layer of burning	M13	69	7	0	0	1		
551	Silty loam, chalk rubble and Greensand layer	–	0	0	0	0	1	#	
552	Reddish brown soil layer	M–L13	39	5	0	0	1	#	
554	Ridge of silty chalk	–	0	0	0	0	1		
555	Silty loam and chalk rubble spit	–	0	0	0	0	1		
556	Mixed chalk rubble and silt layers	E13	15	0	0	0	1	#	
561	Mixed chalk rubble and loam layer	–	0	0	0	0	1	#	
566	Greensand masonry layer = 530	–	0	0	0	0	1		
734	Layer of compact chalk below 733 between wall and NE corner of trench	–	0	0	0	0	3		
743	Compact chalk layer beneath 742	–	0	0	0	0	3		4.11
812	Mix of soil and rubble	–	0	0	0	0	1	#	
813	Clean white chalk – compressed	–	0	0	0	0	1	#	
819	Layer including mason's debris	12/E13	3	0	0	0	1	#	
821	Layer, ditch fill or levelling	M13	12	1	0	0	3		
979	More compacted chalk rubble under 978	–	0	0	0	0	1		4.1

Table 10 List of all phase 3 contexts of the 1990–4 excavations

CONTEXT	DESCRIPTION	SPOT/DATE	Pre-Whitewares	Whitewares	Other medieval	Post-medieval	STR	PLAN	SECTION
109	Wall	–	0	0	0	0	1		
125	Terracing	–	0	0	0	0	1		
145	Mortar and roof tile layer (construction deposit)	L13/14	3	2	0	1	2		1.11
146	Small chalk rubble layer	–	0	0	0	0	2		
147	Silty layer	L12+	2	0	0	0	2		
148	Offset to 109	–	0	0	0	0	1		
149	Construction deposit	L12+	1	0	0	0	2		1.11
151	Compacted chalk rubble layer	–	0	0	0	0	2		1.11
152	Layer of silty chalk	–	0	0	0	0	2		1.11
161	Silty layer	–	0	0	0	0	2		1.11
162	Silty clay layer	–	0	0	0	0	2		1.11
921	Wall running east–west preceding wall 918	–	0	0	0	0	1	#	
923	Wall	–	0	0	0	0	1	#	
931	Wall running east–west in south-west corner of trench	–	0	0	0	0	1	#	4.1
957	Light grey chalky sandy loam with flint	–	0	0	0	0	–		4.2
964	Chalk compacted under 962	–	0	0	0	0	–		4.1
965	Mortary light yellow/brown, under 964 (corner)	12/E13	1	0	0	0	–		
966	More chalk rubble under 965 (corner)	–	0	0	0	0	–		4.1
974	Mortared surface in entrance	–	0	0	0	0	1		
975	E side door jamb of entrance way	–	0	0	0	0	1		
976	W side door jamb of entrance way	–	0	0	0	0	1		
977	Step down into entrance way	–	0	0	0	0	1		
978	Layer of mortary soil, down keyhole trench in south-east corner	M–L13	1	1	0	0	–		4.1
994	Compacted chalk, probable floor level	–	0	0	0	0	–	#	

Table 11 List of all phase 4A contexts of the 1990–4 excavations

CONTEXT	DESCRIPTION	SPOT/DATE	Pre-Whitewares	Whitewares	Other medieval	Post-medieval	STR	PLAN	SECTION
367	Door jamb	–	0	0	0	0	1		2.11
424	Wall	–	0	0	0	0	1	#	2.11
434	Wall of garderobe	–	0	0	0	0	1		
435	Wall of garderobe	–	0	0	0	0	1	#	
439	Lower layer in garderobe	M–L13	12	3	12	0	1		
440	Basal layer in garderobe pit	L13/14	0	1	1	0	1		
448	Wall of garderobe	–	0	0	0	0	1	#	
449	Wall of garderobe	–	0	0	0	0	1	#	
602	Re-used greensand blocks: ? Threshold	–	0	0	0	0	1	#	
608	North–south wall	–	0	0	0	0	1	#	
610	North–south wall	E13	2	0	0	0	1	#	4.10
611	East–west wall	–	0	0	0	0	1	#	
618	Tile and stone surface (floor make up)	–	0	0	0	0	1		
625	North–south wall (one build with 611)	L13/14	0	1	0	0	1	#	
629	Compacted mixed layer: trampled surface	–	0	0	0	0	1	#	
632	North–south wall	–	0	0	0	0	1	#	
633	North–south wall: possible steps	–	0	0	0	0	1		
647	Foundation for walls 608, 632, 611 etc	–	0	0	0	0	1	#	
918	Wall running north–south parallel to edge of trench	–	0	0	0	0	1	#	4.2
958	Dense compacted chalk and mortar layer	–	0	0	0	0	1		4.2
959	Mortar and soil, debris from construction of 918	–	0	0	0	0	2		4.2

Table 12 List of all phase 4B contexts of the 1990–4 excavations

CONTEXT	DESCRIPTION	SPOT DATE	Pre-Whitewares	Whitewares	Other medieval	Post-medieval	STR	PLAN	SECTION
106	Fill of subsidence in 132	L13/14	4	1	0	0	2		0.12
110 a	Stratigraphic division only	–	0	0	0	0	1		0.12
119	Layer, possible occupation deposit	L13	17	3	0	0	1		
133	Loose rubble fill of 132	L13/14	4	3	1	0	1		0.12
153	Fill of subsidence in 132	L13/14	6	0	0	0	1		0.12
325	Silty loam layer	13/14	14	1	0	0	3	#	
332	Non-feature: part of 325	–	0	0	0	0	3	#	
333	Non-feature: part of 325	L13/14	3	39	0	0	3	#	
336	Silty loose chalk rubble layer	M13	10	2	0	0	3		
349	Chalk rubble layer	L13/14	23	6	0	0	3		
357	Posthole fill	13	1	0	0	0	3		
361	Cut no. for pit 357	–	0	0	0	0	3	#	2.4
377	Chalk rubble levelling layer	M13	33	1	0	0	3		
378	Posthole/pit fill of 380	–	0	0	0	0	3		2.15
379	Posthole fill of 381	–	0	0	0	0	3		2.10, 2.15
380	Cut no. for 378	–	0	0	0	0	3	#	
381	Cut no. for 379	–	0	0	0	0	3	#	
383	Grey silty loam layer	M13	207	16	22	0	1	#	2.13, 2.14
386	Pit fill of 400	M13	4	2	0	0	1		2.10
400	Cut no. for 386	–	0	0	0	0	1		
405	Rammed chalk surface	–	0	0	0	0	1	#	
409 /19	Finds collection only	12/13	6	0	0	0	1	#	
409	Silty chalk rubble	E13	18	0	0	0	1	#	2.14
412	Silty chalk levelling layer	M–L13	6	5	0	0	1	#	2.11
430	Loose chalk rubble	M13	35	9	0	0	1	#	
505	Initial identification of 515	L13/14 or PM	1	14	4	1	3		
506	Silty chalk rubble layer (levelling)	L13/14	2	1	0	0	3		
512	Chalk levelling spit layer	–	0	0	0	0	1	#	
515	Layer of fine silty chalk rubble	L13/14 or PM	11	5	0	2	3		
518	Brown silty layer (occupation deposit)	M–L13	274	148	45		1		
520	Cleaning spit of northern end of site = 512	M–L13	3	1	0	0	1	#	
531	Chalk rubble levelling layer	–	0	0	0	0	3	#	
535	Occupation soil layer	L13/14	616	304	60		1		
539	No. for finds (same as 535)	M–L13	48	23	0	8	1		
540	Greensand layer (construction debris)	–	0	0	0	0	1		
545	Pale grey Greensand layer	–	0	0	0	0	1		
547	Chalk rubble layer	–	0	0	0	0	1		
550	Layer of mixed chalk and greensand levelling	–	0	0	0	0	1	#	
617	Layer of packed chalk lumps =620	L13/14	0	1	0	0	1	#	
620	Layer of packed chalk lumps =617	–	0	0	0	0	1	#	
621	Dumped chalk levelling layer	M13	3	1	0	0	1	#	
631	Compacted chalky soil layer	M–L13	2	2	0	0	1	#	3.12
636	Chalk rubble levelling layer (=621)	E13	19	0	0	0	1	#	
637	Possible intrusion or variation in 636	M–L13	1	0	0	0	3		
638	Brown/black soil layer (part of 636)	12/13	1	0	0	0	1		
640	Removal of 636 immediately below vault	E13	1	0	0	0	1		
643	Layer, may be same as 620	–	0	0	0	0	1	#	
645	Same as 621/636?	–	0	0	0	0	1	#	3.12
738	Sandy loam layer beneath 737	L13/14	1	2	0	0	2		4.11
742	Compacted chalk and tile layer beneath 738	–	0	0	0	0	1		4.11
744	Posthole cutting 743 ? scaffolding hole	–	0	0	0	0	1		
745	Grey/brown mortary loam	–	0	0	0	0	1		4.11
818	Cut and fill of posthole: ? scaffolding hole	–	0	0	0	0	1	#	
820	Layer including masons' debris	M13	12	13	0	0	1	#	4.15
939	Compacted chalk layer beneath 936	–	0	0	0	0	1	#	

Table 13 List of all phase 4C contexts of the 1990–4 excavations

CONTEXT	DESCRIPTION	SPOT DATE	Pre-Whitewares	Whitewares	Other medieval	Post-medieval	STR	PLAN	SECTION
223	Cleaning layer of lime kiln	L13/14	19	13	0	0	1		
228	Lime kiln cut no.	–	0	0	0	0	2		
238	Layer	L13/14	3	4	2	0	1		1.12
240	Spit beneath 238	L13/14	2	31	4	0	1		1.12
246	Chalk layer below 238	–	0	0	0	0	1		
247	Flint layer below 238	L13/14	3	2	0	0	–		1.12
251	Pale yellow/brown layer	L13/14	1	0	0	0	1		
252	Charcoal rubble layer	L13/14	108	44	4	0	1		
253	Light brown layer	L13/14	2	2	0	0	1		
254	Chalky rubble-grey silt layer	–	0	0	0	0	1		
255	Spit beneath 240	L13/14	5	0	1	0	1		1.12
257	Cut no. for flint pit	–	0	0	0	0	–		1.12
265	Material cut into 264	L13/14	2	2	0	0	1		
268	Yellow sandy mortar layer	–	0	0	0	0	1		
271	Fine chalk rubble layer	–	0	0	0	0	1		
273	Cut no. for lime kiln stokepit	–	0	0	0	0	1		
280	Layer lining lime kiln walls	L13/14	2	3	0	0	1		
948	Clay, compressed chalk, variation in banding	L13/14	2	1	0	0	1		
949	Finer – less chalk	–	0	0	0	0	1		
950	Coarse loose small fragments	–	0	0	0	0	1		
951	Pink/white compacted chalk powder	L13/14	0	1	0	0	1		
952	Coarse loose chalk, some Greensand	L13/14	2	2	0	0	1		
963	Cleaning layer under 947	M13	4	10	0	1	1		
969	Bottom layer of lime kiln	12/E13	1	0	0	0	1		
971	Light brown/grey sandy loam under 963 (lime kiln)	12/E13	1	0	0	0	1		
973	Flue bottom in flue hole (found when cleaning section)	–	0	0	0	0	1		
980	Layer of chalk rubble in S-facing section through lime kiln	–	0	0	0	0	1		
981	Light brown sandy clay and mortar	–	0	0	0	0	1		
982	Light brown sandy clay in S-facing section in lime kiln	–	0	0	0	0	1		
985	Layer of large rubble, some tile and soil matrix	–	0	0	0	0	1		4.8
986	Layer of yellowy brown sand	–	0	0	0	0	1		4.8
987	Small stones in dense sandy soil matrix	–	0	0	0	0	1		4.8
988	Loose, small rubble, tile and mortar, little soil	–	0	0	0	0	1		4.8
989	Dense chalky soil layer	–	0	0	0	0	1		4.8
990	Small loose chalk lumps, some tile fragments, little soil	–	0	0	0	0	1		4.8
991	Large loose chalks lumps	–	0	0	0	0	1		4.8
992	Dense chalky soil layer	–	0	0	0	0	1		4.8
993	Layer of brown clay in S-facing section through lime kiln	–	0	0	0	0	1		
995	Wall of lime kiln	–	0	0	0	0			
996	Flue structure of lime kiln	–	0	0	0	0			

Table 14 List of all phase 5A contexts of the 1990–4 excavations

CONTEXT	DESCRIPTION	SPOT DATE	Pre-Whitewares	Whitewares	Other medieval	Post-medieval	STR	PLAN	SECTION
218	Wall	L13/14	19	1	0	0	1	#	
236	Partition wall	–	0	0	0	0	1	#	
342	Wall	–	0	0	0	0	1	#	2.16
344	Part of 342	–	0	0	0	0	1		
408	Partition wall	–	0	0	0	0	1	#	
445	Wall	–	0	0	0	0	1	#	
447	Wall	–	0	0	0	0	1	#	
609	North–south wall (butts to 611)	–	0	0	0	0	1	#	
612	North–south wall (butts to 611)	–	0	0	0	0	1	#	
615	Fill and cut of robber trench	L13/14	2	2	0	0	1	#	
616	Demolition debris layer	L13/14	26	8	0	0	1		
623	Cut and fill of posthole	–	0	0	0	0	1		
624	East–west wall (butts to 611)	–	0	0	0	0	1	#	3.12
628	Cut and fill of posthole	–	0	0	0	0	1		
630	Cut and fill of posthole	13/14	1	0	0	0	1		
634	?wall, linked to 609	–	0	0	0	0	1		
635	Stone, possibly originally part of 634	–	0	0	0	0	1		
914	Wall running north–south (butts to 923)	–	0	0	0	0	1	#	
919	Wall abutting 918, running east–west	–	0	0	0	0	1	#	

Table 15 List of all phase 5B contexts of the 1990–4 excavations

CONTEXT	DESCRIPTION	SPOT DATE	Pre-Whitewares	Whitewares	Other-medieval	Post-medieval	STR	PLAN	SECTION
219 a	Stratigraphic division only	–	0	0	0	0	1		1.6
219 b	Stratigraphic division only	–	0	0	0	0	1		1.6
219 c	Stratigraphic division only (compacted chalk levelling)	–	0	0	0	0	1		1.6
219	Mortar, silty loam and chalk layer	L13	23	11	1	0	1		
231	Chalky rubble layer	L13/14	0	1	0	0	1	#	
232	Brown soily layer beneath 231	–	0	0	0	0	1	#	
233	Tile layer	L13/14	3	0	0	0	1		
234	Silty layer	L13/14	3	0	0	0	1		
270 a	Stratigraphic division only (compacted chalk levelling)	–	0	0	0	0	1		
270	Silty chalk rubble layer	–	0	0	0	0	3	#	
282	Compacted chalk under 219	–	0	0	0	0	3		
335	Buff creamy chalk rubble layer	19	3	1	2	4	4		
338	Mixed chalk and silt loam layer	L13/14	0	2	0	0	3	#	2.16
339	Same as 338	–	0	0	0	1	3		
358	Silty chalk rubble layer	L13/14	0	1	0	0	3	#	2.13, 2.14
359	Sloping Greensand layer (construction debris)	L13/14	12	11	9	0	1	#	2.13
384	Orange/brown silty loam layer	L13/14	1	6	1	0	1		2.13
387	Silty chalk layer	–	0	0	0	0	1		
397	Possibly part of 368	L13/14	6	3	0	0	3		
411	Brown silty loam	L13/14	5	2	2	0	1	#	
413	Main fill layer of the garderobe	M13	7	1	0	0	1	#	
426	Fine silty chalk layer	L13/14	0	4	0	0	1	#	
432	Brown soil layer	L13/14	7	5	0	0	1	#	2.16
433	Fine chalk and silt layer, compacted	L13/14	3	2	0	0	1	#	2.16
437	Chalk levelling layer	–	0	0	0	0	1		
502	Part of levelling deposit	L13/14	3	2	0	0	3		
508	Chalk rubble spit below 502	–	0	0	0	0	3		
517 /23	Finds collection only	L13/14	10	42	0	1	1		
517	Greensand layer (construction debris)	–	0	0	0	0	3		
519	Orange sandy lens (same as 523) in 517	–	0	0	0	0	1		
522	Chalk rubble levelling layer	–	0	0	0	0	1		
523	Same as 519	–	0	0	0	0	1		
613	Sandy-mortar layer (floor make-up)	M–L13	40	14	68	0	1	#	3.12
626	Brown sandy loam layer	L13/14	2	5	0	0	1	#	3.12
627	Chalky silt layer	M13	4	1	6	0	1	#	3.12
802	Mixed chalky soil and construction debris	L13/14	3	13	2	0	1	#	4.14
804	Yellow/brown sandy chalk, below 802	12/E13	4	0	0	0	1	#	4.14
808	Mixed chalky soil and construction debris	–	0	0	0	0	1	#	
809	Rammed or trampled chalk and greensand	L13/14	2	26	0	0	1	#	
810	Chalk rubble with slightly pinkish colour matrix	M13	30	17	0	0	1	#	
817	Soily layer, much bone, below 810	L13/14	47	204	8	0	1	#	
913	Medium brown sandy silt, chalk rubble and tile, E side of wall 914	L13/14	1	1	4	0	1	#	
922	Layer of mortary chalk	L13/14	0	27	1	0	1	#	4.2
925	Medium brown sandy clay, E side of 914	L13/14	4	14	12	0	1	#	
927	Dark medium brown sandy soil, under 916, to S side of wall 919	L13/14	3	15	3	0	1	#	
928	Medium brown sandy clay, under 916, between walls 914 and 918	M13	36	81	4	0	1	#	
930	Light brown sandy clay, to east of possible wall 932	L13/14	0	26	2	0	1	#	
934	Light brown sandy clay with tile rubble, beneath 929	L13/14	0	1	0	0	1	#	
936	Layer of chalk dumping to east of the wall 918	–	0	0	0	0	1	#	
937	Layer of chalk dumping to east of wall 914	–	0	0	0	0	1	#	
940	Burnt patch, charcoal and tile, E of wall 918	–	0	0	0	0	1	#	
941	Compacted chalk rubble with chalk blocks	–	0	0	0	0	1	#	
942	Medium brown sandy loam with tile	–	0	0	0	0	1	#	
947	Dark black/brown layer revealed on S side of lime kiln	L13/14	1	282	1	0	1	#	4.8
954	Light grey chalky sand loam with flints	–	0	0	0	0	1	#	4.2
960	Dense white chalk	–	0	0	0	0	1	#	4.2
967	Lumpy compacted chalk under 922 (middle)	M–L13	1	3	0	0	1	#	
968	Smooth compacted chalk, under 967 (middle)	L13/14	9	11	2	0	1	#	
984	Dark brown sandy clay with some small frags. of chalk rubble	–	0	0	0	0	1	#	

Table 16 List of all phase 5C contexts of the 1990–4 excavations

<i>CONTEXT</i>	<i>DESCRIPTION</i>	<i>SPOT DATE</i>	<i>Pre-Whitewares</i>	<i>Whitewares</i>	<i>Other medieval</i>	<i>Post-medieval</i>	<i>STR</i>	<i>PLAN</i>	<i>SECTION</i>
129	Posthole	–	0	0	0	0	1	#	0.5
130	Posthole	–	0	0	0	0	1	#	
131	Pit	L13/14	10	0	0	0	1	#	0.4
134	Pit	L13 or PM	8	1	0	1	3	#	0.6
135	Posthole	L13/14	2	1	0	0	3	#	0.3
414	Thin silty chalk layer	L13/14	9	9	1	0	3	#	
425	Chalk and mortar surface	–	0	0	0	0	1	#	
429	Hearth	–	0	0	0	0	1	#	
932	Possible pathway of chalk rubble	–	0	0	0	0	1	#	

Table 17 List of all phase 6 contexts of the 1990–4 excavations

CONTEXT	DESCRIPTION	SPOT DATE					STR	PLAN	SECTION
			Pre-Whitewares	Whitewares	Other medieval	Post-medieval			
110	Layer, mainly demolition	L13/14	96	37	44	0	-		
111	Pit + fill	-	0	0	0	0	-		
112	Layer	L13/14	3	2	0	0	-	1.11	
115	Demolition layer	L13/14	1	52	2	0	-	1.11, 0.12	
116	Layer	L13/14	1	2	0	0	-	0.12	
117	Continuation of 110	L13/14	0	0	1	0	-		
120	Demolition rubble	-	0	0	0	0	-		
136	Rubble layer	L13/14	18	11	0	0	-		
137	Mortared chalk rubble	-	0	0	0	0	-	1.11	
138	Stone rubble layer	-	0	0	0	0	-	1.11	
139	Stone rubble layer	L13/14	3	1	0	0	-	0.12	
143	Demolition debris layer	L13/14	5	1	0	0	-	1.11	
150	Loose mortar and chalk rubble layer	-	0	0	0	0	-	1.11	
163	Layer	-	0	0	0	0	-		
211	Posthole	-	0	0	0	0	-		
216	Tile layer	L13/14	0	1	0	0	-		
220	'Primary' demolition layer	15/16	21	30	2	1	-		
222	Demolition layer	L13/14	32	19	0	0	-	1.12	
244	Posthole	-	0	0	0	0	-		
245	Posthole	-	0	0	0	0	-		
248	Yellow mortar and chalk layer	E13	3	0	0	0	-		
363	Tile and chalk rubble layer	-	0	0	0	0	-		
364	Chalk rubble layer	-	0	0	0	0	-		
366	Silty chalk rubble layer	L13/14	2	3	0	0	-		
368	Silt loam and tile layer	-	0	0	0	0	-		
389	Silty chalk rubble layer	13	1	0	0	0	-		
396	Fine stone rubble layer	17/18	1	1	1	5	-		
399	Tile and chalk layer	14/15	0	5	0	0	-	2.11	
402	Demolition material	L13/14	66	9	1	0	-		
403	Demolition material	L15/16	2	16	2	1	-		
404	Brown silty loam layer	-	0	0	0	0	-		
407	Silty chalk rubble and tile layer	M-L13	6	3	0	0	-		
415	Chalk and tile layer	-	0	0	0	0	-	2.16	
431	Silty chalk rubble and tile	L13/14	12	28	0	0	-		
507	Topmost layer of Tudor pit	L13/14	5	3	0	0	-		
509	Chalk rubble and tile layer in Tudor pit	16	7	2	0	1	-		
513	Cut for Tudor pit	-	0	0	0	0	-		
524	Basal layer in Tudor pit	E13	4	0	0	0	-		
603	Demolition rubble	18/19	1	1	0	1	-		
604	Layer of roof tile (demolition)	-	0	0	0	0	-		
605	Layer of roof tile (=606)	-	0	0	0	0	-		
606	Mixed layer of demolition debris	M-L13	39	40	0	0	-		
614	Rubble layer (=603)	E14/15	0	12	0	0	-		
622	Demolition rubble =603	-	0	0	0	0	-		
725	Sandy layer in test trench 720	-	0	0	0	0	-	4.11, 4.12	
737	Tile layer lying under 725	-	0	0	0	0	-	4.10, 4.11	
739	Accumulation of dipping tile with mid-brown soily matrix, and. to 740	E13	2	0	0	0	-		
741	Compacted chalk layer within brown soil matrix, parallel to 740	-	0	0	0	0	-		
750	Pocket of grey chalky loam below 739 and above 749	E13	19	0	0	0	-		
801	Demolition layer	-	0	0	0	0	-	4.14	
815	Grey/brown soil with clay patches, probably over 814	16	9	51	3	6	-		
915	Medium brown with chalk rubble and tile	-	0	0	0	0	-		
916	Dense layer of tile and occasional chalk rubble	L13/14	3	16	3	0	-		
917	Sandy mortar and chalk with occasional tile	L13/14	0	0	1	0	-		
926	Layer of tile, north of wall 919	M13	33	10	4	0	-		
935	Layer of chalk dumping	17/18	0	0	0	3	-	4.1	
938	Layer of medium brown sandy loam, under ...	14/15	1	3	1	0	-	4.1	
943	Medium brown sandy clay with tile to west of wall 918	-	0	0	0	0	-		
944	Compacted layer of flints and possible mortar, possible partition wall	-	0	0	0	0	-		
945	Medium brown sandy loam with chalk rubble	-	0	0	0	0	-		
946	Medium brown sandy clay with much mortar and chalk rubble	-	0	0	0	0	-		
955	Light brown /yellow sandy loam with tile	-	0	0	0	0	-	4.2	
962	Light brown sandy clay under 938	12/E13	3	0	0	0	-	4.1	
970	Layer in entrance way	-	0	0	0	0	-		
972	Layer of chalk blocks	M13	2	1	0	0	-		
983	Layer of crushed compacted chalk in east-facing section through lime kiln	-	0	0	0	0	-		

Table 18 List of all phase 7 contexts of the 1990–4 excavations

CONTEXT	DESCRIPTION	SPOT DATE	Pre-Whitewares	Whitewares	Other medieval	Post-medieval	STR	PLAN	SECTION
100	Garden soil	19	5	11	0	67	–		1.11, 0.12
101	Cleaning layer	19	16	26	3	188	–		
102	Tennis court layer	–	0	0	0	0	–		
103	Soil layer	19	14	36	3	52	–		
104	Pit + fill	19	0	0	0	2	–		
105	Layer	–	0	0	0	0	–		
107	Cleaning layer	19	12	13	0	15	–		
108	Remnant of 100	–	0	0	0	0	–	#	
114	Remnant of 100	–	0	0	0	0	–		
121	Lower levels of 103	19	23	9	4	24	–		
122	Pit/posthole	16	0	0	0	1	–		
123	Layer	19	0	1	2	3	–		
127	Rubble layer	L13/14	2	1	0	0	–		
200	Machining clearance	–	0	0	0	0	–		1.6
201	Backfills from 1991 exc	19	4	12	1	52	–		
202	Outer bailey ditch cleaning spit	–	0	0	0	0	–		
203	Cleaning spit	18	0	0	0	1	–		1.6
204	Chalk on top of opened bank	–	0	0	0	0	–		1.8
205	Cleaning spit	17	7	8	0	2	–		
206	Clayey chalk layer	L13/14	0	1	0	0	–		
207	Chalk rubble below 206	17	1	0	0	1	–		
209	'Well' backfill	E13	2	0	0	0	–		
213	Cleaning spit	L15/16	28	125	1	10	–		1.6
214	Cleaning spit from pit	L13/14	1	3	0	0	–		
215	Dark loamy layer	19	3	4	0	6	–		
217	Dark brown layer	18/19	8	4	1	9	–		
221	Posthole	L13–15	0	2	0	0	–		
229	'Modern' pit cut into 222	18	0	0	0	2	–		
249	Pit/posthole in wall	–	0	0	0	0	–		
266	Posthole/pit cut into wall 218	–	0	0	0	0	–		
300	Machining layer	19	15	22	0	88	–		
301	Cleaning layer	–	0	0	0	0	–		
302	Cleaning layer	19	0	0	0	2	–		
303	Cleaning layer	17/18	1	0	1	3	–		
304	Cleaning layer	17/18	3	0	0	0	–		
305	Cleaning layer	L13/14	3	2	0	0	–		
306	Cleaning layer	12/E13	1	0	1	0	–		
307	Cleaning layer	18/19	1	1	0	3	–		
308	Cleaning layer	–	0	0	0	0	–		
309	Cleaning layer	PM	0	0	0	2	–		
310	Cleaning layer	L13/14	0	3	0	0	–		
311	Cleaning layer	L13/14	0	2	0	0	–		
312	Cleaning layer	–	0	0	0	0	–		
313	Cleaning layer	–	0	0	0	0	–		
314	Cleaning layer	L13/14	1	1	0	0	–		
315	Cleaning layer	L13/14	0	1	0	0	–		
316	Cleaning layer	18/19	1	0	0	2	–		
317	Cleaning layer	–	0	0	0	0	–		
318	Cleaning layer	–	0	0	0	0	–		
319	Cleaning layer	16	0	0	0	2	–		
320	Cleaning layer	–	0	0	0	0	–		
321	Cleaning layer	–	0	0	0	0	–		
322	Cleaning layer	16	1	0	0	1	–		
323	Cleaning layer	18/19	0	0	0	2	–		
324	Cleaning layer	18/19	0	0	0	4	–		
326	Cleaning layer	PM	1	5	0	5	–		
327	Cleaning layer	?	0	0	0	1	–		
328	Cleaning layer	–	0	0	0	0	–		

Table 18 List of all phase 7 contexts of the 1990–4 excavations (continued)

CONTEXT	DESCRIPTION	SPOT DATE	Pre-Whitewares	Whitewares	Other medieval	Post-medieval	STR	PLAN	SECTION
329	Cleaning layer	19	4	1	0	4	-		
331	Posthole/pit	16?	1	0	1	1	-		
340	Possible posthole	18/19	0	0	0	1	-		
341	Bedding trench	L13/14	1	1	0	0	-		
343	Pit/posthole	-	0	0	0	0	-		
345	Bedding trench	19	1	2	0	3	-		
346	Cleaning layer	19	2	8	1	1	-		
347	Cleaning layer	19	3	3	1	5	-		
348	Cleaning layer	19	0	3	0	11	-		2.11
350	Silty loam patch	-	0	0	0	0	-		
351	Pit fill	18	2	2	0	1	-		
352	Pit fill	17/18	2	5	1	1	-		
354	Cut no. for pit 352	-	0	0	0	0	-		
356	Cut no. for pit 351	-	0	0	0	0	-		
360	Cut no. for posthole 331	-	0	0	0	0	-		
362	Cleaning spit	L13/14	2	1	0	0	-		
365	Dark grey/brown layer	18	7	7	34	0	-		
369	Layer	17–19	0	0	0	1	-		
370	Bedding trench	17/18	5	12	0	15	-		
371	Patch of mortar	-	0	0	0	0	-		
373	Patch of mortar	-	0	0	0	0	-		
375	Pale grey loam layer	18	9	6	0	60	-		
376	Cut no. for 340	-	0	0	0	0	-		
382	Chalk flecked silt loam layer	17/18	3	2	0	2	-		
388	Rectangular feature	13	1	0	0	0	-		
390	Rectangular posthole	-	0	0	0	0	-		
391	Shallow posthole	-	0	0	0	0	-		
393	Cut no. for 390	-	0	0	0	0	-		
394	Cut no. for 391	-	0	0	0	0	-		
395	Animal disturbance	E13	8	0	0	0	-		
398	Pit fill	L13/14	3	0	0	0	-		2.10
406	Cut no. for pit 398	-	0	0	0	0	-	#	2.16
446	Silty layer	-	0	0	0	0	-		
500	Machined overburden	19	2	4	4	48	-		
501	Part of overburden layer	19	43	82	14	10	-		
503	As 502 but before identification of 513 etc	19	2	0	0	0	-		
504	Silty-chalk layer in north-east corner (contaminated)	19	1	2	0	2	-		
510	19th century rectangular pit	19	1	0	0	8	-		
511	Cut for 510	-	0	0	0	0	-		
600	Machining of post-medieval deposits	17/18	5	6	1	6	-		3.12
601	Patch of post-medieval debris	L13/14	0	2	0	0	-		
607	Same as 601	M13	10	2	2	0	-		
700	Trowelling, general clearance	18/19	7	20	0	38	-		4.11
701	Layer beneath 700 – chalky with loam matrix	17/18	0	3	0	2	-		
702	Modern posthole cut into 701	-	0	0	0	0	-		
703	Modern posthole cutting 701	13/14	0	1	0	0	-		
704	Shallow modern feature cutting 701	-	0	0	0	0	-		
705	Very shallow circular feature cutting 701	19	0	0	0	1	-		
706	Modern feature – soakaway cutting 716	18	0	0	0	1	-		
707	Horizontal tile spread	-	0	0	0	0	-		4.11
708	Chalky strip – compact tile layer	-	0	0	0	0	-		4.11
709	Buff coloured loamy strip parallel to 708	-	0	0	0	0	-		
710	Circular area of grey soil	-	0	0	0	0	-		
711	Grey/brown oval area, containing 703 and 704	-	0	0	0	0	-		
712	Reddish patch of loamy soil	-	0	0	0	0	-		
713	Blackish/red patch of loamy soil	-	0	0	0	0	-		
714	Loamy soil layer	16/E17	0	0	0	2	-		
715	Chalk rubble with vertical tile in north-east corner	L13/14	0	1	0	0	-		4.10, 4.11

Table 18 List of all phase 7 contexts of the 1990–4 excavations (continued)

CONTEXT	DESCRIPTION	SPOT DATE	Pre-Whitewares	Whitewares	Other medieval	Post-medieval	STR	PLAN	SECTION
716	Reddish brown loamy soil strip with chalk rubble	L13/14	0	0	0	2	–		
717	Mortary chalk consolidated area.	–	0	0	0	0	–		
718	Brown loamy chalk layer containing chalk lumps	16	0	3	1	0	–		
719	Segment of 709	L13/14	4	2	0	0	–		
720	Test trench along south end of trench 3	–	0	0	0	0	–		
721	Test trench along north baulk of trench 3	–	0	0	0	0	–		
722	Spit of chalky rubble in trench 721	17/18	1	0	0	6	–		4.10
723	Spit of chalky soily rubble in trench 720	16/17	0	1	1	1	–		4.11
724	Spit of chalky rubbly soil under 722	19	0	0	0	4	–		4.10
726	Dark brown loamy soil patch within 720, part over 725	E13	2	0	0	0	–		
727	Layer of mid-brown sandy loamy soil, with chalk rubble	17/18	0	0	0	2	–		4.11
728	Layer of loamy soil containing chalk rubble and fragments over 721	17-19	0	0	0	2	–		4.10, 4.11
729	Layer of mid-brown sandy loam with chalk rubble in test trench 721	15/16	0	0	0	0	–		4.10
730	Dark brown soily layer under 729	L16/E17	0	0	0	10	–		
731	Layer of chalky rubble below 725, in test trench 721	M13	3	2	0	0	–		4.12
732	Clay loam layer with spread of tile below 725, west of 731, in trench 721	–	0	0	0	0	–		
733	Layer of mid-brown loam with chalk rubble in north-east corner of trench	L13/14	0	3	0	0	–		4.11
735	Central area of layer of chalk rubble in sandy matrix	L13/14	0	1	0	0	–		4.12
747	Layer of chalk rubble between 610 and east baulk	–	0	0	0	0	–		4.11
748	Layer of mixed mid-brown loam with occasional chalk rubble	–	0	0	0	0	–		
748	West of 610 & over 739	–	0	0	0	0	–		
800	Trowel clearance and machine clearance	19	0	0	0	0	–		4.14
805	Soil layer – remnants of topsoil	12/E13	1	0	0	0	–		
806	Mixed soil of chalk deposits above 801, below 805	–	0	0	0	0	–		
900	Trowelling clearance	19	10	310	8	32	–		
901	Backfill/ Trench 94	–	0	0	0	0	–		
902	Area of 5-sided trench	19	2	15	1	45	–		
903	Area (near wall) of 5-sided trench	19	1	0	0	14	–		
904	Feature – possibly a pit	17/18	3	4	2	6	–		
905	Feature – pit, post-med.	17–19	0	0	0	1	–		
906	Feature – pit, post-med.	L13–15	0	1	0	0	–		
907	Area of west side trench	–	0	0	0	0	–		
908	Excavated south-east corner 93	–	0	0	0	0	–		
909	Posthole west side, packed with flints	–	0	0	0	0	–		
910	Medieval demolition rubble	18	13	52	13	4	–		
911	Dark, most probably post-med on west side of trench wall	17/18	2	6	3	6	–		
912	Possible backfilled pit, prob. post-med	L13/14 or PM	2	25	1	2	–		
920	Mortary chalk layer, between wall 918 and west edge of trench	L15/16	7	16	47	1	–		
924	Lower level of 912	18	1	0	1	19	–		
929	Dark grey/brown sandy clay, to S of wall 931, to south side of trench	17/18	0	2	0	7	–		4.1

Table 19 Harris matrix of contexts numbered 100+, 200+

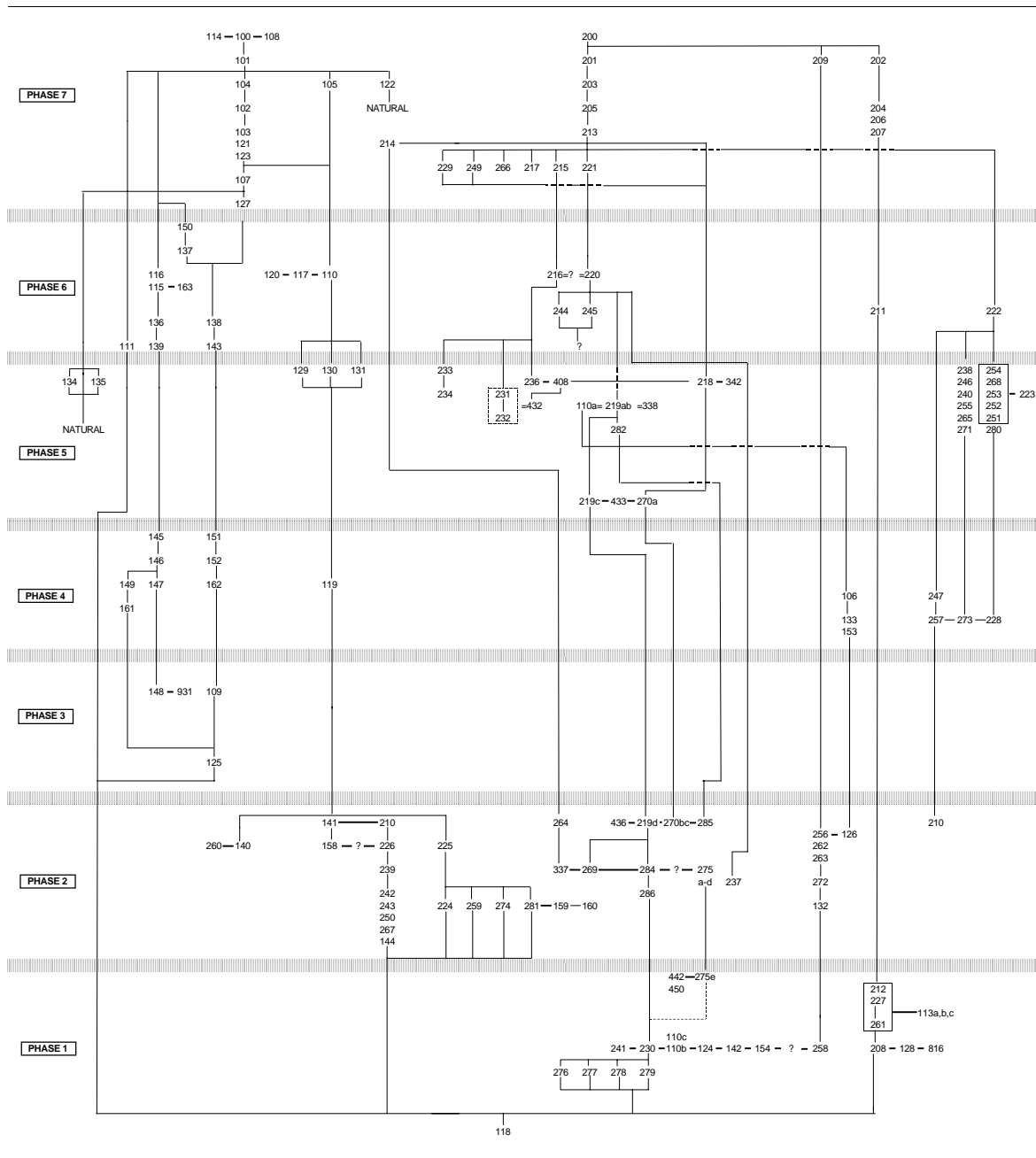


Table 20 Harris matrix of contexts numbered 300+, 400+

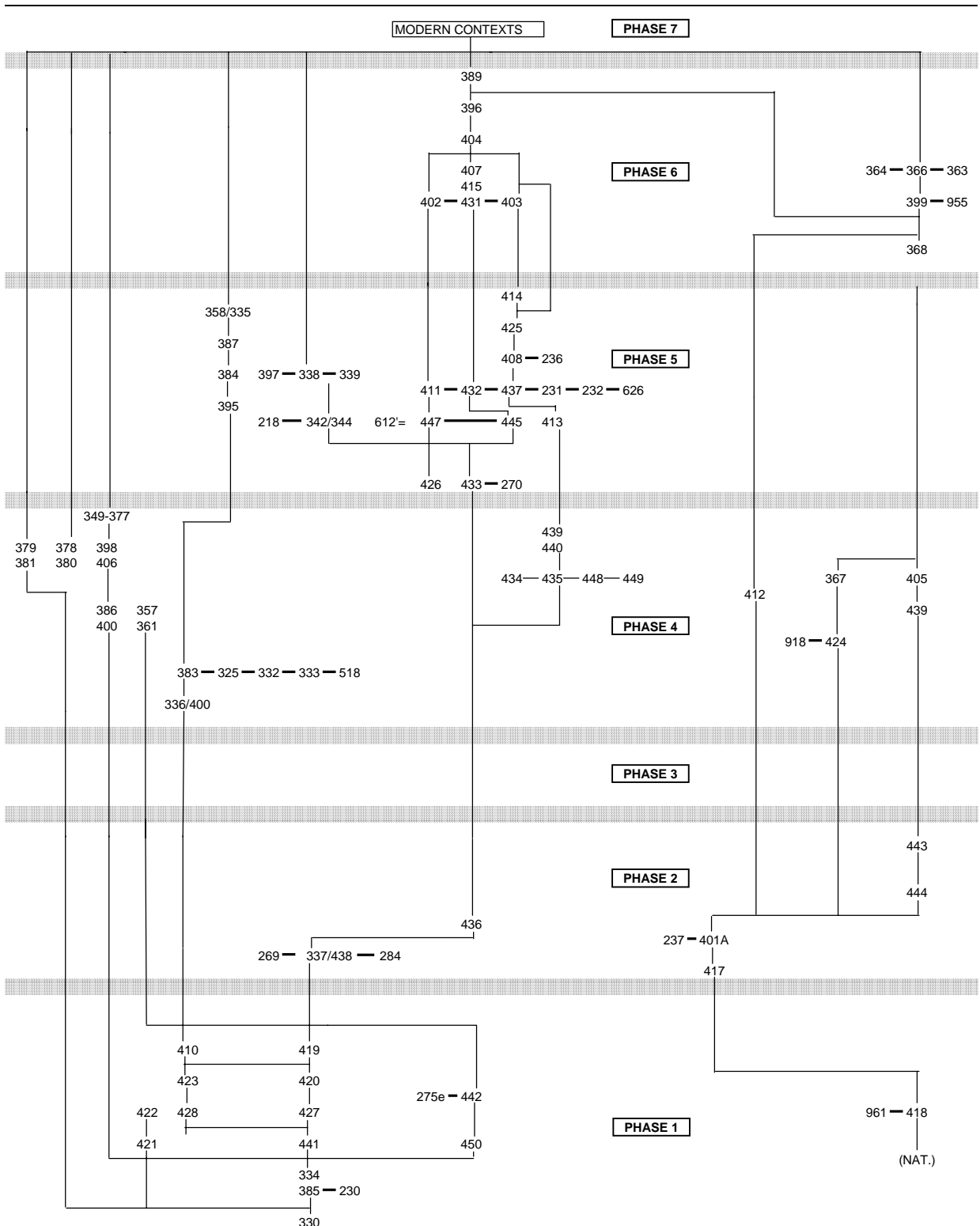


Table 21 Harris matrix of contexts numbered 500+

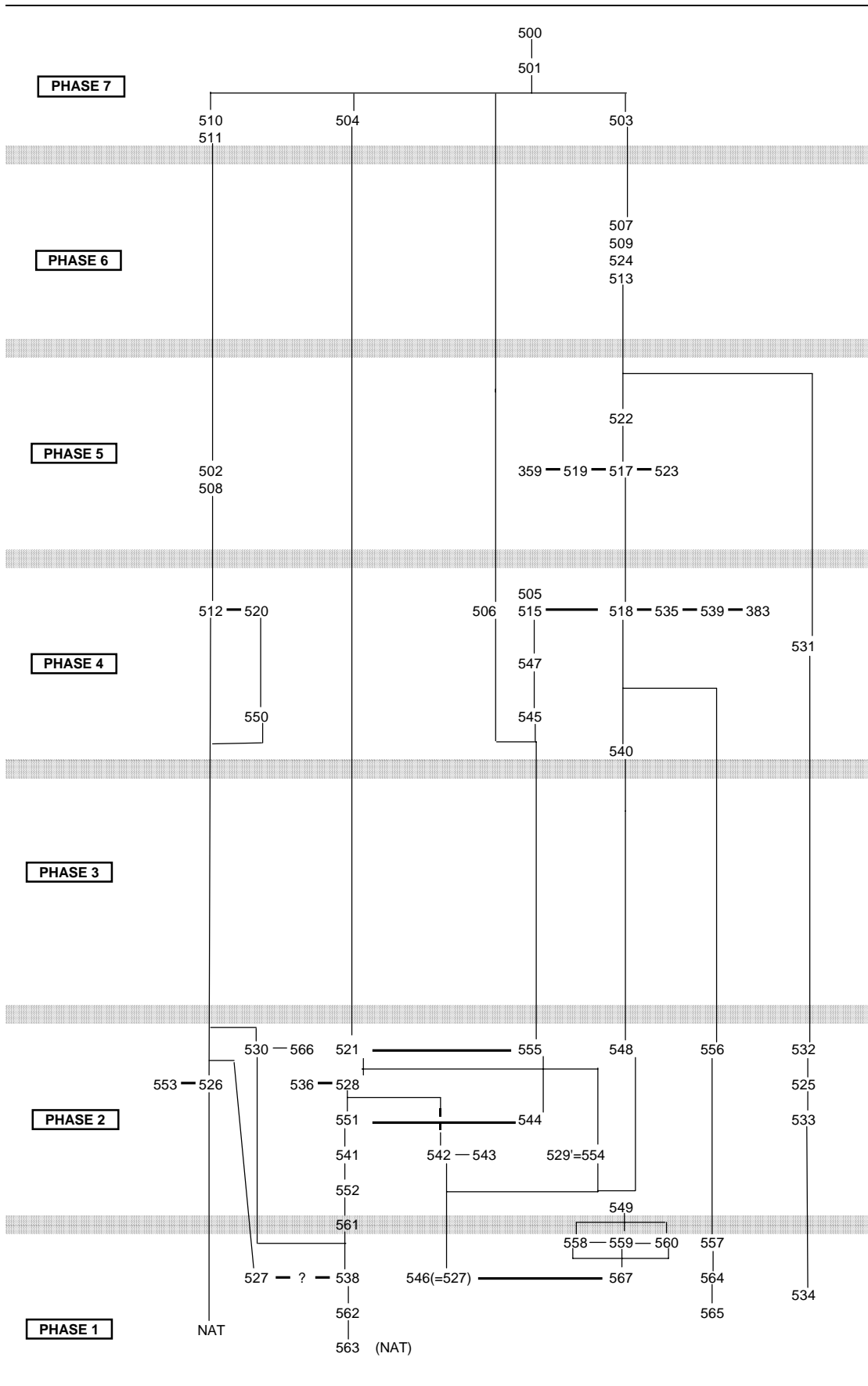


Table 22 Harris matrix of contexts numbered 600+

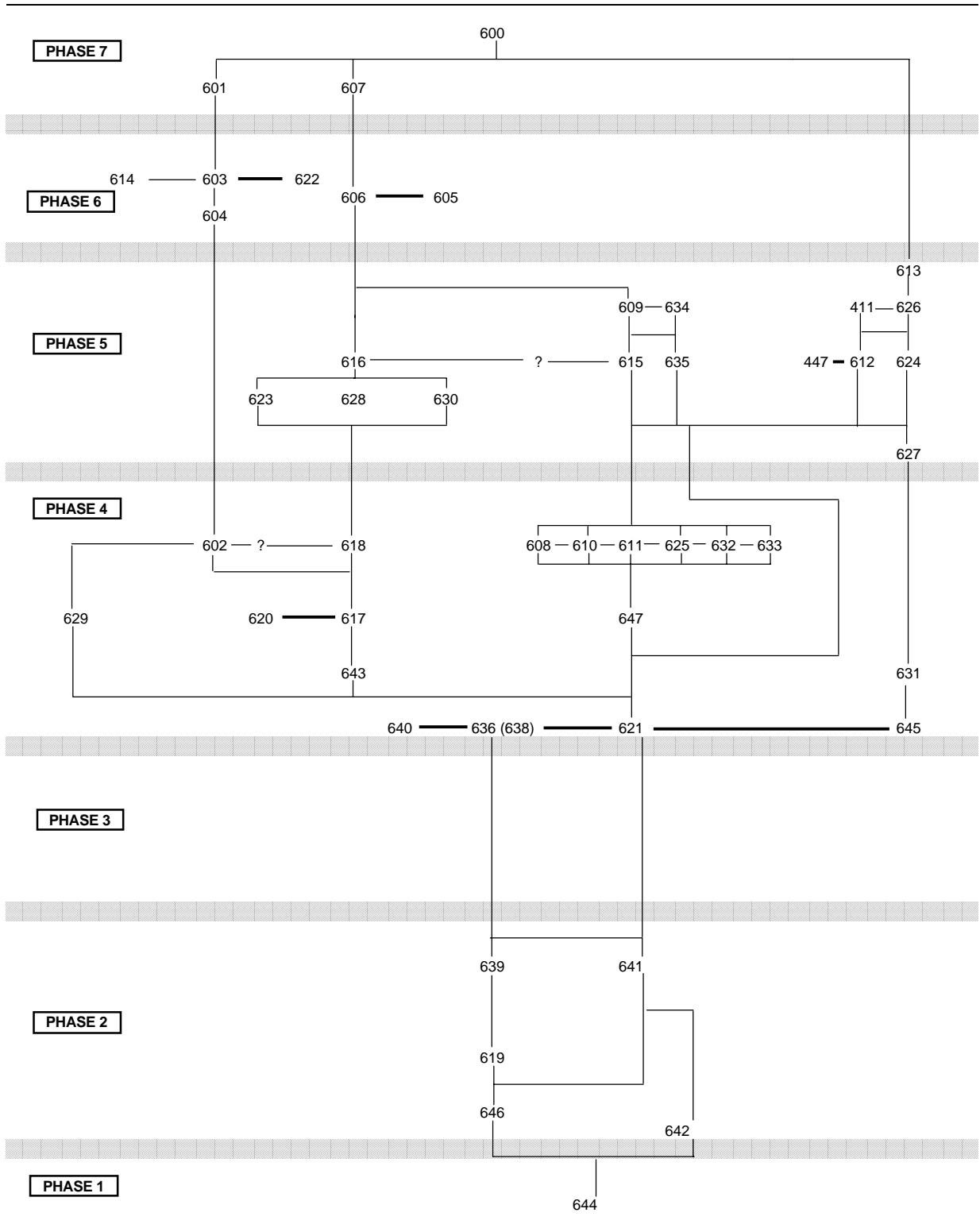


Table 23 Harris matrix of contexts numbered 700+

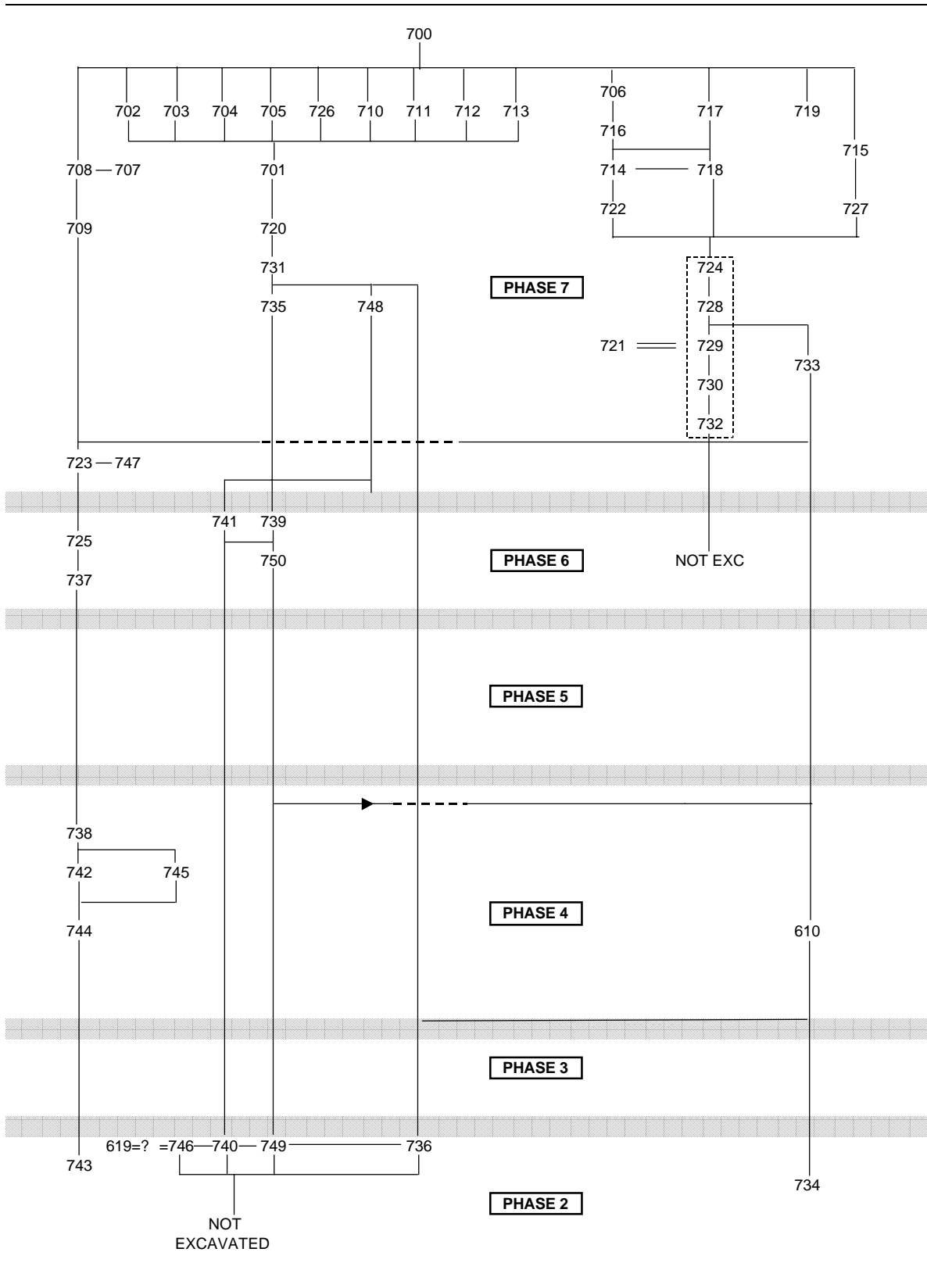


Table 24 Guildford Castle: Harris matrix of contexts numbered 800+

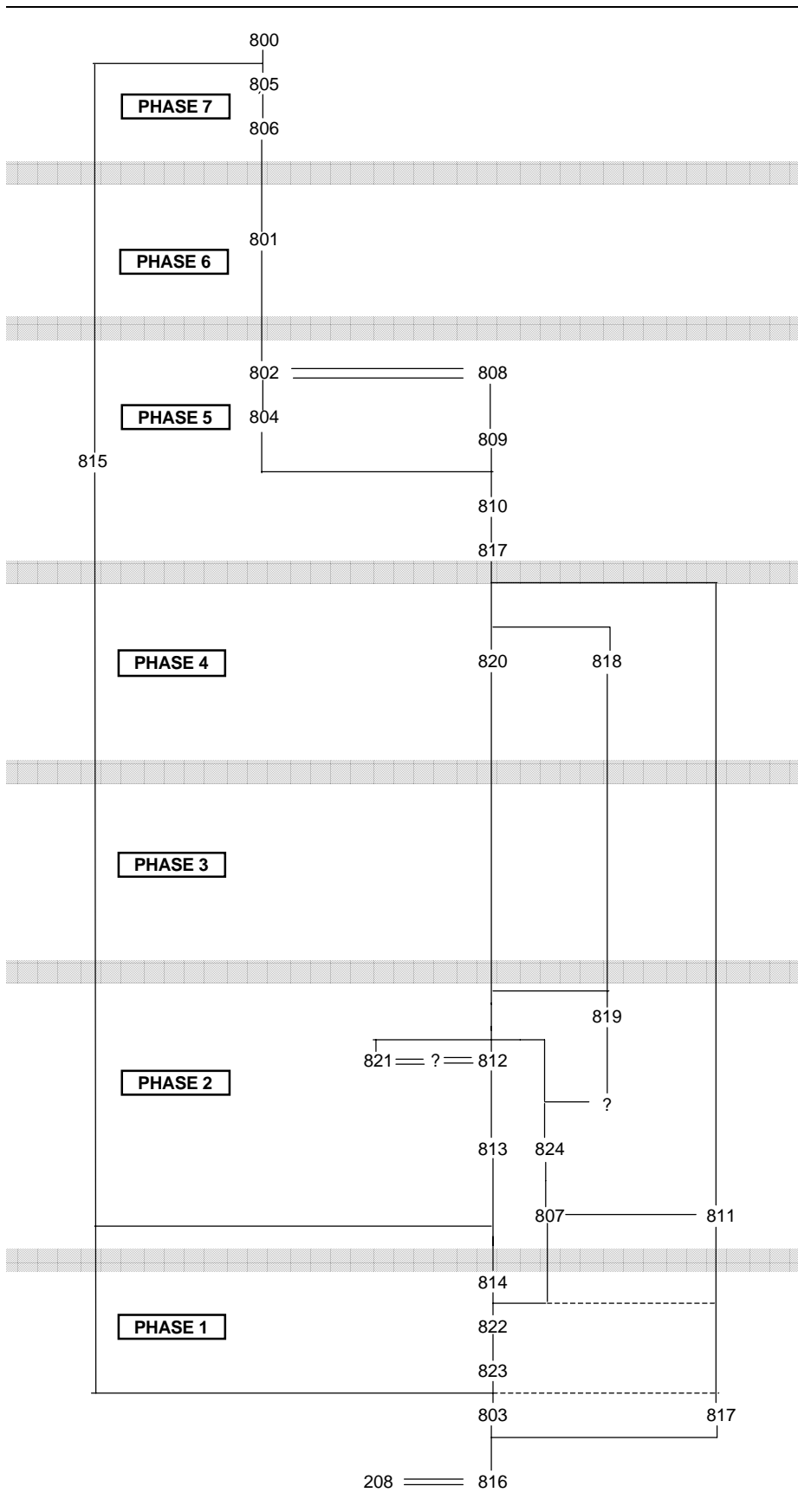


Table 25 Harris matrix of contexts numbered 900+

