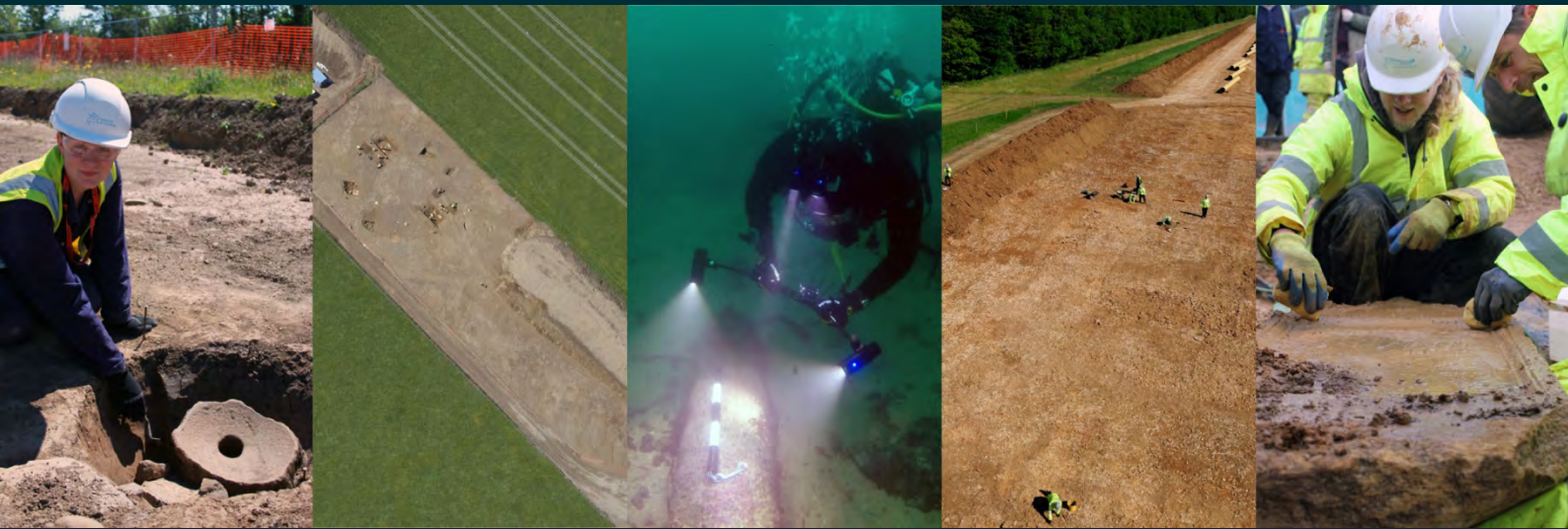


Land adjacent to Holwell Farm St. Ann's Chapel Devon

Archaeological Evaluation



for
Arcadis Group

on behalf of
South Hams District Council

CA Project: 880370
CA Report: 18707

December 2018



Land adjacent to Holwell Farm St. Ann's Chapel Devon

Archaeological Evaluation

CA Project: 880370
CA Report: 18707



Document Control Grid						
Revision	Date	Author	Checked by	Status	Reasons for revision	Approved by
A	11 December 2018	Paul Clarke	Derek Evans	Internal review	–	Zoe Arkley
B	13 December 2018	Paul Clarke	Derek Evans	Client review	Minor revisions in line with client comments	Zoe Arkley

This report is confidential to the client. Cotswold Archaeology accepts no responsibility or liability to any third party to whom this report, or any part of it, is made known. Any such party relies upon this report entirely at their own risk. No part of this report may be reproduced by any means without permission.

CONTENTS

SUMMARY	2
1. INTRODUCTION.....	3
2. ARCHAEOLOGICAL BACKGROUND.....	4
3. AIMS AND OBJECTIVES.....	5
4. METHODOLOGY	5
5. RESULTS	6
6. DISCUSSION.....	7
7. CA PROJECT TEAM.....	8
8. REFERENCES.....	8
APPENDIX A: CONTEXT DESCRIPTIONS	9
APPENDIX B: OASIS REPORT FORM.....	11

LIST OF ILLUSTRATIONS

- Fig. 1 Site location plan (1:25,000)
- Fig. 2 Trench plan showing archaeological features and geophysical survey results (1:500)
- Fig. 3 Trench 3: plan (1:200), section (1:20) and photographs
- Fig. 4 Trench 3: sections (1:20) and photographs
- Fig. 5 Trench 4: plan (1:200), section (1:20) and photographs
- Fig. 6 Trench 5: plan (1:200), section (1:20) and photographs
- Fig. 7 Trench 5: sections (1:20) and photographs

SUMMARY

Project Name:	Land adjacent to Holwell Farm
Location:	St. Ann's Chapel, Bigbury, Devon
NGR:	266360 047300
Type:	Evaluation
Date:	14–15 November 2018
Location of Archive:	N/A
Site Code:	STAN18

In November 2018, Cotswold Archaeology carried out an archaeological evaluation of land adjacent to Holwell Farm, St. Ann's Chapel, Bigbury, Devon. A total of eight trenches was excavated within the site.

The evaluation recorded five north-east/south-west aligned ditches. These were all undated artefactually but were on the same orientation as the extant field system. Three of the ditches correspond to field boundaries depicted on 19th and 20th century cartographic sources.



1. INTRODUCTION

- 1.1 In November 2018, Cotswold Archaeology (CA) carried out an archaeological evaluation of land adjacent to Holwell Farm, St. Ann's Chapel, Bigbury, Devon (centred at NGR: 266360 047300). This evaluation was undertaken for Arcadis LLP, who were acting on behalf of South Hams District Council.
- 1.2 The evaluation results will inform a planning application for residential development of the site, which is to be made to South Hams District Council. The scope of the evaluation was defined in consultation with Stephen Reed, Senior Historic Environment Officer, Devon County Council Historic Environment Team (DCCHET; the archaeological advisors to South Hams District Council).
- 1.3 The evaluation was carried out in accordance with a Written Scheme of Investigation (WSI) produced by CA (2018) and approved by Stephen Reed. The fieldwork also followed *Specification for Archaeological Field Evaluation* (Devon County Council 2017), *Standard and guidance for archaeological field evaluation* (ClfA 2014), *Management of Research Projects in the Historic Environment (MoRPHE) PPN 3: Archaeological Excavation* (Historic England 2015) and *Management of Research Projects in the Historic Environment (MoRPHE): Project Manager's Guide* (Historic England 2015).
- 1.4 The evaluation fieldwork was monitored by Stephen Reed, including a site visit on 15 November 2018.

The site

- 1.5 The evaluation site is situated to the immediate north of the village of St. Ann's Chapel and to the south-west of Holwell Farm. It covers c. 0.45ha and is currently part of a larger arable field. The site is bound to the south-west by the B3392 road; to the south-east by a sunken lane leading to Holwell Farm; to the south by a shop and its associated parking area; and to the north by the remainder of the field.
- 1.6 The underlying bedrock geology of the site is mapped as Dartmouth Group slate, siltstone and sandstone, which formed during the Devonian period. No superficial deposits are recorded at the site (BGS 2018).

2. ARCHAEOLOGICAL BACKGROUND

2.1 The evaluation site has been the previous subject of a desk-based heritage assessment (Oakford Archaeology 2018) and a geophysical survey (Substrata 2018). The following text is summarised briefly from these sources, which should be referred to for a full archaeological background.

Prehistoric (pre-AD 43)

2.2 A Neolithic long barrow and two late Neolithic/Bronze Age bowl barrows are situated some 300m south-east of the evaluation site.

2.3 The cropmarks of two sub-rectangular enclosures have been recorded c. 310m and c. 350m south of the evaluation site.

Medieval (1066–1539)

2.4 St Ann's Well is situated some 100m north-east of the evaluation site, at the eastern corner of the field in which the site lies. This well is a scheduled monument (Historic England List number: 1019315) and a grade II listed building (Historic England List number: 1309152). The well is believed to have been considered a holy well, with supposed healing properties. The Chapel of St Ann (which lay some 60m south of the evaluation site) was founded in the 15th century and is likely to have been associated with veneration of this well. It is possible that the well was considered important prior to the medieval period, although there are no surviving records confirming this.

2.5 Historic Landscape Characterisation data held by the Devon Historic Environment Record classifies the landscape around the evaluation site as medieval enclosures based on earlier medieval strip fields.

Post-medieval (1540–1800) and modern (1800–modern)

2.6 The remains of the medieval St Ann's Chapel (see above) were incorporated into the Pickwick Inn, which was built at the chapel site in the early 19th century.

2.7 The first detailed depiction of the site is on the 1843 tithe map of Bigbury, which shows two boundaries dividing the site into three fields. One of these field boundaries had been removed by the time of the 1885 Ordnance Survey (OS) map.

Subsequent OS maps show that the site layout then remained unchanged until at least 1974, with the final field boundary being removed at some stage post-1974.

Geophysical survey

- 2.8 The geophysical survey identified four linear anomalies, all of which corresponded to or were on the same alignment as former field boundaries shown on the 1843 tithe map of Bigbury (see above).

3. AIMS AND OBJECTIVES

- 3.1 The objective of the evaluation was to provide further information about the likely archaeological resource within the site, including its presence/absence, character, extent, date, integrity, state of preservation and quality. This information will enable Devon County Council to identify and assess the particular significance of any archaeological heritage assets within the site, consider the impact of the proposed development upon that significance and, if appropriate, develop strategies to avoid or minimise conflict between heritage asset conservation and the development proposal, in line with the *National Planning Policy Framework* (MHCLG 2018).

4. METHODOLOGY

- 4.1 The fieldwork comprised the excavation of eight trenches (Fig. 2):
- 1no. 10m x 1.8m trench;
 - 4no. 20m x 1.8m trenches; and
 - 3no. 30m x 1.8m trenches.
- 4.2 The trenches were located to test geophysical anomalies and to provide a representative sample of the site.
- 4.3 Trenches were set out on OS National Grid (NGR) co-ordinates using Leica GPS and surveyed in accordance with *CA Technical Manual 4: Survey Manual*. All trenches were excavated by a mechanical excavator equipped with a toothless grading bucket. All machine excavation was undertaken under constant archaeological supervision to the top of the natural substrate. Where archaeological

deposits were encountered, they were excavated by hand in accordance with *CA Technical Manual 1: Fieldwork Recording Manual*.

- 4.4 Deposits were assessed for their palaeoenvironmental potential in accordance with *CA Technical Manual 2: The Taking and Processing of Environmental and Other Samples from Archaeological Sites*.
- 4.5 A summary of information from this project, as set out in Appendix B, will be entered onto the OASIS online database of archaeological projects in Britain. The OASIS entry will include an uploaded copy of the present report.
- 4.6 As no significant archaeological features were identified during the evaluation, no project archive will be prepared. The results of the fieldwork will be held by DCCHET in the form of this report and the OASIS entry (see above).

5. RESULTS

- 5.1 This section provides an overview of the evaluation results. Detailed summaries of the recorded contexts can be found in Appendix A.
- 5.2 The natural substrate comprised orange-brown sandy silt with abundant shillet inclusions. It was generally exposed at a depth of 0.36m–0.58m below the present ground level (bpgl) and was partially sealed by an intermittent silty subsoil layer measuring 0.14m–0.3m in thickness. The exception was T8, which was somewhat deeper; here, the natural substrate was exposed 0.72m bpgl and was sealed by 0.42m of silty subsoil. The subsoil layer was covered in all trenches by the modern topsoil, which measured 0.22m–0.3m in thickness.
- 5.3 Archaeological features were recorded in T3, T4 and T5. These trenches are discussed in more detail below. All archaeological features were cut into the natural substrate and sealed by the subsoil (where present).

Trench 3 (Figs. 3 & 4)

- 5.4 North-east/south-west aligned ditch 305 (Fig. 3, Sec. AA) was 1.05m wide and 0.48m deep, with a single undated fill (306). Ditch 305 was truncated on its south-

eastern side by parallel ditch 303, which was 1.05m wide and 0.41m deep, with a single undated fill (304).

5.5 North-east/south-west aligned ditch 307 (Fig. 4, Sec. CC) was 1.3m wide and 0.72m deep, with a single undated fill (308).

5.6 North-east/south-west aligned ditch 309 (Fig. 4, Sec. BB) was 0.41m wide and 0.11m deep, with a single undated fill (310).

Trench 4 (Fig. 5)

5.7 North-east/south-west aligned ditch 403 (Fig. 5, Sec. DD) was 1.6m wide and 0.71m deep, with two undated fills (404 and 405).

Trench 5 (Figs. 6 & 7)

5.8 North-east/south-west aligned ditch 503 (Fig. 6, Sec. EE) was 1.27m wide and 0.67m deep, with two undated fills (504 and 505).

5.9 North-east/south-west aligned ditch 506 (Fig. 7, Sec. FF) was 0.62m wide and 0.22m deep, with a single undated fill (507).

5.10 North-east/south-west aligned ditch 508 (Fig. 7, Sec. GG) was 0.75m wide and 0.36m deep, with a single undated fill (509). Ditch 508 was truncated on its south-eastern side by north-east/south-west aligned ditch 510, which was 1.07m wide and 0.25m deep, with single undated fill (511).

6. DISCUSSION

6.1 The evaluation recorded five north-east/south-west aligned ditches at the site. These ditches all corresponded to linear anomalies detected by the previous geophysical survey (Substrata 2018), with the exception of shallow ditch 309/506 (T3/T5).

6.2 The ditches were all undated artefactually but were on the same orientation as the extant field system. Ditch 403 (T4) and intercutting ditches 305/508 and 303/510 (T3/T5) correspond to field boundaries depicted on the 1843 tithe map of Bigbury. Ditch 403 had been removed by the time of the 1885 Ordnance Survey map, but the

boundary represented by ditches 305/508 and 303/510 remained in place until at least 1974.

7. CA PROJECT TEAM

7.1 Fieldwork was undertaken by Paul Clarke, assisted by Parris Stubbings and Tim Brown. This report was written by Paul Clarke. The report illustrations were prepared by Tom Brown. The project was managed for CA by Derek Evans.

8. REFERENCES

British Geological Survey 2018 *Geology of Britain Viewer* <http://www.bgs.ac.uk/discoveringGeology/geologyOfBritain/viewer.html> Accessed 27 November 2018

Cotswold Archaeology 2018 *Land adjacent to Holwell Farm, St. Ann's Chapel, Bigbury, Devon: Written Scheme of Investigation for an Archaeological Evaluation*

Ministry of Housing, Communities and Local Government 2018 *National Planning Policy Framework*

Oakford Archaeology 2018 *Archaeological assessment of land behind Holwell, Lane, St Ann's Chapel, Devon* Oakford Archaeology Report No. **18-05**

Substrata 2018 *An archaeological magnetometer survey St Ann's Chapel, Kingsbridge, Devon* Substrata Report No. **710ANN-R-1**



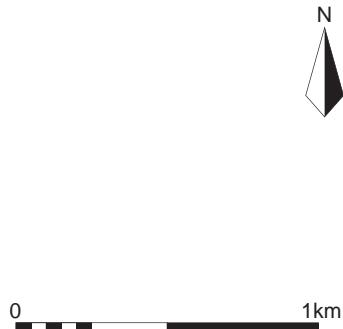
APPENDIX A: CONTEXT DESCRIPTIONS

Trench No.	Context No.	Type	Fill of	Context interpretation	Description	Width (m)	Depth/thickness (m)
1	100	Layer		Topsoil	Mid brownish grey loose sandy silt with rare shillet		0.26
1	101	Layer		Subsoil	Mid brown loose sandy silt with occasional shillet		0.14
1	102	Natural		Natural	Mid brownish orange loose sandy silt with abundant shillet		
2	200	Layer		Topsoil	Dark greyish brown loose sandy silt with rare stones		0.26
2	201	Layer		Subsoil	Dark brown loose sandy silt with occasional stones		0.14
2	202	Natural		Natural	Mid brownish orange silty sand with abundant shillet		
3	300	Layer		Topsoil	Dark brown sandy silt with occasional shillet		0.28
3	301	Layer		Subsoil	Dark yellowish brown sandy silt with occasional shillet		0.3
3	302	Natural		Natural	Yellowish brown sandy silt with abundant shillet inclusions		
3	303	Cut		Ditch	NE/SW linear with shallow concave sides and concave base	1.05	0.41
3	304	Fill	303	Silted fill	Dark yellowish brown loose sandy silt with occasional shillet	1.05	0.41
3	305	Cut		Ditch	NE/SW linear with moderate/straight sides and concave base	1.05	0.48
3	306	Fill	305	Silted fill	Mid yellowish brown loose sandy silt with rare shillet	1.05	0.48
3	307	Cut		Ditch	NE/SW linear with steep/convex sides and flat base	1.30	0.72
3	308	Fill	307	Silted fill	Mid greyish brown friable silty clay with common shillet and rare charcoal	1.30	0.72
3	309	Cut		Ditch	NE/SW linear with shallow/straight sides and concave base	0.41	0.11
3	310	Fill	309	Silted fill	Light yellowish brown loose sandy silt with rare shillet	0.41	0.11
4	400	Layer		Topsoil	Dark greyish brown loose sandy silt with rare stones		0.22
4	401	Layer		Subsoil	Dark brown loose sandy silt with rare shillet		0.14
4	402	Natural		Natural	Mid brownish orange loose sandy silt with frequent shillet		
4	403	Cut		Ditch	NE/SW linear with steep concave sides, step on NW side, and concave base	1.6	0.71
4	404	Fill	403	Silted fill	Mid greyish brown loose sandy silt with abundant shillet and rare charcoal	0.69	0.29
4	405	Fill	403	Silted fill	Mid greyish brown loose sandy silt with occasional shillet and rare charcoal	1.6	0.48
5	500	Layer		Topsoil	Dark greyish brown loose sandy silt with rare shillet		0.3
5	501	Layer		Subsoil	Mid brown loose sandy silt with occasional stones		0.14
5	502	Natural		Natural	Mid brownish orange loose sandy silt with abundant shillet		
5	503	Cut		Ditch	NE/SW linear with steep/concave sides and concave base	1.27	0.67
5	504	Fill	503	Silted fill	Mid yellowish brown loose sandy silt with occasional shillet	0.51	0.21
5	505	Fill	503	Silted fill	Mid pinkish brown loose sandy silt with rare shillet and rare charcoal	1.27	0.67
5	506	Cut		Ditch	NE/SW linear with steep concave sides and concave base	0.62	0.22
5	507	Fill	506	Silted fill	Mid orangey brown loose sandy silt with occasional shillet	0.62	0.22

Trench No.	Context No.	Type	Fill of	Context interpretation	Description	Width (m)	Depth/thickness (m)
5	508	Cut		Ditch	NE/SW linear with steep/straight sides and concave base	0.75	0.36
5	509	Fill	508	Silted fill	Mid yellowish brown loose sandy silt with occasional shillet inclusions	0.75	0.36
5	510	Cut		Ditch	NE/SW linear with moderate/concave sides and concave base	1.07	0.25
5	511	Fill	510	Silted fill	Dark yellowish brown loose sandy silt with common shillet	1.07	0.25
6	600	Layer		Topsoil	Dark greyish brown loose sandy silt with rare shillet		0.26
6	601	Layer		Subsoil	Mid brown loose sandy silt with occasional shillet		0.16
6	602	Natural		Natural	Mid brownish orange loose sandy silt with frequent shillet		
7	700	Layer		Topsoil	Dark greyish brown loose sandy silt with rare stones		0.24
7	701	Layer		Subsoil	Dark brown loose sandy silt with occasional shillet		0.28
7	702	Natural		Natural	Mid brownish orange loose sandy silt with frequent shillet		
8	800	Layer		Topsoil	Dark greyish brown loose silty sand with rare stones		0.3
8	801	Layer		Subsoil	Mid greyish brown loose sandy silt with occasional stones		0.42
8	802	Natural		Natural	Light orangey brown loose sandy silt with rare stones		

APPENDIX B: OASIS REPORT FORM

PROJECT DETAILS		
Project name	Land adjacent to Holwell Farm, St. Ann's Chapel, Devon	
Short description	<p>In November 2018, Cotswold Archaeology carried out an archaeological evaluation of land adjacent to Holwell Farm, St. Ann's Chapel, Bigbury, Devon. A total of eight trenches was excavated within the site.</p> <p>The evaluation recorded five north-east/south-west aligned ditches. These were all undated artefactually but were on the same orientation as the extant field system. Three of the ditches correspond to field boundaries depicted on 19th and 20th century cartographic sources.</p>	
Project dates	14–15 November 2018	
Project type	Field evaluation	
Previous work	Geophysical survey (Substrata 2018) Desk-based assessment (Oakford Archaeology 2018)	
Future work	Unknown	
PROJECT LOCATION		
Site location	St. Ann's Chapel, Bigbury, Devon	
Study area (m ² /ha)	0.45ha	
Site co-ordinates	266360 047300	
PROJECT CREATORS		
Name of organisation	Cotswold Archaeology	
Project brief originator	N/A	
Project design (WSI) originator	Cotswold Archaeology	
Project Manager	Derek Evans	
Project Supervisor	Paul Clarke	
MONUMENT TYPE	None	
SIGNIFICANT FINDS	None	
PROJECT ARCHIVES		
	Intended final location of archive	Content
Physical	N/A	N/A
Paper	N/A	N/A
Digital	N/A	N/A
BIBLIOGRAPHY		
Cotswold Archaeology 2018 <i>Land adjacent to Holwell Farm, St. Ann's Chapel, Devon: Archaeological Evaluation</i> CA typescript report 18707		



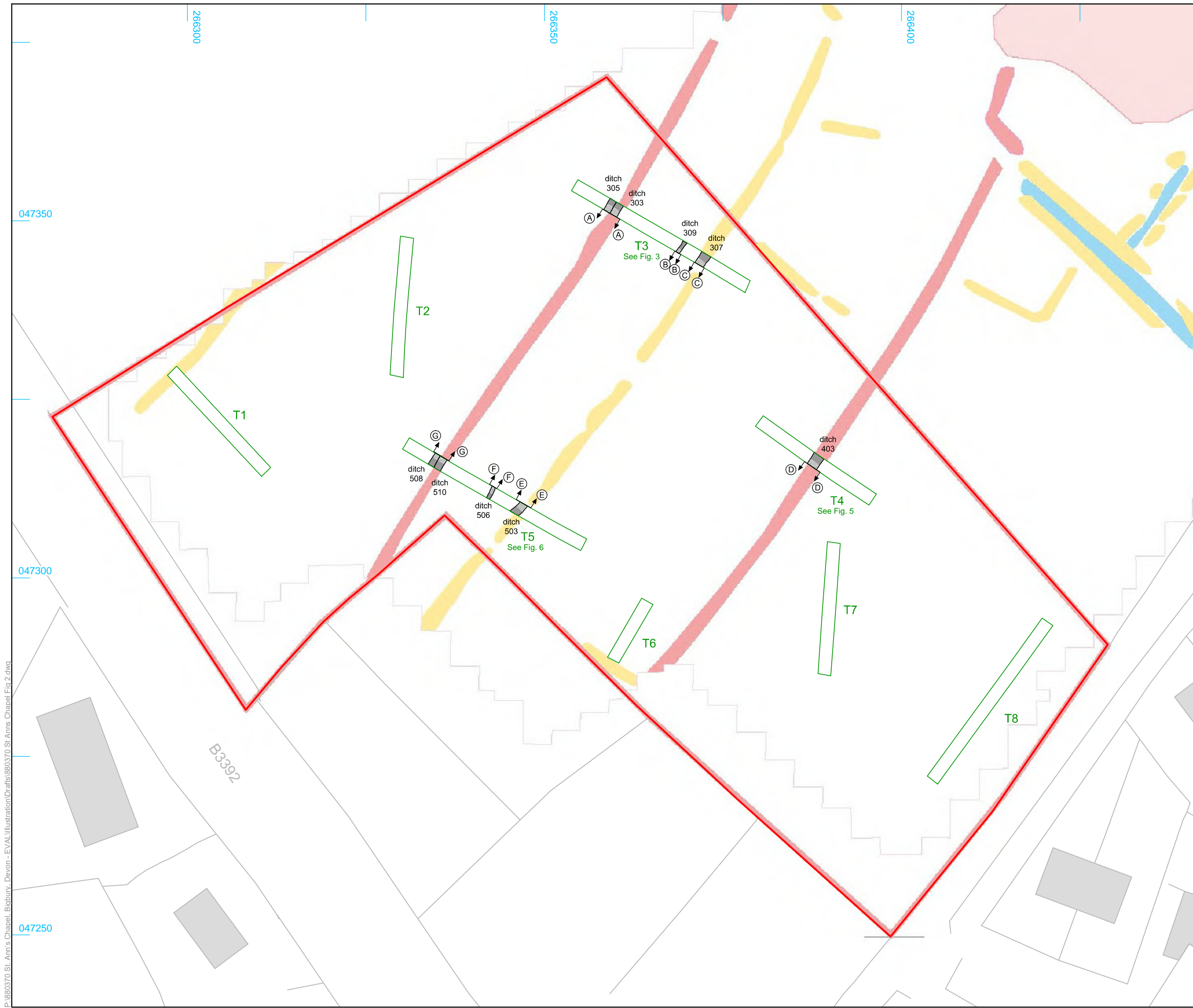
Cotswold Archaeology
 Andover 01264 347630
 Cirencester 01285 771022
 Exeter 01392 573970
 Milton Keynes 01908 564660
 www.cotswoldarchaeology.co.uk
 enquiries@cotswoldarchaeology.co.uk

PROJECT TITLE
 Land adjacent to Holwell Farm, St. Ann's Chapel, Devon

FIGURE TITLE
 Site location plan

DRAWN BY TB **PROJECT NO.** 880370 **FIGURE NO.**
CHECKED BY DJB **DATE** 23.11.18 **1**
APPROVED BY DE **SCALE@A4** 1:25,000

© Crown copyright and database rights 2018
 Ordnance Survey 0100031673



- site boundary
- evaluation trench
- cut feature (excavated/unexcavated)
- ⓐ ⓑ section location

Geophysical survey results

- Substrata 2018
- likely positive
 - likely enhanced
 - possible positive
 - possible negative
 - possible enhanced



© Crown copyright and database rights 2018 Ordnance Survey 0100031673

Cotswold Archaeology

Andover 01264 347630
 Cirencester 01285 771022
 Exeter 01392 826185
 Milton Keynes 01908 564660
 www.cotswoldarchaeology.co.uk
 enquiries@cotswoldarchaeology.co.uk

PROJECT TITLE
 Land adjacent to Holwell Farm, St. Ann's Chapel, Devon

FIGURE TITLE
Trench plan showing archaeological features and geophysical survey results

DRAWN BY	TB	PROJECT NO.	880370	FIGURE NO.
CHECKED BY	DJB	DATE	23.11.18	2
APPROVED BY	DE	SCALE @A3	1:500	

P:\880370 St. Ann's Chapel, Bigbury, Devon - EVAL\Illustration\Drafts\880370 St. Ann's Chapel Fig 2.dwg

047350
266300
266350
266400
047300
047250




B3392

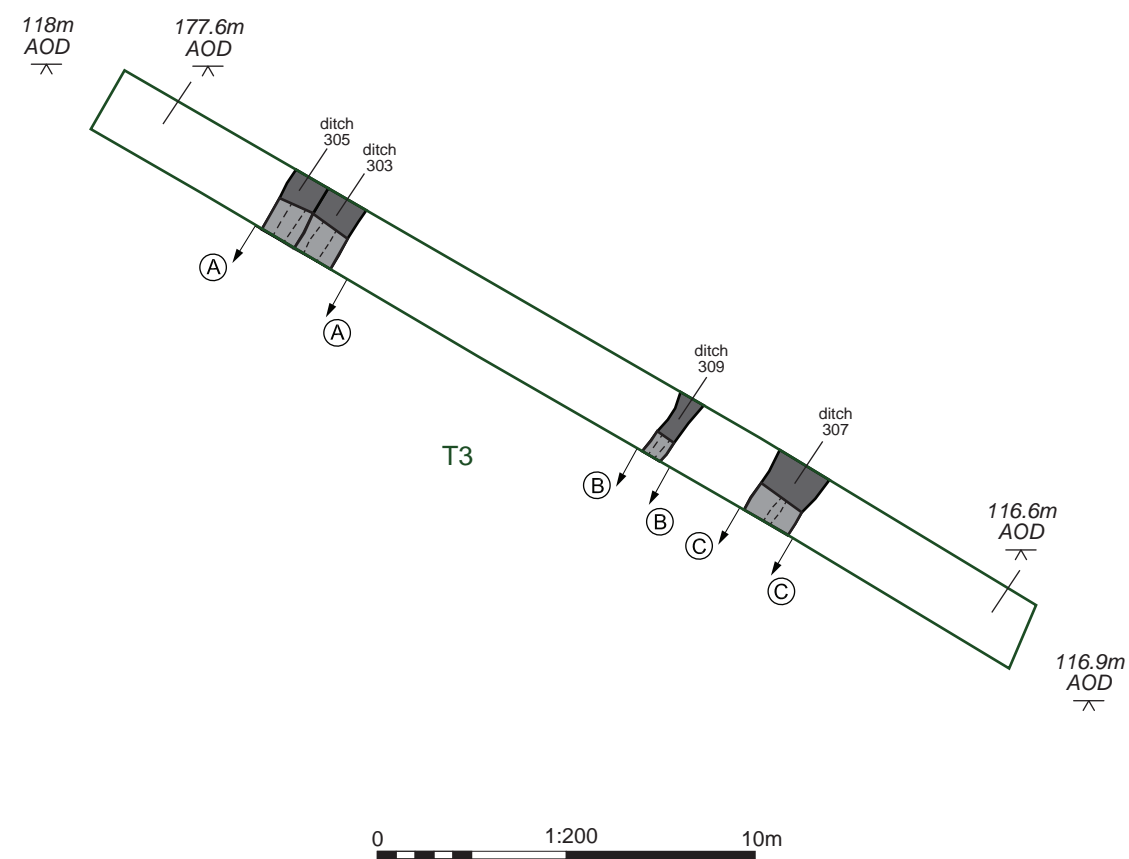
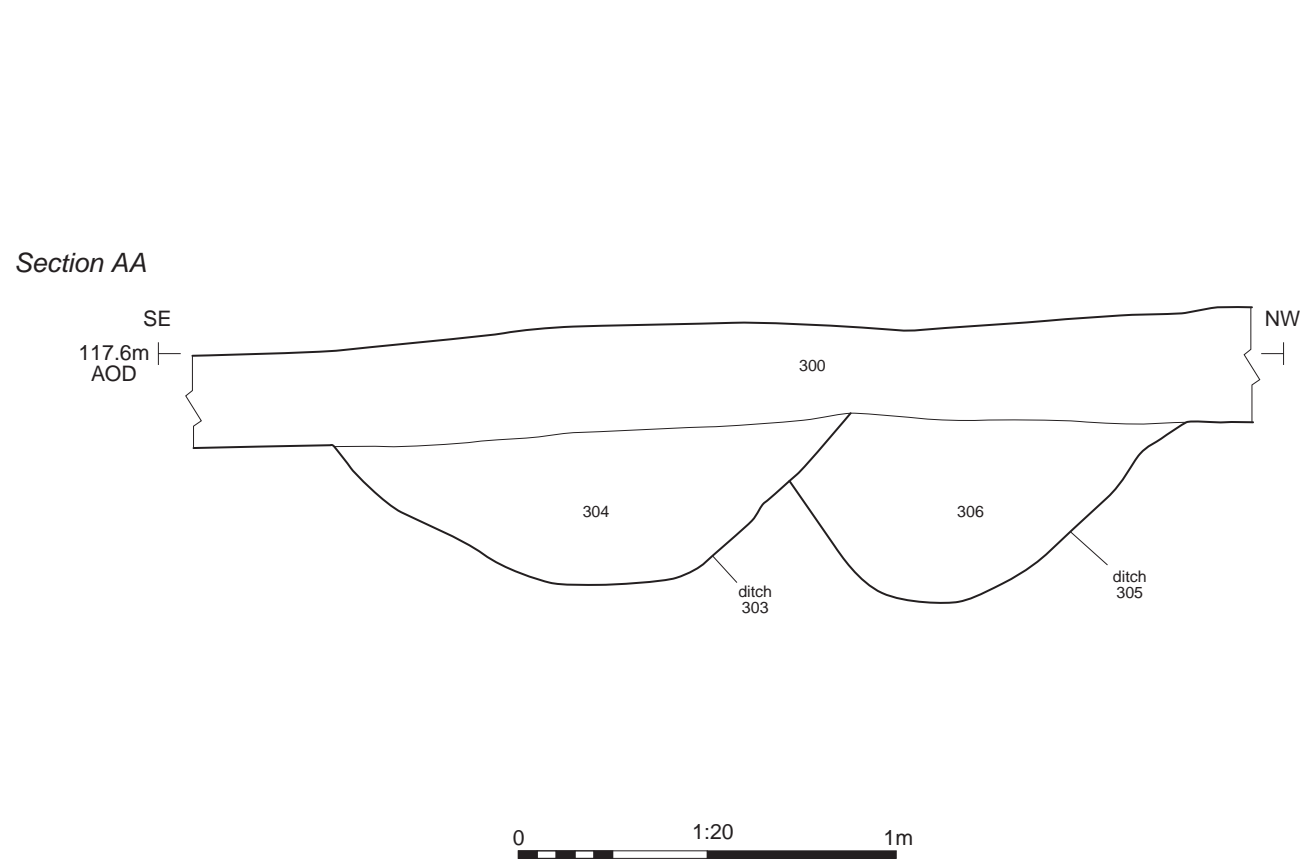


Ditches 303 and 305, looking south-west (1m scale)



Trench 3 overview, looking south-east (1m scales)

-  Evaluation trench
-  Archaeological feature (excavated/unexcavated)
-  Section location



 Cotswold Archaeology

Andover 01264 347630
 Cirencester 01285 771022
 Exeter 01392 573970
 Milton Keynes 01908 564660
 www.cotswoldarchaeology.co.uk
 enquiries@cotswoldarchaeology.co.uk

PROJECT TITLE
 Land adjacent to Holwell Farm, St. Ann's Chapel, Devon

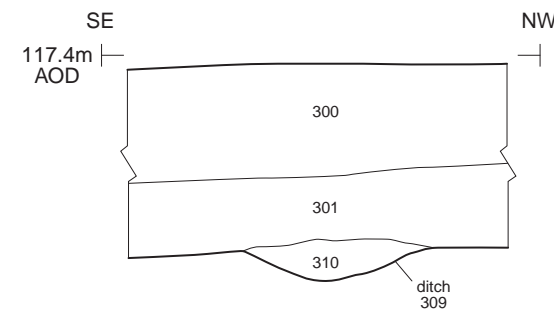
FIGURE TITLE
 Trench 3: plan, section & photographs

DRAWN BY	TB	PROJECT NO.	880370	FIGURE NO.
CHECKED BY	DJB	DATE	26.11.18	3
APPROVED BY	DE	SCALE@A3	1:200 & 20	



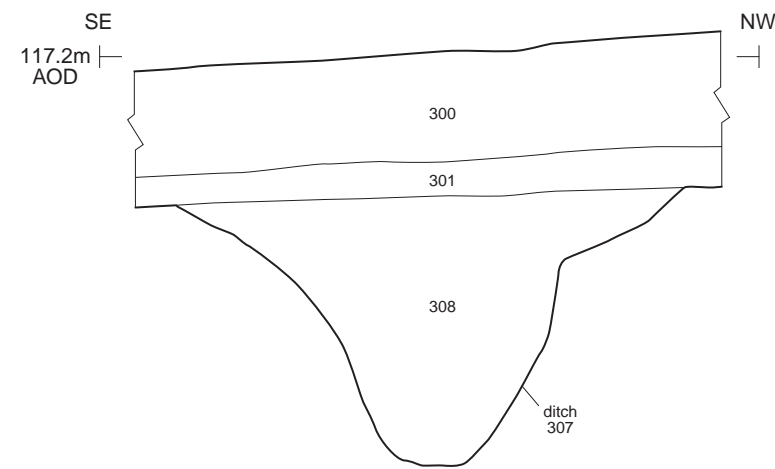
Ditch 309, looking south-west (0.3m scale)

Section BB



Ditch 307, looking south-west (1m scale)

Section CC








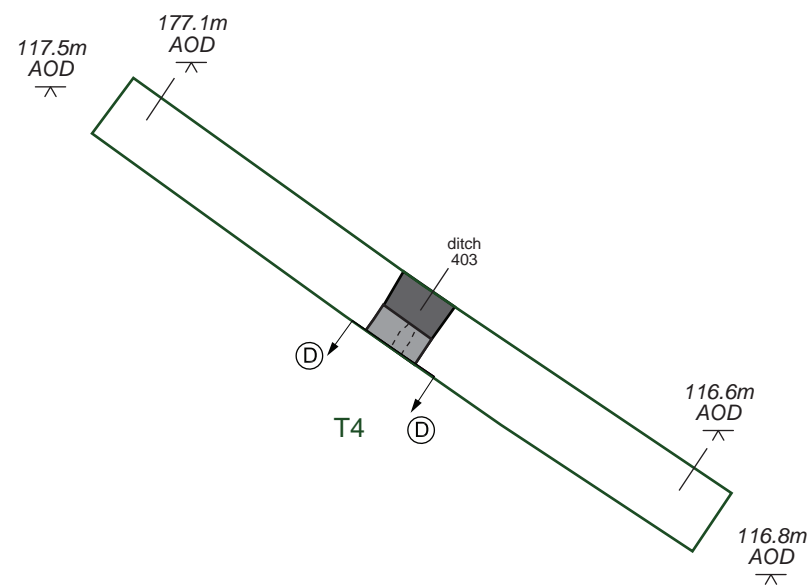
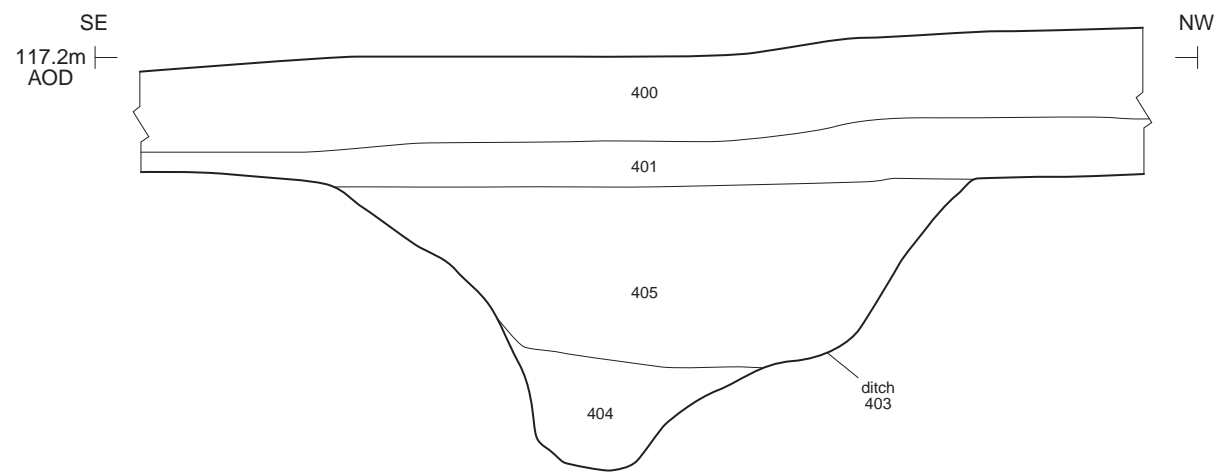
Ditch 403, looking south-west (1m scale)



Trench 4 overview, looking north-west (1m scales)

-  Evaluation trench
-  Archaeological feature (excavated/unexcavated)
-  Section location

Section DD




Cotswold Archaeology
 Andover 01264 347630
 Cirencester 01285 771022
 Exeter 01392 573970
 Milton Keynes 01908 564660
 www.cotswoldarchaeology.co.uk
 enquiries@cotswoldarchaeology.co.uk

PROJECT TITLE
 Land adjacent to Holwell Farm, St. Ann's Chapel, Devon

FIGURE TITLE
 Trench 4: plan, section & photographs

DRAWN BY	TB	PROJECT NO.	880370	FIGURE NO.
CHECKED BY	DJB	DATE	26.11.18	5
APPROVED BY	DE	SCALE@A3	1:200 & 20	



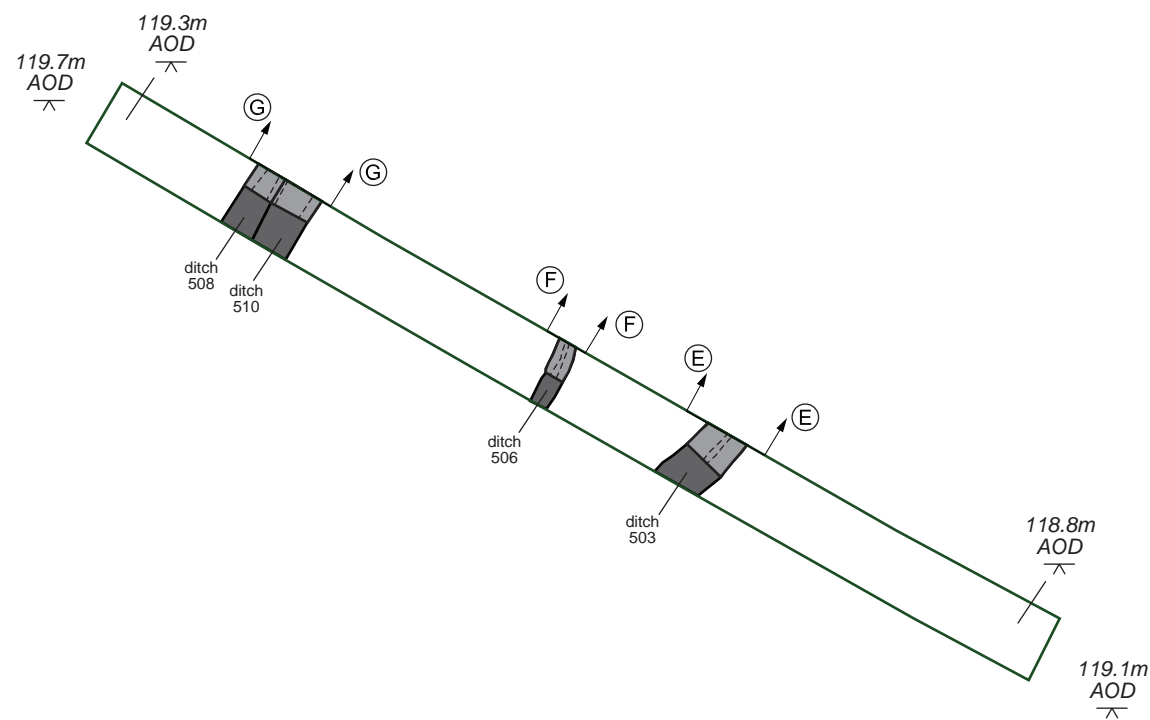
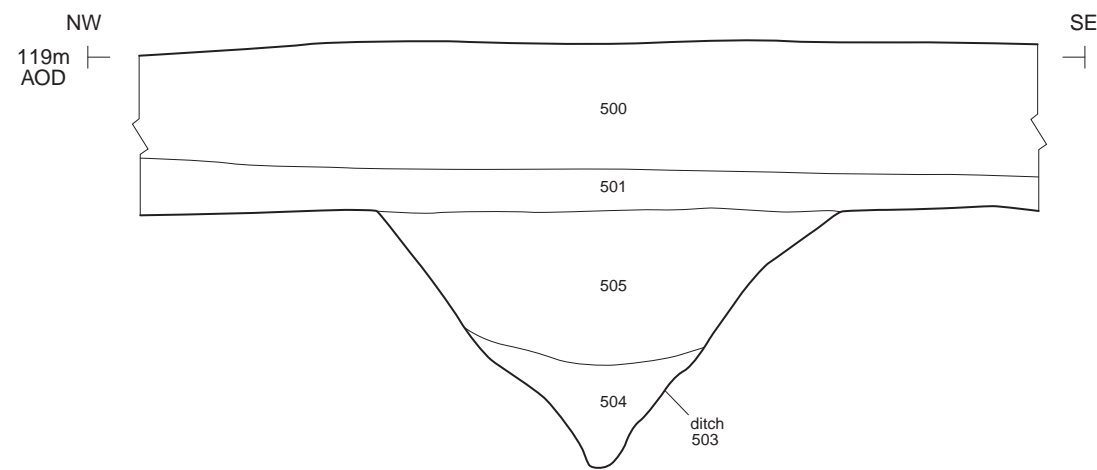
Ditch 503, looking north-east (1m scale)



Trench 5 overview, looking south-east (1m scales)

- Evaluation trench
- Archaeological feature (excavated/unexcavated)
- Section location

Section EE



Cotswold Archaeology
 Andover 01264 347630
 Cirencester 01285 771022
 Exeter 01392 573970
 Milton Keynes 01908 564660
 www.cotswoldarchaeology.co.uk
 enquiries@cotswoldarchaeology.co.uk

PROJECT TITLE
 Land adjacent to Holwell Farm, St. Ann's Chapel, Devon

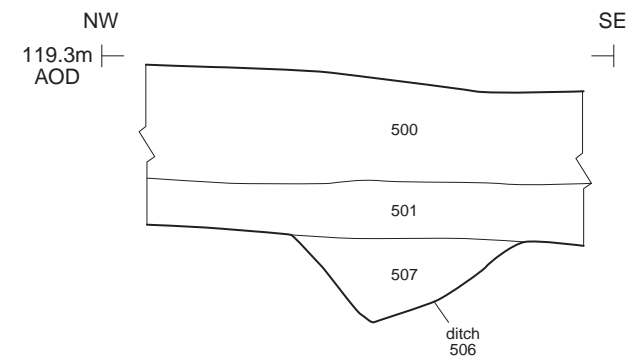
FIGURE TITLE
 Trench 5: plan, section & photographs

DRAWN BY TB PROJECT NO. 880370 FIGURE NO.
 CHECKED BY DJB DATE 26.11.18
 APPROVED BY DE SCALE@A3 1:200 & 20 6



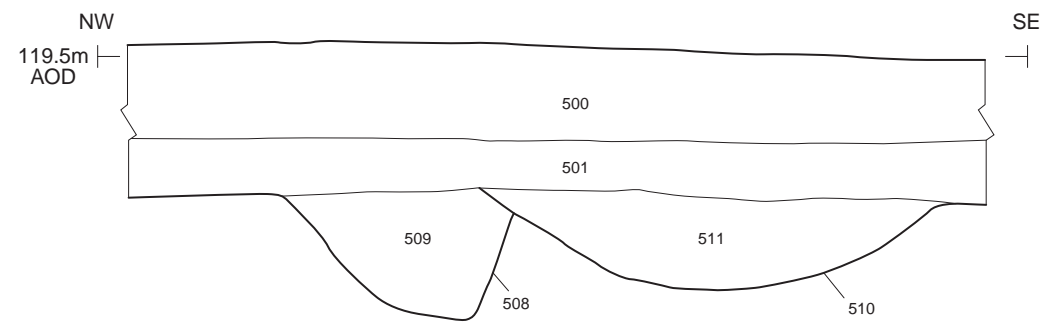
Ditch 506, looking north-east (0.3m scale)

Section FF



Ditches 508 and 510, looking north-east (1m scale)

Section GG



Andover Office

Stanley House
Walworth Road
Andover
Hampshire
SP10 5LH

t: 01264 347630

Cirencester Office

Building 11
Kemble Enterprise Park
Cirencester
Gloucestershire
GL7 6BQ

t: 01285 771022

Exeter Office

Unit 1
Clyst Units
Cofton Road
Marsh Barton
Exeter
EX2 8QW

t: 01392 573970

Milton Keynes Office

Unit 8 - The IO Centre
Fingle Drive
Stonebridge
Milton Keynes
Buckinghamshire
MK13 0AT

t: 01908 564660

e: enquiries@cotswoldarchaeology.co.uk

