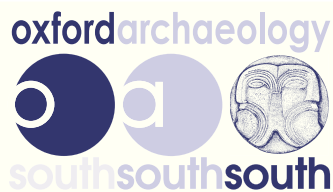


Culham Court, Remenham, Berkshire



Archaeological Evaluation and Watching Brief Report



October 2011

Client: Symm and Company Ltd

Issue No: 1

OA Job No: 5101/5113

NGR: SU 7889 8381



Client Name: Symm and Company Ltd
Client Ref No:
Document Title: Culham Court, Remenham, Berkshire
Document Type: Evaluation and Watching Brief Report
Issue/Version Number: 1
Grid Reference: SU 7889 8381
Planning Reference: F/2011/0320
OA Job Number: 5101/5113
Site Code: RECUCO 11
Invoice Code: RECUCO EV, RECUCO WB
Receiving Museum: No receiving museum
Museum Accession No: N/A
Event No:

Issue	Prepared by	Checked by	Approved by	Signature
1	Katrina Anker Project Officer	Edward Biddulph Senior Project Manager	Edward Biddulph Senior Project Manager	

Document File Location X:\Culham court, Berks\002Reports\001ColatedReport\001Current
Graphics File Location Server8\invoice codes r thru z\R_codes\Culham Court*RECUCOEV
Illustrated by Lucy Offord and Emily Plunkett

Disclaimer:

This document has been prepared for the titled project or named part thereof and should not be relied upon or used for any other project without an independent check being carried out as to its suitability and prior written authority of Oxford Archaeology being obtained. Oxford Archaeology accepts no responsibility or liability for the consequences of this document being used for a purpose other than the purposes for which it was commissioned. Any person/party using or relying on the document for such other purposes agrees, and will by such use or reliance be taken to confirm their agreement to indemnify Oxford Archaeology for all loss or damage resulting therefrom. Oxford Archaeology accepts no responsibility or liability for this document to any party other than the person/party by whom it was commissioned.

© Oxford Archaeological Unit Ltd 2011

Janus House

Osney Mead

Oxford OX2 0ES

t: +44 (0) 1865 263800

e: oasouth@thehumanjourney.net

f: +44 (0) 1865 793496

w: oasouth.thehumanjourney.net

Oxford Archaeological Unit Limited is a Registered Charity No: 285627



Culham Court, Remenham, Berkshire

Archaeological Evaluation and Watching Brief Report

Written by Katrina Anker

with contributions from John Cotter, Geraldine Crann and Ian Scott. Illustrated by Lucy Offord and Emily Plunkett

Table of Contents

Summary.....	4
1 Introduction.....	5
1.1 Scope of work.....	5
1.2 Location, topography and geology.....	5
1.3 Archaeological and historical background.....	6
2 Aims and Methodology.....	8
2.1 Aims.....	8
2.2 Evaluation methodology.....	8
2.3 Watching brief methodology.....	9
3 Results.....	10
3.1 Introduction and presentation of results.....	10
3.2 General soils and ground conditions.....	10
3.3 General distribution of archaeological deposits.....	10
3.4 The archaeological features (figures 2 and 3).....	10
4 Discussion.....	13
4.1 Reliability of field investigation.....	13
4.2 Investigation objectives and results.....	13
4.3 Interpretation.....	13
4.4 Significance.....	14
Appendix A. Trench Descriptions and Context Inventory.....	15
Appendix B. Watching Brief Context Inventory.....	16
Appendix C. Matrix.....	18
Appendix D. Finds Reports.....	19



D.1 Pottery.....	19
D.2 Ceramic Building Material.....	20
D.3 Clay pipe.....	21
D.4 Glass.....	21
D.5 Flint.....	22
D.6 Burnt unworked flint.....	22
D.7 Stone.....	22
Appendix E. Acknowledgements.....	23
Appendix F. Bibliography and References.....	23
Appendix G. Summary of Site Details.....	24



List of Figures

Fig. 1	Site location
Fig. 2	Site plan
Fig. 3	Sections
Fig. 4	Ovoid path
Plate 1	Area of investigation
Plate 2	Ditch 104, section 101
Plate 3	Section 206: existing bank



Summary

In July 2011 Oxford Archaeology (OA) conducted an archaeological field evaluation at Culham Court, Remenham, Berkshire. The work was commissioned by Symm and Company Ltd, on behalf of the owners, as a result of planning conditions attached to a proposed basement extension to the house.

A desk-based assessment, undertaken by OA prior to the evaluation, established that although there was activity in the wider area ranging from prehistoric to post-medieval, there was limited evidence for activity at the proposed development site. Previous archaeological investigation at Culham Court was limited to three evaluation trenches excavated at the south of the house prior to an earlier phase of basement extension.

The current evaluation, situated to the west of the house, consisting of a single 14 x 1.8m evaluation trench, revealed a substantial undated NE-SW aligned ditch and a possible pit containing a single fragment of 19th-20th century window glass and interpreted as the remains of a former landscaping feature. An abraded, fragment of late Iron Age - early Roman grog tempered pottery was recovered from the topsoil of the evaluation trench. As a result of the findings of the evaluation, Mary Neale of Berkshire Archaeology requested a watching brief to be conducted during the initial construction phase of the basement. The watching brief revealed several post-medieval archaeological features within the area in addition to the ditch discovered during the evaluation.

The results of the watching brief demonstrated that the substantial ditch, interpreted as a boundary ditch, was stratigraphically the earliest feature encountered within the area. The remaining features consisted of two mid-late 19th century shallow ditches, one associated with the existing yew tree hedge, a curvilinear ditch encircling a tree stump interpreted as a garden feature, two discrete features, probably the remains of tree boles and a curvilinear ditch filled with loose chalk rubble, probably the remains of the 19th century ovoid path encircling the terrace immediately to the north of the house and removed in the 1960s.



1 INTRODUCTION

1.1 Scope of work

- 1.1.1 Oxford Archaeology was commissioned by Symm and Company Ltd, on behalf of the owner, to undertake an archaeological evaluation and subsequent watching brief at the site of a proposed family office suite at Culham Court in July 2011.
- 1.1.2 The development is a basement extension and associated landscape remodelling, located to the west of the existing house and is centred on National Grid Reference SU 7889 8381. The office suite will lie beneath an existing hedge and bank, part of which will be removed during construction and subsequently reinstated. Construction impacts will be to a depth of c 4.5m below current ground level, which will have a major impact on any below ground archaeological remains, removing them completely. Access to the office will be via the lower ground floor of the house and from the existing sunken kitchen courtyard. Archaeological remains in these areas will have already been truncated away during previous construction and at this location the development will have no further impact.
- 1.1.3 The evaluation and watching brief was undertaken as a condition of Planning Permission (planning reference: F/2011/0320). Although the Local Planning Authority did not set a brief for the work, discussions with Mary Neale of Berkshire Archaeology established the scope of work required which was outlined in a written scheme of investigation (WSI) (OA 2011b).
- 1.1.4 The evaluation consisted of a single 14 x 1.8m trench, extended beyond its proposed length of 12m to avoid services and clarify potential archaeological deposits. The WSI specified the location of the trench within the development footprint. However, the presence of unmarked services during excavation required the trench to be relocated, moving the trench slightly outside of the development footprint.
- 1.1.5 As the evaluation revealed a single, wide, undated, ditch, Mary Neale requested a watching brief within the footprint of the basement development area during the initial construction works. The methodology for the watching brief was documented in an addendum to the WSI, which was approved by Mary Neale.
- 1.1.6 The watching brief commenced three days after the completion of the evaluation. Removal of topsoil and subsoil was monitored by an attending archaeologist down to the natural chalk geology or the first significant archaeological horizon, whichever was encountered first. As archaeological remains were encountered, further development work within the basement footprint ceased until the exposed archaeological remains were sample excavated and recorded.
- 1.1.7 This report combines the results from the evaluation and watching brief.

1.2 Location, topography and geology

- 1.2.1 Culham Court Estate is located in the north part of Remenham parish, on the south bank of the River Thames, approximately 2km east of Henley-on-Thames (Fig. 1). The house is positioned on the hillside which slopes down to the river, along the north side of the estate. The house is situated on a level terrace, at approximately 50m OD, with further terraces and formal planting below it.
- 1.2.2 The area of proposed development lies immediately to the west of the existing sunken courtyard on the west side of Culham Court, and extends below a yew hedge with lawn



on the south side. The area is roughly level, although the western end has been built up forming a grass terrace (Plate 1).

- 1.2.3 The geology of the area is Upper Chalk (British Geological Survey, Sheet 254).

1.3 Archaeological and historical background

- 1.3.1 The archaeological and historical background to the site has been described in detail in a desk-based assessment (OA 2011a), and is briefly summarised below.

Prehistoric Period (10 000 BP - 43 AD)

- 1.3.2 No archaeological remains of this period have been found within the area of proposed development.
- 1.3.3 Several Neolithic pits and flints were identified along the line of the Nuffield to Ascot pipeline in 1983. One pit, c 800m west of Culham Court, contained Neolithic pottery sherds.
- 1.3.4 Two Bronze Age ring ditches have been identified c 1.2km to the north-west and c 1km to the north of Culham Court.
- 1.3.5 Evidence for Iron Age activity in the area is limited. An early Iron Age spearhead was recovered from the River Thames c 200m to the north, and excavations at Park Place, c 1.2km south west, found evidence for occupation during this period.

Roman Period (43 AD - 410 AD)

- 1.3.6 A Roman fibula brooch was found by a metal detectorist within the estate, c 400m south east of the development area.
- 1.3.7 Two Roman villa sites have been identified by an examination of aerial photographs within the 1km study area. Both are situated on the lower ground, close to the River Thames, c 1km north and c 1.2km north west of the development area.
- 1.3.8 The route of the proposed Roman road from Dorchester-on-Thames to Wargrave passes within c 2.5km of the site.

Early Medieval Period (AD 410 - 1066)

- 1.3.9 Little evidence for activity of this period is recorded within a 1km radius around the site. An isolated burial containing grave goods, but with no associated settlement activity, was found at Aston Rise, c 700m north west of the site.
- 1.3.10 Culham was probably part of the manor at Wargrave during this time.

Later Medieval Period (AD 1066 - 1550)

- 1.3.11 A manor of Culham was first mentioned in the 13th century when it formed part of Walgrave Manor and is thought to have remained so until the 17th century. A house called Culham Court was in existence by 1616, but there is no evidence suggesting a location.
- 1.3.12 Historic maps suggest the general area was under cultivation during the medieval period. The hamlet of Aston, c 800m north west of the area, may have existed during this period, or have grown up around nearby 16th century Aston Farm.

**Post Medieval (AD 1550 - 1850)**

- 1.3.13 The earliest available map to include the Culham area is Norden's Map of the Forest of Wendsor, 1607, although the estate is not shown.
- 1.3.14 In 1616 Culham Manor and a house called Culham Court were sold. It is unknown whether Culham Court dates from the medieval period as its location was not recorded. There is no record of rebuilding in the early post-medieval period and the house was probably that shown on Rocques Map of 1761, the first available map to show a house at Culham Court. The house is situated in the same area as the existing house.
- 1.3.15 In 1771, the present house was built, apparently on the same site as an earlier structure, following a fire.

Early Modern Period (AD 1851 - present)

- 1.3.16 The 1st Edition Ordnance Survey Map of 1883 shows a narrow terrace along the north side of Culham Court, with a rectangular terrace below it on the river side of the house. There is a path around it, following an ovoid route, which crosses the development area. The 2nd edition of 1890 and subsequent editions up to 1960 show this layout, but with another rectangular terrace below the first, towards the river. Photographs from 1935 show walls around the terrace and a formal planted garden below it. A hedge ran across the development area, probably enclosing the path.
- 1.3.17 The gardens were remodelled in the 1960s. The ovoid path was removed and the terrace replaced by a brick-walled ovoid terrace connected by steps to the lower terraces, leading to a landing stage on the river. To the east of the terraces, a swimming pool was constructed. The development area is shown as a grassed with a hedge along the south on maps from 1962 onwards.

Previous Archaeological Investigations at the site

- 1.3.18 Previous archaeological investigation at Culham Court is limited. A single archaeological evaluation was conducted in 2007 by Thames Valley Archaeological Services (TVAS) in advance of a basement extension. The site, situated on the south side of the house uncovered an undated buried soil horizon and a brick-built chamber, possibly a silt trap.



2 AIMS AND METHODOLOGY

2.1 Aims

2.1.1 The aim of the evaluation was to:

- (i) determine the existence or absence of any archaeological remains;
- (ii) determine the approximate date or date range of the remains, by means of artefactual or other evidence;
- (iii) determine the approximate extent of the remains;
- (iv) determine the condition and state of preservation of the remains;
- (v) determine the degree of complexity of the horizontal and/or vertical stratigraphy present;
- (vi) assess the associations and implications of any remains encountered with reference to the historic landscape;
- (vii) determine the implications of the remains encountered with reference to economy, status, utility and social activity;
- (viii) to determine the likely range, quality and quantity of the artefactual evidence present;
- (ix) determine the potential of the site to provide palaeo-environmental and/or economic evidence and the forms in which such evidence may be present.

2.1.2 The aim of the watching brief was to:

- (i) identify and record any archaeological remains revealed by the groundwork;
- (ii) determine and understand the date, nature, function and character of the archaeological site in its cultural and environmental setting;
- (iii) characterise the ditch and any associated features;
- (iv) ensure that any archaeological remains within the development area are identified and to mitigate the negative impacts of the developments and construction process upon any such remains by making a record (where preservation *in situ* is not possible) and seeking to understand them.

2.2 Evaluation methodology

2.2.1 The site specific methodology for the evaluation was as follows:

- (i) A single 12 x 1.8m trench was be excavated within the footprint of the proposed development (Fig. 2). The trench was relocated slightly from its original location to avoid an active, unmarked, irrigation service pipe. The new trench location was subsequently extended at its western end to avoid the same irrigation pipe which changed orientation to cross the new trench location and to clarify the extent of a discrete feature. The extended trench measured approximately 14 x 1.8m.
- (ii) The trench was excavated to the first significant archaeological horizon or the natural geology, whichever was encountered first.
- (iii) As pleistocene or other deposits of geoarchaeological interest were not encountered, OA's geoarchaeological department was not required to attend site.



2.3 Watching brief methodology

- 2.3.1 The area of excavation was set out by an engineer from Symm and Company Ltd and covered an area of approximately 275 square metres (Fig. 2).
- 2.3.2 The watching brief was maintained during the period of ground-works that had the potential to affect or reveal archaeological deposits.
- 2.3.3 Topsoil and subsoil were removed by mechanical excavator using a toothless ditching bucket under the direction of an archaeologist. Soils were excavated in successive spits down to the top of the natural geology or the top of the archaeological horizon, whichever was encountered first. All machine stripping was carried out under the direct control of the archaeological team and at a speed which left a good standard of finished surface. Areas of the site where visual inspection suggested the presence of features or possible features were hand-cleaned, where necessary, to ensure the features were sufficiently defined to produce a base plan.
- 2.3.4 Upon discovery of archaeological remains, all ground-works with the potential to affect these remains were halted and the attending archaeologists were given sufficient time and space to carry out the agreed mitigation procedures.
- 2.3.5 Excavation of exposed archaeological features was undertaken to fulfil the basic objective of retrieval of archaeological data affected by the works. Features and deposits were issued with unique context numbers and recording was in accordance with the established *OA Field Manual* (Wilkinson, 1992). Colour side and black-and-white negative photographs were taken of all features. Digital photographs of features and the wider area were also taken.
- 2.3.6 Hand excavation and recording was according to the sampling strategy outlined in the WSI addendum.



3 RESULTS

3.1 Introduction and presentation of results

- 3.1.1 The results of the evaluation and watching brief will be discussed together below. Detailed context descriptions and matrices are presented in the appendices (Appendix A and B) and within the descriptive text in Section 3.3 where necessary.
- 3.1.2 Finds are discussed in Section 3.3 and full finds reports and tables are included in Appendix C.

3.2 General soils and ground conditions

- 3.2.1 Archaeological features in both the evaluation and watching brief were visible in both the natural chalk and the light yellow yellow brown silt subsoil, where present, which was overlain by topsoil. Tree roots were present, particularly along the line of the yew hedge, which had been cut down within the development footprint prior to excavation. The tree stumps were removed as carefully as possible during the excavation using the mechanical excavator. Subsoil was shallowest to the south of the development, where previous landscaping had taken place. In places, this landscaping appeared to have entirely removed the subsoil. A small abraded fragment of late Iron Age/early Roman pottery was recovered from the topsoil during the evaluation.
- 3.2.2 Ground conditions were good. Several services were encountered, including the existing irrigation service for the garden, power and telecommunication cables. Live services were left *in situ* at the request of the client.

3.3 General distribution of archaeological deposits

- 3.3.1 The evaluation revealed a single undated ditch, aligned broadly NE-SW, and a shallow sub-rectangular feature containing modern window glass, most likely a former garden feature.
- 3.3.2 The watching brief recorded seven features, including the undated ditch observed in the evaluation trench; a small circular ditch surrounding a tree stump, two discrete features interpreted as the remains of tree holes, and three linear features.

3.4 The archaeological features (figures 2 and 3)

- 3.4.1 Discrete feature 108 was situated at the western limit of the evaluation trench. This probable rectangular pit, extending beyond the southern trench edge and was not observed during the watching brief. It measured 1m x 1.30m and was 0.20m deep with an irregular base and was filled with two deposits. The lower deposit, 109, was a dark brown grey silty clay with a similar composition to the modern topsoil with the addition of rare inclusions of fragments of coal and occasional chalk flecks. A single fragment of late 19th/20th century window glass was recovered from this deposit. This deposit was overlain by context 110, a light yellow brown silt with frequent small fragments of chalk. The feature was interpreted as the remains of a former garden feature due to the irregular nature of the base of the feature and its topsoil-like lower deposit. It was also truncated by landscaping works.
- 3.4.2 At the eastern end of the evaluation trench was a substantial ditch, approximately 1.20m deep and measuring 3.50m wide in an oblique section. This 'V' shaped ditch was also seen in the watching brief and recorded as group 227.



- 3.4.3 Two excavated sections were placed through the feature, one predominantly by machine in the evaluation trench and the second by hand in the watching brief (Fig. 3, section 200; Plate 2). The earliest deposit within the ditch was a friable light yellow brown sandy silt with occasional small lumps of chalk and medium sized flints (105/201). It ranged in thickness between 0.25 and 0.40m. This undated fill was interpreted as the primary fill of the ditch which formed rapidly after the initial excavation of the ditch as a result of erosion and stabilisation of the surrounding sides. It was overlain by a 0.41-0.56m thick, undated, mid grey brown sandy silt with frequent medium sized, poorly sorted, sub-angular flints (106/202). The uppermost fill, appearing in section 200 only, was a dark brown grey silt with rare small chalk lumps throughout and flint nodules (203). The deposit appeared to be a deliberate backfill, probably a result of levelling out the ditch prior to landscaping associated with the current house. It contained animal bone, glass, ceramic building material and pottery dating broadly to the late 19th-20th century.
- 3.4.4 Ditch group 227 was cut by ditch 214, ditch 212 and curvilinear group 228. Ditch 212 is likely to be associated with the existing yew tree hedge-line and cuts through the existing bank. It is on the same NW-SE alignment and contained a single friable brown silt deposit (213) containing frequent tree roots (Fig. 3, section 204). The ditch was 1.05m wide and 0.24m thick and produced 26 fragments of pottery, including four fragments of transfer-printed whiteware dating between c 1825-1850, which may provide an approximate date for the establishment of the yew hedge. A fragment of decorative stone, possibly wall veneer, was also recovered from the ditch. The fine-grained oolitic limestone had a high quality finish and is likely to be from the former or current house.
- 3.4.5 Ditch 214 ran roughly parallel with ditch 212 and was 0.8m wide, 0.06m deep and contained a friable brown silt deposit (Fig. 3, section 205). This shallow feature had been truncated by landscaping associated with the current bank, yew hedge and the installation of modern services (Plate 3). The ditch was severely truncated at its south-eastern end where it was cut by an east-west aligned cast-iron irrigation service. The ditch did not extend beyond this service and could not be seen in the southern edge of excavation, possibly as a result of extensive disturbance due to the planting and removal of the yew tree hedge. A single fragment of clay pipe stem dating to c 1850-1900 was recovered from the ditch.
- 3.4.6 Undated curvilinear group 228 extended from approximately the centre of the eastern limit of excavation and gradually curved, exiting the area through the northern excavation limit. It cut the upper fill of ditch 227 (Fig. 3, section 200). The feature was a shallow, wide (1.26m), flat-bottomed ditch that survived to a maximum depth of 0.07m within the watching brief area (Fig. 3, section 208). It was filled with a loose grey brown silt with frequent small and medium chalk fragments and flint nodules. The feature was not observed in section 101 across ditch 227. However, the redeposited chalk layer (107) recorded as the upper fill of the ditch in section 101 may be associated with group 228.
- 3.4.7 Situated at the north-east end of the basement footprint was curvilinear ditch group 226. This curvilinear, 0.50m wide and 0.40m deep, encircled the partially decayed remains of a central tree stump/roots (Fig. 3, section 202). The ditch cut bioturbated deposit 224 associated with the rootball of the tree suggesting the ditch post-dated the establishment of the tree. Small fragments of 17th-18th century pottery, residual 13th-16th century ceramic building material (CBM), animal bone and a single piece of flint debitage were recovered from the fill of the ditch.



- 3.4.8 Two discrete features, 206 and 216, probably the remains of tree boles, were recorded in the central area of the basement footprint. Feature 206, an oval shaped feature with dimension of 1.5m x 1.3m and 0.12m deep contained a single, friable, mid grey brown sandy silt (Fig. 3, section 201). Ten fragments of 18th-20th century flowerpot, weighing 99 grams were recovered from the deposit, as well as a single fragment of residual 13th-16th century medieval pegtile.
- 3.4.9 Feature 216 measured 0.58m x 0.74m and was 0.10m deep. It contained a single dark brown grey silt deposit from which seven fragments of CBM were recovered, including four fragments of red brick or quarry tile. The remaining fragments were identified as post-medieval pegtile. The CBM assemblage can be broadly dated to c 1700-1900. Stratigraphically the feature post-dates the cast-iron irrigation service.



4 DISCUSSION

4.1 Reliability of field investigation

- 4.1.1 The results of the evaluation and watching brief are considered to be reliable indicators of the archaeological remains present within the development footprint.
- 4.1.2 Several live service runs crossed the development area and these were carefully exposed during the ground-works. Although the services truncated several archaeological features, they have not impacted upon the interpretation of the remains.
- 4.1.3 The area has been heavily landscaped in the past. Post-medieval remains have survived the landscaping, albeit some truncated. However, it remains a slight possibility that this landscaping may have removed earlier shallow remains.

4.2 Investigation objectives and results

- 4.2.1 The archaeological investigation has determined that post-medieval archaeological remains survive within the development footprint. No complex stratigraphy is present and the features show evidence of truncation associated with garden landscaping and the installation of modern services. The few finds that were recovered were predominantly post-medieval in date and are likely to derive from the construction of the current house (CBM, slate, possible wall veneer) or from inside the house (pottery, glass). All archaeological features exposed within the basement footprint area were preserved by record.

4.3 Interpretation

- 4.3.1 All features exposed during the evaluation and watching brief appear to be broadly contemporaneous.
- 4.3.2 Ditch group 227 is stratigraphically the earliest feature within the site. It does not appear on any of the historic maps consulted during the production of the desk-based assessment. The size of the ditch suggests its function may have been a boundary and/or drainage ditch rather than an ornamental landscape feature. Its alignment is not at odds with the current house and it is possible that it may have been a boundary between the earlier phase the house and the wider park landscape. Stratigraphically the ditch is cut by features dating to the early-mid 19th century (ditches 212 and 214) and therefore must pre-date these features. The artefactual evidence recovered from ditch 227, however, comes from the late 19th-20th century and derives from the upper fill of the ditch. Finds were only recovered in section 200 where the feature is cut by curvilinear group 228 and it is possible that they are intrusive. It is also possible that ditch 227 still survived as a depression within the landscape at this time and the finds derive from the final phase of backfilling.
- 4.3.3 Chalk-filled curvilinear 228 is likely to be the remains of the ovoid path that was identified in the desk-based assessment encircling the upper terrace. The path was present on the 1st Edition Ordnance Survey Map and all subsequent editions until 1960 (Fig. 4). The path was not recorded in section 100, excavated through ditch 227. However, the presence of a redeposited chalk layer recorded in the upper fill of section 200 suggests the identification of the chalk-filled feature may have been missed within the small confines of the evaluation trench.
- 4.3.4 Evidence for the accompanying hedge-line surrounding this path is less apparent within the development area. However, it is possible that feature 206, identified as a tree bole,



may be associated. Feature 216, also identified as a tree bole, may be unrelated despite its close location to the path (group 228) as it post-dates the cast-iron irrigation pipe that cuts through the path.

- 4.3.5 Curvilinear ditch 226 encircles the remains of a tree. The ditch appears to have been a later addition, as it cuts the bioturbated soil around tree stump. The ditch was probably a decorative garden feature.
- 4.3.6 Ditch 214 is sealed by the current landscaped bank. It is mid to late 19th century in date and may reflect an earlier phase of landscaping around the house.
- 4.3.7 Ditch 212 follows a similar alignment to ditch 214 but appears to be associated with the yew hedge, perhaps acting as a drainage or boundary ditch between the hedge and the formal lawns. It post-dates the construction of the landscaped bank.
- 4.3.8 The single sherd of late Iron Age-early Roman pottery recovered from the topsoil within the evaluation trench and the struck flint is indicative of general activity of this period within the area. The garden has been the subject of significant landscaping in the past and it is possible that the pottery may have been imported from elsewhere during the landscaping works.

4.4 Significance

- 4.4.1 The archaeological features that will be removed during the construction of the basement can be ascribed to the post-medieval period and are likely to be the remains of former garden and landscaping features associated with the current house. Ditch group 227 may be associated with the earlier house.



APPENDIX A. TRENCH DESCRIPTIONS AND CONTEXT INVENTORY

Trench 1						
General description					Orientation	E-W
The trench contained a single undated ditch, orientated roughly N-S, and a small discrete, rectangular shaped, modern feature, probably the remains of a garden feature associated with former landscaping within the gardens. The trench was relocated slightly to the north-west of its original location in an attempt to avoid a modern service consisting of a blue plastic water pipe forming part of the current irrigation system. The trench was also extended slightly to compensate for several metres at the eastern end, where the irrigation pipe changed alignment and crossed the trench and to clarify the extent of the discrete feature.					Avg. depth (m)	0.46
					Width (m)	1.8
					Length (m)	14
Contexts						
Context No.	Type	Width (m)	Depth (m)	Comment	Finds	Date
101	Layer	-	0.3	Topsoil. Dark grey brown, slightly sandy silt with rare small sub-angular flints and fine roots.	Pottery Glass	Modern
102	Layer	-	0.22	Subsoil. Light yellow brown silt with occasional small lumps of chalk.	-	-
103	Layer	-	-	Natural. Chalk. Weathered interface at the top of the chalk.	-	-
104	Cut	3.6	1.2	Ditch. Aligned NE-SW. Concave base, steep, sloping sides. Same as 200.	-	-
105	Fill	-	0.4	Fill of 104. Firm, light yellow brown, silt. Occasional small lumps of chalk within deposit. Primary fill of ditch. Appears to be very sterile. Same as 201.	-	-
106	Fill	-	0.56	Fill of 104. Firm, dark grey brown silt. Frequent medium sub-angular flints randomly distributed throughout deposit and occasional small lumps of chalk. Same as 202.	-	-
107	Fill	-	0.24	Fill of 104. Friable mid brown silt with frequent small chalk lumps throughout. Redeposited chalk layer.	-	-
108	Cut	1	0.2	Probable pit. Rectangular feature extending under southern baulk with irregular base. Probably remains of a garden feature/planting associated with earlier landscaping around the house.	-	-
109	Fill	-	0.1	Fill of 108. Firm, dark brown grey silty clay with rare fine roots, small coal fragments and occasional chalk flecks. Deposit gets slightly thicker to the south. Base fill of 108. Topsoil-like. Glass found at base of feature.	Glass	Late 19th- 20th century
110	Fill	-	0.1	Fill of 108. Patchy, firm, light yellow	-	-



				brown silt with frequent small lumps of chalk.		
--	--	--	--	--	--	--

APPENDIX B. WATCHING BRIEF CONTEXT INVENTORY

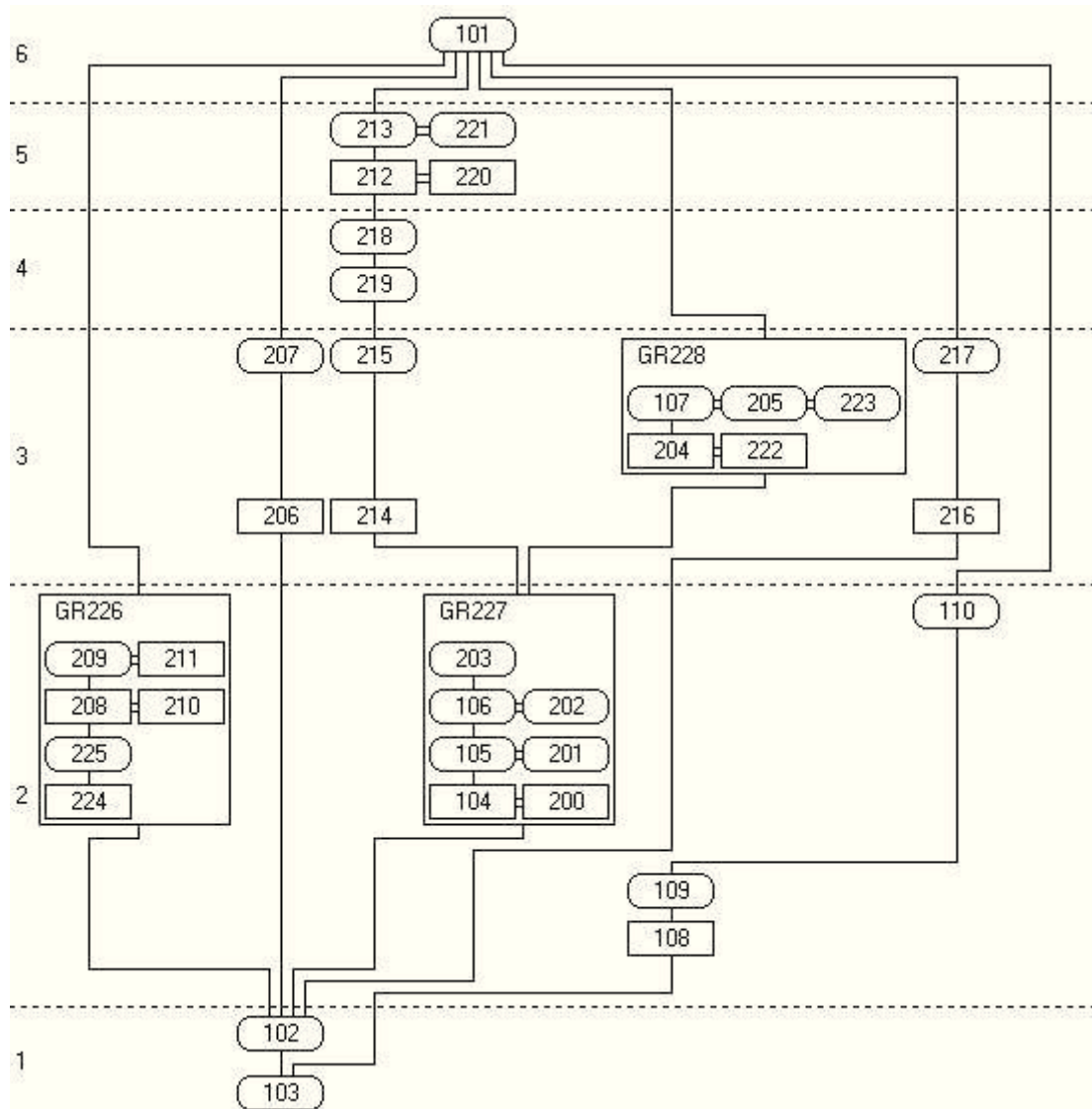
Watching Brief						
Contexts						
Context No.	Type	Width (m)	Depth (m)	Comment	Finds	Date
200	Cut	1.62	0.86	Ditch. Aligned NE-SW. Concave base with steep sides. Possible boundary ditch. Same as 104.	-	-
201	Fill	-	0.25	Primary fill of ditch 200. Friable mid to light brown sandy silt with rare flint and chalk fragments.	-	-
202	Fill	-	0.41	Fill of ditch 200. Friable mid brown sandy silt with concentrations of flint towards the middle of the deposit and occasional chalk fragments. Same as 106.	-	-
203	Fill	-	0.38	Upper fill of ditch 200. Friable dark brown grey silt with rare flint, stone and chalk fragments.	Bone CBM Glass	late 19th-20th century
204	Cut	>0.3	0.12	Curvilinear feature, probably garden feature. Same as 222.	-	-
205	Fill	-	0.12	Fill of 204. Loose, white, chalk and flint deposit. Same as 223.	-	-
206	Cut	1.3	0.12	Sub circular discrete feature – probably the remains of a tree bole.	-	-
207	Fill	-	0.12	Fill of 206. Friable, mid grey brown, sandy silt with rare sub-angular flint pebbles.	Pottery CBM	18th-20th century
208	Cut	0.4	0.14	Penannular ditch with moderate to steep sides and a concave base. Surrounds a tree and is the remains of a garden feature. Same as 210.	-	-
209	Fill	-	0.14	Fill of 208. Friable mid brown sandy silt with rare sub-angular flint pebbles. Same as 211.	Pottery CBM	c 1720-1780
210	Cut	0.5	0.4	Penannular ditch with moderate to steep sides and a concave base. Surrounds remains of a tree stump and is cut through the subsoil. Same as 208.	-	-
211	Fill	-	0.4	Fill of 210. Friable mid brown sandy silt with rare sub-angular pebbles and flint. Same as 209.	Bone CBM Flint	c 1700-1900?



212	Cut	1.05	0.24	Ditch aligned NW-SE. Part of the existing yew tree hedge-line.	-	-
213	Fill	-	0.24	Fill of 212. Friable, brown, silt with rare stone and chalk fragments and frequent small and moderate tree roots.	Pottery CBM Glass	c 1825-1850
214	Cut	0.8	0.06	Cut of shallow ditch. Truncated by previous landscaping and is sealed by existing bank. Runs parallel with 212 and may be line of earlier tree planting.	-	-
215	Fill	-	0.06	Fill of 214. Friable brown silt with rare stone and chalk fragments.	Clay pipe	c 1850-1900
216	Cut	0.58	0.1	Cut of tree bole.	-	-
217	Fill	-	0.1	Fill of 216. Friable dark brown grey silt with flint, stone and chalk fragments.	CBM	c 1700-1900?
218	Layer	>10	0.35	Firm, pale grey white, sandy chalk with occasional sub-angular flint pebbles and cobbles. Construction deposit for current bank/terrace.	-	-
219	Layer	>10	0.15	Firm, mid to pale brown, sandy silt with occasional flint, chalk and sub-angular pebbles. Initial dump of material for construction of current bank/terrace.	-	-
220	Cut	>0.3	>0.40	Ditch with steep sides. Part of the current yew tree hedge-line. Same as 212.	-	-
221	Fill	>0.3	>0.4	Fill of 220. Firm, mid brown, sandy silt with rare sub-angular flint pebbles. Same as 213.	-	-
222	Cut	1.26	0.07	Curvilinear feature, probably garden path/bank. Same as 204.	-	-
223	Fill	-	0.07	Fill of 222. Loose, dark grey brown, silt with frequent chalk and flint fragments. Same as 205.	-	-
224	Cut	2.75	-	Cut of tree bole. Not excavated.	-	-
225	Fill	-	-	Firm, light yellow brown, silt with occasional chalk flecks. Substantial portion of tree root in centre of deposit. Unexcavated.	-	-
226	Group			Curvilinear ditch consisting of 208, 209, 210, 211		18th century
227	Group			Ditch consisting of 104, 105, 106, 200, 201, 202, 203		
228	Group			Remains of ovoid path consisting of 204, 205, 222, 223		



APPENDIX C. MATRIX





APPENDIX D. FINDS REPORTS

D.1 Pottery

By John Cotter

Introduction and methodology

D.1.1 A total of 55 sherds of pottery weighing 1473g were recovered from five contexts. This is all of post-medieval/modern date with the exception of a single sherd of late Iron Age – early Roman pottery recovered from the evaluation trench topsoil. All the pottery was examined and spot-dated during the present assessment stage. For each context the total pottery sherd count and weight were recorded on an Excel spreadsheet, followed by the context spot-date during which the latest pottery types in the context are estimated to have been produced or were in general circulation. Comments on the presence of datable types were also recorded, usually with mention of vessel form (jugs, bowls etc.) and any other attributes worthy of note (e.g. Decoration etc). Pottery codes used in the comments field are those of the Museum of London (MOLA/LAARC) which can be applied to most late and post-medieval types in southern England. Full details of this small assemblage may be consulted in Table 1.

D.1.2 No further work is recommended.

Table 1: Pottery

Context No.	Spot-date	No.	Weight (g)	Comments
101	c 1920-1950?	13	720	Mix of L19C and E20C Staffs-type tablewares including complete small pale blue-slipped milk jug (minus handle) with printed green mark underside 'Polo. T.G. Green & Co, Ltd. Church Gresley Potteries. Made in England'. Red transfer-print plate c1870-1900 with 'Eton College' mark underside. Other whitewares include very late-looking blue-striped cup - possibly 1940s? 1-2 bss PMR (Post-med redware)
101	c 50BC-100AD	2	12	1 body sherd (modern break), worn, grey LIA/ER grog-tempered ware
203	18-20C	3	90	Red flowerpot bss x2, 1x very thick cream flowerpot or ? waterpipe bs
207	18-20C	10	99	Red flowerpot bss
209	c 1720-1780	1	3	Rim. Staffs white stoneware ?sugarbowl
213	c 1825-1850	26	549	4x blue transfer-printed TPW dish c1825-50. 2x TPW Pearlware. Mostly red flowerpot including 2 white slip-edged rims in Brill tradition (c1720-1830). Some PMR (Nettlebed?). 18C-style PMR slipware dish rim - probably Brill
TOTAL		55	1473	



D.2 Ceramic Building Material

By John Cotter

Introduction and methodology

D.2.1 The Ceramic Building Material (CBM) assemblage comprises 26 pieces weighing 2326g from six contexts. The assemblage was examined and spot-dated during the present assessment stage following standard Oxford Archaeology procedures and the data recorded on an Excel spreadsheet. As usual, the dating of broken fragments of CBM is an imprecise art and spot-dates derived from them are necessarily broad and therefore should be regarded with caution. Full details of the assemblage can be found in Table 2.

D.2.2 No further work is recommended.

Table 2: Ceramic building material.

Context No.	Spot-date	No.	Weight (g)	Comments
203	c 1700-1900	7	475	1x small fine red post-medieval ?quarry (floor) tile edge - as in (211). Rest large fairly fresh frags red and orange-buff pegtile - probably mix of late med and post-med?
207	13-16C?	1	43	Worn edge fragment probably medieval thick peg tile (16mm) in creamy-buff local fabric
209	13-16C?	1	45	Fresher frag as in 207
211	c 1700-1900?	4	330	Edge fragment (fresh) probably pan tile as in (213). 3x frags thick unglazed fine brick red quarry tiles including corner, maximum 31mm thick, upper surfaces worn
213	c 1700-1900?	6	1373	End fragment large fresh red pan tile. Rest of the fragments are light orange post-medieval pegtile including 2 fragments bonded together with thick white lime mortar - possibly wall rubble?
217	c 1700-1900?	7	60	All small scraps. 4x scraps fine red brick or quarry tile. The rest are light orange post-medieval pegtile
TOTAL		26	2326	



D.3 Clay pipe

By John Cotter

Introduction and methodology

D.3.1 The clay pipe assemblage comprises two pieces weighing 8g from two contexts. The assemblage was examined and spot-dated during the present assessment stage following standard Oxford Archaeology procedures and the data recorded on an Excel spreadsheet. Full details are presented in Table 3.

D.3.2 No further work is recommended.

Table 3: Clay pipe.

Context No.	Spot-date	Stem	Bowl	Mouth	Total sherds	Total Weight (g)	Comments
211	L17-18C	1	0	0	1	2	Stem bore c3mm.
215	c 1850-1900	0	0	1	1	6	Fresh stem with expanded mouthpiece copying 19C briar pipes. Stem bore c1mm.
TOTAL		1	0	1	2	8	

D.4 Glass

By Ian Scott

D.4.1 The glass comprises five complete bottles all dating to the 19th – 20th century, seven fragments of window glass dating to the late 19th-20th century and a single sherd of cast glass dating to the 17th - 20th century. Full details are presented in Table 4.

D.4.2 No further work is recommended.

Table 4: Glass.

Context No.	Description	Date
101	5 bottles/jars: coffee jar, Vicks vapour rub jar, 3 x medicine/pill bottles, 1 with metal flange around stopper.	19th/20thC
109	1 sherd window glass	late 19th/20thC
203	2 sherds window glass	late 19th/20thC
213	4 sherds window glass 19/20thC; 1 sherd cast glass 17th-20thC	17th - 20thC



D.5 Flint

By Geraldine Crann

D.5.1 All the flint can be classified as undatable prehistoric debitage flakes. The small quantity of worked flint limits the interpretation of the material, beyond illustrating a human presence in the local area during the prehistoric period. Full details are presented in Table 5.

D.5.2 The assemblage is of low potential and requires no further work.

Table 5: Flint.

Context No.	Description
101	Core rejuvenation flake on mottled pale-grey flint, 19g.
211	Narrow flake on mottled pale brown flint, 20% cortex, 3g.
211	Irregular flake on pale brown flint, 3g

D.6 Burnt unworked flint

By Geraldine Crann

D.6.1 One fragment of burnt, unworked flint was recovered from a single context. Full details are presented in Table 6.

D.6.2 The assemblage is of low potential and requires no further work.

Table 6: Burnt flint.

Context No.	Description
213	One fragment burnt, unworked flint, 5g.

D.7 Stone

By Ruth Shaffrey

D.7.1 A single piece of worked stone, retaining a neat edge and part of one face, was recovered from context 213. This is a very fine-grained oolitic limestone containing rare shell inclusions. The high quality finish of the face indicates it was a piece of decorative stone, possibly wall veneer, although the thickness does not survive. It is likely to be associated with the former or current house.

D.7.2 No further work is recommended.



APPENDIX E. ACKNOWLEDGEMENTS

- E.1.1 Thanks to Mary Neale of Berkshire Archaeology, and Francis Dunleavy and Andrew Hine of Symm and Company Ltd.
- E.1.2 The site team was led by Katrina Anker with the assistance of Ian Cook and John Boothryod. The report was written by Katrina Anker with contributions by John Cotter, Geraldine Crann and Ian Scott. The archive will be prepared for deposition by Susan Rawlings and Nicola Scott.

APPENDIX F. BIBLIOGRAPHY AND REFERENCES

British Geological Survey, Sheet 254

Oxford Archaeology, 2011a, Family Office, Culham Court, Remenham, Wokingham. Archaeological Desk-base Assessment.

Oxford Archaeology, 2011b, Culham Court, Remenham, Henley-on-Thames, Berkshire. Written Scheme of Investigation for an Archaeological Evaluation.

Wilkinson, D (ed.), 1992, OAU Field Manual, Oxford Archaeological Field Unit.



APPENDIX G. SUMMARY OF SITE DETAILS

Site name: Culham Court, Remenham, Berkshire

Site code: RECUCO 11

Grid reference: SU 7889 8381

Type: Evaluation

Date and duration: July 2011, seven days

Area of site: 0.3ha

Summary of results: A single trench evaluation and subsequent watching brief was conducted on the footprint of a proposed basement extension at Culham Court, Remenham, Berkshire in July 2011. The excavations revealed a substantial boundary ditch, three further shallow ditches, a curvilinear and two tree boles. The substantial boundary ditch is likely to be pre 18th century in date and was cut by two ditches containing 18th century material. One ditch post-dates the current bank/terrace and is likely to be associated with the existing yew tree hedge. The curvilinear ditch surrounded the remains of a tree and was interpreted as an ornamental garden feature. A shallow ditch filled with chalk rubble is likely to be the remains of the Ovoid path that encircled the lawn terrace as indicated on 1st Edition Ordnance Survey map.

Location of archive: The archive is currently held at OA, Janus House, Osney Mead, Oxford, OX2 0ES. As specified in Reading Museum's 'Procedure for the deposit of archaeological archives, fifth edition January 2011' in section 2.1, Reading Museum will no longer collect archives from other authorities in Berkshire. As such, no receiving museum is available. The archive will temporarily be stored at Janus House, Osney Mead, Oxford and the written records made available at <http://library.thehumanjourney.net/> until alternative arrangements are made by the relevant responsible curatorial body.



Scale 1:12,500

Reproduced from the Pathfinder 1:25,000 scale by permission of the Ordnance Survey on behalf of The Controller of Her Majesty's Stationery Office © Crown Copyright. All rights reserved. Licence No. AL 100005669

Figure 1: Site location

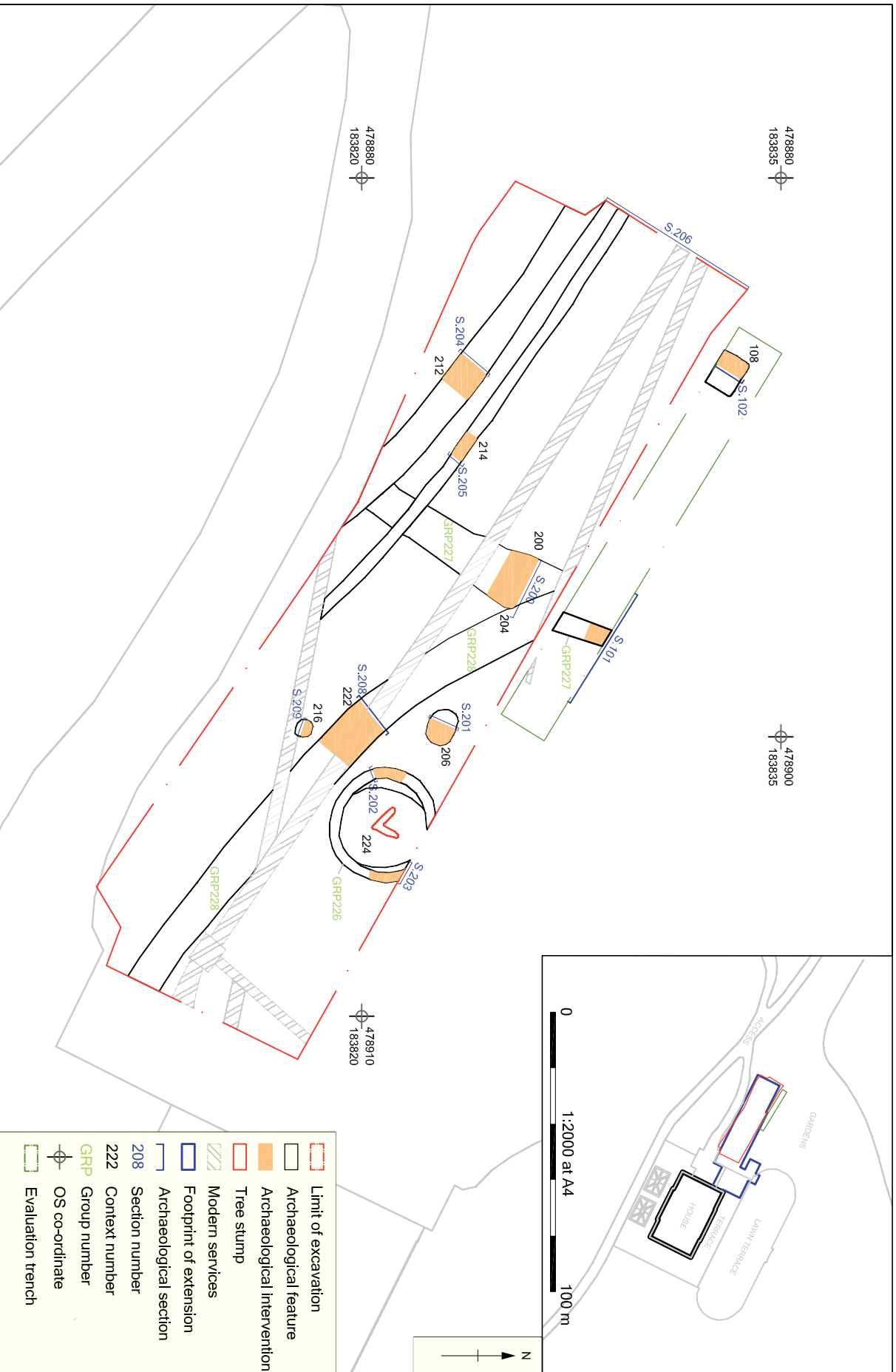


Figure 2: Site plan

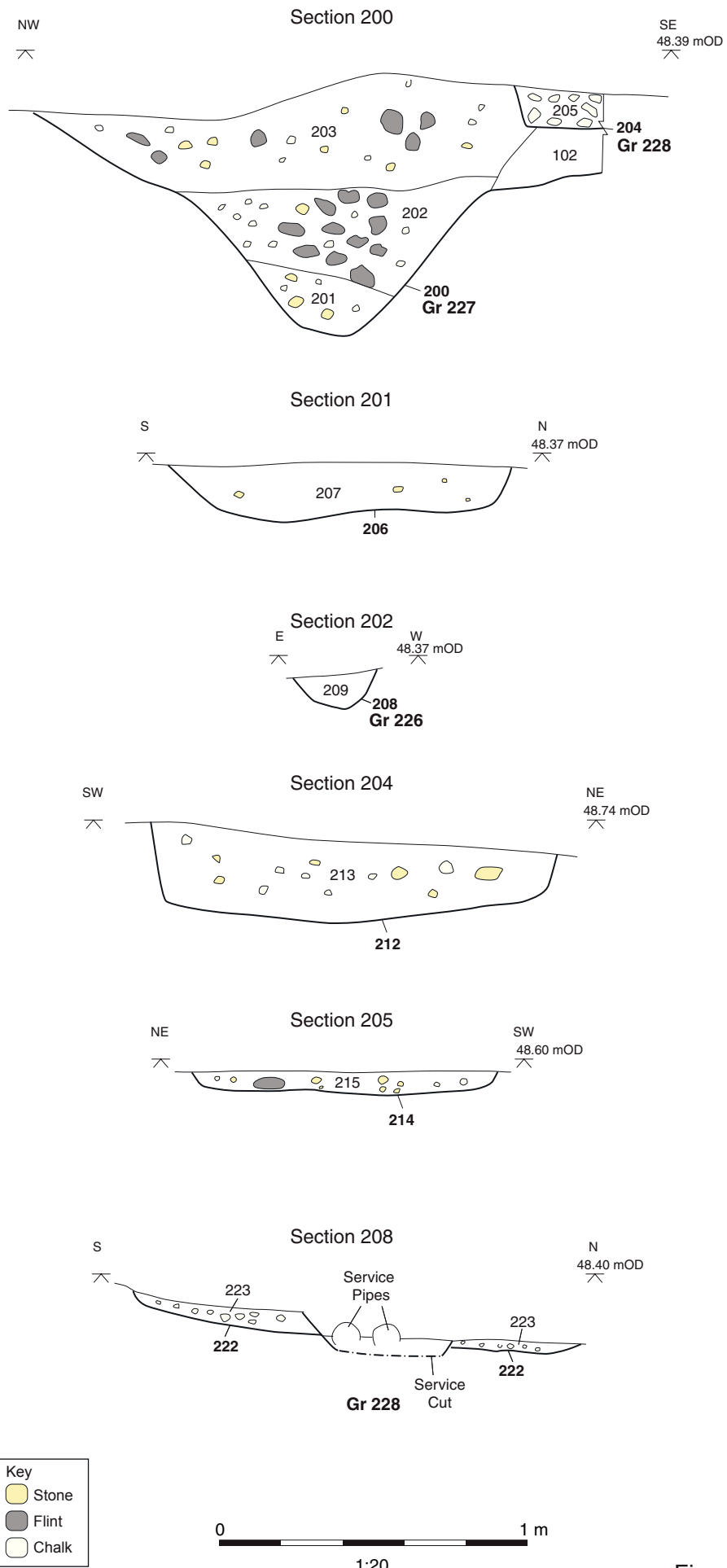


Figure 3 : Sections

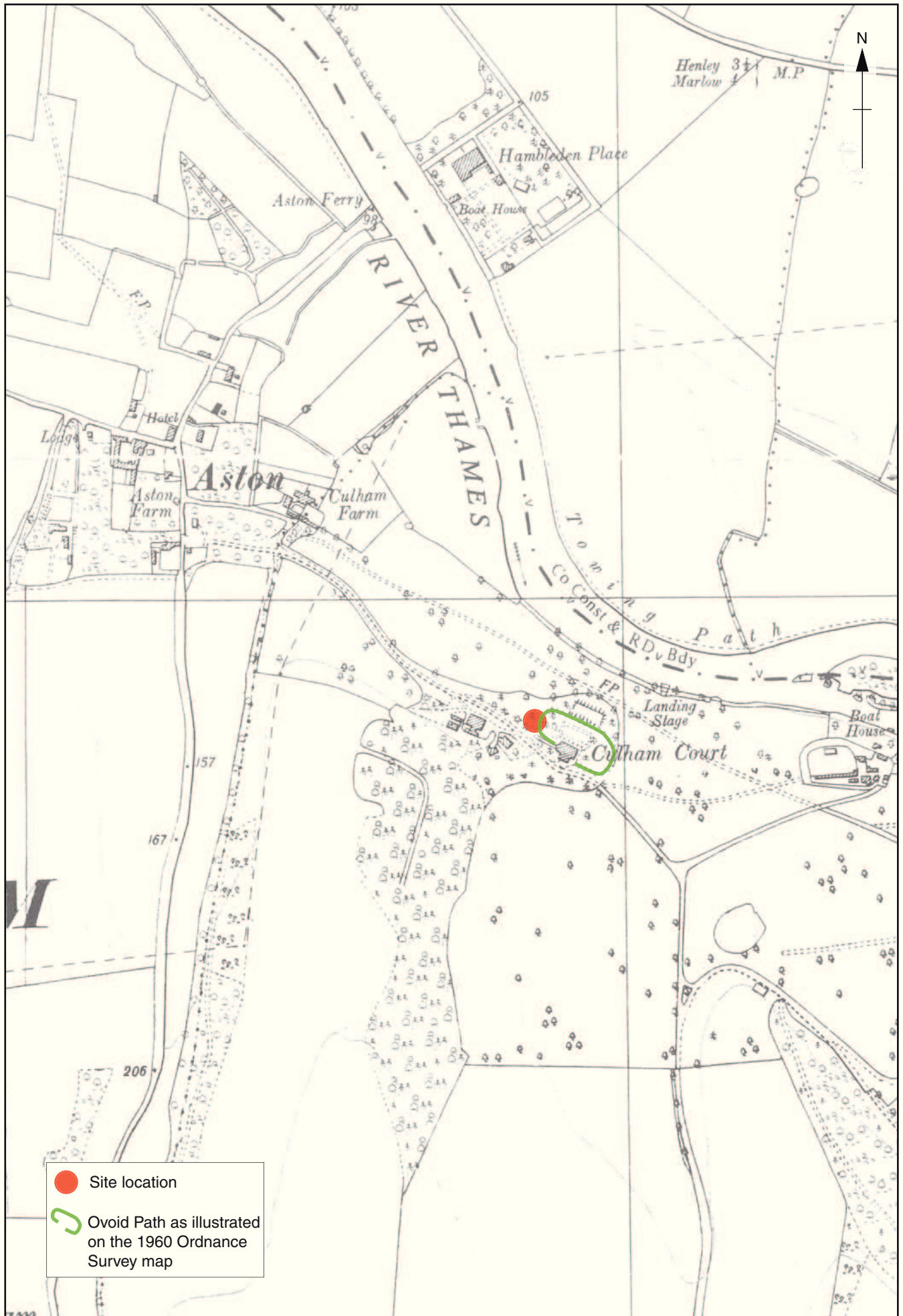


Figure 4: Ovoid Path



Plate 1: Area of Investigation

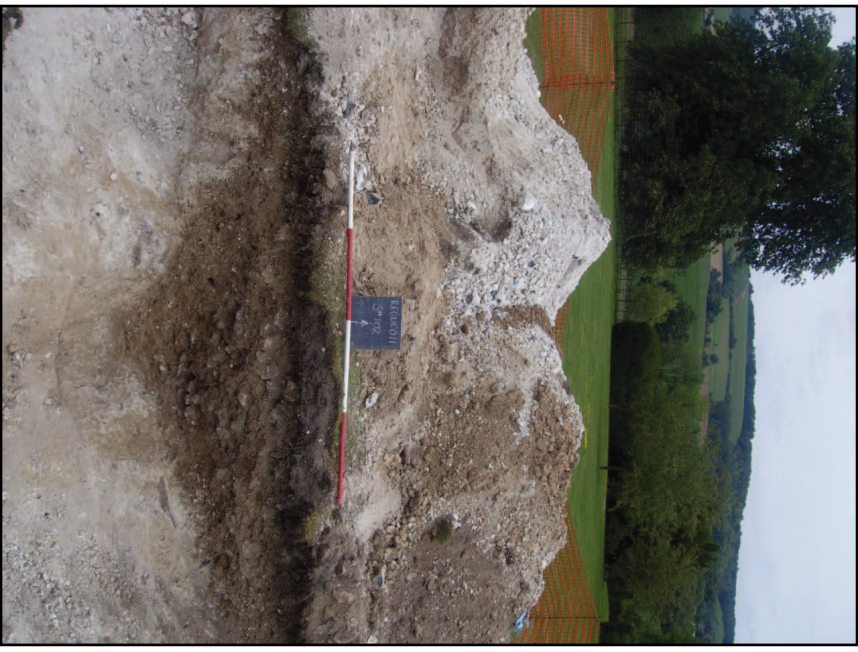


Plate 2: Ditch 104, section 101



Plate 3: Section 206: existing bank