



Brewers Arms Banwell North Somerset

Archaeological Evaluation Report



October 2014

Client: Rickett Architects Ltd

Issue No: 1

OA Job No: 6040

NGR: Centred on ST 398591



Client Name: Rickett Architects Ltd
Client Ref No: N/A
Document Title: Brewers Arms, Banwell, Somerset
Document Type: Evaluation Report
Issue/Version Number: 1
Grid Reference: ST 398 591
Planning Reference: (14/P/1239/F)
Site Code: BABA 14
Invoice Code: BABA EV
Receiving Museum: Weston-super-Mare Museum
Museum Accession No: WESTM:2014.8

Issue	Prepared by	Checked by	Approved by	Signature
1	Vix Hughes Project Officer	Rob Early	Senior Project Manager	

Document File Location X:\b\Brewers Arms, Banwell\002Reports\BABA14_current
Graphics File Location
Illustrated by Markus Dylewski

Disclaimer:

This document has been prepared for the titled project or named part thereof and should not be relied upon or used for any other project without an independent check being carried out as to its suitability and prior written authority of Oxford Archaeology being obtained. Oxford Archaeology accepts no responsibility or liability for the consequences of this document being used for a purpose other than the purposes for which it was commissioned. Any person/party using or relying on the document for such other purposes agrees, and will by such use or reliance be taken to confirm their agreement to indemnify Oxford Archaeology for all loss or damage resulting therefrom. Oxford Archaeology accepts no responsibility or liability for this document to any party other than the person/party by whom it was commissioned.

© Oxford Archaeology Ltd 2014

Janus House
Osney Mead
Oxford OX2 0ES

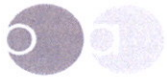
t: +44 (0) 1865 263800

e: info@oxfordarch.co.uk

f: +44 (0) 1865 793496

w: oxfordarchaeology.com

Oxford Archaeology Limited is a Registered Charity No: 285627



Brewers Arms, Banwell, Somerset

Archaeological Evaluation Report

Written by Vix Hughes

Table of Contents

Summary	4
1 Introduction	5
1.1 Project details.....	5
1.2 Location, geology and topography.....	5
1.3 Archaeological and historical background.....	5
1.4 Acknowledgements.....	6
2 Evaluation Aims and Methodology	7
2.1 Aims.....	7
2.2 Specific aims and objectives.....	7
2.3 Methodology.....	7
3 Results	8
3.1 Introduction and presentation of results.....	8
3.2 General soils and ground conditions.....	8
3.3 Trench 1	8
3.4 Trench 2	9
3.5 Trench 3	9
3.6 Finds summary.....	10
4 Discussion	11
4.1 Reliability of field investigation.....	11
4.2 Interpretation of results in relation to evaluation aims.....	11
Appendix A. Trench Descriptions and Context Inventory	13
Appendix B. Stratigraphic Results	16
Appendix C. Finds Reports	18
C.1 Pottery.....	18
Appendix F. Environmental Reports	19



F.1 Environmental samples.....19

Appendix G. Bibliography and References.....20

Appendix H. Summary of Site Details.....21



List of Figures

- Fig. 1 Site location map
- Fig. 2 Trench location plan
- Fig. 3 Trench 1 plan
- Fig. 4 Trench 1 section of ditch 109
- Fig. 5 Trench 1 section, northern end of the trench
- Fig. 6 Trench 1 sample section, southern end of the trench
- Fig. 7 Trench 2 plan
- Fig. 8 Trench 2, section of pit 203

List of Plates

- Plate 1 Trench 1 looking S
- Plate 2 Trench 1 looking N
- Plate 3 Trench 1, ditch 109, looking SE
- Plate 4 Trench 1, stone alignment 104, looking SE
- Plate 5 Trench 1, deposits 112-114, looking SE
- Plate 6 Trench 1, stone alignment 104 and deposit 112, looking NW
- Plate 7 Trench 1, stone alignment 104 and deposits 112-114, looking W
- Plate 8 Trench 1, northern part of the trench section, looking SW
- Plate 9 Trench 2, working shot, looking W
- Plate 10 Trench 2, pit 203 pre-excavation, looking N
- Plate 11 Trench 2, pit 203 section, looking W
- Plate 12 Trench 3, plan view, looking E

Summary

Oxford Archaeology South (OAS) was commissioned by Rickett Architects Ltd on behalf of their client Punch Taverns Ltd to undertake an archaeological evaluation of the site of land adjacent to the Brewers Arms, Banwell (centred on ST398 591). The work was carried out prior to, and to inform, determination of a planning application for three new houses.

The work was undertaken between 13th and 15th October 2014. A total of three trenches were excavated across the site.

Within the three trenches dug it was possible to identify a natural root hollow in Trench 1. There were a small number of man-made features consisting of; a rounded pit in Trench 2 which continued to the west; a NW-SE aligned ditch in Trench 1; a parallel feature of aligned stones north of the ditch in Trench 1, interpreted as the base of a wall; and a sequence of deposits throughout Trench 1 generally sloping downward from south to north.

The undated ditch may have functioned as a small boundary feature and served to help drain water down slope, before going out of use and infilling. The undated course of wall may have been a small revetment or boundary wall, but the lack of bonding material and relatively narrow width do not suggest that it was a wall associated with a building. A deposit adjacent to the stone feature contained two small abraded pieces of mid 2nd century or later Roman pottery. The undated pit was regular and deliberately dug for an unknown function.

No evidence of medieval settlement was recorded on the site.

1 INTRODUCTION

1.1 Project details

- 1.1.1 Oxford Archaeology (OA), was commissioned by Rickett Architects Ltd on behalf of their client Punch Taverns Ltd to undertake an archaeological evaluation of the site of land adjacent to the Brewers Arms, Banwell (centred on ST398 591).
- 1.1.2 The evaluation by trial trenching was requested by Vince Russett County Archaeologist for North Somerset prior to, and to inform, determination of a planning application (14/P/1239/F) for three new houses.
- 1.1.3 All work was undertaken in accordance with local and national planning policies (Communities and Local Government 2010).

1.2 Location, geology and topography

- 1.2.1 Banwell is located 8km east of Weston-super-Mare on the A371 road and the village is at the west end of the northern side of the Mendip hills. The site is located within the centre of Banwell village to the west of Church Street that continues north as Riverside, running adjacent and east of the river Banwell.
- 1.2.2 Banwell sits on the geological boundary between Mudstone and Halite-stone and Blue Anchor Formation Limestone, both formed approximately 200 to 251 million years ago in the Triassic Period (Geology of Britain viewer, <http://maps.bgs.ac.uk/geologyviewer/>). This geology is recorded to be overlain by deep loamy clay soils (<http://mapapps2.bgs.ac.uk/ukso/home.html>).

1.3 Archaeological and historical background

- 1.3.1 The proposed sites of the three new houses on land adjacent to the Brewers Arms lie immediately adjacent to the Scheduled Monument (National Record 1013434: Romano-British villa, Banwell; North Somerset HER 00097), and proposed housing plots 2 and 3 lie within less than 2m of the edge of the Scheduled area (Figure 1). The overall area of the development is approximately 0.25ha.
- 1.3.2 The Scheduled Monument (10134), comprises the site of a Romano-British villa located in a field immediately north-east of the modern village of Banwell. The villa is visible in the form of a group of well defined and well preserved building platforms. The monument was discovered in 1968 during pipe-laying operations and preliminary investigations were made. The area partially excavated comprised a bathhouse, adjacent courtyard and a length of wall. An almost complete plan of the bath-house is available from excavation. The main mosaic and apse were recovered as was the hot room floor, raised on two rows of pilae through which heat from the furnace passed. The bathhouse was situated close to the River Banwell and in the 3rd to 4th centuries was connected to the main building by a paved room or corridor. Pottery and animal bones scattered in and around the main building suggest that the bathhouse ceased to function sometime during the 4th century. This part of the villa is now waterlogged and the floors subsided.
- 1.3.3 Work on a water pipeline (as yet unpublished) in 2012-2013 showed that Roman activity and occupation is far more widespread than the Scheduled area, with major buildings, industrial activity, ditches, a possible roadway and three inhumation burials; all to the north-west of the Scheduled area. The finds included over 9000 sherds of pottery, fragments of tile, several copper alloy brooches, a 4th century coin, a spoon, a bracelet and there was evidence of preserved wooded remains. There were also remains dated to the Bronze and Iron Ages including a N-S aligned timber structure, a



prehistoric foreshore and finds included over 200 sherds of prehistoric pottery and wooden artefacts.

- 1.3.4 Within the village, Roman coins and pottery have come from the old millpond (now the bowling green; HER 42303), a maximum of 40m south of the proposed site, and from West Street (HER 07392) about 60m from the site, several Roman sites are known at the parish church, Banwell Abbey and 1 East Street.
- 1.3.5 Medieval and Post-medieval interest can be found adjacent to the development area and include the former 19th century Banwell Brewery that is constructed on the site of medieval water mills mentioned in the Domesday survey of AD1086. It is possible that remains associated either with 19th century industrial activity or medieval Banwell could extend into the development area.
- 1.3.6 Geophysical survey has been carried out to the north of the Brewers Arms and did not show activity within the area (Banwell Arch Soc member pers comm 14/1014).

1.4 Acknowledgements

- 1.4.1 Oxford Archaeology were appointed to undertake the evaluation by Rickett Architects Ltd, who funded the project. Daniel Smith, the HER Officer for Somerset County Council, monitored the work, on behalf of Vince Russett. The fieldwork was conducted by Vix Hughes assisted by Chris Hambleton. The report was written by Vix Hughes. The project was managed for Oxford Archaeology by Rob Early.



2 EVALUATION AIMS AND METHODOLOGY

2.1 Aims

2.1.1 The aim of any archaeological investigation is to inform as to the presence or absence of archaeological deposits, which may be preserved on the site under development. This serves to inform and add to the heritage record. The main objectives of this project were:

- (i) To identify, investigate and record the form and function of any deposits encountered during the investigation;
- (ii) To date, where possible, the features identified through artefactual evidence recovered from said deposits;
- (iii) To mitigate the impact on deposits through preservation by record of the deposits revealed during the investigations;
- (iv) To interpret the nature of the archaeological site;
- (v) To interpret and understand any archaeological deposits in terms of their cultural and environmental context.
- (vi) The data gathered from the investigations can then be used to inform as to any further mitigation that may become necessary should the deposits be interpreted as locally, regionally or nationally important.

2.2 Specific aims and objectives

2.2.1 The specific aims and objectives were:

- (vii) to establish the character and extent of any Romano-British activity associated with the adjacent Scheduled area.

2.3 Methodology

- 2.3.1 The proposed 12m trench located to the north of the Brewers Arms at the northern extent of the development area, within the car park, was not excavated by agreement with the client and curator.
- 2.3.2 Three trial trenches were excavated in the 0.25ha development area (Figure 2). These were renumbered from those described in the Written Scheme of Investigation (WSI). Trench 1 was in the location of Trench 2 described in the WSI and trenches 2 and 3 are close to the location of Trench 3 as described in the WSI.
- 2.3.3 A 12m trench was proposed at the southern end (Trench 3 as described in the WSI) over the proposed footprint of house plots 2 and 3. However, due to the restriction of space it was necessary to excavate this as two shorter trenches (trenches 2 and 3). They were to target any possible components of the medieval and later mill complexes.
- 2.3.4 A 24m trench (Trench 1), was positioned parallel to the edge of the scheduled area at the centre of the site over the footprint of house plot 1 and targeted potential Roman remains associated with the Scheduled area to the west. The depth of deposits at the northern end was over 1m and the level of natural was established in a small sondage within the trench.
- 2.3.5 All trenches were excavated using a JCB / backactor mechanical excavator fitted with a toothless ditching bucket under the supervision of an experienced archaeologist. Excavations proceeded in monitored horizontal spits until either the level of significant archaeology was reached or natural exposed, whichever was first.



2.3.6 All fieldwork was undertaken in accordance with standard OAS practices (Wilkinson 1992).



3 RESULTS

3.1 Introduction and presentation of results

3.1.1 The results of the evaluation are presented below, and include a stratigraphic description of the trenches which contained archaeological remains. The full details of all trenches with the dimensions and depths of all deposits form the content of Appendix A. The stratigraphic sequences are given in Appendix B.

3.2 General soils and ground conditions

3.2.1 The underlying geology consisted of pinkish to red clays and soft mudstone consistent with natural geology revealed in Banwell.

3.2.2 Archaeological features were all cut into the underlying geology and were sealed by either the remnants of an old subsoil or the topsoil.

3.2.3 The ground conditions were generally good although the inclement weather conditions were a hindrance.

3.3 Trench 1

3.3.1 Trench 1 was located at the northern end of the open grassed area south of the present Brewers Arms car park. The ground was relatively level with a slight slope from south (9.94m aOD above Ordnance Datum) to north (8.55m aOD), a difference of 1.39m. The trench was 24m in length, aligned approximately N-S and dug to a maximum depth of 1m at the northern end (Figure 3).

3.3.2 The earliest deposit seen was the natural geology (105). The top of the natural originally sloped down from 9.53m aOD at the southern end to 7.31m aOD at the northern end, with two visible breaks of slope (a difference of 2.22m). This gradient is steeper than that visible today.

3.3.3 A NW-SE aligned ditch (109) was found towards the southern end of the trench. It was between 0.5 – 0.75m wide and 0.22m deep, with a regular U-shaped profile. The single fill 108, was a mid greyish brown silty clay that yielded two small fragments of animal bone and a low frequency of charcoal flecking, but no datable artefactual evidence.

3.3.4 An irregular feature (111) that continued into the eastern baulk was found cutting the natural geology and was 0.71m wide and between 0.06-0.19m deep. This was probably a root hollow, filled with a dark brownish grey silty clay that contained no finds and rare charcoal flecks (110).

3.3.5 The fill of both the ditch and the root hollow were sealed by a 0.12m thick subsoil layer (115).

3.3.6 An alignment of limestone blocks (104) was found north of Ditch 109 and Feature 111 and took on the same NW-SE alignment as the ditch (Figure 5). The rough hewn blocks were one course wide and deep; they were yellow to pink in colouration and of probable limestone source. There was no bonding material and the stones were set in Cut 116. The cut was only visible on the southern side and was straight sided with a flat base. There was no clear, unambiguous return for the cut on the northern side. The stone alignment is interpreted as the base of a possible wall.

3.3.7 The stone alignment was located at the point of a break of slope in the natural, and careful examination of the section showed a number of deposits to have infilled the hollow downslope, but there was no evidence of a ditch cut adjacent to the stone alignment. The earliest of the deposits (114) was a stiff mid-greyish brown silty clay that was 0.15-0.21m thick. It had frequent flecks of degraded red mudstone and rare



charcoal flecks but no artefactual material. Above this was a friable mid brownish grey silty clay (113) that was 0.18m thick. This layer had a low frequency of yellow stone flecks. A firm mid greyish brown silty clay (112) that was 0.3m thick sealed Layer 113 and abutting Stones alignment (104). It contained two small abraded fragments of Roman pottery dated to no earlier than the mid 2nd century AD. It is likely that deposits 112 to 114 are a result of downslope erosion and therefore may have originated from upslope.

- 3.3.8 At the northern end of the trench, towards the base of the original ground slope, a series of deposits were identified. The earliest deposit (117) was a mid reddish brown silty clay that was 0.11m thick with frequent flecks of degraded red and yellow stones and occasional charcoal.
- 3.3.9 Above this was a soft-friable dark blackish grey clayey silt (103) with frequent inclusions of pink and yellow medium sub-angular stones and occasional charcoal. It was 0.36m thick.
- 3.3.10 These deposits all sloped gently down from south to north, following the original slope and thickened slightly to the north.
- 3.3.11 A subsoil layer (102) that comprised a firm-stiff, mid greyish brown silty clay with small stones sealed the above described sequence and noticeably thickened from 0.1 to 0.24m south to north. This was overlain by a layer of modern rubbish incorporated into topsoil material (101). This rubbish layer assisted in raising the ground and levelling out the small field at this end. At the top of the sequence was the topsoil (100).

3.4 Trench 2

- 3.4.1 Trench 2 was located in the central part of the open grassed area (Figure 2). The ground was level at 10.34-10.46m aOD. The trench was 5.3m in length, aligned E-W and dug to a maximum depth of 0.4m.
- 3.4.2 The earliest deposit seen was the natural geology (204). The top of the natural as seen was at 10.02m aOD.
- 3.4.3 Truncating this, towards the western end of the trench was a rounded pit (203). The pit was 1.3m wide and 0.8m deep with a steep U-shaped profile. It was filled by layers 205 and 206. The lower fill (206) was a soft dark brown gritty clay with frequent degraded red and yellow stone flecks. The upper fill (205) was a soft mid reddish brown silty clay with frequent degraded red and yellow stone flecks. Neither fill contained artefactual evidence.
- 3.4.4 Sealing Pit 203 was a soft mid grey silty clay (202) with moderately frequent medium sub-angular stones inclusions and rare slate and CBM fragments. This layer was consistent with a mixed deposit of imported clay and rubble debris and was 0.15m thick.
- 3.4.5 Above this was an intermittent layer of dark brown silty clay (201) with root and stone inclusions probably a subsoil. Overlying this was the topsoil 200.

3.5 Trench 3

- 3.5.1 Trench 3 was located at the southern end of the open grassed area. The ground was level at 10.57-10.82m aOD. The trench was 6.2m in length, aligned N-S and dug to a maximum depth of 0.5m.
- 3.5.2 The earliest deposit seen was the natural geology (303). The top of the natural as seen, was at 10.06m aOD.



- 3.5.3 Sealing natural was a soft mid grey silty clay (302) that was 0.26-0.5m thick with moderately frequent sub-angular stones inclusions and rare slate and CBM fragments. This layer was consistent with a mixed deposit of imported clay and rubble debris.
- 3.5.4 Above this was an intermittent layer (301) of dark brown silty clay with root and stone inclusions. This layer was probable subsoil. Overlying this was the topsoil 300.

3.6 Finds summary

- 3.6.1 A very small quantity of artefactual material was recovered from the deposits recorded in the evaluation. The range of material included pottery, ceramic building material (CBM), glass and animal bone. A fuller description of the finds can be found in the appendices below.
- 3.6.2 The pottery assemblage consisted of 14 sherds of pottery of medieval and post-medieval or modern date and 2 sherds dated to the 2nd century AD.
- 3.6.3 A single fragment (14g) of ceramic building material (brick) was recovered and was of post-medieval date.
- 3.6.4 A total of 8 fragments of animal bone (118g) were recovered. The assemblage contains mammal bones, with only a cattle calcaneus and tooth identifiable to species.



4 DISCUSSION

4.1 Reliability of field investigation

- 4.1.1 The trenches were excavated in poor weather, but conditions were sufficiently good in all of the trenches to identify the presence or absence of archaeological features.
- 4.1.2 It is therefore felt that the recorded density and distribution of archaeological features provides an accurate representation of the evaluation area as a whole.

4.2 Interpretation of results in relation to evaluation aims

- 4.2.1 The evaluation aimed to identify, investigate and record the form and function of any deposits encountered during the investigation.
- 4.2.2 Within the three trenches dug it was possible to identify a natural root hollow in Trench 1. There were a small number of man-made features consisting of; a rounded pit in Trench 2 which continued to the west; a NW-SE aligned ditch in Trench 1; a parallel feature of aligned stones north of the ditch in Trench 1, interpreted as the base of a wall; and a sequence of deposits throughout Trench 1 generally sloping downward from south to north.
- 4.2.3 The ditch may have functioned as a small boundary feature and served to help drain water downslope, before going out of use and infilling.
- 4.2.4 The wall may have been a small revetment or boundary wall, but the lack of bonding material and relatively narrow width do not suggest that it was a wall associated with a building.
- 4.2.5 The pit was regular and deliberately dug for an unknown function. It contained no obvious dumps or tips and the slightly grittier nature of the lower fill may indicate that it was left open for an interval before being backfilled.
- 4.2.6 The dating of the features was difficult. The pit in Trench 2 had no artefactual remains. It was sealed stratigraphically by a post-medieval layer.
- 4.2.7 The ditch in Trench 1 had no datable finds. The upper layer abutting stone alignment 112 contained two small fragments of Roman pottery which date to the mid 2nd century or later. However, these pottery sherds may have been washed downslope. The layer sealing the stone alignment (112) contained post-medieval finds (102).
- 4.2.8 The parallel alignment of the Stone Linear (112) and Ditch 109 suggests that they are associated and the two sherds of Roman pottery found in abutting layer 112 could imply a Roman date, although this evidence is not conclusive.
- 4.2.9 The ditch and wall both run along the contour of the observed original ground slope and it is possible that were constructed to serve as boundaries. It is conjectured that they may have been a form of boundary encircling an area of activity on the upper more level ground, and forming a division from the lower sloped ground.
- 4.2.10 The location of the known Roman activity within and extending to the NW of the Scheduled Monument is to the immediate NW of the current works. Undated features could relate to these Roman remains.
- 4.2.11 In terms of the aim to establish the character and extent of any Romano-British activity associated with the adjacent Scheduled area, there are no features of certain Roman date. Those suspected of being Roman are linear in nature, extended beyond the limits of the trench. No evidence was uncovered of any further dense Roman activity in the area of the site.
- 4.2.12 The deposits seen at the northern end of Trench 1 contained finds dated to the post-medieval period and indicate the filling in of the area during this era. The stones seen



within the deposits, were a yellowish pink and similar to those of 104. It is possible that stones from 104 may have tumbled or been dismantled and disposed of downslope and been incorporated into layers 117 or 103. There was also evidence of disturbance and dumping of post-medieval material in Trenches 2 and 3. These deposits appear to be extensive across the areas of the site.



APPENDIX A. TRENCH DESCRIPTIONS AND CONTEXT INVENTORY

Trench 1

General description

Trench contained a single undated ditch and a probable wall foundation. Both features were on the same NW-SE alignment. In addition there was a root hollow feature and a sequence of deposits, of unconfirmed to post-medieval date, which appeared to follow the original sloped topography.

Orientation

N-S

Avg. depth (m)

0.21-1.0

Width (m)

1.6

Length (m)

24

Contexts

Context no	Type	Width (m)	Depth (m)	Comment	Finds	Date
100	Deposit	-	0.21	Topsoil: friable dark greyish black, clayey silt, roots and humic material, glass plastic etc	Pottery	-
101	Deposit	4	0.35	Debris layer: soft-friable, dark greyish black clayey silt, wooden fence posts, concrete chunks, bricks, wire, roots etc	-	-
102	Deposit	10	0.1-0.24	Subsoil: firm-stiff, mid greyish brown silty clay, small stones	Pottery, animal bone	CBM, -
103	Deposit	4.6	0.36	Layer: soft-friable, dark blackish grey clayey silt, pink and yellow medium sub-angular stones 25%, charcoal 2%	Pottery, animal bone	CBM,
104	Structure	0.2	0.15	Wall: NW-SE alignment of stones, one course wide and deep, yellow to pink colouration probable limestone, no bonding material, set in cut 116	-	-
105	Deposit	-	>0.1	Natural geology: firm mid pink silty clay, with areas of sand and mudstone and pale grey seams	-	-
106	Fill	0.3	>0.05	Service fill: friable dark brownish grey clayey silt, mid brown glazed pipe, fill of 107	-	-
107	Cut	0.3	>0.05	Service cut: filled by 107, E-W aligned, unexcavated	-	-
108	Fill	0.5-0.75	0.22	Ditch fill: friable mid greyish brown silty clay, charcoal 2-5%, 1% small red stone flecks, fill of 109	Animal bone	-
109	Cut	0.5-0.75	0.22	Ditch cut: filled by 108, NW-SE aligned, U-shaped profile	-	-
110	Fill	0.71	0.19	Root hollow fill: friable mid	-	-



				brownish grey silty clay, rare charcoal, roots, moderately frequent small red stone flecks, fill of 111		
111	Cut	0.71	0.19	Root hollow cut: filled by 110, irregular profile,	-	
112	Deposit	2	0.3	Subsoil: firm-stiff, mid greyish brown silty clay, small red stones	Pottery (2 fragments)	No earlier than mid C2 nd
113	Deposit	2	0.18	Layer: soft friable mid brownish grey silty clay, small yellow stone flecks 2%	-	
114	Deposit	0.9-1.4	0.15-0.21	Layer: firm mid greyish brown silty clay, frequent speckles of red stones, occasional charcoal	-	
115	Deposit	>2	0.12	Subsoil: firm mid greyish brown silty clay, occasional small stones	-	
116	Cut	0.3	0.15	Cut for wall: filled by 104, small cut into natural for stones, NW-SE aligned, straight S side and flat base	-	
117	Deposit	0.2	0.11	Layer: firm mid reddish brown silty clay, frequent speckles of red and yellow stones, occasional charcoal	-	

Trench 2

General description

Trench contained a single undated pit at the western end. Stratigraphy consists of topsoil 200, overlying subsoil 201, overlying a post-medieval rubble layer 202 which sealed the pit. The pit truncated the natural geology 204.

Orientation	E-W
Avg. depth (m)	0.52
Width (m)	1.6
Length (m)	5.3

Contexts

Context no	Type	Width (m)	Depth (m)	Comment	Finds	Date
200	Deposit	-	0.2-0.24	Topsoil: soft dark blackish brown silty clay, occasional small stones	CBM, clay pipe	-
201	Deposit	6.2	0.15-0.24	Subsoil: dark brown, silty clay, roots, stones	Pottery	-
202	Deposit	>2	0.1-0.15	Debris layer: soft mid grey silty clay, with moderately frequent medium sub-angular stones, rare slate and CBM	CBM / bricks (not retained)	-
203	Cut	1.3	0.8	Pit cut: semi-circular, continued W beyond L.O.E., steep U-shaped profile, filled by 205 and 206	-	-



204	Deposit	-	>0.24	Natural: soft-tacky brownish red silty clay, rare small stones
205	Fill	1.3	0.43	Pit fill: upper fill of 203, soft mid reddish brown silty clay, frequent degraded red and yellow stone flecks
206	Fill	1.3	0.15	Pit fill: lower fill of 203, soft dark brown gritty clay, frequent degraded red and yellow stone flecks

Trench 3**General description**

Trench devoid of archaeology.

Stratigraphy consists of topsoil 300, overlying subsoil 301, overlying a post-medieval rubble layer 302 which sealed natural geology 303.

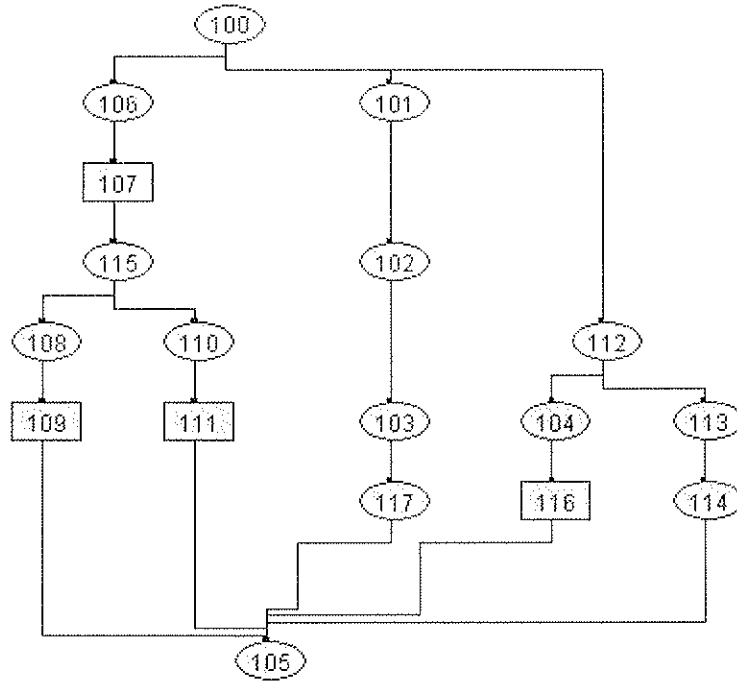
Orientation	E-W
Avg. depth (m)	0.7
Width (m)	1.6
Length (m)	6.2

Contexts

Context no	Type	Width (m)	Depth (m)	Comment	Finds	Date
300	Deposit	-	0.15-0.2	Topsoil: soft dark blackish brown silty clay, occasional small stones	-	-
301	Deposit	>2	0.1-0.2	Subsoil: dark brown, silty clay, roots, stones	Pottery, CBM	-
302	Deposit	>2	0.26-0.5	Debris layer: soft mid grey silty clay, with moderately frequent medium sub-angular stones, rare slate and CBM	-	-
303	Deposit	-	>0.28	Natural: soft-tacky brownish red silty clay, rare small stones	-	-



APPENDIX B. STRATIGRAPHIC RESULTS



Trench 1



Trench 2



Trench 3



APPENDIX C. BANWELL, BREWERS ARMS: BABA 14

FINDS REPORTS

C.1 Pottery

*Identified by John Cotter and Paul Booth.
compiled by Geraldine Crann*

Context	Description	Date
100	1 sherd stoneware (ENGS BRST) ?washbasin/sanitary ware; 1 sherd refined white earthen ware (REFW); 1 flowerpot sherd, 73g	1850 - 1900+
102	2 sherds post-medieval red ware (PMR) from single vessel, 19g	18 th -19 th century
103	1 refined white earthen ware (REFW) vase or jug foot ring base; 1 Staffordshire / Bristol – type slipware (STSL) scrap, 7g	19 th century 18 th century
112	1 sherd fine micaceous oxidised ware with red slip and line of rouletted decoration, 1 sherd sandy reduced coarse ware, external appearance like black burnished ware but fabric is neither SE Dorset nor South Western BB1, 11g	No earlier than mid 2 nd century
200	2 sherds including 1 large vessel rim/handle sherd in post-medieval red ware (PMR), 47g	18 th – 19 th century
201	1 sherd transfer printed ware (TPW); 1 sherd refined white earthenware (REFW); 1 Staffordshire slip ware (STSL), 13g	1830 -1900 19 th century 18 th century
301	1 transfer printed ware (TPW); 2 sherds post-medieval red ware (PMR), 34g	1830 – 1900 18 th -19 th century

Discussion and recommendations.

The pottery from the evaluation is of low potential and requires no further work. The assemblage should be integrated into any further analysis arising from future archaeological work on the site.

C.2 CBM, including mortar and fired clay.

*Identified by John Cotter.
compiled by Geraldine Crann*

Context	Description	Date
100	2 pieces roof tile, 16g	18 th -19 th century
102	1 scrap curved roof tile, 4g	18 th -19 th century
103	3 curved pan tiles, 384g 1 scrap undatable ?fired clay, 14g	Late 18 th –19 th century
108	1 shapeless scrap ?tile, 2g	18 th -19 th century
200	2 pan tile fragments, 102g	Late 18 th –19 th century
301	1 fragment ?land drain with fabric impression, 1 scrap tile, 79g 1 fragment concrete ?mortar, 24g	18 th -19 th century

**Discussion and recommendations.**

The ceramic building material from the evaluation is of low potential and requires no further work.

C.3 Clay pipe

*Identified by John Cotter.
compiled by Geraldine Crann*

Context	Description	Date
200	1 short stem, 3g	19 th century

Discussion and recommendations.

The assemblage is of low potential and requires no further work.

C.4 Animal bone

*Identified by Lena Strid
all bones are fragments unless stated otherwise*

Context	Description
102	Large mammal rib, large mammal long bone, 21g
103	Cattle tooth, 2 large mammal ribs, 1 cattle skull fragment, 1 pig skull fragment, 1 calf humerus, 2 indeterminate, 101g
108	1 medium mammal long bone, 1 indeterminate, 10g

Discussion and recommendations.

The assemblage is of low potential and requires no further work.

C.5 Glass

Identified by Ian Scott

Context	Description	Date
301	Single sherd from the neck or rim of a machine moulded screw top jar, 6g	20 th century or later

Discussion and recommendations.

The assemblage is of low potential and requires no further work.

C.6 Shell

*Identified by Rebecca Nicholson
all shells are fragments unless stated otherwise*

Context	Description
301	1 oyster (<i>Ostrea edulis</i>) shell, right valve, 6g

Appendix D. Discussion and recommendations.

The assemblage is of low potential and requires no further work.



APPENDIX E. ENVIRONMENTAL REPORTS

E.1 Assessment of one bulk sample from Brewer's Arms, Banwell (BABA14)

by Rebecca Nicholson

E.1.1 Introduction

A single bulk sample, of 30L volume, was taken from the fill of an as yet undated ditch [109] to evaluate the survival and diversity of environmental remains (seeds, snails etc) and the recovery of any small bones and artefacts. The sample was composed of dark reddish brown (5Y 3/3) silt loam with charcoal flecking.

E.1.2 Methodology

The sample was processed in its entirety by water flotation using a modified Siraf style flotation machine, with the flot collected on a 250µm mesh and the heavy residue sieved to 500µm. Both flot and residue were dried in a heated room, after which the residue was sorted by eye for artefacts and ecofactual remains. The flot was scanned for charred plant remains using a binocular microscope at approximately x10 magnification.

E.1.3 Results

The 300ml flot includes a substantial quantity of modern root matter together with charcoal and charred seeds, particularly cereal grain. No cereal chaff was observed. The cereal grains are in variable condition; many are clinkered and fragmented while a few are intact and identifiable. Seeds include *Triticum* sp. (wheat), including possible *Triticum spelta* (spelt wheat), at least one of which is sprouting, oats (*Avena* sp.), possible *Hordeum* sp. (barley), possible *Bromus* sp. (*Brome grass*) and *Pisum/Vicia* sp. (pea/bean). A few unidentified charred weed seeds are also present.

A few uncharred seeds from *Ranunculus* sp. (buttercups) and *Rubus* sp. (blackberry/raspberry) and *Sambucus* sp. (elder) and fat hen (*Chenopodium album*) may be modern contaminants although these large and tough seeds may also survive where more fragile items do not. Together they are indicative of damp and disturbed ground.

The heavy residues contained a few fragments of mammal and bird bone and a single anuran (frog/toad) femur as well as a small amount of mortar, slag and charcoal.

E.1.4 Discussion and Conclusions

The range of charred cereals is similar to that found on other Romano-British sites in North Somerset, such as that at Puxton Dolemoor (Jones 2006) although the remains are not necessarily diagnostic to that period. With only a single sample, further investigation of environment and economy at the site is not possible, but any future excavation should incorporate standard sampling following best practice (eg English Heritage 2011).



E.1.5 Reference

English Heritage, 2011. *Environmental Archaeology. A guide to the theory and practice of methods, from sampling and recovery to post-excavation* (2nd edition). Centre for Archaeology Guidelines.

Jones, J. 2006. Plant macrofossil remains, in S. Rippon (ed.) *Landscape, Community and Colonisation: The North Somerset Levels During the 1st to 2nd Millennia AD*, CBA Research Report 152, 90-93.



APPENDIX F. BIBLIOGRAPHY AND REFERENCES

BGS (British Geological Survey) 1967, Sheets 250, 251, 264, 265, 280, 281: Bristol District

CA (Cotswold Archaeology) 2005, Land at the rear of The Ship Inn, Banwell, North Somerset: Archaeological Evaluation

CA (Cotswold Archaeology) 1995, West Street, Banwell, Avon Archaeological Watching Brief

LaTrobe-Bateman, E 1999, Banwell Extensive Urban Assessment

Russell Priest, Amanda Dickson 2008, Archaeological Aerial Survey in the Northern Mendip Hills: A Highlight Report for the National Mapping Programme, English Heritage

<http://www.bristolwater.co.uk/news/general/exciting-archaeological-finds-at-banwell/>

<http://www.banwellarchaeology.co.uk/page7.html> for extract of Border Archaeology report

<http://list.english-heritage.org.uk/resultsingle.aspx?uid=1013434> for SAM information

<http://map.n-somerset.gov.uk/HER.html> for North Somerset HER information

OA (Oxford Archaeology) 2014 Brewers Arms, Banwell, Somerset, Written Scheme of Investigation for an Archaeological Evaluation, unpubl client report



APPENDIX G. SUMMARY OF SITE DETAILS

Site name: Brewers Arms, Banwell, Somerset
Site code: BABA 14
Grid reference: ST 398 591
Type: Evaluation
Date and duration: 13th-15th October 2014
Area of site: 0.25ha

Summary of results: Oxford Archaeology South (OAS) was commissioned by Rickett Architects Ltd on behalf of their client Punch Taverns Ltd to undertake an archaeological evaluation of the site of land adjacent to the Brewers Arms, Banwell (centred on ST398 591). The work was carried out prior to, and to inform, determination of a planning application for three new houses.

The work was undertaken between 13th and 15th October 2014. A total of three trenches were excavated across the site.

Within the three trenches dug it was possible to identify a natural root hollow in Trench 1. There were a small number of man-made features consisting of; a rounded pit in Trench 2 which continued to the west; a NW-SE aligned ditch in Trench 1; a parallel feature of aligned stones north of the ditch in Trench 1, interpreted as the base of a wall; and a sequence of deposits throughout Trench 1 generally sloping downward from south to north.

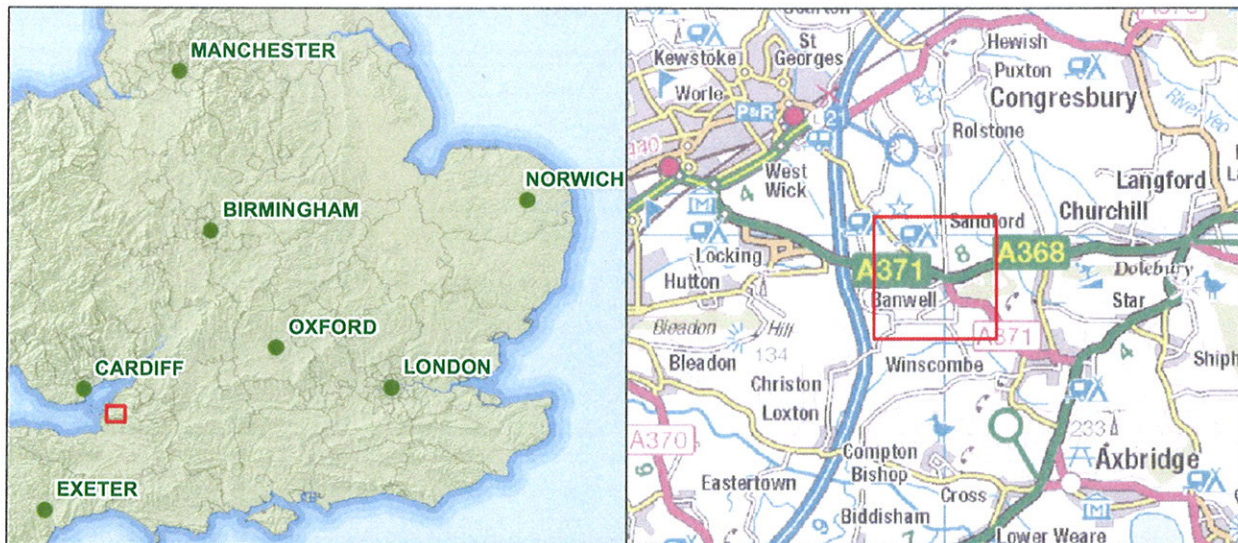
The undated ditch may have functioned as a small boundary feature and served to help drain water downslope, before going out of use and infilling.

The undated one course of wall may have been a small revetment or boundary wall, but the lack of bonding material and relatively narrow width do not suggest that it was a wall associated with a building. A deposit adjacent to the stone feature contained two small abraded pieces of mid 2nd century or later Roman pottery.

The undated pit was regular and deliberately dug for an unknown function.

No evidence of medieval settlement was recorded on the site.

Location of archive: The archive is currently held at OA, Janus House, Osney Mead, Oxford, OX2 0ES, and will be deposited with the North Somerset County Museum, in Weston-super-Mare, Burlington Street, Weston-super-Mare, BS23 1PR in due course, under the following accession number: WESTM:2014.8



I:\Server8\invoice codes a thru h\B_invoice codes\BABAEB\BABAEB_Fig_01.mxd\markus.dylewsk*22/10/2014

Contains Ordnance Survey data © Crown copyright and database right 2014
 (c) OpenStreetMap and contributors, Creative Commons-Share Alike License (CC-BY-SA)

Figure 1: Site location

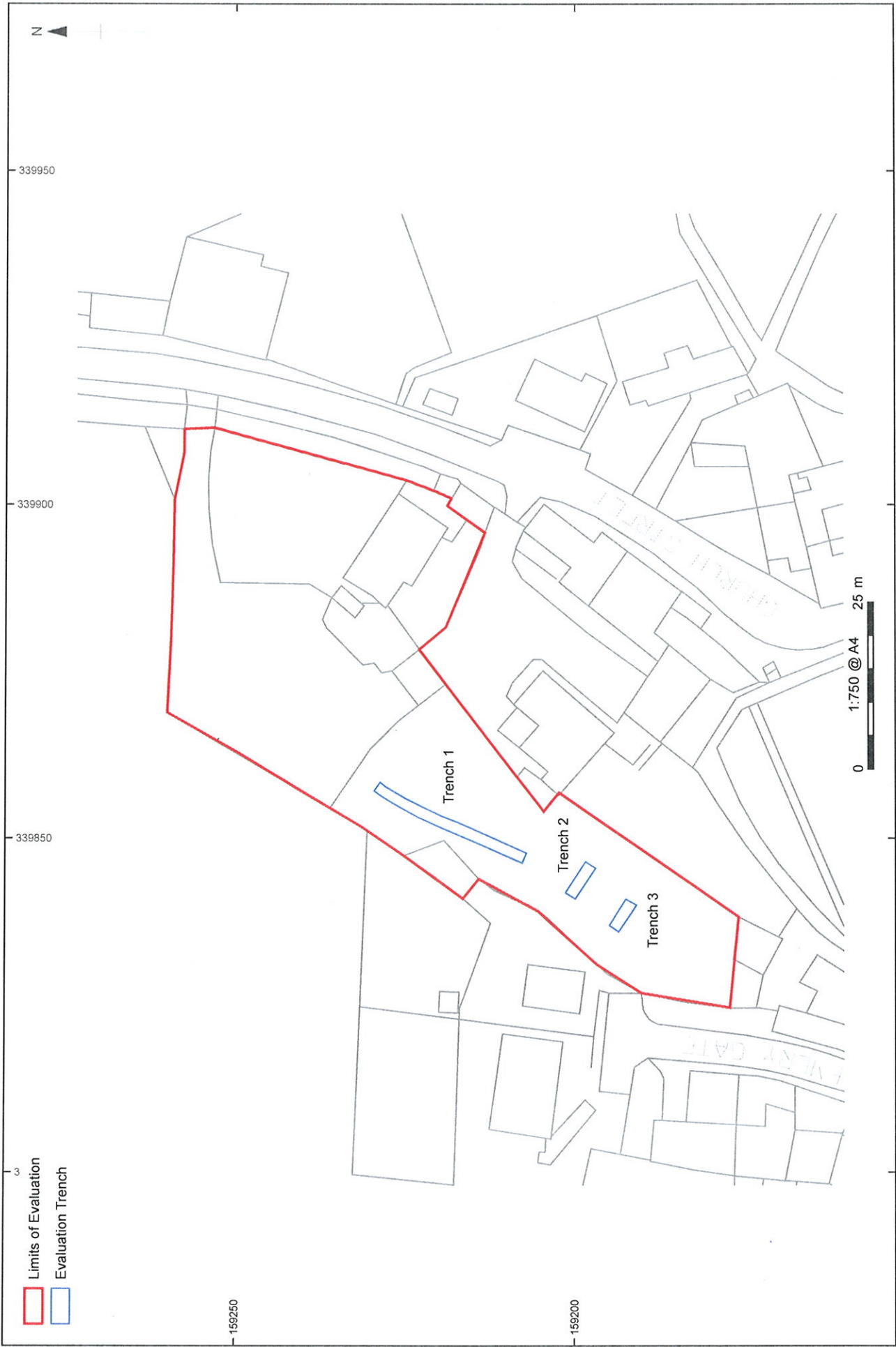


Figure 2: Trench Location Plan

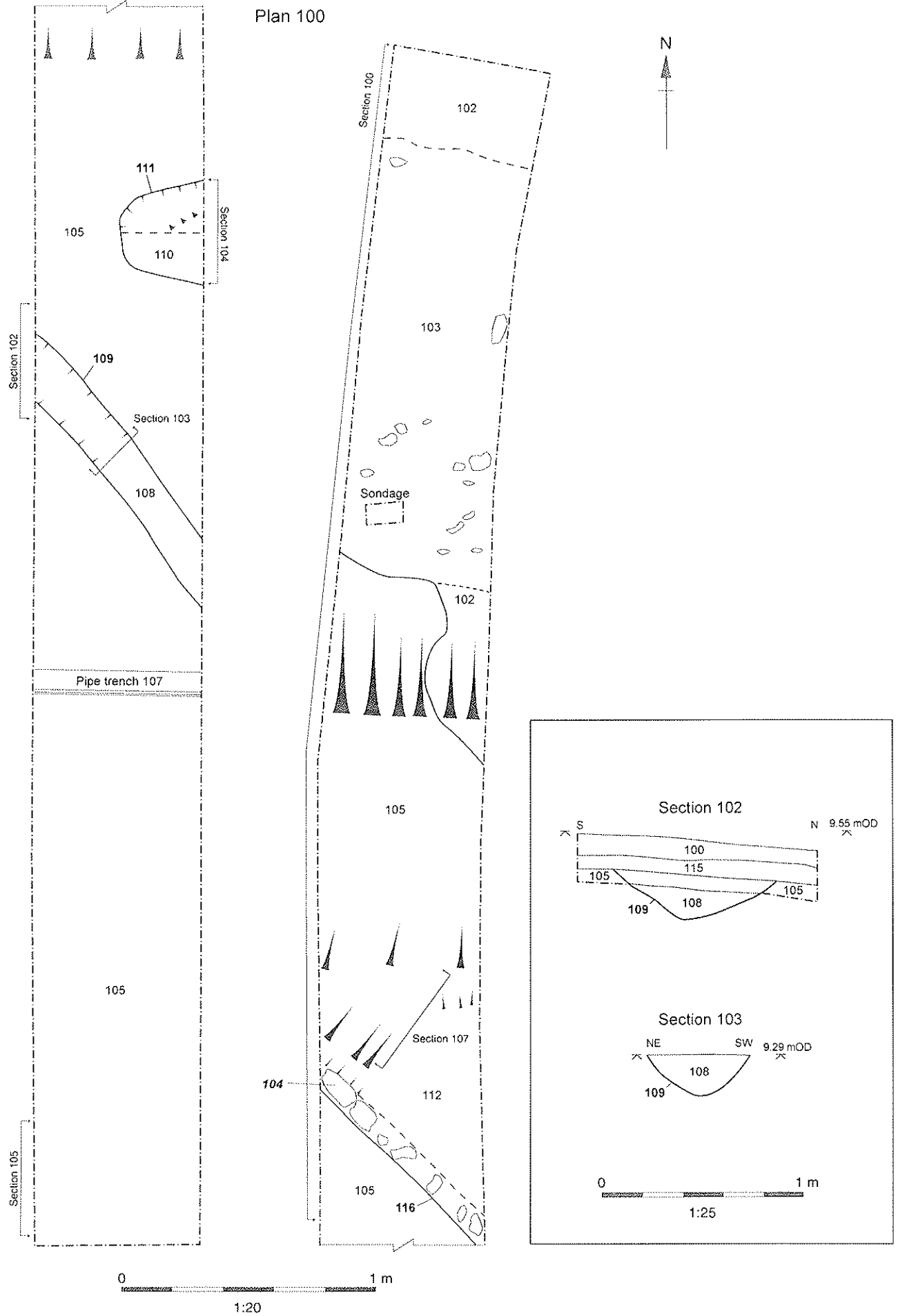


Figure 3+4: Trench 1 plan and sections of ditch 109

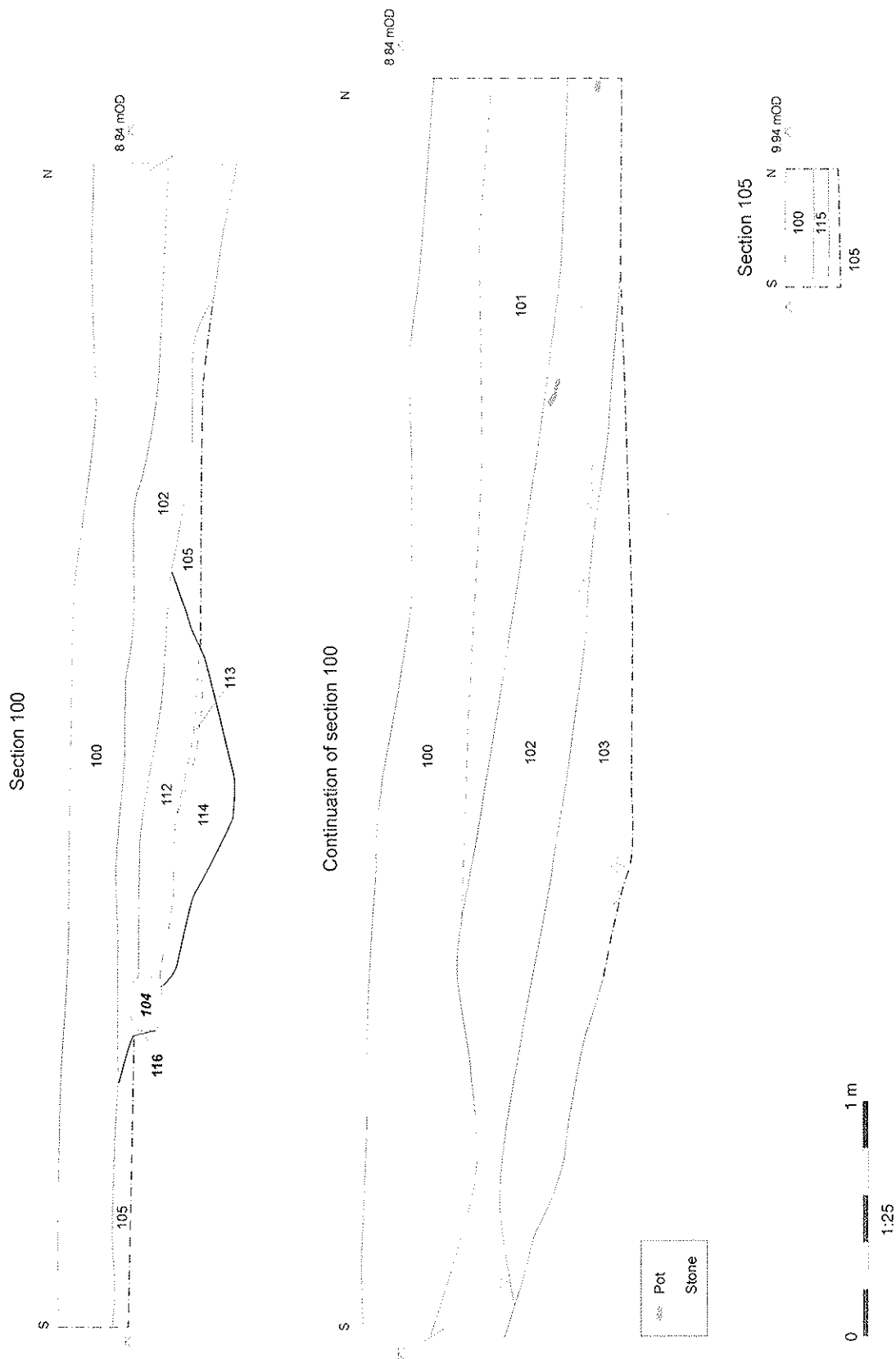


Figure 5+6: Trench 1 sections, northern end of the trench (section 100) and sample section, southern end of trench (section 105)

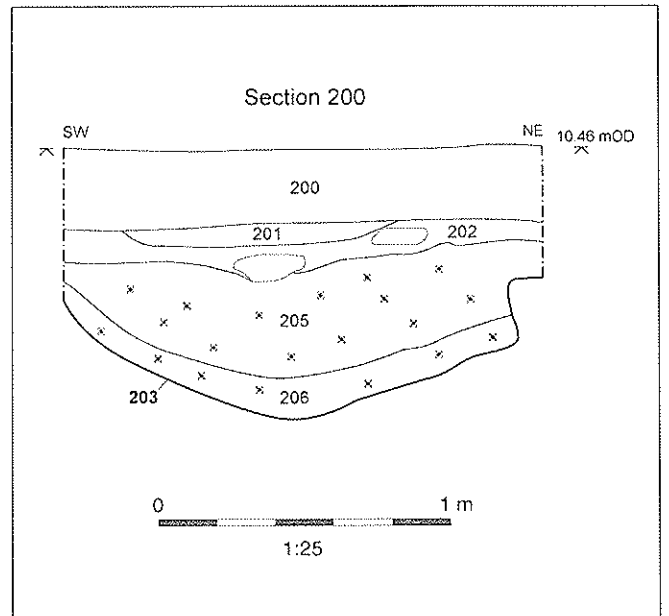
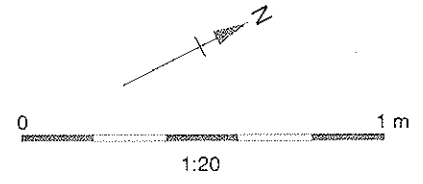
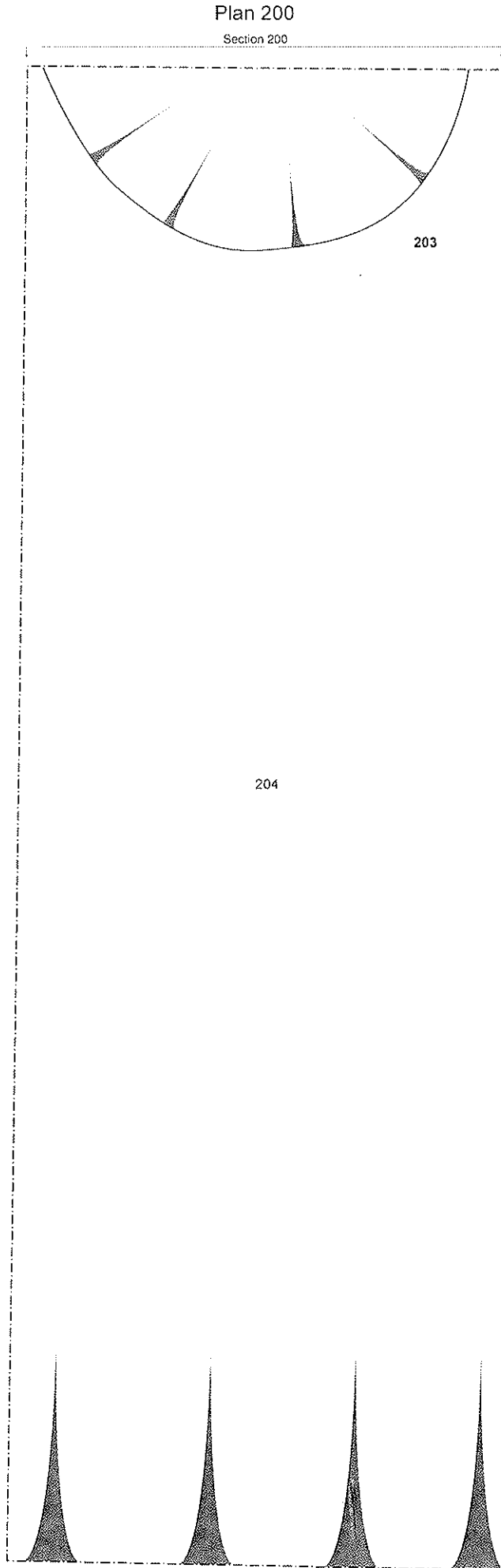


Figure 7+8:
Trench 2 plan and section of pit 203



Plate 1: Trench 1 looking S



Plate 2: Trench 1 looking N

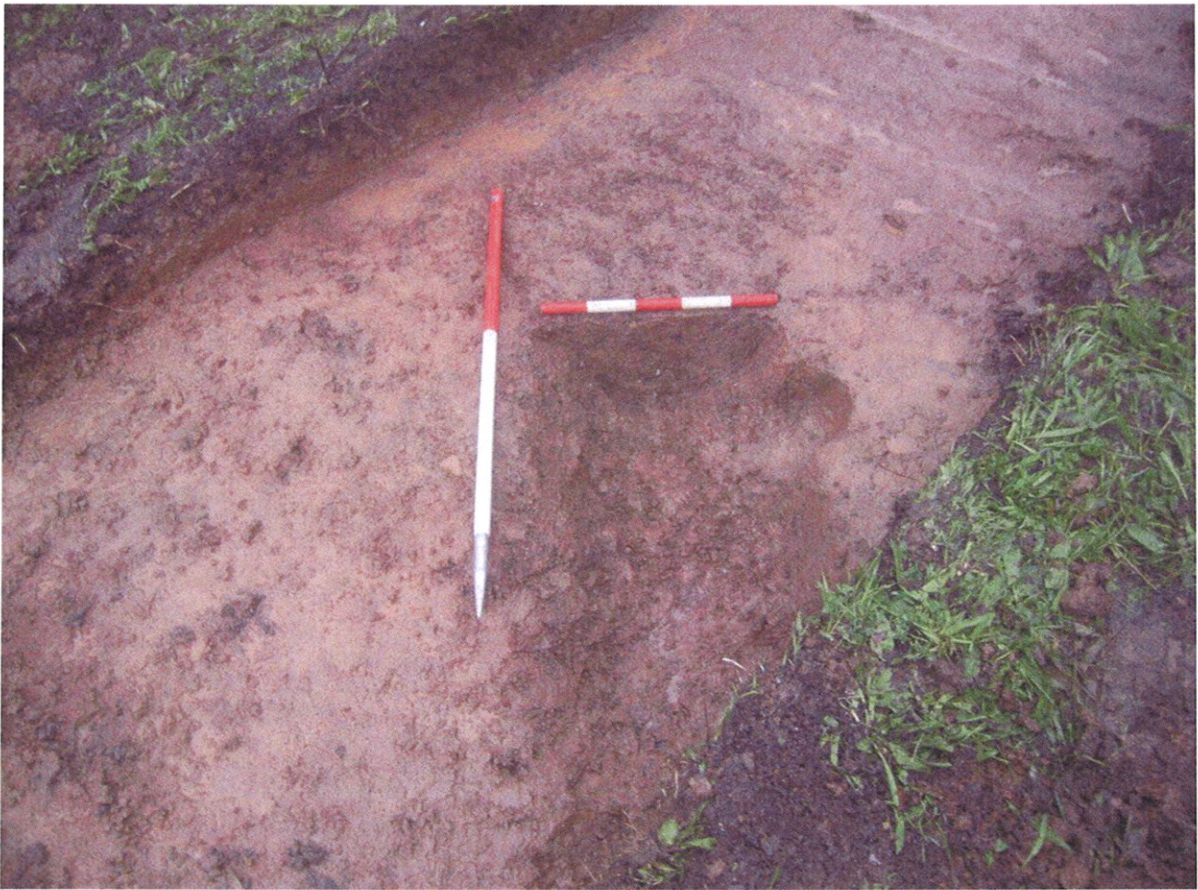


Plate 3: Trench 1, ditch 109, looking SE



Plate 4: Trench 1, stone alignment 104, looking SE



Plate 5: Trench 1, deposits 112-114, looking SE



Plate 6: Trench 1, stone alignment 104 and deposit 112, looking NW



Plate 7: Trench 1, stone alignment 104 and deposits 112-114, looking W



Plate 8: Trench 1, northern part of the trench section, looking SW



Plate 9: Trench 2, working shot, looking W



Plate 10: Trench 2, pit 203 pre-excitation, looking N



Plate 11: Trench 2, pit 203 section, looking W



Plate 12: Trench 3, plan view, looking E



**Head Office/Registered Office/
OA South**

Janus House
Osney Mead
Oxford OX2 0ES

t: +44 (0) 1865 263 800
f: +44 (0) 1865 793 496
e: info@oxfordarchaeology.com
w: <http://oxfordarchaeology.com>

OA North

Mill 3
Moor Lane
Lancaster LA1 1QD

t: +44 (0) 1524 541 000
f: +44 (0) 1524 848 606
e: [oanorth@oxfordarchaeology.com](mailto: oanorth@oxfordarchaeology.com)
w: <http://oxfordarchaeology.com>

OA East

15 Trafalgar Way
Bar Hill
Cambridgeshire
CB23 8SQ

t: +44 (0) 1223 850500
e: [oaeast@oxfordarchaeology.com](mailto: oaeast@oxfordarchaeology.com)
w: <http://oxfordarchaeology.com>



Director: Gill Hey, BA PhD FSA MIFA
Oxford Archaeology Ltd is a
Private Limited Company, N^o: 1618597
and a Registered Charity, N^o: 285627