



Magdalen College, Oxford

Winter Common Room

Archaeological Watching Brief Report

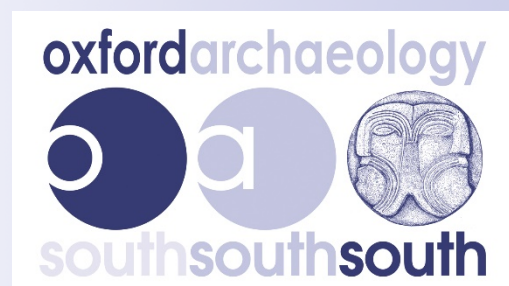
3rd April 2019

Client: Magdalen College, Oxford

Issue No: 1

OA Reference No: 7306

NGR: Centered on SP 5210 0616



Document Title: Magdalen College, Oxford - Winter Common Room

Document Type: Archaeological Watching Brief Report

Grid Reference: SP 5210 0616

Planning Reference: 18/03282/LBC and 18/03281/FUL

Site Code: OXMWCR19

Invoice Code: OXMWCRWB

OA Document File Location: \\10.0.10.86\Projects\o\Oxford_Magdalen College Winter Common Room\Report

OA Graphics File Location: \\10.0.10.86\invoice codes i thru q\O_codes\OXMWCRWB

Issue No: V1

Date: 3rd April 2019

Prepared by: Chris Pickard (Assistant Supervisor)

Checked by: Ben Ford (Project Manager)

Edited by: Ben Ford (Project Manager)

Approved for Issue by: Ken Welsh (Regional Manager)

Disclaimer:

This document has been prepared for the titled project or named part thereof and should not be relied upon or used for any other project without an independent check being carried out as to its suitability and prior written authority of Oxford Archaeology being obtained. Oxford Archaeology accepts no responsibility or liability for the consequences of this document being used for a purpose other than the purposes for which it was commissioned. Any person/party using or relying on the document for such other purposes agrees and will by such use or reliance be taken to confirm their agreement to indemnify Oxford Archaeology for all loss or damage resulting therefrom. Oxford Archaeology accepts no responsibility or liability for this document to any party other than the person/party by whom it was commissioned.

OA South

Janus House
Osney Mead
Oxford
OX2 0ES
t. +44 (0)1865 263 800

OA East

15 Trafalgar Way
Bar Hill
Cambridge
CB23 8SQ
t. +44 (0)1223 850 500

OA North

Mill 3
Moor Lane Mills
Moor Lane
Lancaster, LA1 1QD
t. +44 (0)1524 880 250

e. info@oxfordarch.co.uk

w. oxfordarchaeology.com

Oxford Archaeology is a registered Charity: No. 285627



Magdalen College, Oxford - Winter Common Room

Archaeological Watching Brief Report

Written by Chris Pickard and Ben Ford

With illustrations by Charles Rousseaux

Centred on SP 5210 0616

Contents

| | |
|--|-----------|
| Summary..... | vii |
| Acknowledgements..... | viii |
| 1 INTRODUCTION..... | 1 |
| 1.1 Scope of work..... | 1 |
| Location, topography and geology..... | 2 |
| 2 ARCHAEOLOGICAL AND HISTORICAL BACKGROUND AND POTENTIAL..... | 3 |
| 2.1 Previous works (shown on Fig. 2)..... | 3 |
| 2.2 Archaeological and historical background and potential..... | 3 |
| 3 PROJECT AIMS..... | 5 |
| 3.1 General..... | 5 |
| 3.2 Specific aims and objectives..... | 5 |
| 4 PROJECT SPECIFIC EXCAVATION AND RECORDING METHODOLOGY..... | 6 |
| 4.1 Scope of works..... | 6 |
| 5 RESULTS 7 | |
| 5.1 Introduction and presentation of results..... | 7 |
| 5.2 General soils and ground conditions..... | 7 |
| 5.3 General distribution of archaeological deposits..... | 7 |
| 5.4 Trial Pit 1..... | 7 |
| 5.5 Trail Pit 2..... | 8 |
| 5.6 Trail Pit 3 and borehole..... | 8 |
| 6 DISCUSSION..... | 10 |
| 6.1 Reliability of field investigation..... | 10 |
| 6.2 Watching Brief objectives and results..... | 10 |
| 6.3 Interpretation..... | 10 |
| 6.4 Significance..... | 11 |

| | | |
|------------|---|----|
| APPENDIX A | TRENCH DESCRIPTIONS AND CONTEXT INVENTORY | 13 |
| APPENDIX B | BIBLIOGRAPHY | 15 |
| APPENDIX C | SITE SUMMARY DETAILS | 16 |

List of Figures

| | |
|--------|--------------------|
| Fig.1 | Site location map |
| Fig. 2 | Trial Pit Location |
| Fig 3 | Section 100 |
| Fig 4 | Section 101 |
| Fig 5 | Section 200 |
| Fig 6 | Section 300 |
| Fig 7 | Section 301 |

List of Plates

| | |
|---------|--------------------------------|
| Plate 1 | Wall 103 Section 101, 1m scale |
| Plate 2 | Section 200, 1m scale |
| Plate 3 | Section 300, 1m scale |
| Plate 4 | Wall 303 Section 301, 1m scale |

Summary

Oxford Archaeology (OA) were commissioned by Robert Langley, Surveyor at Magdalen College, Oxford to undertake an archaeological watching brief during initial Site Investigation (SI) works in advance of finalizing the foundation designs for the construction of the proposed new Stores and Butlers Office that forms part of the wider new Winter Common Room project. The SI works comprised the excavation of three trial pits, Nos. 1, 2 and 3 (each measuring c 0.60-0.7m wide by 1.2m long, and excavated to a depth of 1.5m b.g.l). These were located within the northern part of the Maintenance Yard against the walls of existing buildings. A single 10m deep borehole (for dynamic probing and window sampling) was placed at the eastern end of Trial Pit 3.

The trial pits were relatively small and difficult to access manually, however the sections were hand-cleaned and the records are an accurate representation of the sequences that were revealed. No artefacts or soil samples were recovered during the work.

The evidence from the trial pits strongly suggests that the truncation from the construction of the Maintenance Department in the late 20th century has removed all significant archaeology within the northern area of the Yard to a horizontal depth of between 0.63-0.68m b.g.l or 56.95 - 57.06m OD. Much deeper truncation, to at least 1.5m b.g.l was seen from the construction of the foundations for those buildings on the east side of the yard.

Below this level construction horizons consisting of building debris and ground-raising deposits associated with the building ranges on the north side (15th century) and west side (17th century) of Maintenance Yard survived, although they appear relatively homogenous in nature and of some, but limited significance.

Details of the below ground foundations for both the Maintenance Yards historic flanking ranges were revealed. The 15th century construction showed massive stepped limestone foundations which should be considered to be present along this elevation, at least in this SE corner (nearest to the Cherwell where the ground is likely to be the most unstable).

More curious was the 17th century range on the west side which appeared to reuse an earlier medieval wall. This wall, 103, extends well above the levels of the medieval Infirmary floors recorded by Durham in the 1980s and would suggest that, if medieval, 103 is a surviving element of a former upstanding wall, located internally to the postulated Infirmary. If this is the same structure as that observed in the Music Store Room (Structure 6, OA, 2009) it would suggest a major structural partition within the Infirmary. It is notable that wall 103 is on the same alignment and position as the eastern wall of the range of buildings that currently form the west side to Maintenance Yard and perhaps suggests some previously unknown upstanding survival of medieval fabric within the College layout in this area.

Acknowledgements

Oxford Archaeology would like to thank Robert Langley, Surveyor at Magdalen College for commissioning this project. Thanks is also extended to David Robinson at Robinson Thorne Architects for consultation on the trial pit locations and for producing the plan from which Figure 2 is based. David Radford of Oxford City Council has also been helpful with his advice, guidance and monitoring of the fieldwork.

The project was managed for Oxford Archaeology by Ben Ford and the fieldwork was undertaken by Chris Pickard.

1 INTRODUCTION

1.1 Scope of work

1.1.1 Oxford Archaeology (OA) were commissioned by Robert Langley, Surveyor at Magdalen College, Oxford to undertake an archaeological watching brief during initial Site Investigation (SI) works in advance of finalizing the foundation designs for the construction of the proposed new Stores and Butlers Office that forms part of the wider new Winter Common Room project (Planning Ref: 18/03282/LBC and 18/03281/FUL) (Fig. 1).

1.1.2 The SI works comprised the excavation of three trial pits, Nos. 1, 2 and 3 (each measuring c 0.60-0.7m wide by 1.2m long, and excavated to a depth of 1.5m b.g.l). These were located within the northern part of the Maintenance Yard against the walls of existing buildings. A single 10m deep borehole (for dynamic probing and window sampling) was placed at the eastern end of Trial Pit 3. The trial pits were positioned to give good coverage over the footprint of the proposed building, to reveal information on the nature of the ground in the area, and the nature, form and depth of existing foundations to the extant buildings that bound the area to East, West and North.

1.1.3 The length of the trial pits was extended from their original size to increase the probability of revealing in-situ archaeological remains beyond the construction cuts for the foundations to these buildings. All the information gained from these works will inform the final foundation design, which currently includes a limited number of piles and relatively shallow ground-beams to support the floors and super-structure.

1.1.4 The work was undertaken in relation to discussions and agreement between Magdalen College, Oxford Archaeology, the architect and David Radford, City Archaeologist, and pertain to his internal Planning Consultation Response regarding archaeology, issued on 22nd January 2019, which stated;

"No development shall take place until the applicant, or their agents, has secured the implementation of a programme of archaeological work in accordance with a written scheme of investigation which has been submitted by the applicant and approved by the planning authority. All works shall be carried out and completed in accordance with the approved written scheme of investigation, unless otherwise agreed in writing by the Local Planning Authority."

Reason: Because the development may have a damaging effect on known or suspected elements of the historic environment of the people of Oxford and their visitors, including medieval and post-medieval remains (Policy HE2).

"No development shall take place until the applicant, or their agents, has submitted a detailed method statement for the construction of foundations and services which has been submitted by the applicant and approved by the planning authority. All works shall be carried out and completed in accordance with the approved written scheme of investigation, unless otherwise agreed in writing by the Local Planning Authority."

Reason: To ensure that the foundations required are designed in such a way as to minimise unnecessary impacts on below ground archaeological remains (Policy HE2).

1.1.5 This report covers these SI works only. A subsequent WSI(s) will be required to address any resultant archaeological impacts and the mitigation needed in relation to the final foundation/services design. A separate WSI will also be required to address impacts and their mitigation resulting from alterations to the extant historic structural fabric of the college affected by the wider project.

1.1.6 All work was undertaken in accordance with the relevant guidance issued by the Chartered Institute for Archaeologists as well as local National Planning Policies and Guidance.

Location, topography and geology

1.1.7 The college lies within modern Oxford, on the north side of High Street, to the west of Magdalen Bridge and the River Cherwell and east of Longwall Street.

1.1.8 The Site is situated at the northern end of a Maintenance Yard (which has gated access onto the High Street at its' southern end) within the SW corner of the historic core of Magdalen College, centred on National Grid Reference (NGR) SP 5210 0616 (Fig 1).

1.1.9 Maintenance Yard is bounded on three sides by existing buildings. To the north is the buttressed southern elevation of the South Range of the Great Quadrangle, which contains the current Winter Common Room and a series of storage rooms (with Hall above), this was built in the 15th century. To the west is the eastern elevation of a range that currently contains the Ante Room, Kitchen and Butlers office, this was built in the 17th century, but the eastern elevation was rebuilt in the 19th century, with significant stone refacing work also undertaken in the 20th century. To the east are workshops and stores for the Maintenance Department, these were constructed at the end of the 20th century.

1.1.10 Topographically the college sits in a position between the western edge of low-lying ground that formed the Cherwells natural floodplain and the eastern edge of the elevated gravel promontory, upon which medieval Oxford developed. The site itself sits c 20m from the current western bank of the River Cherwell, a position that historically would have been liable to seasonal flooding, but would not have been permanently wet.

1.1.11 The site currently occupies relatively level ground which slopes down slightly to the east, at approximately 60mOD. The underlying geology is First Terrace River Gravel and Oxford Clay (BGS Sheet 236), probably overlain by alluvial silts.

2 ARCHAEOLOGICAL AND HISTORICAL BACKGROUND AND POTENTIAL

2.1 Previous works (shown on Fig. 2)

2.1.1 The footprint of the proposed new building falls squarely inside the northern half of the suggested footprint of the medieval Infirmary of the Hospital of St John the Baptist. The archaeological remains of the Infirmary and extant college fabric from other buildings belonging to the hospital were discovered during archaeological work in 1987 (Durham, 1991), these have been transposed onto the measured survey that forms the base plan to Fig. 2 in this WSI. Durham's report indicates that the internal floors in the eastern part of the infirmary building were encountered at c 56.30mOD (*ibid.* Fig. 6), whereas the medieval kitchen floors were encountered at c 56.60mOD. Medieval floors relating to the hall are suggested to lie at 56.00mOD (*ibid.* Fig. 7).

2.1.2 In 2008 an archaeological watching brief in the Music Store and Linen Room (OA, 2009 and shown on Fig. 2) indicated the survival of archaeological remains of an earlier, pre-college wall following the alignment of the medieval infirmary (perhaps a concurrent internal wall). This was encountered at a depth of 400mm b.g.l or 56.90mOD.

2.2 Archaeological and historical background and potential

2.2.1 The following is not meant to be a comprehensive archaeological background, but has been taken directly from David Radfords internal Planning Consultation Response (OCC, 2019) and highlights the salient archaeological potential of the site.

2.2.2 The trial pits are located within the vicinity of a burial ground belonging to Oxford's 12th-13th century medieval Jewish community. The Hospital of St John the Baptist was then established on the site in the 13th century, and subsequently parts of the hospital were incorporated into the fabric of Magdalen College after its' foundation in the late 15th century. The [Maintenance Yard] therefore had the potential for human remains (although unproven in this location), medieval hospital floor layers [occupation and structural remains relating to the Infirmary] as well as waste assemblages associated with the late-medieval and post-medieval use of the college and its kitchen. Any archaeological remains of the Jewish burial ground, the medieval hospital and late-medieval - post-medieval college are technically undesignated heritage assets but would have considerable archaeological significance.

2.2.3 It can be noted that previous excavations in 1987, which focused on the eastern part of the medieval hospital, close to the river Cherwell, did not record human remains this far to the east, where land adjacent to the river was probably affected by seasonal flooding. The results of the 1987 investigations suggest that the proposed buildings' footprint is located within the suggested extent of a large east-west medieval building associated with the hospital [the Infirmary] (see below) and that the site has the potential to preserve evidence for floor sequences, sub divisions/cubicules and further information regarding the plan of this structure (for example whether it was aisled or comprised of parallel 'halls').

2.2.4 The 1987 investigations were undertaken prior to the completion of a new kitchen block east of the kitchen yard (Durham 1991). The construction of foundations for the western

wall of the current kitchen block were observed in 1987 and features were recorded and planned, however no section drawing or levels for these features are provided in the published report. The current scheme proposes to re-use the foundation pad established on the western side on the 1987 block.

2.2.5 Furthermore, the 1987 excavation revealed the exterior walls of the medieval hospital building surviving at a height of 56.80mOD to the south of the kitchen yard site. Unrelated floor make-up layers (assumed to relate to a subsequent post-medieval structure shown on historic maps in the southern part of the kitchen yard) were recorded here at a height of 57.10mOD. The yard itself is shown in the 1991 OAU report as falling within the extent of the watching brief however no further information is published on this element of those works, it seems likely that this relates to monitoring during the relaying of the stone flags and any bedding layers rather than any deeper interventions.

3 PROJECT AIMS

3.1 General

3.1.1 The general aims of the watching brief are to determine and understand the nature, function and character of any archaeological remains within their cultural and environmental setting. Other general aims include:

- to determine or confirm the approximate date or date range of any remains, by means of artefactual or other evidence,
- establish the presence/absence of archaeological remains and burials within the Trial Pits (to be excavated to -1.5m b.g.l),
- determine and confirm the character of any remains present,
- determine or estimate the date range of any remains from artefacts or otherwise,
- establish the ecofactual and environmental potential of archaeological deposits within the site and to take samples where appropriate,
- to generate an accessible and useable archive which will allow future research to be undertaken if appropriate,
- to disseminate the results of the work in a format and manner proportionate to the significance of the findings.

3.2 Specific aims and objectives

3.2.1 The specific aims and objectives of the watching brief are:

- to obtain the geo-technical and structural data the engineers require,
- to seek to avoid any unnecessary loss of significant archaeology,
- ensure that where there is an unavoidable impact on archaeological remains that an adequate record is produced,
- to identify any structural remains, and occupation horizons from the medieval Hospital of St John, that would add to the current body of knowledge of those structures,
- to record and leave any human remains that may be revealed in-situ
- to collect technical data as to the absolute height of the first significant archaeological horizon
- to use the data gathered to inform further design of the proposed buildings foundations.

3.2.2 The programme of archaeological investigation was conducted within the general research parameters and objectives defined by 'Solent-Thames Research Framework for the Historic Environment Resource Assessments and Research Agendas' (Hey and Hind 2014).

4 PROJECT SPECIFIC EXCAVATION AND RECORDING METHODOLOGY

4.1 Scope of works

4.1.1 The SI works comprised the excavation of three Trial Pits (each measuring between 0.60 - 0.70m wide by 1.2m long, and excavated to 1.5m b.g.l) located within the northern part of the Maintenance Yard (Fig. 2). A single 10m deep borehole (for dynamic probing and window sampling) was placed at the eastern end of Trial Pit 3. The trial pits were positioned to give good coverage over the footprint of the proposed Kitchen and Served to reveal information on the nature of the ground in the area, and the nature, form and depth of existing foundations to the extant buildings that bound the area to East, West and North. The length of the trial pits has been extended to increase the probability of revealing in-situ archaeological remains beyond the construction cuts for these buildings. All the information gained will be used to inform the final foundation design, which currently includes a limited number of piles and relatively shallow ground-beams.

5 RESULTS

5.1 Introduction and presentation of results

5.1.1 The results of the watching brief are presented below and include a stratigraphic description of the trial pits that contained archaeological remains. The full details of all trenches with dimensions and depths of all deposits can be found in Appendix A.

5.1.2 Context numbers reflect the trial pit numbering unless otherwise stated e.g. wall 103 is a feature within Trail Pit 1, while layer 201 is a deposit within Trail Pit 2.

5.1.3 No artefacts or soil samples were recovered from the watching brief, and therefore there are no specialist reports.

5.2 General soils and ground conditions

5.2.1 The natural geology was not encountered in any of the Trial Pits (TP) when dug to 1.5m b.g.l, however it was encountered in the borehole positioned within Trail Pit 3, see below.

5.2.2 Ground conditions throughout the evaluation were good, and the trenches remained dry throughout.

5.3 General distribution of archaeological deposits

5.3.1 Archaeological layers were present in Trail Pits 1 and 3 that consisted of undated demolition /disuse and possible construction horizons that were probably late medieval in date. A wall foundation in TP 1 that sat underneath the current building was also probably medieval in date. Wall foundations located in TP3 under an extant buttress had mortar that was characteristic of early Tudor walls as found elsewhere at the College in previous excavations (OA, forthcoming). In TP2 on the eastern side of the Maintenance Yard the main area of the trench was taken up with extensive stepped concrete foundations and their associated construction cut and modern backfill for the current building (to the extent that the trial pit was located entirely within the construction cut whose extents lay to the west of the trial pit).

5.4 Trial Pit 1

5.4.1 The earliest feature in TP1 was a medieval structure 103 which was at least 0.95m high with an upper-most height of 57.23m OD (400mm b.g.l). The structure, probably a former upstanding wall of which the eastern face was revealed, was built in roughly coarsed and worked rectangular, but relatively thin and small limestone blocks measuring on average 90 x 50 x 30mm in size and bonded with a yellowish brown sandy-silt mortar.

5.4.2 A series of layers abutted the eastern face of structure 103, the earliest deposit was a mixed demolition layer, 107, which was at least 0.25m thick with an upper horizon at 56.40m OD. This contained frequent limestone building rubble in a clayey-silt matrix. Overlaying 107 was a mid grey brown sandy-silt layer 106 with occasional charcoal flecks and oyster shell fragments. On top of 106 was layer 105 a stoney yellowish brown sandy silt with flecks of charcoal and oyster shell with very patchy off white sandy mortar on the upper surface. Layer

105 was in turn sealed by layer 104 (upper horizon at 56.98m OD) that comprised yellow brown and grey brown sandy silts with frequent stone rubble.

5.4.3 Above layer 104 was cut 110 for a copper pipe, 111, which had been backfilled with very loose shingle 109. The pipe traversed the eastern edge of the TP on a NW/SE alignment. Overlying the pipe backfill was a c 0.60m thick layer of light purple Type 1 stone 108 (upper horizon at 57.46m OD). Overlaying 108 was a layer of concrete 102 onto which the current granite setts 101 and 110 and a kerb-stone 109 of the Maintenance Yard were laid which formed a level surface against the building at 57.68m OD. All deposits from 108 up abutted structure 100, immediately built upon structure 103, and appears to be a separate phase of foundation to the range of extant buildings above. This may relate to the 17th century construction date for this building (VCH, Dated Plan folder facing p204); clearly the upstanding stonework above is more recent and relates to the 19th or 20th century rebuild and repairs to this elevation.

5.5 Trail Pit 2

5.5.1 TP2 was primarily taken up with a two-stepped offset concrete foundation 205 for the current wall 200 on the eastern side of the Maintenance Yard. The lower step at 56.57m OD was 0.58m wide and at least 0.40m deep whilst the upper step at 57.04m OD was 0.47m wide and 0.56m high. The construction cut 206 for these foundations was not exposed within the confines of the trench. The construction cut backfill 204 over the lower step was a mixed stone rubble deposit with frequent animal bones, charcoal and oyster shells and general rubbish including crisp packets dating to the mid 1980's.

5.5.2 The upper step was sealed by a 0.35m thick layer of light purple Type 1 material 203 with an upper horizon at 57.35m OD. Overlying 203 was a layer of concrete 202 into which the granite setts 201 of the current courtyard were laid at 57.57m OD.

5.6 Trail Pit 3 and borehole

5.6.1 The earliest deposits were observed within the borehole undertaken at the eastern end of the excavated TP3. Oxford Clay was reached at 50.79m OD (6.90m b.g.l). Overlying this was a series of coarse yellow-brown and brownish-yellow sandy gravels upto 54.19m OD (3.50m b.g.l). Between 3.50 – 3.30m b.g.l a mid-reddish brown sandy silt possibly a 'brickearth' but probably an oxidised alluvial horizon was recorded (ingress of ground water occurred at this level). From 3.30 - 2.10m b.g.l coarse yellow-brown sandy gravel was noted (although there was no recovery from 2.5 -3m). Between 2.10 – 2.00m b.g.l (upper horizon at 55.69m OD) was a layer of greyish white mortar. This was overlain by deposit 306 which was visible within the trial pit (see blow)

5.6.2 The earliest archaeology in TP3 was an off-set limestone foundation, 307, for overlying foundation, 308. Foundation 307 was recorded at 56.79m OD, and extended beyond the face of 308 by 0.45m. Three courses of well-shaped limestone blocks measuring 0.35m high were seen (but this probably extended below the base of the trial pit). Built upon 307 was 308 which was at least 0.55m high with an upper height of 57.49m OD, it was constructed in a similar way to 307 with its face almost directly aligned with the above elevation of the current buttress. Both elements to the buttress foundation were constructed of poorly coarsed hewn

rectangular blocks on average 250-350 x 80 x ?mm in size bonded with a reddish brown sandy mortar..

5.6.3 Layer 306, was a dark brownish-grey clayey silt containing limestone pieces. It possibly abutted 307, or was cut by a 'trench-built' construction cut for 307 which was not visible. The upper horizon to 306 was equal to the top of foundation 307. Layer 305 overlay foundation 307 and deposit 306, and comprised a reddish brown coarse sandy silt with moderate limestone inclusions.

5.6.4 Overlying 305 was a 0.30m thick layer of light purple Type 1 stone chippings 304 with an uppermost height of 57.39m OD (600mm b.g.l). Overlaying 304 was a levelling layer of rubble and concrete 303 which in turn had a layer of concrete 302 on top into which the granite setts 301 for the current Maintenance Yard surface were laid.

6 DISCUSSION

6.1 Reliability of field investigation

6.1.1 The watching brief was undertaken in good ground conditions with good light. The trial pits were relatively small and difficult to access manually, however the sections were hand-cleaned and the records are an accurate representation of the sequences that were revealed. Such restricted sized investigations do somewhat limit conclusive archaeological interpretations.

6.2 Watching Brief objectives and results

6.2.1 The principal objective to obtain technical information as to the depth at which significant archaeology exists at the site, and what the nature of that archaeology was have been achieved. The aim to be able to date the archaeological sequence from artefactual recovery was not achieved as no artefacts were present within the significant archaeological deposits. No soil samples were taken either.

6.3 Interpretation

6.3.1 Without any datable artefacts recovered during the Watching Brief interpretation is based upon the stratigraphic sequencing, the nature of the deposits and structures observed, and previous archaeological excavations, plus the Magdalen College entry in Victoria County History (VCH) Volume 3 for the History of the County of Oxford (VCH, 1954) which presents the architectural phasing of the various extant structures that define the boundaries to the site.

Geology and natural deposits

6.3.2 Oxford Clay was observed at 50.79m OD and this was overlain by a 3.4m thickness of sands and gravels that were probably deposited in the Pleistocene. The gravels were in turn overlain by 0.2m of alluvial silts, and then a further 1.2m deposit of gravels. Given the proximity of the site to the Cherwell this last, uppermost deposit of gravel has the potential to be a deliberate man-made ground raising episode, although no anthropogenic inclusions were noted. Without further boreholes it is difficult to fully interpret this sequence, however it appears to represent the natural accumulation of deposits you would expect at the edge of the Cherwell valley floor.

Medieval

6.3.3 The limestone wall, 103, in TP1 has a distinctly different appearance to any other stone structure at the site. Its' use of thin limestone blocks is very reminiscent of 12th – 13th century structures excavated at Longwall Quad (OA, forthcoming), as well as many other Oxford sites (e.g Postmaster Hall, Merton Street). If medieval, it is very significant as it would probably represent a survival of internal structural fabric relating to the Infirmary of the Hospital of St John the Baptist. The wall/foundation, 6, observed in the WB in the Music Room Store (OA, 2009) is on a similar alignment and may represent the western side of the same structure as 103 but further to the north. It should also be borne in mind that the building above this foundation was originally constructed in the 17th century, and structure 100 may relate to this

period. However, there was major rebuilding work to the eastern elevation in the 19th and 20th century and structure 100 may relate to this phase, and therefore there is still the possibility that 103 relates to the 17th century phase of construction.

6.3.4 The base of the TP 1 was at 56.28mOD, roughly equal to the height of previously excavated Infirmary floors (Durham, 1991), however no internal floor levels were observed abutting wall 103. The only deposit that resembled a possible floor was the mortar layer in the borehole in TP3, however this was recorded at 55.72m OD, significantly lower than floors in the Infirmary (*ibid.*).

6.3.5 Rubble-rich layers 107 (TP1) and 306 (TP3) appear to be the same deposit and potentially relate to the demolition (or partial demolition) of the medieval hospital to prepare the site for the construction in the late 15th century after Magdalen College was granted the site and commenced their extensive building campaign.

6.3.6 Details of the foundations and construction levels were seen for the 15th century buttress at the northern end of Maintenance Yard, this buttressed wall forms part of the southern wall to the southern range to the Great Quadrangle arguably one of the colleges most important architectural ensembles.

Post-medieval

6.3.7 Details of the foundations were also seen for the 17th century range on the western side of Maintenance Yard, as discussed above.

Modern

6.3.8 The Watching Brief has revealed that there is an extensive truncation associated with the late 20th century construction of the massed concrete foundations (structures 205 and 200) for the current Maintenance Department buildings on the east side of the site. The construction cut for these foundations, which are assumed to extend under the entire length of the western elevation of these buildings, is somewhere to the west of the limit of TP2 and at least 1.5m b.g.l deep (i.e. 56.06mOD or deeper). The layer of Type 1 stone chippings, 203, overlying the upper foundation off-set appears to be contemporary with this phase of construction and was seen in the other trial pits and to extend upto the buildings on the north side (TP 1 deposit 108) and west side (TP3 deposit 304) of the Yard.

6.4 Significance

6.4.1 The evidence from the trial pits strongly suggests that the truncation from the construction of the Maintenance Department in the late 20th century has removed all significant archaeology within the northern area of the Yard to a horizontal depth of between 0.63-0.68m b.g.l or 56.95 - 57.06m OD. Much deeper truncation, at least 1.5m b.g.l was seen from the construction of the foundations for those buildings.

6.4.2 Below this level construction horizons consisting of building debris and ground-raising deposits associated with the building ranges on the north side (15th century) and west side (17th century) of Maintenance Yard survived, although they appear relatively homogenous in nature and of some, but limited significance.

6.4.3 Details of the below ground foundations for both the Maintenance Yards historic flanking ranges were revealed. The 15th century construction showed massive stepped limestone foundations which should be considered to be present along this elevation, at least in this SE corner (nearest to the Cherwell where the ground is likely to be the most unstable).

6.4.4 More curious was the 17th century range on the west side which appeared to reuse an earlier medieval wall. This wall, 103, extends well above the levels of the medieval Infirmary floors recorded by Durham in the 1980s and would suggest that, if medieval, 103 is a surviving element of a former upstanding wall, located internally to the postulated Infirmary. If this is the same structure as that observed in the Music Store Room (Structure 6, OA, 2009) it would suggest a major structural partition within the Infirmary. It is notable that wall 103 is on the same alignment and position as the eastern wall of the range of buildings that currently form the west side to Maintenance Yard and perhaps suggests some previously unknown upstanding survival of medieval fabric within the College layout in this area.

APPENDIX A TRENCH DESCRIPTIONS AND CONTEXT INVENTORY

| Trail Pit 1 | | | | | | |
|---|---------|-----------|-----------|------------------------------|----------------|--------------------|
| General description | | | | | Orientation | E-W |
| Trail Pit 1 contained a probable Medieval wall that underlay the current building at the west of the yard. Butting up to the Medieval wall was a series of demolition /disuse layers and a possible construction horizon. | | | | | Length (m) | 1.2 |
| | | | | | Width (m) | 0.8 |
| | | | | | Avg. depth (m) | 1.5 |
| Context No. | Type | Width (m) | Depth (m) | Description | Finds | Date |
| 100 | Masonry | | | Building to west of yard | - | 20 th C |
| 101 | Masonry | 1.2 | 0.15 | Granite setts | - | 20 th C |
| 102 | Layer | 1.2 | 0.14 | Concrete bedding for 101 | | 20 th C |
| 103 | Masonry | 1.2 | 0.95- | Wall foundation | - | - |
| 104 | Layer | 1.2 | 0.33 | Demolition layer | | |
| 105 | Layer | 1.2 | 0.12 | Construction horizon | | |
| 106 | Layer | 1.2 | 0.13 | Disuse layer | | |
| 107 | Layer | 1.2 | 0.25 | Demolition layer | | |
| 108 | Layer | 1.2 | 0.6 | Layer of type 1 gravel | | 20 th C |
| 109 | Fill | 0.25 | 0.08 | Fill of cut for pipe | | |
| 110 | Cut | 0.25 | 0.08 | Cut for pipe | | |
| 111 | Masonry | 0.04 | 0.04 | Copper water pipe | | |
| 112 | Cut | 1.2 | 0.6 | Cut for construction horizon | | |
| Trail Pit 2 | | | | | | |
| General description | | | | | Orientation | E-W |
| Trail Pit 2 was mainly filled with concrete stepped foundations of the building located at the east of the yard. The construction cut for these foundations extended beyond the limits of the trench. | | | | | Length (m) | 1.2 |
| | | | | | Width (m) | 0.65 |
| | | | | | Avg. depth (m) | 1.5 |
| Context No. | Type | Width (m) | Depth (m) | Description | Finds | Date |

| | | | | | | |
|---|-------------|------------------|------------------|-------------------------------------|-----------------------|-------------|
| 200 | Masonry | | | Building to E of yard | - | - |
| 201 | Masonry | 1.2 | 0.08 | Granite setts | - | - |
| 202 | Layer | 1.2 | 0.14 | Concrete bedding for 101 | - | - |
| 203 | Layer | 1.2 | 0.6 | Layer of type 1 gravel | - | - |
| 204 | Fill | 0.75+ | 0.98 | c/cut backfill | | |
| 205 | Masonry | 1.05 | 0.96+ | Stepped foundation | | |
| 206 | Cut | 0.75+ | 0.96+ | Construction cut for 205 | | |
| 207 | Cut | 1.2 | 0.55 | Cut for construction horizon | | |
| Trail Pit 3 | | | | | | |
| General description | | | | | Orientation | E-W |
| Trail Pit 3 contained a probable early Post Medieval wall that underlay the current buttress for the building at the North end of the yard. This wall had a possible step to the east. Undated demolition layers butted up to these wall/foundations. | | | | | Length (m) | 1.2 |
| | | | | | Width (m) | 0.6 |
| | | | | | Avg. depth (m) | 1.5 |
| Context No. | Type | Width (m) | Depth (m) | Description | Finds | Date |
| 300 | Masonry | - | 0.15 | Wall buttress | - | - |
| 301 | Masonry | 1.2 | 0.08 | Granite setts | - | - |
| 302 | Layer | 1.2 | 0.14 | Concrete bedding for 301 | - | - |
| 303 | Layer | 1.2 | 0.14 | Rubble and concrete bedding for 301 | - | - |
| 304 | Layer | 1.2 | 0.33 | Layer of type 1 gravel | | |
| 305 | Layer | 1.2 | 0.28 | Construction horizon | | |
| 306 | Layer | 1.2 | 0.65 | Demolition layer | | |
| 307 | Masonry | 0.46 | 0.35 | Wall/buttress foundation (step?) | | |
| 308 | Masonry | - | 0.55 | Wall/buttress foundation | | |

APPENDIX B BIBLIOGRAPHY

- Brickley, M and McKinley, J 2004 Guidelines to the Standards for Recording Human Remains, IFA Paper No.7
- British Geological Survey Online, Geology of Britain Viewer, 2017
<http://mapapps.bgs.ac.uk/geologyofbritain/home.html>
- Chartered Institute for Archaeologists 2014 Standard and Guidance for Archaeological Excavation
- Durham, B, et al., 1991, The Infirmary and Hall of the Medieval Hospital of St. John the Baptist at Oxford. Oxoniensia LVI
- Hey, G and Hind, J (eds), 2014 Solent-Thames Research Framework for the Historic Environment: Resource Assessments and Research Agendas, Oxford: Oxford Wessex Monograph No. 6
- Oxford Archaeology, 2009, Old Bursary Opening-up Works, Magdalen College, Oxford. A Watching Brief Report. Client Report
- Oxford Archaeology, forthcoming, New Library, Longwall Quad, Magdalen College. Post-
- Oxford City Council, (Radford, D), 22nd January 2019, Internal Consultation Response related to Archaeology for Planning Ref: 18/03281/FUL
- VCH, Slater, H, E and Lobel, M, D eds., A history of Oxfordshire, Volume III The University of Oxford. Oxford University Press, 1954.

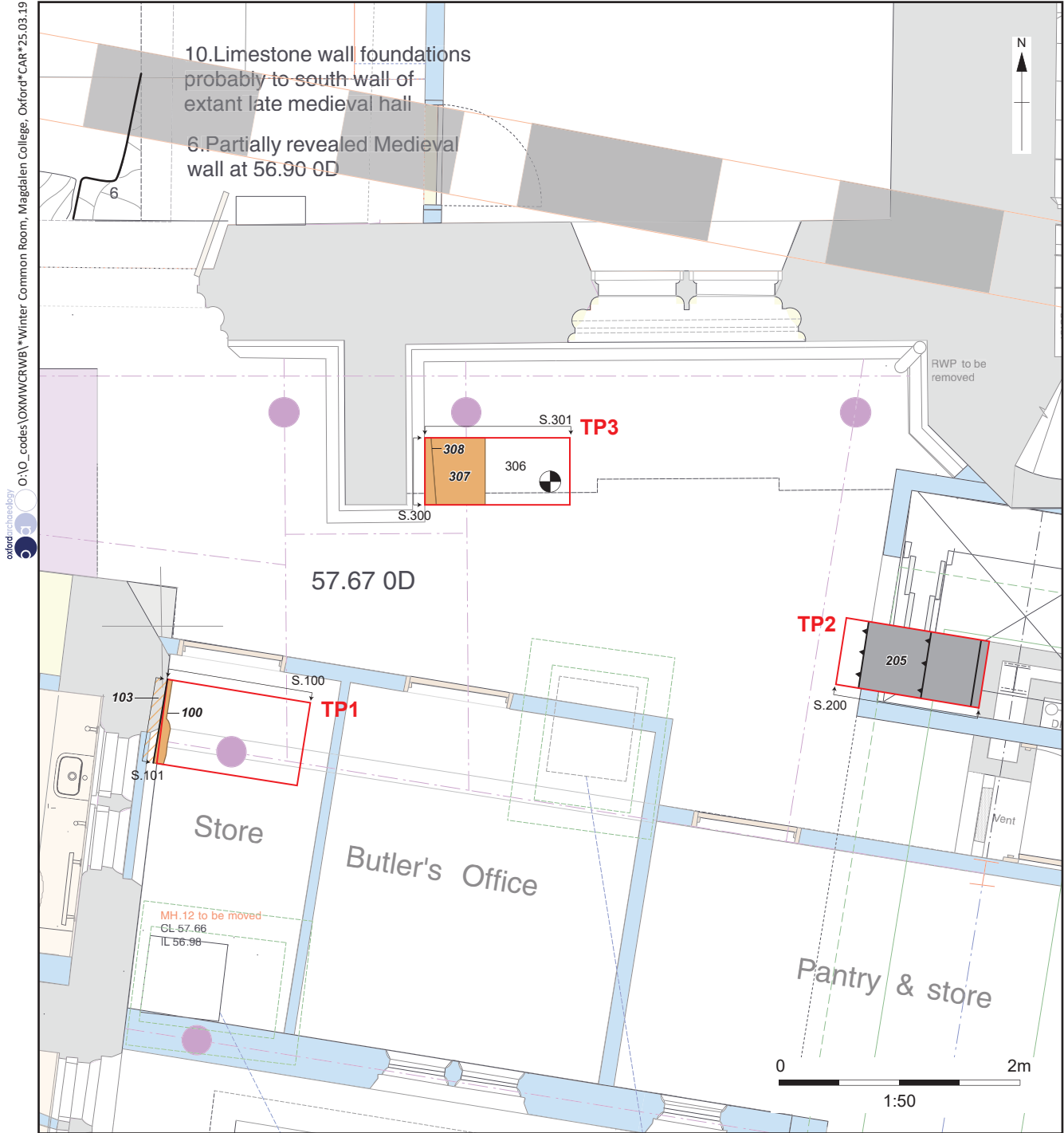
APPENDIX C**SITE SUMMARY DETAILS**

| | |
|-----------------------------|--|
| Site name: | Magdalen College, Oxford – Winter Common Room |
| Site code: | OXMWCRWB |
| Grid Reference | SP 5210 0616 |
| Type: | Watching Brief |
| Date and duration: | 18-21 March 22, 2019 |
| Area of Site | Approx. 35m sq. |
| Location of archive: | The archive is currently held at OA, Janus House, Osney Mead, Oxford, OX2 0ES |
| Summary: | <p>Oxford Archaeology (OA) were commissioned by Robert Langley, Surveyor at Magdalen College, Oxford to undertake an archaeological watching brief during initial Site Investigation (SI) works in advance of finalizing the foundation designs for the construction of the proposed new Stores and Butlers Office that forms part of the wider new Winter Common Room project. The SI works comprised the excavation of three trial pits, Nos. 1, 2 and 3 (each measuring c 0.60-0.7m wide by 1.2m long, and excavated to a depth of 1.5m b.g.l). These were located within the northern part of the Maintenance Yard against the walls of existing buildings. A single 10m deep borehole (for dynamic probing and window sampling) was placed at the eastern end of Trial Pit 3.</p> <p>The trial pits were relatively small and difficult to access manually, however the sections were hand-cleaned and the records are an accurate representation of the sequences that were revealed. No artefacts or soil samples were recovered during the work.</p> <p>The evidence from the trial pits strongly suggests that the truncation from the construction of the Maintenance Department in the late 20th century has removed all significant archaeology within the northern area of the Yard to a horizontal depth of between 0.63-0.68m b.g.l or 56.95 - 57.06m OD. Much deeper truncation, to at least 1.5m b.g.l was seen from the construction of the foundations for those buildings on the east side of the yard.</p> <p>Below this level construction horizons consisting of building debris and ground-raising deposits associated with the building ranges on the north side (15th century) and west side (17th century) of</p> |

Maintenance Yard survived, although they appear relatively homogenous in nature and of some, but limited significance.

Details of the below ground foundations for both the Maintenance Yards historic flanking ranges were revealed. The 15th century construction showed massive stepped limestone foundations which should be considered to be present along this elevation, at least in this SE corner (nearest to the Cherwell where the ground is likely to be the most unstable).

More curious was the 17th century range on the west side which appeared to reuse an earlier medieval wall. This wall, 103, extends well above the levels of the medieval Infirmary floors recorded by Durham in the 1980s and would suggest that, if medieval, 103 is a surviving element of a former upstanding wall, located internally to the postulated Infirmary. If this is the same structure as that observed in the Music Store Room (Structure 6, OA, 2009) it would suggest a major structural partition within the Infirmary. It is notable that wall 103 is on the same alignment and position as the eastern wall of the range of buildings that currently form the west side to Maintenance Yard and perhaps suggests some previously unknown upstanding survival of medieval fabric within the College layout in this area.



- Concrete
- Stone
- Borehole
- Proposed pile + beam
- Proposed wall

Figure 2: Trial pit location

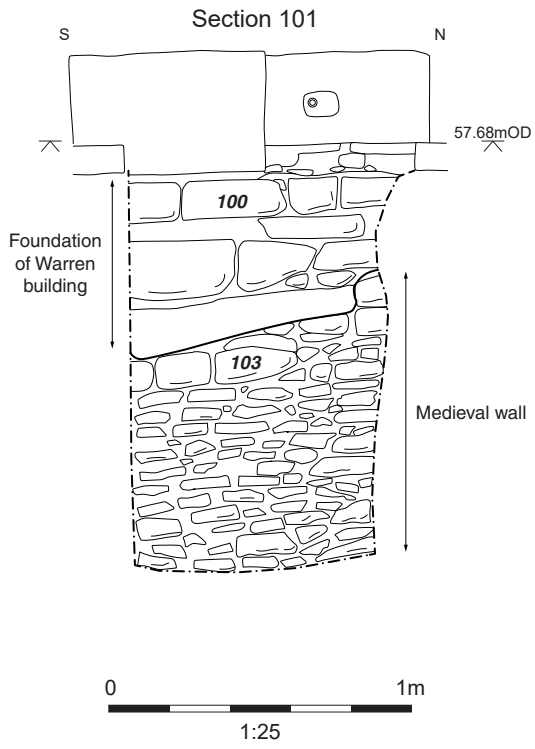


Figure 4: Section 101

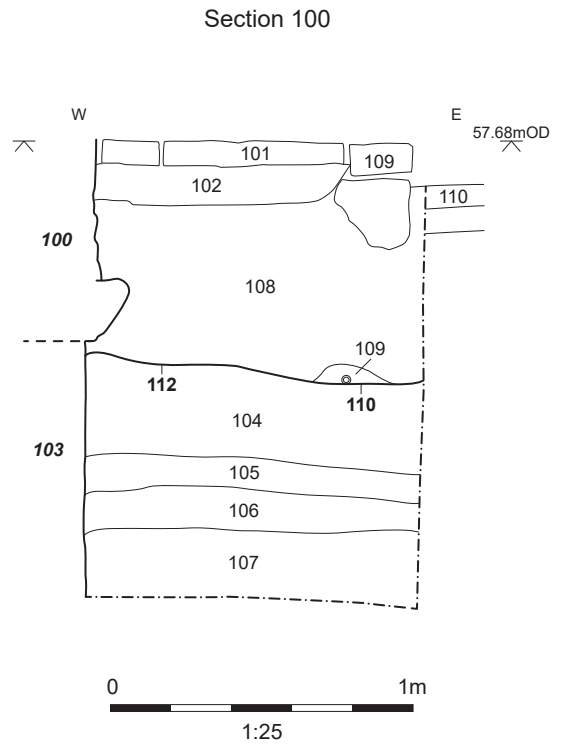


Figure 3: Section 100

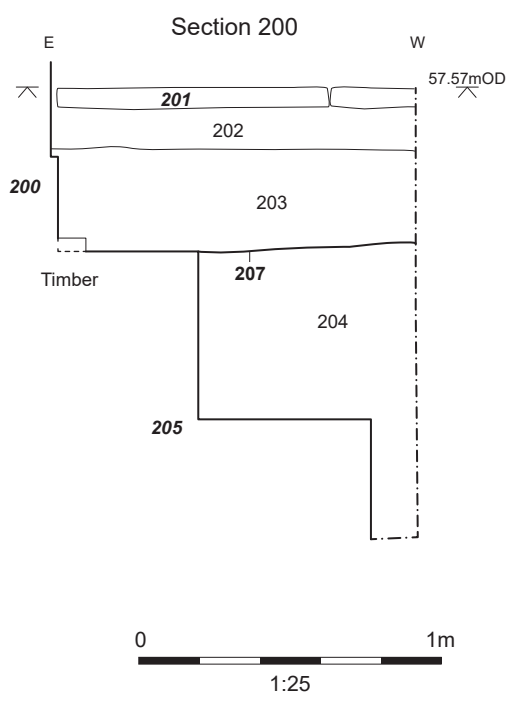


Figure 5: Section 200

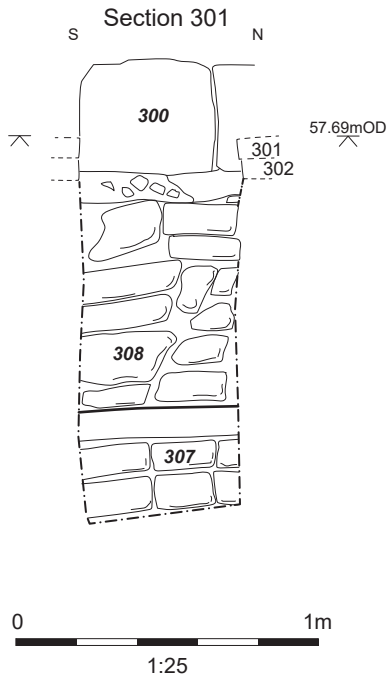


Figure 6: Section 300

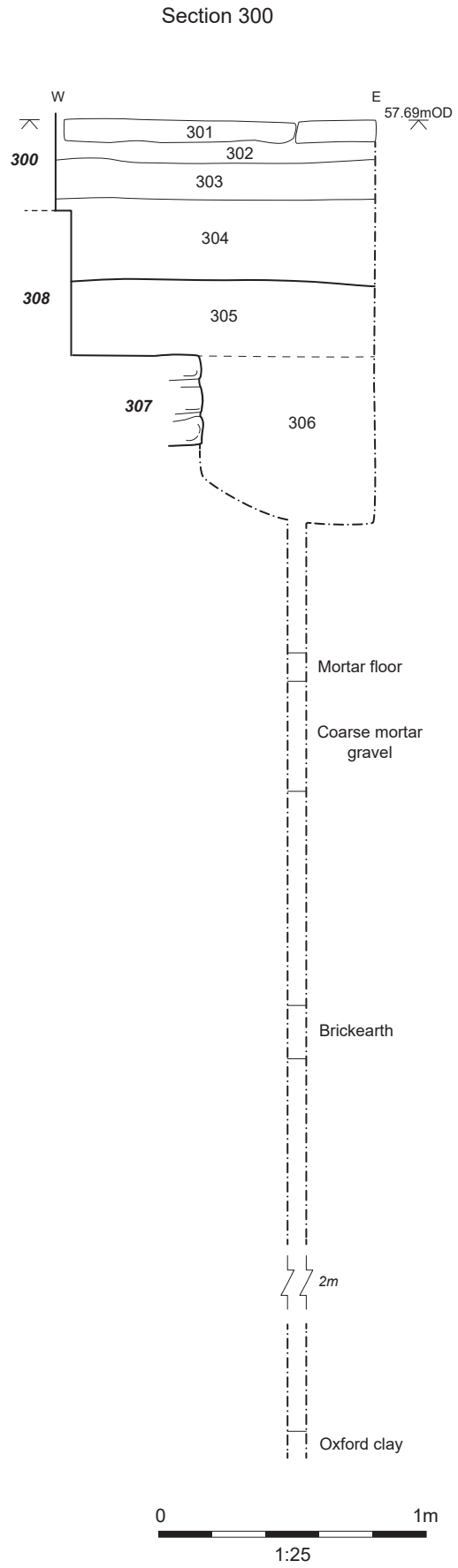


Figure 7: Section 301



Plate 1: Wall 103, section 100. 1m scale



Plate 2: Section 200. 1m scale



Plate 3: Section 300. 1m scale



Plate 4: Wall 303. 1m scale



**Head Office/Registered Office/
OA South**

Janus House
Osney Mead
Oxford OX20ES

t: +44 (0) 1865 263 800
f: +44 (0) 1865 793 496
e: info@oxfordarchaeology.com
w: <http://oxfordarchaeology.com>

OA North

Mill 3
Moor Lane
Lancaster LA1 1QD

t: +44 (0) 1524 541 000
f: +44 (0) 1524 848 606
e: [oanorth@oxfordarchaeology.com](mailto: oanorth@oxfordarchaeology.com)
w: <http://oxfordarchaeology.com>

OA East

15 Trafalgar Way
Bar Hill
Cambridgeshire
CB23 8SQ

t: +44 (0) 1223 850500
e: [oaeast@oxfordarchaeology.com](mailto: oaeast@oxfordarchaeology.com)
w: <http://oxfordarchaeology.com>



Director: Gill Hey, BA PhD FSA MCifA
*Oxford Archaeology Ltd is a
Private Limited Company, N^o: 1618597
and a Registered Charity, N^o: 285627*