

Land at Mile End, Newton Abbot, Devon

NGR SX 8386 7212

Results of an archaeological trench evaluation

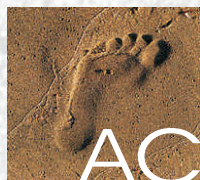
Planning ref. Teignbridge District Council 08/01245/MAJ

Prepared by
Paul Jones

On behalf of
Persimmon Homes (South West) Ltd

Document No: ACD320/2/0

Date: June 2011



AC archaeology

LAND AT MILE END, NEWTON ABBOT, DEVON

(CENTRED ON NGR SX 8386 7212)

Results of an archaeological trench evaluation

Planning ref. Teignbridge District Council 08/01245/MAJ

CONTENTS

	Summary	
1.	Introduction	1
2.	Archaeological background	1
3.	Aims	1
4.	Methodology	2
5.	Results	2
6.	The finds	3
7.	Conclusions	4
8.	Archive and OASIS	4
8.	Acknowledgements	4
9.	Sources consulted	4

List of figures

- Fig. 1: Location of site and trench layout
Fig. 2: Plans and sections, Trenches 2 and 5
Fig. 3: Plans and sections, Trenches 7 and 26
Fig. 4: Plans and sections, Trenches 33 and 42

List of plates

- Plate 1: General view from Trench 50, looking northeast
Plate 2: Trench 5, linear features F504 and F506. View to southwest
Plate 3: Trench 7, linear feature F704. View to north
Plate 4: Trench 26, linear feature F2602. View to south
Plate 6: Trench 33, linear feature F3302. View to east

Appendix 1: Tabulated trench and context descriptions

Summary

An archaeological trench evaluation was carried out by AC archaeology during June 2011 on land at Mile End, Newton Abbot, Devon (SX 8386 7212). The site occupies an area of c. 11.9 hectares of land on the western edge of Newton Abbot, extending over five pasture fields.

The evaluation comprised the excavation of 50 trenches with a combined length of 2500m, representing a 5% sample of the area to be affected by development. A small number of linear features (ditches and gullies) associated with former land division and drainage management was identified, with the majority of these depicted as boundaries on 19th century historic maps. Many of the ditches occurred in pairs, with these likely to represent flanking ditches either side of a former hedgebank. The only stratified finds recovered were from one former boundary ditch, with these comprising pottery and clinker of post-medieval date.

1. INTRODUCTION

- 1.1** This report sets out the results of an archaeological trench evaluation carried out on land forming a proposed residential development at Mile End, Newton Abbot, Devon (site centred SX 8386 7212). The work was carried out by AC archaeology during June 2011 and was commissioned by Persimmon Homes (South West) Ltd.
- 1.2** The site covers an area of approximately 11.9 hectares and is located immediately to the west of Newton Abbot (Fig. 1). It is situated on currently pasture land (Plate 1), with a general trend of ground sloping down to the north, at between 51m and 45m OD.
- 1.3** The underlying solid geology of the area comprises slates and mudstones of the Gurrington Slate Formation.

2. ARCHAEOLOGICAL BACKGROUND

- 2.1** A desk-based assessment and geophysical survey have been previously undertaken for the site (Waterman CPM Ltd 2007, West Yorkshire Archaeological Services 2006). The work established that there was the potential for prehistoric remains to be present on the site, with a possible circular feature in the southern part possibly a barrow. This is one of a cluster of similar features located on the higher ground in that area, with these also possibly post-medieval mining features or natural outcropping.
- 2.2** The geophysical survey generally revealed low-level results, although some linear anomalies and a possible curvilinear feature were recorded.

3. AIMS

- 3.1** The aim of the evaluation was to establish the presence or absence, extent, depth, character and date of any archaeological features, deposits or finds within the site. The results of the work as set out in this report will be reviewed and used to inform any subsequent mitigation as a second stage.

4. METHODOLOGY

- 4.1 The evaluation was undertaken in accordance with a Project Design prepared by AC archaeology (Valentin 2011), submitted to and approved by Devon County Historic Environment Service prior to commencement on site. It comprised the machine excavation of fifty trenches, with each of these 50m long and 1.9m wide. The trenches were located across five fields and are shown on Fig. 1. Each trench was excavated using a mechanical excavator equipped with a toothless grading bucket and working under constant archaeological supervision.
- 4.2 The site was recorded in accordance with the AC archaeology pro-forma recording system, comprising written, graphic and photographic records, and in accordance with AC archaeology's *General Site Recording Manual, Version 1*. All plans were drawn at a scale of 1:50 and sections at 1:10 or 1:20, as appropriate. All levels have been related to Ordnance Datum. All spoil heaps were scanned manually and by metal detector for displaced finds.

5. RESULTS

5.1 Introduction

The trenches were excavated to a depth of between 0.20-0.80m below ground level onto weathered mudstone/slate natural subsoil. The overlying layer sequence comprised between 0.10-0.50m of light grey to brown silty clay topsoil, over between 0.08-0.45m of yellowish brown silty clay colluvium/ deeper ploughsoil. The results for all trenches are summarised in tabulated form in Appendix 1, with relevant plans and sections included on Figs 2-4 and photographs as Plates 2-5.

5.2 Trench 2 (Plan Fig. 2a, sections 2b-c)

Located within the central area of the trench and exposed at a depth of 0.26-0.4m, were two parallel N-S aligned ditches (F204 and F205). These were positioned 4.5m apart, with the westernmost ditch (F204) 0.65m wide and 0.25m deep with a flat to rounded base. F205 was 1.1m wide and 0.18m deep, with a wide U-shaped profile. Both ditches were each filled with a mid to light yellowish brown silty clay containing frequent natural slate fragments (contexts 203 and 206). No finds were recovered. These features crossed into Trench 5 as F504 and F506.

5.3 Trench 5 (Plan Fig. 2d, section 2e; Plate 2)

Located at the eastern end of the trench at a depth of 0.25-0.40m were two N-S aligned parallel linear features (F504 and F506). These were positioned 2m apart. Linear feature F504 was 1.15m wide and 0.18m deep, while F506 was 0.95m wide and 0.15m deep. The profile of both consisted of a broad U-shape. Each was filled by similar deposits, consisting of mid to light yellowish brown silty clay containing frequent natural slate fragments (contexts 503 and 506). No finds were recovered. These features crossed into Trench 2 as F204 and F205.

5.4 Trench 7 (Plan Fig. 3a, section 3b; Plate 3)

Within the western part of the trench at a depth of 0.40m was a N-S aligned linear feature (F704). This was 1.45m wide, 0.31m deep and it had an irregular shallow-sloping profile. Filling the ditch was a yellow to brown silty clay containing frequent amounts of slate flecks and fragments (703). No finds were recovered.

5.5 Trench 26 (Plan Fig. 3c, section 3d; Plate 4)

Located towards the southern part of the trench at a depth of 0.2m was a NE-SW aligned linear feature (F2602). This was 0.32m wide, 0.1m deep and it had a rounded profile. A single fill was

present (2603), comprising a mid brown silty clay containing occasional slate fragments. No finds were recovered.

5.6 Trench 33 (Plan Fig. 4a, section 4b; Plate 5)

Within the southern part of the trench at a depth of 0.4m was a NE-SW aligned linear feature (F3302). This was 1.50m wide, 0.25m deep and had shallow sloping sides and a rounded base. A single fill was present (3303), comprising a mid brown silty clay containing occasional slate fragments. Three sherds of post-medieval pottery and a fragment of clinker were recovered.

5.7 Trench 42 (Plan Fig. 4c, section 4d-e)

Located towards the western end of the trench at a depth of 0.28m were two N-S aligned parallel linear features (F4202 and 4204). These were positioned 2m apart, with F4202 being 2.35-2.75m wide and 0.31m deep, while F 4204 was 1.2m wide and 0.3m deep. The profile of both consisted of a broad flat U-shape, although F4202 also had a steeply-sided western edge. The fills were identical, consisting of mid brown silty clays containing frequent slate fragments (4201 and 4203). No finds were recovered.

5.8 Field drains

A number of ceramic land drains of 20th century date were exposed in Trenches 10-14. The ground is wet and lower-lying in that particular field.

6. THE FINDS

6.1 Finds totals by context and material type are presented in Table 1 below. The majority of these were recovered from topsoil contexts, with only those from context 3303 (F3302), Trench 33 recovered from an *in situ* feature.

Table 1. Summary of finds (weight is in grams)

Context	Trench	Context type	Post-medieval/modern pottery		Clay tobacco pipe		Clinker	
			No	Wt	No	Wt	No	Wt
1600	16	Topsoil	3	15	1	4		
1700	17	Topsoil	13	65	1	2		
1900	19	Topsoil	8	80				
2100	21	Topsoil	2	21				
2200	22	Topsoil	5	74	1	3		
2300	23	Topsoil	3	31				
3303	33	Ditch fill	3	34			1	23
4400	44	Topsoil	1	3				
4500	45	Topsoil	2	12				
4600	46	Topsoil	4	41				
4700	47	Topsoil	4	14	2	7		
Totals			48	390	5	16	1	23

6.2 The majority of finds recovered came from topsoil contexts and comprises 19th or 20th century pottery, including industrial whitewares, blue and white transfer-printed wares, red earthenware and stonewares. The clay pipe fragments recovered from topsoil are all plain stems.

6.3 The pottery recovered from context 3303, fill of ditch F3302, comprises Totnes-type wares dating broadly to post-1500. These were recovered in association with a fragment of clinker.

7. CONCLUSIONS

- 7.1 The evaluation has established a series of linear features associated with former land division and drainage management. Many of the ditches are depicted as boundaries on historic map. For example, those identified in Trenches 26, 33 and 42 are shown on the Highweek parish tithe map of 1840, while those in Trenches 2 and 5 (the same features) are on the 1887 first-edition Ordnance Survey 25-inch map. Many of the linear features occurred in pairs, with these likely to represent flanking ditches either side of a former hedgebank. The only stratified finds recovered were from F3303, Trench 33, with these of post-medieval date. No evidence was identified for the curvilinear geophysical anomaly or the possible circular feature identified in the initial assessment (Waterman CPM Ltd 2007, West Yorkshire Archaeological Services 2006).
- 7.2 Based on the results of the evaluation and the generally low topographic potential of the site, it is considered unlikely that the development will have an impact on any hitherto unknown significant archaeological features, deposits or finds.

8. ARCHIVE AND OASIS

- 8.1 The paper and digital archive and finds are currently held at the offices of AC archaeology Ltd, in Unit 4 Halthaies Workshops, Bradninch, Nr Exeter, Devon, EX5 4LQ, under the temporary reference number RAMM: 11/16.
- 8.2 The OASIS (Online AccesS to the Index of Archaeological InvestigationS) number for this project is 104118.

9. ACKNOWLEDGEMENTS

The evaluation was commissioned by Maxine Dudley of Persimmon Homes (South West) Ltd. The fieldwork was carried out by Simon Hughes, Paul Jones, Elizabeth Patkai, Fiona Pink and Frances Ward. The illustrations for this report were prepared by Cain Hegarty. The advice of Stephen Reed, Devon Archaeology Officer is duly acknowledged.

10. SOURCES CONSULTED

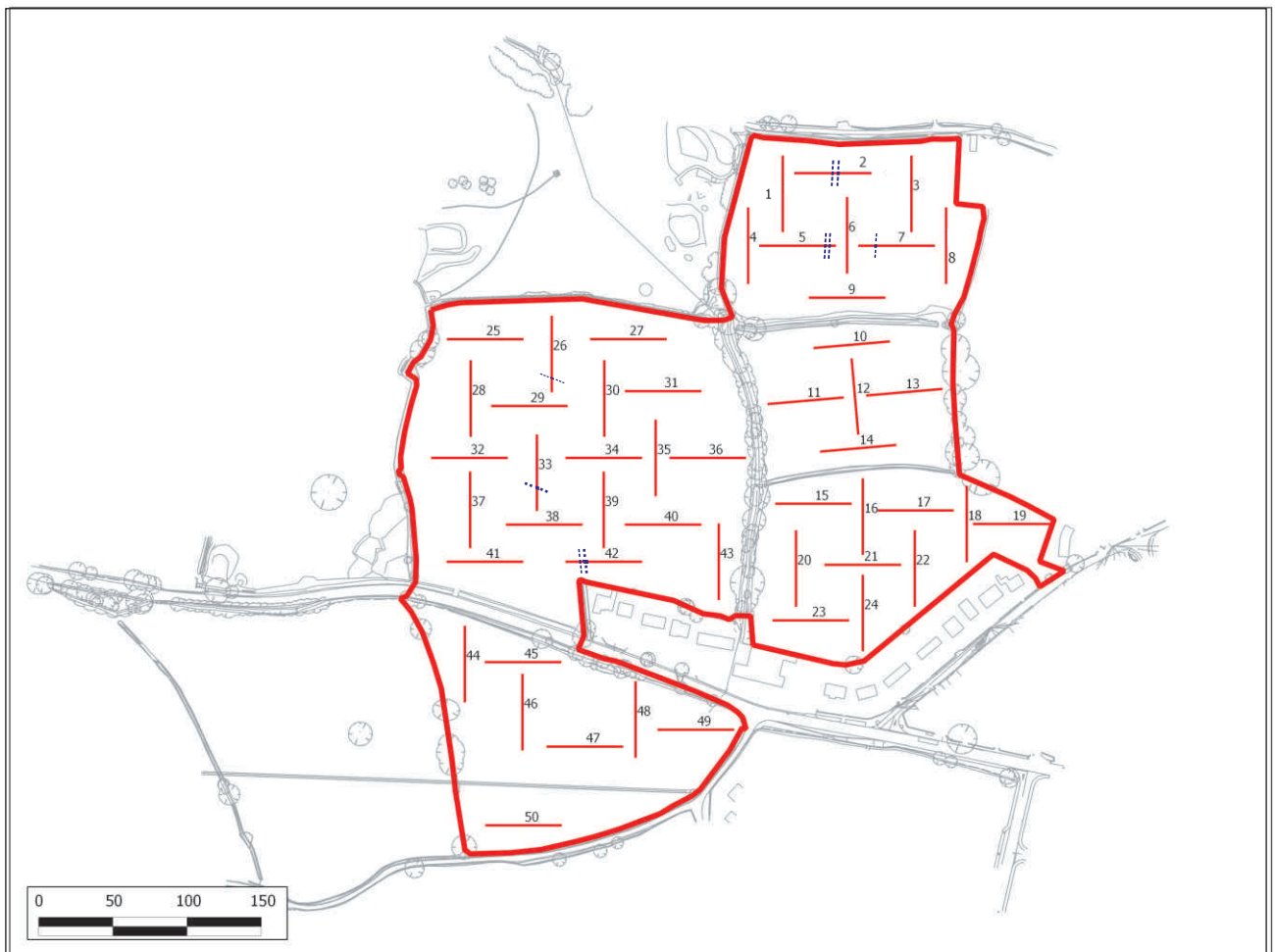
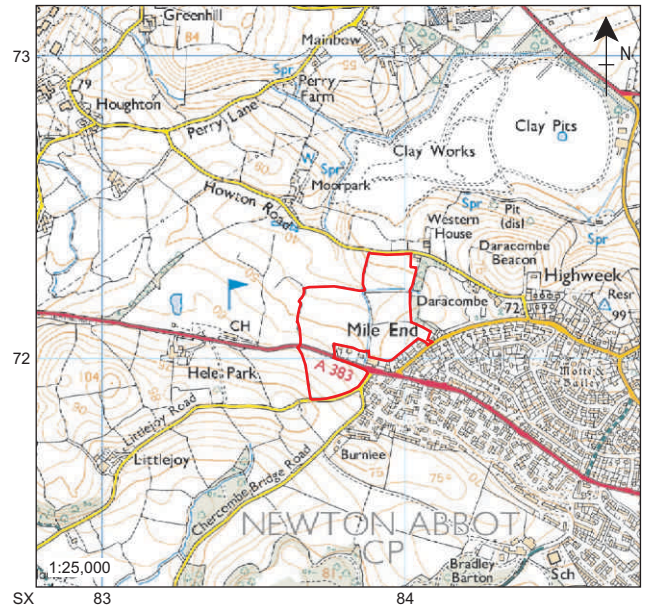
Devon Record Office, Highweek parish tithe map, 1847

Ordnance Survey 25-inch Devonshire Sheets 109.6, 109.10, surveyed 1887, published 1888, revised 1904, published 1905

Valentin, J., 2011, *Land at Mile End, Newton Abbot, Devon: Project Design for a staged programme of archaeological works*. Unpublished AC document, ref. ACD320/1/0

Waterman CPM Ltd, 2007, *Mile End, Newton Abbot: Archaeological assessment*. Unpublished report for client

West Yorkshire Archaeological Services, 2006, *Mile End, Newton Abbot, Devon: Geophysical Survey*. Unpublished report for client, ref. 1599




 Trench and recorded feature

PROJECT

Mile End, Newton Abbot

TITLE

Fig. 1: Location of site and trench layout



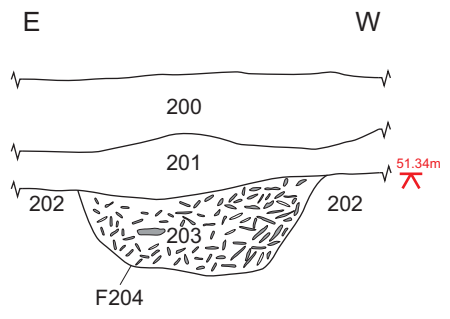
Fig.2: Plans and sections, Trenches 2 and 5



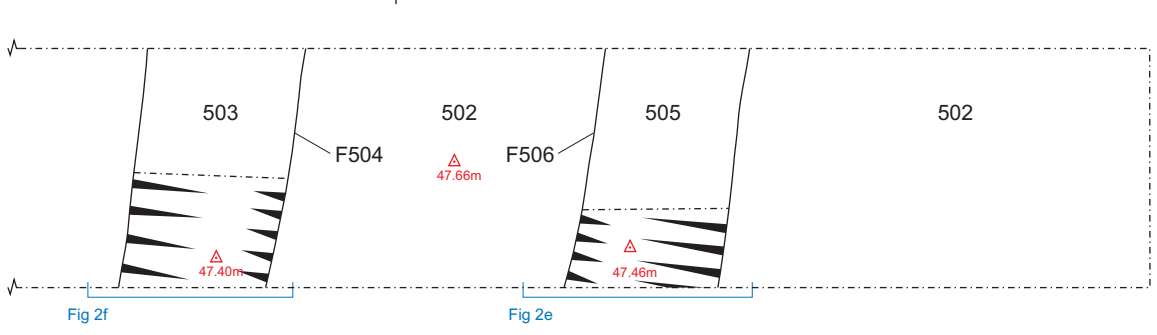
a) Plan of Trench 2



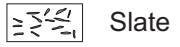
b) Section of F204



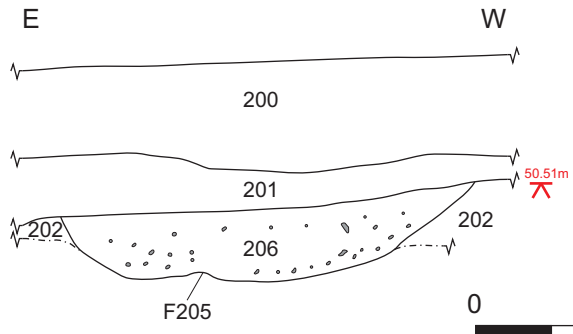
d) Plan of Trench 5



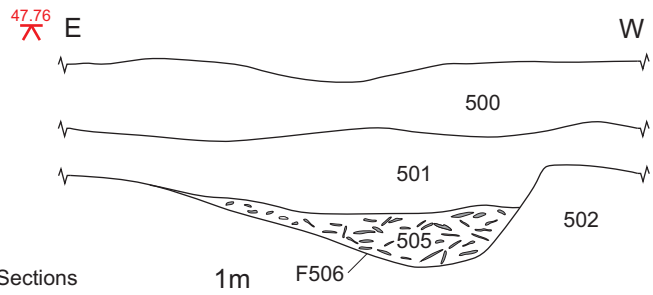
Key to Sections



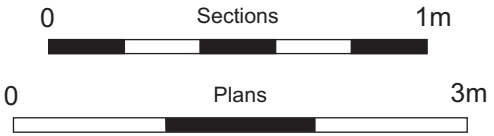
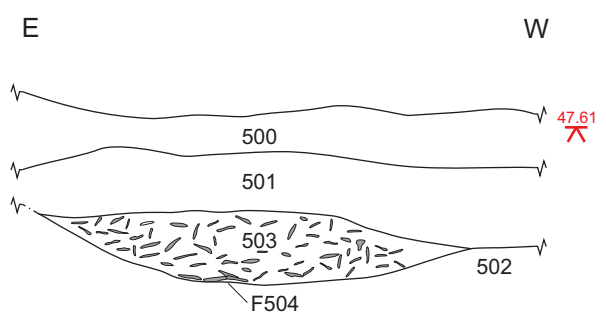
c) Section of F205



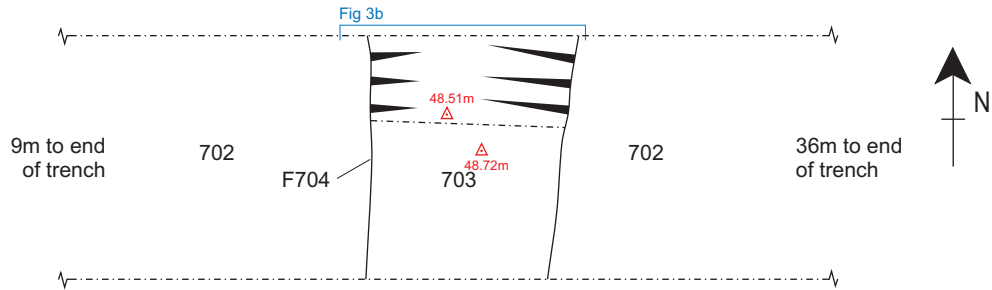
e) Section of F506



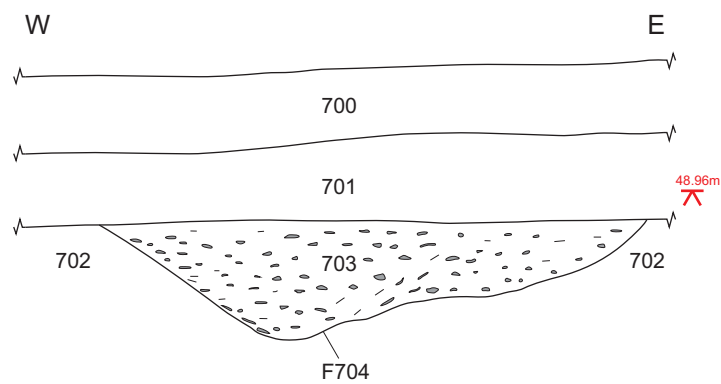
f) Sections of F504



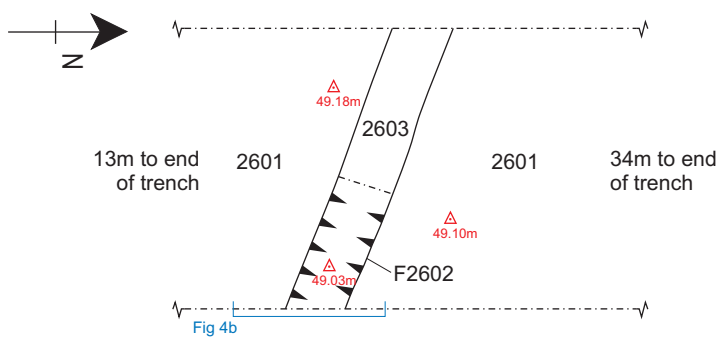
a) Plan of Trench 7



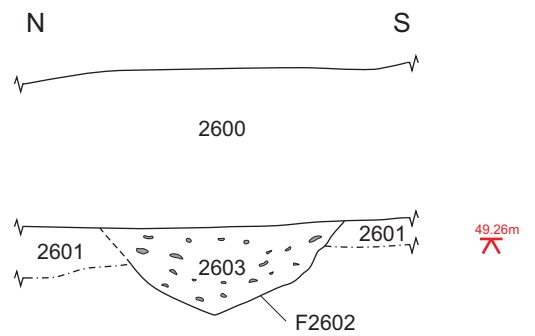
b) Section of F704



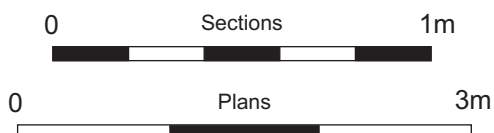
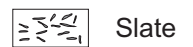
c) Plan of Trench 26



d) Section of F2602



Key to Sections



PROJECT

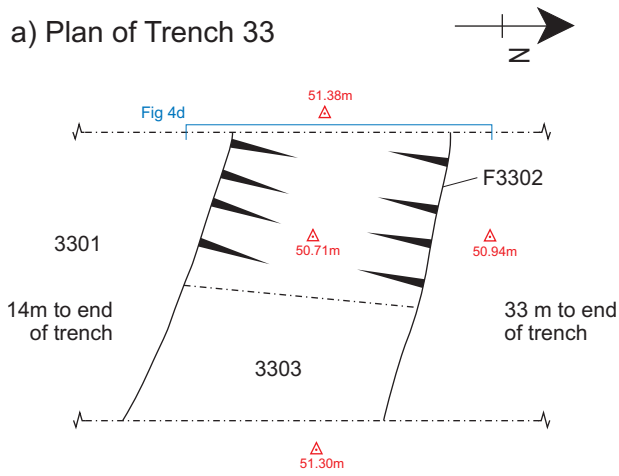
Mile End, Newton Abbot

TITLE

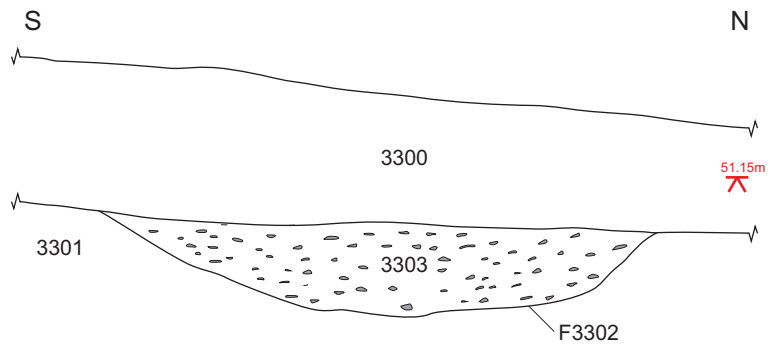
Fig.3: Plans and sections, Trenches 7 and 26



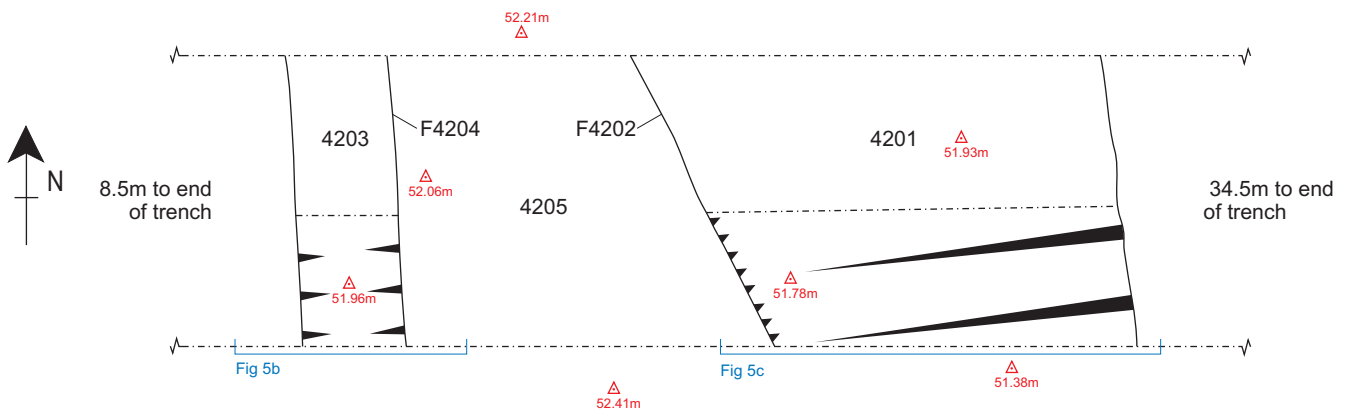
a) Plan of Trench 33



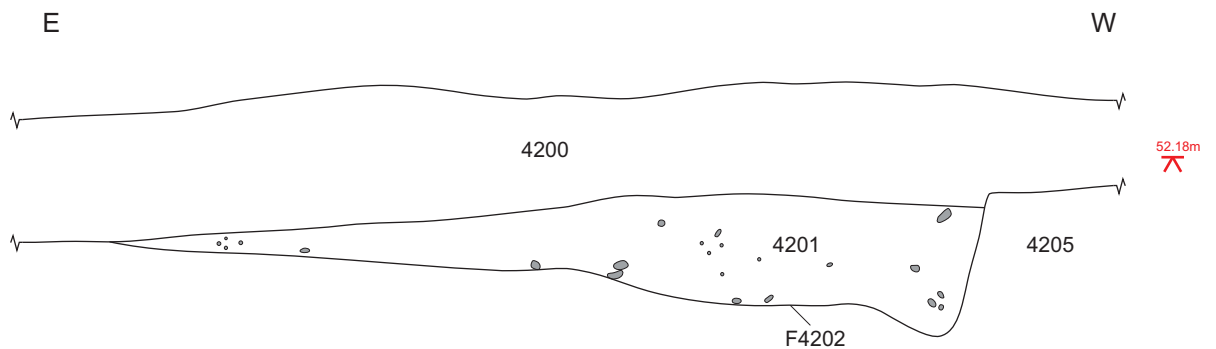
b) Section of F3302



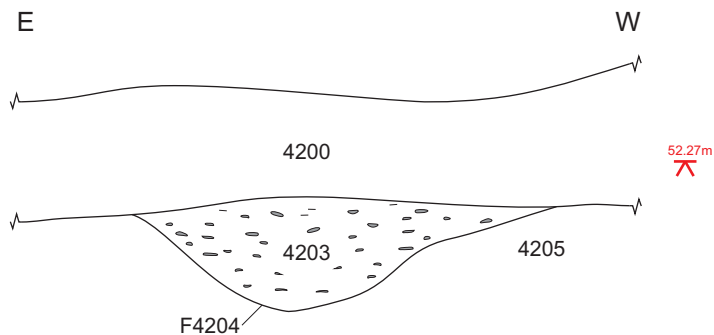
c) Plan of Trench 42



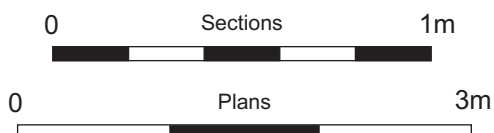
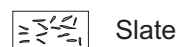
c) Section of F4202



b) Section of F4204



Key to Sections



PROJECT

Mile End, Newton Abbot

TITLE

Fig.4: Plans and sections, Trenches 33 and 42





Plate 1: General view from Trench 50, looking northeast



Plate 2: Trench 5, linear features F504 and F506. View to southwest (scale 1m)



Plate 3. Trench 7, linear feature F704. View to north (scale 1m)



Plate 4. Trench 26, linear feature F2602. View to south (scale 0.25m)



Plate 5. Trench 33, linear feature F3302. View to east (scale 1m)

Appendix 1

Tabulated trench and context descriptions

APPENDIX 1: TABULATED TRENCH AND CONTEXT DESCRIPTIONS

Trench1			
Context	Depth below ground level (m)	Description	Interpretation
100	0-0.32m	Light grey to brown silty clay	Topsoil
101	0.32-0.48m	Yellowish brown silty clay	Colluvial Subsoil
102	0.48m+	Greyish white weathered mudstone	Natural subsoil

Trench 2			
Context	Depth below ground level (m)	Description	Interpretation
200	0-0.30m	Light grey to brown silty clay	Topsoil
201	0.30-0.50m	Yellowish brown silty clay	Colluvial Subsoil
202	0.50m+	Greyish white weathered mudstone	Natural subsoil
203	0.26m	Mid to light yellowish brown silty clay containing frequent amounts of slate flecks.	Single fill of ditch 204. Sealed by layer 201
204	0.26m	N-S aligned linear feature measuring 0.65m wide and 0.25m deep.	Cut of ditch. One of two linear features forming flanking boundary ditches associated with former hedgebank
205	0.40m	N-S aligned linear feature measuring 1.10m wide and 0.18m deep	Cut of ditch. One of two (204) linears forming flanking boundary ditches associated with former hedgebank
206	0.40-0.58m	Mid to light yellowish brown silty clay containing frequent amounts of slate flecks.	Single fill of ditch 205. Sealed by subsoil 201

Trench 3			
Context	Depth below ground level	Description	Interpretation
300	0-0.10m	Light grey to brown silty clay	Topsoil
301	0.27-0.40m	Yellowish brown silty clay	Colluvial Subsoil
302	0.40m+	Greyish white weathered mudstone	Natural subsoil

Trench 4			
Context	Depth below ground level	Description	Interpretation
400	0-0.30m	Light grey to brown silty clay	Topsoil
401	0.30-0.50m	Yellowish brown silty clay	Colluvial Subsoil
402	0.50m+	Greyish white weathered mudstone	Natural subsoil

Trench 5			
Context	Depth below ground level	Description	Interpretation
500	0-0.15m	Light grey to brown silty clay	Topsoil
501	0.15	Yellowish brown silty clay	Colluvial Subsoil
502	0.27-0.63m	Greyish white weathered mudstone	Natural subsoil
503	0.25m	Mid to light yellowish brown silty clay containing frequent amounts of slate flecks and fragments.	Single fill of ditch 504. Sealed by subsoil layer 201
504	0.25m	N-S aligned linear feature measuring 1.15m wide and 0.18m deep.	Cut of ditch. One of two linears forming flanking boundary ditches associated with former hedgebank
505	0.40m	Mid to light yellowish brown silty clay containing frequent amounts of slate flecks and fragments.	Single fill of ditch 506. Sealed by subsoil 201
506	0.40m	N-S aligned linear feature measuring 0.90m wide and 0.14m deep.	Cut of ditch. One of two linears forming flanking boundary ditches associated with former hedgebank

Trench 6			
Context	Depth below ground level	Description	Interpretation
600	0-0.22/0.33m	Light grey to brown silty clay	Topsoil
601	0.22/0.33-0.48m	Yellowish brown silty clay	Colluvial Subsoil
602	0.48m+	Greyish white weathered mudstone	Natural subsoil

APPENDIX 1: TABULATED TRENCH AND CONTEXT DESCRIPTIONS

Trench 7			
Context	Depth below ground level	Description	Interpretation
700	0-0.20m	Light grey to brown silty clay	Topsoil
701	0.20-0.40m	Yellowish brown silty clay	Colluvial Subsoil
702	0.40m+	Greyish white weathered mudstone	Natural subsoil
703	0.40m	Yellow to brown silty clay containing frequent amounts of slate flecks and fragments.	Single fill of ditch 704. Sealed by Subsoil 701
704	0.40m	N-S aligned linear measuring 1.45m wide and 0.31m deep.	Cut of boundary ditch associated with former hedgebank

Trench 8			
Context	Depth below ground level	Description	Interpretation
800	0-0.36m	Light grey to brown silty clay	Topsoil
801	0.36-0.56m	Yellowish brown silty clay	Colluvial Subsoil
802	0.56m+	Greyish white weathered mudstone	Natural subsoil

Trench 9			
Context	Depth below ground level	Description	Interpretation
900	0-0.15m	Light grey to brown silty clay	Topsoil
901	0.15-0.51m	Yellowish brown silty clay	Colluvial Subsoil
902	0.51m+	Greyish white weathered mudstone	Natural subsoil

Trench 10			
Context	Depth below ground level	Description	Interpretation
1000	0-0.10m	Light grey to brown silty clay	Topsoil
1001	0.20-0.38m	Yellowish brown silty clay	Colluvial Subsoil
1002	0.38m+	Greyish white weathered mudstone	Natural subsoil

Trench 11			
Context	Depth below ground level	Description	Interpretation
1100	0-0.35m	Light grey to brown silty clay	Topsoil
1101	0.35-0.80m	Yellowish brown silty clay	Colluvial Subsoil
1102	0.80m+	Greyish white weathered mudstone	Natural subsoil

Trench 12			
Context	Depth below ground level	Description	Interpretation
1200	0-0.10m	Light grey to brown silty clay	Topsoil
1201	0.10-0.47m	Yellowish brown silty clay	Colluvial Subsoil
1202	0.47m+	Greyish white weathered mudstone	Natural subsoil

Trench 13			
Context	Depth below ground level	Description	Interpretation
1300	0-0.10m	Light grey to brown silty clay	Topsoil
1301	0.10-0.25m	Yellowish brown silty clay	Colluvial Subsoil
1302	0.25m+	Greyish white weathered mudstone	Natural subsoil

Trench 14			
Context	Depth below ground level	Description	Interpretation
1400	0-0.10m	Light grey to brown silty clay	Topsoil
1401	0.10-0.25m	Yellowish brown silty clay	Colluvial Subsoil
1402	0.25m+	Greyish white weathered mudstone	Natural subsoil

Trench 15			
Context	Depth below ground level	Description	Interpretation
1500	0-0.10m	Light grey to brown silty clay	Topsoil
1501	0.10-0.34m	Yellowish brown silty clay	Colluvial Subsoil
1502	0.34m+	Greyish white weathered mudstone	Natural subsoil

APPENDIX 1: TABULATED TRENCH AND CONTEXT DESCRIPTIONS

Trench 16			
Context	Depth below ground level	Description	Interpretation
1600	0-0.25m	Light grey to brown silty clay	Topsoil
1601	0.25-0.35m	Yellowish brown silty clay	Colluvial Subsoil
1602	0.35m+	Greyish white weathered mudstone	Natural subsoil

Trench 17			
Context	Depth below ground level	Description	Interpretation
1700	0-0.30m	Light grey to brown silty clay	Topsoil
1701	0.30-0.42m	Yellowish brown silty clay	Colluvial Subsoil
1702	0.42m+	Greyish white weathered mudstone	Natural subsoil

Trench 18			
Context	Depth below ground level	Description	Interpretation
1800	0-0.20m	Light grey to brown silty clay	Topsoil
1801	0.20-0.37m	Yellowish brown silty clay	Colluvial Subsoil
1802	0.37m+	Greyish white weathered mudstone	Natural subsoil

Trench 19			
Context	Depth below ground level	Description	Interpretation
1900	0-0.17m	Light grey to brown silty clay	Topsoil
1901	0.17-0.27m	Yellowish brown silty clay	Colluvial Subsoil
1902	0.27m+	Greyish white weathered mudstone	Natural subsoil

Trench 20			
Context	Depth below ground level	Description	Interpretation
2000	0-0.20m	Light grey to brown silty clay	Topsoil
2001	0.20-0.30m	Yellowish brown silty clay	Colluvial Subsoil
2002	0.30m+	Greyish white weathered mudstone	Natural subsoil

Trench 21			
Context	Depth below ground level	Description	Interpretation
2100	0-0.23m	Light grey to brown silty clay	Topsoil
2101	0.23-0.34m	Yellowish brown silty clay	Colluvial Subsoil
2102	0.34m+	Greyish white weathered mudstone	Natural subsoil

Trench 22			
Context	Depth below ground level	Description	Interpretation
2200	0-0.27m	Light grey to brown silty clay	Topsoil
2201	0.27-0.37m	Yellowish brown silty clay	Colluvial Subsoil
2202	0.37m+	Greyish white weathered mudstone	Natural subsoil

Trench 23			
Context	Depth below ground level	Description	Interpretation
2300	0-0.25m	Light grey to brown silty clay	Topsoil
2301	0.25-0.40m	Yellowish brown silty clay	Colluvial Subsoil
2302	0.40m+	Greyish white weathered mudstone	Natural subsoil

Trench 24			
Context	Depth below ground level	Description	Interpretation
2400	0-0.25m	Light grey to brown silty clay	Topsoil
2401	0.25-0.34m	Yellowish brown silty clay	Colluvial Subsoil
2402	0.34m+	Greyish white weathered mudstone	Natural subsoil

APPENDIX 1: TABULATED TRENCH AND CONTEXT DESCRIPTIONS

Trench 25			
Context	Depth below ground level	Description	Interpretation
2500	0-0.26m	Light grey to brown silty clay	Topsoil
2501	0.26m+	Greyish white weathered mudstone	Natural subsoil

Trench 26			
Context	Depth below ground level	Description	Interpretation
2600	0-0.20m	Light grey to brown silty clay	Topsoil
2601	0.20m+	Greyish white weathered mudstone	Natural subsoil
2602	0.20m	NW-SE aligned linear feature measuring 0.32m wide and 0.10m deep.	Cut of gully
2603	0.20m	Mid brown silty clay containing moderate amounts of slate flecks	Single fill of linear 2602. Sealed by 2600

Trench 27			
Context	Depth below ground level (m)	Description	Interpretation
2700	0-0.28/0.45m	Light grey to brown silty clay	Topsoil
2701	0.28-0.45m+	Greyish white weathered mudstone	Natural subsoil

Trench 28			
Context	Depth below ground level (m)	Description	Interpretation
2800	0-0.40m	Light grey to brown silty clay	Topsoil
2801	0.40-0.60m	Yellowish brown silty clay	Colluvial Subsoil
2802	0.60m+	Greyish white weathered mudstone	Natural subsoil

Trench 29			
Context	Depth below ground level	Description	Interpretation
2900	0-0.26m	Light grey to brown silty clay	Topsoil
2901	0.26m+	Greyish white weathered mudstone	Natural subsoil

Trench 30			
Context	Depth below ground level	Description	Interpretation
3000	0-0.38m	Light grey to brown silty clay	Topsoil
3001	0.38m+	Greyish white weathered mudstone	Natural subsoil

Trench 31			
Context	Depth below ground level	Description	Interpretation
3100	0-0.38m	Light grey to brown silty clay	Topsoil
3101	0.38m+	Greyish white weathered mudstone	Natural subsoil

Trench 32			
Context	Depth below ground level	Description	Interpretation
3200	0-0.32m	Light grey to brown silty clay	Topsoil
3201	0.32m+	Greyish white weathered mudstone	Natural subsoil

Trench 33			
Context	Depth below ground level	Description	Interpretation
3300	0-0.40m	Light grey to brown silty clay	Topsoil
3301	0.40m+	Greyish white weathered mudstone	Natural subsoil
3302	0.40m	NW-SE aligned linear measuring 1.50m wide and 0.25m deep.	Cut of boundary ditch associated with former hedgebank
3304	0.40m	Mid brown silty clay containing moderate amounts of slate flecks	Single fill of ditch 3302. Sealed by topsoil 3300

APPENDIX 1: TABULATED TRENCH AND CONTEXT DESCRIPTIONS

Trench 34			
Context	Depth below ground level	Description	Interpretation
3400	0-0.40m	Light grey to brown silty clay	Topsoil
3401	0.40-0.48m	Yellowish brown silty clay	Colluvial Subsoil
3402	0.48m+	Greyish white weathered mudstone	Natural subsoil

Trench 35			
Context	Depth below ground level	Description	Interpretation
3500	0-0.35m	Light grey to brown silty clay	Topsoil
3501	0.35m+	Greyish white weathered mudstone	Natural subsoil

Trench 36			
Context	Depth below ground level	Description	Interpretation
3600	0-0.26m	Light grey to brown silty clay	Topsoil
3601	0.26m+	Greyish white weathered mudstone	Natural subsoil

Trench 37			
Context	Depth below ground level	Description	Interpretation
3700	0-0.26m	Light grey to brown silty clay	Topsoil
3701	0.26m+	Greyish white weathered mudstone	Natural subsoil

Trench 38			
Context	Depth below ground level	Description	Interpretation
3800	0-0.30m	Light grey to brown silty clay	Topsoil
3801	0.30m+	Greyish white weathered mudstone	Natural subsoil

Trench 39			
Context	Depth below ground level	Description	Interpretation
3900	0-0.40m	Light grey to brown silty clay	Topsoil
3901	0.40m+	Greyish white weathered mudstone	Natural subsoil

Trench 40			
Context	Depth below ground level	Description	Interpretation
4000	0-0.26/0.40m	Light grey to brown silty clay	Topsoil
4001	0.26-0.40m+	Greyish white weathered mudstone	Natural subsoil

Trench 41			
Context	Depth below ground level	Description	Interpretation
4100	0-0.30m	Light grey to brown silty clay	Topsoil
4101	0.30-0.42m	Yellowish brown silty clay	Colluvial Subsoil
4102	0.42m+	Greyish white weathered mudstone	Natural subsoil

Trench 42			
Context	Depth below ground level	Description	Interpretation
4200	0-0.16/0.38m	Light grey to brown silty clay	Topsoil
4201	0.28m	Mid brown silty clay containing frequent amounts of slate flecks and fragments.	Single fill of ditch 4202. Sealed by topsoil 4200
4202	0.28m	N-S aligned linear feature measuring 2.35-2.75m wide and 0.31m deep.	Cut of ditch. (One of two including 4204). Linears forming flanking boundary ditches associated with former hedgebank
4203	0.28m	Yellow to brown silty clay containing frequent amounts of slate flecks and fragments.	Single fill of ditch 4204. Sealed by topsoil 4200
4204	0.28m	N-S aligned linear measuring 1.20m wide and 0.30m deep.	Cut of ditch. (One of two including 4202). Linears forming flanking boundary ditches associated with former hedgebank
4205	0.16-0.38m+	Greyish white weathered mudstone	Natural subsoil

APPENDIX 1: TABULATED TRENCH AND CONTEXT DESCRIPTIONS

Trench 43			
Context	Depth below ground level	Description	Interpretation
4300	0-0.32m	Light grey to brown silty clay	Topsoil
4301	0.32m+	Greyish white weathered mudstone	Natural subsoil

Trench 44			
Context	Depth below ground level	Description	Interpretation
4400	0-0.26m	Light grey to brown silty clay	Topsoil
4401	0.26-0.60m	Yellowish brown silty clay	Colluvial Subsoil
4402	0.60m+	Greyish white weathered mudstone	Natural subsoil

Trench 45			
Context	Depth below ground level	Description	Interpretation
4500	0-0.50m	Light grey to brown silty clay	Topsoil
4501	0.50m+	Greyish white weathered mudstone	Natural subsoil

Trench 46			
Context	Depth below ground level	Description	Interpretation
4600	0-0.35m	Light grey to brown silty clay	Topsoil
4601	0.35-0.55m	Yellowish brown silty clay	Colluvial Subsoil
4602	0.55m+	Greyish white weathered mudstone	Natural subsoil

Trench 47			
Context	Depth below ground level	Description	Interpretation
4700	0-0.37m	Light grey to brown silty clay	Topsoil
4701	0.37m+	Greyish white weathered mudstone	Natural subsoil

Trench 48			
Context	Depth below ground level	Description	Interpretation
4800	0-0.37m	Light grey to brown silty clay	Topsoil
4801	0.37m+	Greyish white weathered mudstone	Natural subsoil

Trench 49			
Context	Depth below ground level	Description	Interpretation
4900	0-0.39m	Light grey to brown silty clay	Topsoil
4901	0.39-0.66m	Yellowish brown silty clay	Colluvial Subsoil
4902	0.66m+	Greyish white weathered mudstone	Natural subsoil

Trench 50			
Context	Depth below ground level (m)	Description	Interpretation
5000	0-0.30m	Light grey to brown silty clay	Topsoil
5001	0.30-0.62m	Yellowish brown silty clay	Colluvial Subsoil
5002	0.62m+	Greyish white weathered mudstone	Natural subsoil

Devon Office

AC archaeology Ltd
Unit 4, Halthaies Workshops
Bradninch
Nr Exeter
Devon
EX5 4LQ

Telephone/Fax: 01392 882410

Wiltshire Office

AC archaeology Ltd
Manor Farm Stables
Chicklade
Hindon
Nr Salisbury
Wiltshire
SP3 5SU

Telephone: 01747 820581
Fax: 01747 820440

www.acarchaeology.co.uk