

Archaeological evaluation at Oakley Farm, Battledown, Cheltenham, Gloucestershire

Worcestershire Archaeology
for RPS Consulting on behalf of Robert Hitchins Limited

December 2019



Find out more online:
www.explorethepast.co.uk



OAKLEY FARM BATTLEDOWN CHELTENHAM

Archaeological evaluation report



©Worcestershire County Council

Worcestershire Archaeology
Worcestershire Archive & Archaeology Service
The Hive
Sawmill Walk
The Butts
Worcester
WR1 3PD

Explore
the Past

SITE INFORMATION

Site name: Oakley Farm, Battledown, Cheltenham, Gloucestershire
Local planning authority: Cheltenham Borough Council
Planning reference: P18/0847
Central NGR: SO 97087 22442
Commissioning client: RPS Consulting
WA project number: P5607
WA report number: 2760
Oasis reference: fieldsec1-374158

| DOCUMENT CONTROL PANEL | | | | |
|-------------------------------|------------|------------|--------------------------------|-------------|
| Version | Date | Author | Details | Approved by |
| 1 | 13/12/2019 | Tim Cornah | Draft for comment | Tom Vaughan |
| 2 | 18/12/2019 | Tim Cornah | Client's comments incorporated | Tom Vaughan |

This report is confidential to the client. Worcestershire Archaeology accepts no responsibility or liability to any third party to whom this report, or any part of it, is made known. Any such party relies upon this report entirely at their own risk. No part of this report may be reproduced by any means without permission.

CONTENTS

| | |
|---|----------|
| SUMMARY | 1 |
| REPORT | 2 |
| 1 INTRODUCTION | 2 |
| 1.1 Background to the project | 2 |
| 1.2 Site location, topography and geology..... | 2 |
| 2 ARCHAEOLOGICAL AND HISTORICAL BACKGROUND | 2 |
| 3 PROJECT AIMS | 3 |
| 4 PROJECT METHODOLOGY | 3 |
| 5 ARCHAEOLOGICAL RESULTS | 4 |
| 5.1 Introduction | 4 |
| 5.2 Natural deposits | 4 |
| 5.3 Prehistoric deposits..... | 4 |
| 5.4 Undated deposits | 4 |
| 5.5 Medieval to post-medieval deposits | 4 |
| 5.6 Modern deposits | 4 |
| 6 ARTEFACTUAL EVIDENCE | 5 |
| REPORT | 5 |
| 6.1 Introduction | 5 |
| 6.2 Methodology | 5 |
| 6.2.1 Method of analysis..... | 5 |
| 6.3 Discard policy..... | 5 |
| 6.4 Results | 5 |
| 6.5 Discussion | 6 |
| 7 ENVIRONMENTAL EVIDENCE | 6 |
| 7.1 Introduction | 6 |
| 7.2 Aims..... | 6 |
| 7.3 Methodology..... | 6 |
| 7.3.1 Sampling policy..... | 6 |
| 7.3.2 Processing and analysis | 6 |
| 7.3.3 Discard policy..... | 7 |
| 7.4 Results | 7 |
| 7.4.1 Charred plant macrofossils and charcoal | 7 |
| 7.5 Significance | 8 |
| 7.6 Discard/retention..... | 8 |
| 8 DISCUSSION | 8 |
| 9 SIGNIFICANCE | 9 |
| 10 CONCLUSIONS | 9 |

| | | |
|-----------|--------------------------------|----------|
| 11 | PROJECT PERSONNEL | 9 |
| 12 | ACKNOWLEDGEMENTS..... | 9 |
| 13 | BIBLIOGRAPHY | 9 |

FIGURES

PLATES

APPENDIX 1: TRENCH DESCRIPTIONS

APPENDIX 2: SUMMARY OF PROJECT ARCHIVE

Archaeological evaluation at Oakley Farm, Battledown, Cheltenham, Gloucestershire

By Tim Cornah

With contributions by Rob Hedge and Elizabeth Pearson

Illustrations by Laura Templeton

Summary

An archaeological evaluation was undertaken at Oakley Farm, Battledown, Cheltenham, Gloucestershire (NGR SO 97087 22442). It was commissioned by RPS Consulting on behalf of their client, Robert Hitchins Limited, in advance of a proposed residential development of the site. A planning application has been submitted to Cheltenham Borough Council.

The 26 trenches excavated in an approximate grid array across the site revealed a single late prehistoric gully, along with a further two gullies and four small firepits, which were undated. This aligned closely with the suggested low to moderate potential for the site, for features of Iron age and Roman date. Given the site's steeply sloping topography, the features identified are considered likely to have been peripheral to a settlement site within the wider area and therefore of local significance only.

The remainder of the features related to agricultural practice from the medieval period onwards, most notably in the form of a field boundary ditch and furrows, which had been previously identified.

Only a very small quantity of stratified artefacts was recovered, including pottery of the 1st century AD from the single gully. Environmental remains recovered from the firepits were of limited significance. Although charcoal was moderately abundant, it was poorly preserved and only of possible use for radiocarbon dating.

Report

1 Introduction

1.1 Background to the project

An archaeological evaluation was undertaken by Worcestershire Archaeology (WA) in November 2019 at Oakley Farm, Battledown, Cheltenham, Gloucestershire (NGR SO 97087 22442). It was commissioned by RPS Consulting, on behalf of their client Robert Hitchins Limited, in advance of a proposed residential development of the site. A planning application has been submitted to Cheltenham Borough Council (reference number P18/0847).

The archaeological advisor to the local planning authority considered that the proposed development had the potential to impact upon possible heritage assets. Previous desk-based assessment (CgMs 2019) highlighted a low to moderate potential for prehistoric and Roman activity within the site based on settlement and other activity in the vicinity. The proximity of the site to Battledown Camp was highlighted, although the interpretation of this site as an Iron Age Hill fort is now largely discredited. Geophysical survey (SUMO 2019) within the site identified no definite archaeological anomalies during the magnetometer survey. A few linear anomalies of uncertain origin were mapped, along with an historic field boundary, and evidence of ridge and furrow cultivation (mostly aligned north to south) and underground services were detected.

No brief was provided but a written scheme of investigation (WSI) was prepared by Worcestershire Archaeology (WA 2019) and approved by the Gloucestershire County Council Archaeologist. The evaluation also conforms to the industry guidelines and standards set out by the Chartered Institute for Archaeologists *Standard and guidance: for archaeological field evaluation* (CIfA 2014a).

1.2 Site location, topography and geology

The site is located approximately 2.3km east of the centre of Cheltenham, within Battledown. The site is 14 hectares in area and consists of arable farmland and small elements of woodland with the building of Oakley Farm on its northern side. The southern boundary lies at a height of c 100m (south-west) and c 125m (south-east) above Ordnance Datum (AOD). The ground slopes down by approximately 17m towards the northern boundary, which is situated at c 82m AOD to the north-west, and c 108m AOD to the north-east (CgMs 2019). The site is bounded on its south-eastern side by a reservoir, and a road to the south. On all other sides it is bounded by modern residential development.

The study site is wholly situated upon solid mudstone geology (Charmouth Formation). No superficial deposits are recorded (BGS, 2019).

2 Archaeological and historical background

An archaeological desk-based assessment (DBA) of the site was undertaken by CgMs (2019). The findings presented in the DBA are summarised below.

Battledown Camp is 175m to the south of the site, which is a Scheduled Ancient Monument. This was previously considered to have been the site of an Iron Age hill fort, although this interpretation has increasingly been questioned, with modern descriptions of the site as a group of natural gullies, scarps and ridges accessed via a natural gully. It is clear that there was Iron Age settlement in the area, but this was downslope, at the Whaddon Flood Alleviation scheme c 250 to the north of the site. This settlement continued into the Roman period, along with the broad pattern of occupation on lowland areas principally to the south. The broader area at this time was within the hinterland of the settlements at Gloucester and Cirencester, with no known major settlements in Cheltenham.

The origins of Cheltenham are thought to have been in the Saxon period, with sporadic indications of activity within the wider landscape. The site and its surroundings are likely to have been either wooded or agricultural, which is likely to have continued into the medieval period, when it was put into largely agricultural use, as shown by extant ridge and furrow.

The earliest maps of the site in the 19th century indicates the agricultural use, with the buildings of Oakley Farm constructed before the 1880s 1st edition Ordnance Survey map.

Geophysical (magnetometer) survey (SUMO 2019) within the site identified no definite archaeological features. A few linear anomalies of uncertain origin were mapped, along with an historic field boundary, and evidence of ridge and furrow cultivation (mostly aligned north to south), and modern underground services were detected.

Lidar survey of the site highlights the ridge and furrow cultivation detected during the geophysical survey, as is a probable east to west curvilinear former field boundary. The majority of ridge and furrow is aligned north to south, running downslope, with a small east to west portion surviving within the south-western corner of the site. Several curvilinear features are visible within the southern part of the study site, which may be of natural origin.

3 Project aims

The aims and scope of the project were to undertake sufficient fieldwork to:

- determine the presence or absence of archaeological deposits beyond reasonable doubt;
- identify their location, nature, date and preservation;
- assess their significance;
- assess the likely impact of the proposed development (where the groundworks plans are available).

4 Project methodology

A Written Scheme of Investigation (WSI) was prepared by Worcestershire Archaeology (WA 2019). Fieldwork was undertaken between 28 October and 6 November 2019.

26 trenches, amounting to 2,340m² in area, were excavated over the 14.1ha site, representing a sample of 1.6%. The location of the trenches is indicated in Figure 2.

The trenches were laid out in an approximate grid array across the available areas of the site and were arranged to avoid a number of trees and a potential bat roost. Trench 20 had to be moved approximately 3m south to avoid a service.

Deposits considered not to be significant were removed under constant archaeological supervision using a 360° tracked excavator, employing a toothless bucket. Subsequent excavation was undertaken by hand. Clean surfaces were inspected, and selected deposits were excavated to retrieve artefactual material and environmental samples, as well as to determine their nature. Deposits were recorded according to standard Worcestershire Archaeology practice (WA 2012) and trench and feature locations were surveyed using a differential GPS with an accuracy limit set at <0.04m. On completion of excavation, trenches were reinstated by replacing the excavated material.

All fieldwork records were checked and cross-referenced. Analysis was undertaken through a combination of structural, artefactual and environmental evidence, allied to the information derived from other sources.

The project archive is currently held at the offices of Worcestershire Archaeology. Subject to the agreement of the landowner it is anticipated that it will be deposited at Cheltenham Art Gallery and Museum.

5 Archaeological results

5.1 Introduction

The features recorded in the trenches are shown in Figures 2 and 3. The trench and context inventory is presented in Appendix 1.

5.2 Natural deposits

Natural deposits within all trenches consisted of yellow and grey clays with manganese rich grey silty clay patches. The geology is consistent with the Charmouth mudstone recorded for the area. In Trenches 1 - 6 a further deposit of up to 0.33m was present, that was deepest at the base of the slope in the northern end of the field. This consisted of a compact light yellowish silty clay, of colluvial origin.

5.3 Prehistoric deposits

A single probable prehistoric feature [1704] was recorded in Trench 17, aligned broadly north to south. It was present at a depth of 0.41m below the ground surface, and measured 0.65m in width and 0.18m deep. Its mid brownish yellow silty clay fill (1703) contained a single fragment of prehistoric pottery.

5.4 Undated deposits

Below sub-soil deposits within Trench 24, three small pits, up to 0.45m in diameter, were present [2421, 2423 and 2425]. Of these, one was excavated [2421]. It was 0.13m deep, and contained two charcoal rich fills (2419 and 2420). The base of the feature was hardened through having been heat affected, although no clear evidence for a specifically built structure was present as would be expected for an oven or similar feature. A further such feature of similar scale and form was present in Trench 21 [2105], filled with deposits (2103 and 2104) similar to those present within the firepits in Trench 24. No artefactual material was recovered from any of these features to aid dating. Trench 18 contained two parallel gullies [1804] and [1806]. Gully [1804] was excavated and measured 0.96m wide and 0.25m deep (Figure 3). While no finds were recovered from either of these features, they were potentially of post-medieval date as they were broadly parallel with an extant ditch.

5.5 Medieval to post-medieval deposits

Furrowing was present in numerous trenches, and consistently aligned with extant ridge and furrow at the surface. Within Trenches 1 - 6 and 24 - 26, the furrowing was aligned north to south, although in Trenches 1 - 6 the furrows did not typically extend to the base of the trenches due to the depth of colluvium. In Trenches 7 - 11 the furrowing was aligned in a broadly east to west direction. The furrow fills were indistinguishable from the subsoil which was seen across the site and consisted of a mid orange brown silty clay of between 0.08 and 0.29m deep.

A north-west to south-east aligned ditch within Trench 19 [1904] clearly truncated the subsoil, indicating a likely post-medieval date. This was 3.5m wide and 0.65m deep, and aligned closely with an extant earthwork, the position of which suggested a drainage function.

A further shallow north-west to south-east aligned feature was present in Trench 22 [2204] which had shallow sides consistent with furrowing, although no other furrows remained in the vicinity to support this. Its fill was however consistent with furrowing in that it was similar to the subsoil.

5.6 Modern deposits

Large areas of modern truncation were present in Trenches 20 and 22, as well as ceramic land drains in the majority of trenches. Topsoil consisted of a mid brownish grey silty clay of between 0.23-0.40m in depth and was present in all trenches.

6 Artefactual evidence

By Rob Hedge, PCIfA

Report

6.1 Introduction

The artefact report conforms to standards and guidance issued by the Chartered Institute for Archaeologists (CIfA 2014b), as well as further guidance on pottery analysis, archive creation and museum deposition created by various pottery study groups (PCRG/SGRP/MPRG 2016), the Archaeological Archives Forum (AAF 2011), and the Society of Museum Archaeologists (SMA 1993).

6.2 Methodology

6.2.1 Method of analysis

All hand-retrieved finds were examined, identified, quantified and dated to period.

The pottery was examined under x20 magnification and referenced according to the fabric reference series maintained by Worcestershire Archaeology (Hurst and Rees 1992; WAAS 2017).

6.3 Discard policy

Artefacts from topsoil and subsoil and unstratified contexts will normally be noted but not retained, unless they are of intrinsic interest (e.g. worked flint or flint debitage, featured pottery sherds, and other potential 'registered artefacts'). Large assemblages of post-medieval or modern material, unless there is some special reason to retain (such as local production), may be noted and not retained, or, if appropriate, a representative sample will be retained. Discard of finds from post-medieval and earlier deposits will only be instituted with reference to museum collection policy and/or with agreement of the local museum.

6.4 Results

A small quantity of post-medieval pottery was recovered from topsoil deposits. Sherds were heavily abraded, and their condition is consistent with material incorporated into agricultural soils through processes such as manuring. Topsoil in Trench 5 yielded a single (52g) body sherd of 17th/18th century glazed earthenware (fabric 90) of Ashton Keynes type and a small (4.5g) sherd of unglazed red earthenware (fabric 78), probably an 18th or 19th century flowerpot. Topsoil in Trench 25 contained a single (3g) sherd of black basalt ware, a refined earthenware produced in Staffordshire from approximately AD 1750 to 1820.

Environmental samples from the four firepits in Trenches 21 and 24 yielded only fragments of undiagnostic fired clay, which are not readily dateable by eye. Several fragments from fill (2420) of pit [2421] contained cylindrical impressions and voids 10-11mm in diameter, suggesting they had once been formed around wooden poles.

The only feature to yield dating evidence was gully [1704] in Trench 17. Fill (1703) contained three badly abraded sherds of pottery (21g). One small sandy micaceous sherd contained rounded voids typical of oolitic limestone-tempered wares produced in the Cotswolds in the Iron Age (e.g. fabric 4.6). The remaining two sherds were in a grog-tempered fabric with wiping visible on a blackened outer surface. They had a grey core, orange margins, and an orange inner surface. The grog included occasional rounded red pieces up to 2mm in diameter; other inclusions included quartz and iron-rich rounded stone. Although the size and condition precludes confident identification, it is similar in character to 1st century AD grog-tempered wares such as Gloucester TF2 (Timby 1998, 247). These are generally thought to have their origins in the Late Iron Age, but may continue beyond the Roman conquest (L Griffin, *pers. comm.*).

| Context | Artefact type | Count | Weight (g) | Period | Context TPQ date range |
|---------|---------------|-------|------------|-----------------------|------------------------|
| 500 | Pottery | 2 | 56.5 | Post-medieval | AD 1750 - 1900 |
| 1703 | Pottery | 3 | 21 | Iron Age/ early Roman | AD 0 - 100 |
| 2103 | Fired Clay | N/A | 41 | Undated | Unknown |
| 2104 | Fired Clay | N/A | 133 | Undated | Unknown |
| 2419 | Fired Clay | N/A | 236 | Undated | Unknown |
| 2420 | Fired Clay | N/A | 892 | Undated | Unknown |
| 2500 | Pottery | 1 | 3 | Post-medieval | AD 1750 - 1820 |

Table 1: Finds quantification and dating by context

6.5 Discussion

Although only a very small quantity of stratified artefacts were recovered, the pottery from Trench 17 suggest a *terminus post quem* for the infilling of gully [1704].

7 Environmental evidence

By Elizabeth Pearson, ACIfA

7.1 Introduction

The environmental project conforms to guidance by ClfA (2014b) on archaeological evaluation, further guidance by English Heritage (2011) and the Association for Environmental Archaeology (1995).

7.2 Aims

This project aimed to determine the state of preservation, type, and quantity of environmental remains recovered. The information has been used to assess the importance of the environmental remains.

7.3 Methodology

7.3.1 Sampling policy

Samples were taken according to standard Worcestershire Archaeology practice (WA 2012). A total of four samples (each of 10 litres) were taken from the site (Table 2), of which two were selected for assessment.

7.3.2 Processing and analysis

The samples were processed by flotation using a Siraf tank. The flots were collected on a 300µm sieve and the residue retained on a 1mm mesh. This allows for the recovery of items such as small animal bones, molluscs and seeds.

The residues were scanned by eye and the abundance of each category of environmental remains estimated. A magnet was also used to test for the presence of hammer scale. Only flots and sorted charcoal from lower pit fills were assessed. The flots were scanned using a low power MEIJI stereo light microscope and plant remains identified using modern reference collections maintained by Worcestershire Archaeology, and a seed identification manual (Cappers *et al* 2012). Nomenclature for the plant remains follows Stace (2010).

A selection of the charcoal from the lower fills was examined under a low power MEIJI stereo light microscope in order to determine the presence of oak and non-oak charcoal.

| Context | Sample | Feature type | Fill of | Period | Sample volume (L) | Volume processed (L) | Residue assessed | Flot assessed |
|---------|--------|--------------|---------|---------|-------------------|----------------------|------------------|---------------|
| 2103 | 3 | Pit | 2105 | undated | 10 | 10 | Yes | Yes |
| 2104 | 4 | Pit | 2105 | undated | 10 | 10 | Yes | Yes |
| 2419 | 1 | Pit | 2421 | undated | 10 | 10 | Yes | Yes |
| 2420 | 2 | Pit | 2421 | undated | 10 | 10 | Yes | Yes |

Table 2: List of bulk samples

7.3.3 Discard policy

Remaining soil sample and residues (post scanning) will be discarded after a period of three months following submission of this report unless there is a specific request to retain them.

7.4 Results

7.4.1 Charred plant macrofossils and charcoal

The results are summarised in Tables 3 and 4.

A moderate quantity of oak (*Quercus robur/petraea*) and non-oak were identified in both lower fills (2104) and (2420) of fire pits [2105 and 2421] respectively. The charcoal was poorly preserved and not suitable for analysis of wood species in order to interpret wood fuel use, although it may be possible to identify non-oak species for the purposes of dating the pits by radiocarbon dating.

Small amounts of charred fungal sclerotia (spores) were also identified in fill (2104) of pit [2105]. Charcoal and flots were not assessed from the upper fills (2103) and (2419), although the results from scanning of heavy residues are presented in Table 2.

Uncharred remains, consisting of mainly root fragments are assumed to be modern and intrusive as they are unlikely to have survived in the soils on site for long without charring or waterlogging.

| context | sample | residue mesh size (mm) | residue volume (L) | charcoal | unch* | hammerscale |
|---------|--------|------------------------|--------------------|----------|-------|----------------|
| 2103 | 3 | 1 | 0.4 | mod | occ | mod fired clay |
| 2104 | 4 | 1 | 0.5 | mod | abt | abt fired clay |
| 2419 | 1 | 1 | 1.3 | mod | occ | abt fired clay |
| 2420 | 2 | 1 | 2.2 | mod | abt | abt fired clay |

Table 3: Summary of environmental remains (occ = occasional, mod = moderate, abt = abundant, unch* = uncharred - probably modern and intrusive)

| context | sample | preservation type | species detail | category remains | quantity/diversity | comment |
|---------|--------|-------------------|--|------------------|--------------------|--|
| 2104 | 4 | unch* | unidentified root fragments (herbaceous) | misc | ++++/low | |
| 2104 | 4 | ch | unidentified wood fragments, unidentified fungal sclerotia | misc | +/low | |
| 2104 | 4 | ch | <i>Quercus robur/petraea</i> wood | misc | +++ /high | Poor preservation |
| 2420 | 2 | unch* | unidentified moss fragments, unidentified root fragments (herbaceous) | misc | ++++/low | |
| 2420 | 2 | ch | <i>Quercus robur/petraea</i> wood, unidentified wood fragments, non-oak wood | misc | +/low | Poorly preserved - not suitable for analysis |

Table 4: Plant remains from bulk samples

Key:

| preservation | quantity |
|----------------------------------|-----------------------------------|
| ch = charred | + = 1 - 10 |
| unch* = waterlogged or uncharred | ++ = 11 - 50 |
| | +++ = 51 - 100 |
| | ++++ = 101+ |
| | * = probably modern and intrusive |

7.5 Significance

The environmental remains are of limited significance. Although charcoal is moderately abundant, it is poorly preserved and only of possible use for radiocarbon dating.

7.6 Discard/retention

Remaining soil samples and residues will be discarded after three months following submission of this report.

8 Discussion

The background research and geophysical survey of the site indicated a low to moderate potential for Iron Age and Roman features within the site. Combined with the site's sloping topography, it was not considered likely to contain extensive settlement activity. This level of potential was reflected in the trenching which identified a single gully of probable late Iron Age date and four undated firepits.

The function of the gully was unclear, although an agricultural function was likely given the unsuitability of the site for settlement. The four fire pits could potentially be contemporary with the prehistoric gully. The exact function of these pits also remained unclear as they did not contain any obvious superstructure and, although in a group, were otherwise in isolation.

The remaining features of the site related closely to the results of the geophysical and lidar survey in that they highlighted agricultural features, most notably ridge and furrow of probable medieval to post-medieval date.

9 Significance

The primary significance of the archaeological features on the site relate to a single prehistoric gully and four undated firepits. Given the lack of density of these features, it is unlikely that the site represents anything beyond outlying activity. They therefore may be considered to be of local significance only.

The furrows and other drainage features are of negligible significance, all being products of medieval to modern agricultural activity. The residual artefacts recovered reflect this activity.

10 Conclusions

The 26 trenches excavated in an approximate grid array across the site revealed a single late prehistoric gully and four small firepits, the latter of which were all undated. This aligned closely with the suggested low to moderate potential for the site, for features of Iron age and Roman date. Given the site's steeply sloping topography, the features identified are considered likely to have been peripheral to a settlement site within the wider area and therefore of local significance only.

The remainder of the features related to agricultural practice from the medieval period onwards, most notably in the form of a field boundary ditch and furrows, which had been previously identified.

Only a very small quantity of stratified artefacts was recovered, including pottery of the 1st century AD from the single gully. Environmental remains recovered from the firepits were of limited significance. Although charcoal was moderately abundant, it was poorly preserved and only of possible use for radiocarbon dating.

The methods adopted allow a high degree of confidence that the aims of the project have been achieved. Conditions were suitable in all of the trenches to identify the presence or absence of archaeological features. It is considered that the nature, density and distribution of archaeological features provides an accurate characterisation of the proposed development site as a whole.

11 Project personnel

The fieldwork was led by Tim Cornah, ACIfA, assisted by Elspeth Iloff, PCIfA.

The project was managed by Tom Vaughan, MCIfA. The report was produced and collated by Tim Cornah. Specialist contributions and individual sections of the report are attributed to the relevant authors throughout the text.

12 Acknowledgements

Worcestershire Archaeology would like to thank the following for the successful conclusion of the project: Neil Wright (Senior Archaeological Consultant, RPS Consulting), and Charles Parry (Archaeologist, Gloucestershire County Council).

13 Bibliography

AAF, 2011 *Archaeological archives: a guide to the best practice in the creation, compilation, transfer and curation*. Archaeological Archives Forum

Association for Environmental Archaeology, 1995 *Environmental archaeology and archaeological evaluations: recommendations concerning the environmental component of archaeological evaluations in England*. Working Papers of the Association for Environmental Archaeology 2

BGS, 2019 Geology of Britain viewer. <http://mapapps.bgs.ac.uk/geologyofbritain/home.html>
Accessed: 7 November 2019

Cappers, T R J, Bekker, R M, & Jans, J E A, 2012 *Digitale Zadenatlas van Nederland: Digital seed atlas of the Netherlands*. Groningen Archaeological Studies, 4, Barkhuis Publishing and Groningen University Library: Groningen

CgMs 2019 *Archaeological Desk Based Assessment Oakley Farm, Battledown, Cheltenham, Gloucestershire*, CgMs Unpublished document 2019

ClfA, 2014a *Standard and guidance: for archaeological field evaluation*. Reading: Chartered Institute for Archaeologists

ClfA, 2014b *Standard and guidance: for collection, documentation, conservation and research of archaeological materials*. Reading: Chartered Institute for Archaeologists

ClfA, 2014c *Standard and guidance: for the creation, compilation, transfer and deposition of archaeological archives*. Reading: Chartered Institute for Archaeologists

English Heritage, 2011 *Environmental archaeology: a guide to the theory and practice of methods, from sampling and recovery to post-excavation*. English Heritage, Centre for Archaeology Guidelines

Hurst, J D, & Rees, H, 1992 Pottery fabrics; a multi-period series for the County of Hereford and Worcester, in S G Woodiwiss (ed), *Iron Age and Roman salt production and the medieval town of Droitwich*. York: CBA Research Report 81, 200–209

PCR/SGRP/MPRG, 2016 *A standard for pottery studies in archaeology*. Prehistoric Ceramics Research Group, Study Group for Roman Pottery, Medieval Pottery Research Group

SMA, 1993 *Selection, retention and dispersal of archaeological collections*. Society of Museum Archaeologists

Stace, C, 2010 *New flora of the British Isles* (3rd edition). Cambridge: Cambridge University Press

SUMO, 2019 *Geophysical Survey Report, Oakley Farm, Battledown, Cheltenham, Gloucestershire*, Survey Report 15181, dated 30 May 2019

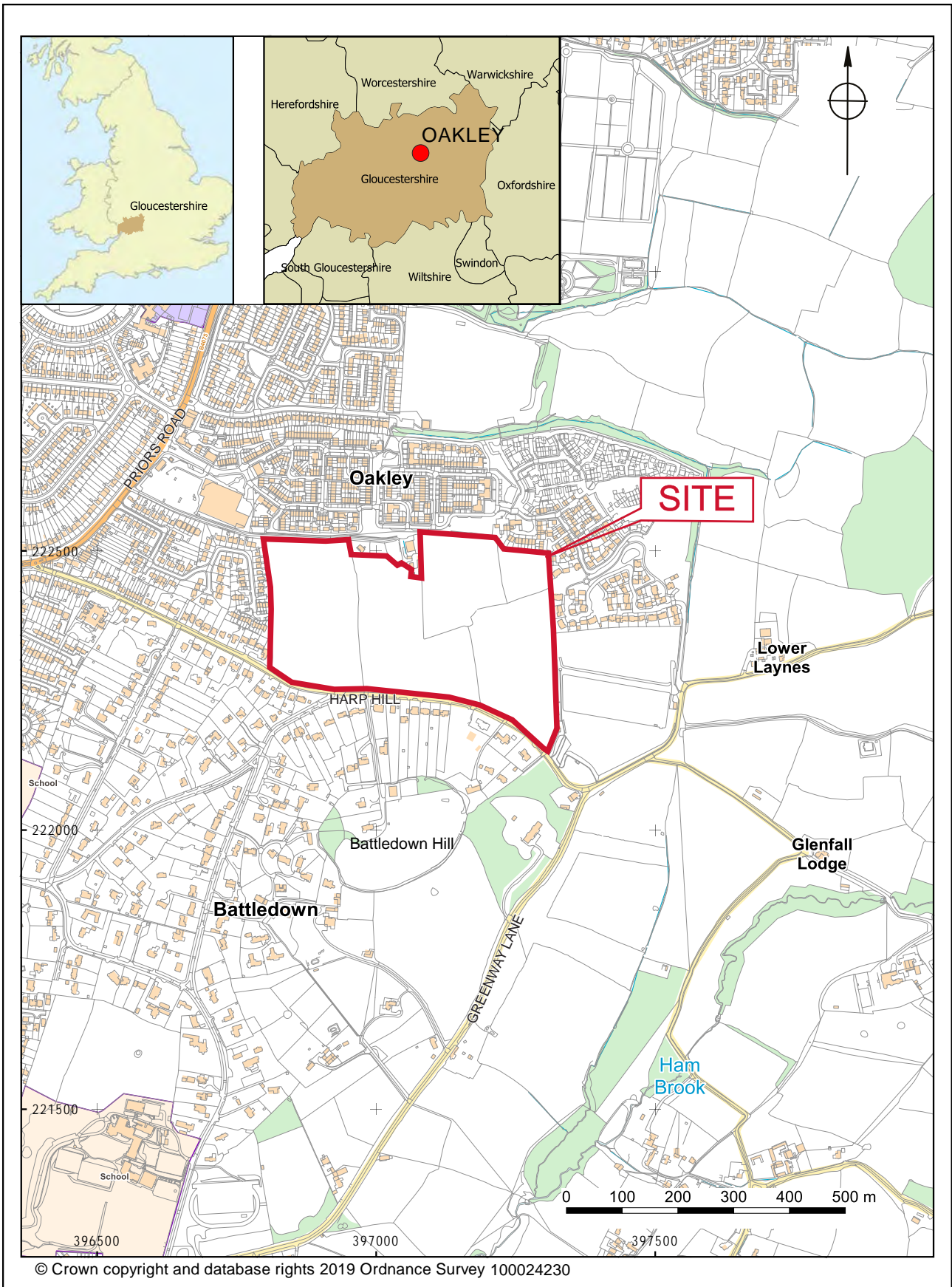
Timby, J, 1998 *Excavations at Kingscote and Wycomb, Gloucestershire*. Cotswold Archaeological Trust.

WA, 2012 *Manual of service practice, recording manual*, Worcestershire Archaeology Unpubl report 1842. Worcestershire County Council

WA, 2019 *Written Scheme of Investigation for an archaeological evaluation at Oakley Farm, Priors Road, Battledown, Cheltenham, Gloucestershire*, Worcestershire Archaeology Unpubl document dated 16 October 2019. Worcestershire County Council

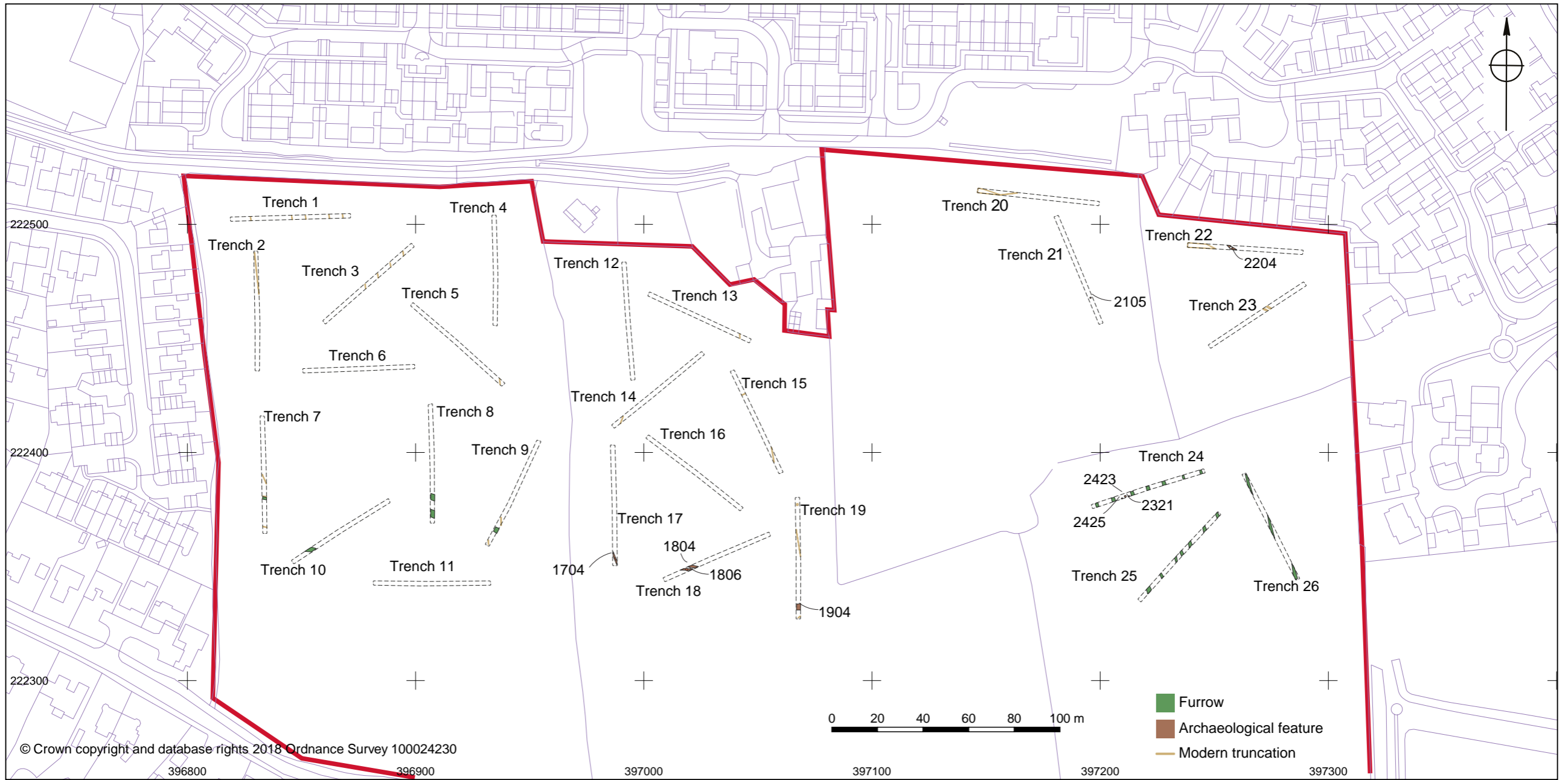
WAAS 2017 Worcestershire Ceramics Online Database. <https://www.worcestershireceramics.org/>
Accessed: 12/12/2019

Figures



Location of the site

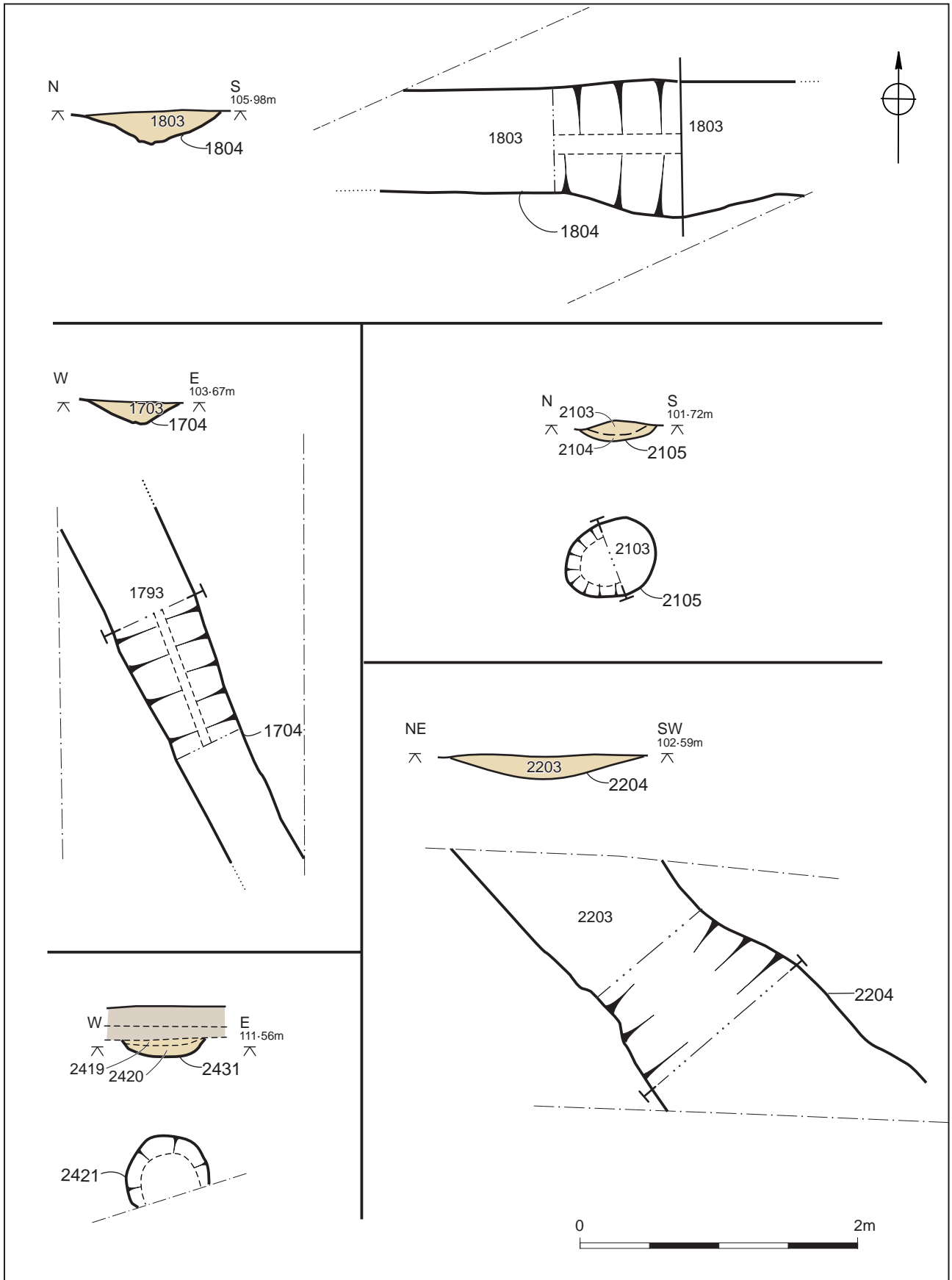
Figure 1



© Crown copyright and database rights 2018 Ordnance Survey 100024230

Trench Plan

Figure 2



Archaeological features; plans and sections

Figure 3

Plates



Plate 1 Trench 17, Gully 1704, looking north-west, scale 0.5m



Plate 2 Trench 24, Firepits [2421, 2423 and 2425], looking south, scale 1m



Plate 3 Trench 24, Fire pit [2421], looking south, scale 0.5m



Plate 4 Trench 21, Fire pit [2105], looking east, scale 0.5m



Plate 5 Trench 18, Gully [1806], looking north-west, scale 1m



Plate 6 Trench 22, Probable furrow [2204], looking south-east, scale 1m



Plate 7 Trench19, Ditch [1904], looking north-west, scale 1m

Appendix 1: Trench descriptions

Trench 1

Length: 50 Width: 1.8 Orientation: East to west

Context summary:

| Context | Feature type | Context type | Description | Height/ depth | Interpretation |
|---------|--------------|--------------|-------------|---------------|---|
| 100 | Topsoil | Layer | Topsoil | 0.23m | Friable brownish grey silty clay |
| 101 | Subsoil | Layer | Subsoil | 0.1m | Moderately compact brownish orange silty clay |
| 102 | Colluvium | Layer | Colluvium | 0.32m | Compact yellowish orange silty clay |
| 103 | Natural | Layer | Natural | | Compact greyish yellow silty clay |

Trench 2

Length: 52 Width: 1.8 Orientation: North to south

Context summary:

| Context | Feature type | Context type | Description | Height/ depth | Interpretation |
|---------|--------------|--------------|-------------|---------------|--|
| 200 | Topsoil | Layer | Topsoil | 0.3m | Friable brownish grey silty clay |
| 201 | Subsoil | Layer | Subsoil | 0.23m | Moderately compact orangey yellow silty clay |
| 202 | Natural | Layer | Natural | | Compact greyish yellow silty clay |

Trench 3

Length: 51.6 Width: 1.8 Orientation: North-east to south-west

Context summary:

| Context | Feature type | Context type | Description | Height/ depth | Interpretation |
|---------|--------------|--------------|-------------|---------------|-------------------------------------|
| 300 | Topsoil | Layer | Topsoil | 0.31m | Friable brownish grey silty clay |
| 301 | Subsoil | Layer | Subsoil | 0.29m | Compact yellowish orange silty clay |
| 302 | Natural | Layer | Natural | | Compact greyish yellow silty clay |

Trench 4

Length: 48.5 Width: 1.8 Orientation: North to south

Context summary:

| Context | Feature type | Context type | Description | Height/ depth | Interpretation |
|---------|--------------|--------------|-------------------|---------------|--|
| 400 | Topsoil | Layer | Topsoil | 0.36m | Friable greyish brown silty clay |
| 401 | Subsoil | Layer | Subsoil/Colluvium | 0.4m | Moderately compact yellowish orange silty clay |
| 402 | Natural | Layer | Natural | | Compact greyish yellow silty clay |

Trench 5

Length: 53.4 Width: 1.8 Orientation: North-west to south-east

Context summary:

| Context | Feature type | Context type | Description | Height/ depth | Interpretation |
|---------|--------------|--------------|-------------|---------------|--|
| 500 | Topsoil | Layer | Topsoil | 0.32m | Friable brownish grey silty clay |
| 501 | Subsoil | Layer | Subsoil | 0.26m | Moderately compact yellowish orange silty clay |
| 502 | Natural | Layer | Natural | | Compact greyish yellow silty clay |

Trench 6

Length: 49 Width: 1.8 Orientation: East to west

Context summary:

| Context | Feature type | Context type | Description | Height/ depth | Interpretation |
|---------|--------------|--------------|-------------|---------------|--|
| 600 | Topsoil | Layer | Topsoil | 0.32m | Friable brownish grey silty clay |
| 601 | Subsoil | Layer | Subsoil | 0.22m | Moderately compact yellowish orange silty clay |
| 602 | Natural | Layer | Natural | | Compact greyish yellow silty clay |

Trench 7

Length: 51.5

Width: 1.8

Orientation: North to south

Context summary:

| Context | Feature type | Context type | Description | Height/ depth | Interpretation |
|---------|--------------|--------------|----------------------|---------------|--|
| 700 | Topsoil | Layer | Topsoil | 0.35m | Friable brownish grey silty clay |
| 701 | Subsoil | Layer | Subsoil | 0.32m | Moderately compact yellowish orange silty clay |
| 702 | Natural | Layer | Natural | | Compact greyish yellow silty clay |
| 703 | Furrow | Fill | Fill of furrow [704] | unexc. | |
| 704 | Furrow | Cut | Cut of furrow | unexc. | |

Trench 8

Length: 52

Width: 1.8

Orientation: North to south

Context summary:

| Context | Feature type | Context type | Description | Height/ depth | Interpretation |
|---------|--------------|--------------|----------------------|---------------|--|
| 800 | Topsoil | Layer | Topsoil | 0.38m | Friable brownish grey silty clay |
| 801 | Subsoil | Layer | Subsoil | 0.16m | Moderately compact yellowish orange silty clay |
| 802 | Natural | Layer | Natural | | Compact greyish yellow silty clay |
| 803 | Furrow | Fill | Fill of furrow [804] | unexc. | |
| 804 | Furrow | Cut | Cut of furrow | unexc. | |
| 805 | Furrow | Fill | Fill of furrow [806] | unexc. | |
| 806 | Furrow | Cut | Cut of furrow | unexc. | |

Trench 9

Length: 51 Width: 1.8 Orientation: North-east to south-west

Context summary:

| Context | Feature type | Context type | Description | Height/ depth | Interpretation |
|---------|--------------|--------------|----------------------|---------------|---|
| 900 | Topsoil | Layer | Topsoil | 0.36m | Friable brownish grey silty clay |
| 901 | Subsoil | Layer | Subsoil | 0.18m | Moderately compact brownish orange silty clay |
| 902 | Natural | Layer | Natural | | Compact greyish yellow silty clay |
| 903 | Furrow | Fill | Fill of furrow [904] | unexc. | |
| 904 | Furrow | Cut | Cut of furrow | unexc. | |

Trench 10

Length: 51.3 Width: 1.8 Orientation: North-east to south-west

Context summary:

| Context | Feature type | Context type | Description | Height/ depth | Interpretation |
|---------|--------------|--------------|-----------------------|---------------|---|
| 1000 | Topsoil | Layer | Topsoil | 0.4m | Friable brownish grey silty clay |
| 1001 | Subsoil | Layer | Subsoil | 0.22m | Moderately compact brownish orange silty clay |
| 1002 | Natural | Layer | Natural | | Compact greyish orange silty clay |
| 1003 | Furrow | Fill | Fill of furrow [1104] | unexc. | |
| 1004 | Furrow | Cut | Cut of furrow | unexc. | |

Trench 11

Length: 51.8 Width: 1.8 Orientation: East to west

Context summary:

| Context | Feature type | Context type | Description | Height/ depth | Interpretation |
|---------|--------------|--------------|-------------|---------------|--|
| 1100 | Topsoil | Layer | Topsoil | 0.26m | Friable brownish grey silty clay |
| 1101 | Subsoil | Layer | Subsoil | 0.08m | Moderately compact yellowish orange silty clay |
| 1102 | Natural | Layer | Natural | | Compact greyish yellow silty clay |

Trench 12

Length: 49.1 Width: 1.8 Orientation: North to south

Context summary:

| Context | Feature type | Context type | Description | Height/ depth | Interpretation |
|---------|--------------|--------------|-------------|---------------|---|
| 1200 | Topsoil | Layer | Topsoil | 0.18m | Friable brownish grey silty clay |
| 1201 | Subsoil | Layer | Subsoil | 0.1m | Moderately compact brownish orange silty clay |
| 1202 | Natural | Layer | Natural | | Compact yellowish orange silty clay |

Trench 13

Length: 49 Width: 1.8 Orientation: North-west to south-east

Context summary:

| Context | Feature type | Context type | Description | Height/ depth | Interpretation |
|---------|--------------|--------------|-------------|---------------|---|
| 1300 | Topsoil | Layer | Topsoil | 0.27m | Friable brownish grey silty clay |
| 1301 | Subsoil | Layer | Subsoil | 0.11m | Moderately compact brownish grey silty clay |
| 1302 | Natural | Layer | Natural | | Compact yellowish orange silty clay |

Trench 14

Length: 51 Width: 1.8 Orientation: North-east to south-west

Context summary:

| Context | Feature type | Context type | Description | Height/ depth | Interpretation |
|---------|--------------|--------------|-------------|---------------|---|
| 1400 | Topsoil | Layer | Topsoil | 0.3m | Friable brownish grey silty clay |
| 1401 | Subsoil | Layer | Subsoil | 0.14m | Moderately compact brownish orange silty clay |
| 1402 | Natural | Layer | Natural | | Compact yellowish orange silty clay |

Trench 15

Length: 49.7

Width: 1.8

Orientation: North-west to south-east

Context summary:

| Context | Feature type | Context type | Description | Height/ depth | Interpretation |
|---------|--------------|--------------|-------------|---------------|---|
| 1500 | Topsoil | Layer | Topsoil | 0.3m | Friable brownish grey silty clay |
| 1501 | Subsoil | Layer | Subsoil | 0.12m | Moderately compact brownish orange silty clay |
| 1502 | Natural | Layer | Natural | | Compact yellowish orange silty clay |

Trench 16

Length: 52

Width: 1.8

Orientation: North-west to south-east

Context summary:

| Context | Feature type | Context type | Description | Height/ depth | Interpretation |
|---------|--------------|--------------|-------------|---------------|---|
| 1600 | Topsoil | Layer | Topsoil | 0.29m | Friable brownish grey silty clay |
| 1601 | Subsoil | Layer | Subsoil | 0.15m | Moderately compact brownish orange silty clay |
| 1602 | Natural | Layer | Natural | | Compact greyish orange silty clay |

Trench 17

Length: 52.8

Width: 1.8

Orientation: North to south

Context summary:

| Context | Feature type | Context type | Description | Height/ depth | Interpretation |
|---------|--------------|--------------|--|---------------|---|
| 1700 | Topsoil | Layer | Topsoil | 0.2m | Friable brownish grey silty clay |
| 1701 | Subsoil | Layer | Subsoil | 0.21m | Moderately compact brownish orange silty clay |
| 1702 | Natural | Layer | Natural | | Compact yellowish orange silty clay |
| 1703 | Gully | Fill | Fill of gully [1704] | 0.18m | Soft brownish yellow silty clay |
| 1704 | Gully | Cut | Cut of gully. Small, possibly prehistoric? Function unclear given hillside position and nothing else around. | 0.18m | |

Trench 18

Length: 50.5

Width: 1.8

Orientation: North-east to south-west

Context summary:

| Context | Feature type | Context type | Description | Height/ depth | Interpretation |
|---------|--------------|--------------|---|---------------|---|
| 1800 | Topsoil | Layer | Topsoil | 0.35m | Friable brownish grey silty clay |
| 1801 | Subsoil | Layer | Subsoil | 0.18m | Moderately compact brownish orange silty clay |
| 1802 | Natural | Layer | Natural | | Compact greyish orange silty clay |
| 1803 | Gully | Fill | Fill of gully [1804]. | 0.25m | yellowish brown silty clay |
| 1804 | Gully | Cut | Cut of small gully. Probably post-med as it is broadly parallel with a visible ditch. | 0.25m | |
| 1805 | Gully | Fill | Fill of gully [1806]. | unexc. | yellowish brown silty clay |
| 1806 | Gully | Cut | Cut of gully. | unexc. | |

Trench 19

Length: 53

Width: 1.8

Orientation: North to south

Context summary:

| Context | Feature type | Context type | Description | Height/ depth | Interpretation |
|---------|--------------|--------------|--|---------------|---|
| 1900 | Topsoil | Layer | Topsoil | 0.31m | Friable brownish grey silty clay |
| 1901 | Subsoil | Layer | Subsoil | 0.11m | Moderately compact brownish orange silty clay |
| 1902 | Natural | Layer | Natural | | Compact yellowish orange silty clay |
| 1903 | Ditch | Fill | Fill of ditch [1904]. | 0.56m | Moderately compact greyish brown silty clay |
| 1904 | Ditch | Cut | Cut of ditch. Cuts from high, through subsoil so likely post-med. Lines up with an extant ditch visible in landscape. Likely drainage or | 0.56m | |

Trench 20

Length: 53

Width: 1.8

Orientation: East to west

Context summary:

| Context | Feature type | Context type | Description | Height/ depth | Interpretation |
|---------|--------------|--------------|-------------|---------------|---|
| 2000 | Topsoil | Layer | Topsoil | 0.24m | Friable brownish grey silty clay |
| 2001 | Subsoil | Layer | Subsoil | 0.07m | Moderately compact brownish orange silty clay |
| 2002 | Natural | Layer | Natural | | Compact greyish yellow silty clay |

Trench 21

Length: 51

Width: 1.8

Orientation: North-west to south-east

Context summary:

| Context | Feature type | Context type | Description | Height/ depth | Interpretation |
|---------|--------------|--------------|---|---------------|--|
| 2100 | Topsoil | Layer | Topsoil | 0.33m | Friable brownish grey silty clay |
| 2101 | Subsoil | Layer | Subsoil | 0.11m | Moderately compact greyish orange silty clay |
| 2102 | Natural | Layer | Natural | | Compact greyish orange silty clay |
| 2103 | Pit | Fill | Upper fill of pit [2105]. | 0.12m | Compact grey clay |
| 2104 | Pit | Fill | Fill of pit [2105]. Probably heat affected natural. | 0.17m | Compact greyish red clay |
| 2105 | Pit | Cut | Cut of pit. Undated. Possibly a fire pit. | 0.19m | |

Trench 22

Length: 50.6

Width: 1.8

Orientation: East to west

Context summary:

| Context | Feature type | Context type | Description | Height/ depth | Interpretation |
|---------|--------------|--------------|--|---------------|---|
| 2200 | Topsoil | Layer | Topsoil | 0.34m | Friable brownish grey silty clay |
| 2201 | Subsoil | Layer | Subsoil | 0.06m | Moderately compact brownish orange silty clay |
| 2202 | Natural | Layer | Natural | | Compact greyish orange silty clay |
| 2203 | Furrow | Fill | Fill of possible furrow [2204]. | 0.17m | Compact yellowish grey silty clay |
| 2204 | Furrow | Cut | Cut of possible furrow. Aligned roughly nw-se. | 0.17m | |

Trench 23

Length: 50.1

Width: 1.8

Orientation: North-east to south-west

Context summary:

| Context | Feature type | Context type | Description | Height/ depth | Interpretation |
|---------|--------------|--------------|-------------|---------------|---|
| 2300 | Topsoil | Layer | Topsoil | 0.25m | Friable brownish grey silty clay |
| 2301 | Subsoil | Layer | Subsoil | 0.07m | Moderately compact brownish orange silty clay |
| 2302 | Natural | Layer | Natural | | Compact greyish yellow silty clay |

Trench 24

Length: 51.6

Width: 1.8

Orientation: North-east to south-west

Context summary:

| Context | Feature type | Context type | Description | Height/ depth | Interpretation |
|---------|--------------|--------------|---|---------------|---|
| 2400 | Topsoil | Layer | Topsoil | 0.29m | Friable brownish grey silty clay |
| 2401 | Subsoil | Layer | Subsoil | 0.11m | Moderately compact brownish orange silty clay |
| 2402 | Natural | Layer | Natural | | Compact greyish yellow silty clay |
| 2403 | Furrow | Fill | Fill of furrow [2404]. | unexc. | |
| 2404 | Furrow | Cut | Cut of furrow | unexc. | |
| 2405 | Furrow | Fill | Fill of furrow [2406]. | unexc. | |
| 2406 | Furrow | Cut | Cut of furrow | unexc. | |
| 2407 | Furrow | Fill | Fill of furrow [2408]. | unexc. | |
| 2408 | Furrow | Cut | Cut of furrow | unexc. | |
| 2409 | Furrow | Fill | Fill of furrow [2410]. | unexc. | |
| 2410 | Furrow | Cut | Cut of furrow | unexc. | |
| 2411 | Furrow | Fill | Fill of furrow [2412]. | unexc. | |
| 2412 | Furrow | Cut | Cut of furrow | unexc. | |
| 2413 | Furrow | Fill | Fill of furrow [2414]. | unexc. | |
| 2414 | Furrow | Cut | Cut of furrow | unexc. | |
| 2415 | Furrow | Fill | Fill of furrow [2416]. | unexc. | |
| 2416 | Furrow | Cut | Cut of furrow | unexc. | |
| 2417 | Pit | Fill | Fill of possible pit [2418]. | unexc. | |
| 2418 | Pit | Cut | Cut of possible pit. Not visible following flooding so may not be real. | unexc. | |
| 2419 | Pit | Fill | Fill of pit [2421]. | 0.05m | Compact grey silty clay |
| 2420 | Pit | Fill | Fill of pit [2421]. | 0.08m | Compact blackish red silty clay |
| 2421 | Pit | Cut | Cut of fire pit. Undated. | 0.13m | |
| 2422 | Pit | Fill | Fill of pit [2423]. | unexc. | Compact grey silty clay |
| 2423 | Pit | Cut | Cut of pit. Possible fire pit. Similar to [2421]. | unexc. | |
| 2424 | Pit | Fill | Fill of pit [2425]. | unexc. | Compact grey silty clay |
| 2425 | Pit | Cut | Cut of pit. Possible fire pit. Similar to [2421]. | unexc. | |

Trench 25

Length: 52

Width: 1.8

Orientation: North-east to south-west

Context summary:

| Context | Feature type | Context type | Description | Height/ depth | Interpretation |
|---------|--------------|--------------|------------------------|---------------|---|
| 2500 | Topsoil | Layer | Topsoil | 0.33m | Friable brownish grey silty clay |
| 2501 | Subsoil | Layer | Subsoil | 0.15m | Moderately compact orangey brown silty clay |
| 2502 | Natural | Layer | Natural | | Compact greyish yellow silty clay |
| 2503 | Furrow | Fill | Fill of furrow [2504]. | unexc. | |
| 2504 | Furrow | Cut | Cut of furrow | unexc. | |
| 2505 | Furrow | Fill | Fill of furrow [2506]. | unexc. | |
| 2506 | Furrow | Cut | Cut of furrow | unexc. | |
| 2507 | Furrow | Fill | Fill of furrow [2508] | unexc. | |
| 2508 | Furrow | Cut | Cut of furrow | unexc. | |
| 2509 | Furrow | Fill | Fill of furrow [2510]. | unexc. | |
| 2510 | Furrow | Cut | Cut of furrow | unexc. | |
| 2511 | Furrow | Fill | Fill of furrow [2512]. | unexc. | |
| 2512 | Furrow | Cut | Cut of furrow | unexc. | |
| 2513 | Furrow | Fill | Fill of furrow [2514] | unexc. | |
| 2514 | Furrow | Cut | Cut of furrow | unexc. | |
| 2515 | Furrow | Fill | Fill of furrow [2516]. | unexc. | |
| 2516 | Furrow | Cut | Cut of furrow | unexc. | |

Trench 26

Length: 51.8

Width: 1.8

Orientation: North-west to south-east

Context summary:

| Context | Feature type | Context type | Description | Height/ depth | Interpretation |
|---------|--------------|--------------|------------------------|---------------|---|
| 2600 | Topsoil | Layer | Topsoil | 0.32m | Friable brownish grey silty clay |
| 2601 | Subsoil | Layer | Subsoil | 0.14m | Moderately compact brownish orange silty clay |
| 2602 | Natural | Layer | Natural | | Compact orangey yellow silty clay |
| 2603 | Furrow | Fill | Fill of furrow [2604]. | unexc. | |
| 2604 | Furrow | Cut | Cut of furrow | unexc. | |
| 2605 | Furrow | Fill | Fill of furrow [2606]. | unexc. | |
| 2606 | Furrow | Cut | Cut of furrow | unexc. | |
| 2607 | Furrow | Fill | Fill of furrow [2608]. | unexc. | |
| 2608 | Furrow | Cut | Cut of furrow | unexc. | |
| 2609 | Furrow | Fill | Fill of furrow [2610]. | unexc. | |
| 2610 | Furrow | Cut | Cut of furrow | unexc. | |

Appendix 2: Summary of project archive

| TYPE | DETAILS* |
|-----------------------------|--|
| Artefacts and Environmental | Ceramics, Environmental |
| Paper | Context sheet, Diary (Field progress form), Drawing, Photograph, Plan, Report, Section, Survey |
| Digital | Database, GIS, Images raster/digital photography, Spreadsheets, Survey, Text |

*OASIS terminology