

JOHN MOORE HERITAGE SERVICES

**AN ARCHAEOLOGICAL EVALUATION
AT
RUTHERFORD APPLETON LABORATORY,
CHILTON, DIDCOT, OXFORDSHIRE**

SU 4758 8640 and SU 4760 8600

On behalf of

Rutherford Appleton Laboratory

April 2002

REPORT FOR Rutherford Appleton Laboratory
Chilton
Didcot
Oxfordshire
OX11 0QX

PREPARED BY Amy Gray Jones

FIELDWORK 8th – 11th April 2002

REPORT ISSUED 26th April 2002

ENQUIRES TO John Moore Heritage Services
48 Cornwallis Road
Oxford OX4 3NW

Telephone/Fax 01865 775473

CONTENTS

	Page
<i>SUMMARY</i>	1
1 INTRODUCTION	1
1.1 Site Location	
1.2 Planning Background	
1.3 Archaeological Background	
2 AIMS OF THE INVESTIGATION	1
3 STRATEGY	2
3.1 Research Design	
3.2 Methodology	
4 RESULTS	6
5 FINDS	13
6 DISCUSSION	16
7 CONCLUSIONS	17
8 BIBLIOGRAPHY	17
9 OTHER	17
APPENDICES	18
FIGURES	
Figure 1 Site location	3
Figure 2 Trench location – SITE A	4
Figure 3 Trench location – SITE B	5
Figure 4 Trench plans – Trenches 1, 2, 3, 8	7
Figure 5 Trench plans – Trenches 9, 11, 13, 14	10
Figure 6 Sections of excavated features	11
TABLES	
Table 1 Pottery assemblage	14
Table 2 Flint assemblage	15

Summary

The evaluation of the proposed development area revealed archaeological features in Site B dating from the Roman period. These features are perhaps consistent with a farmstead or similar occupation. The pottery recovered suggests that this occupation may have spanned the entire Roman period, from the mid-late 1st century to the 4th century, with the late 2nd century onwards most strongly represented and perhaps the main period of occupation.

1 INTRODUCTION

1.1 Site Location (Figure 1)

The site of proposed development lies at approximately 122m above Ordnance Datum and is located on the Harwell Campus. Two areas are to be subject to development. Site A lies south of Fermi Avenue and mostly east of Road Four (centred at NGR SU 4785 8640) and is c. 10ha in area. Site B is located to the west of Severn Road and south of Road Fourteen (area centred at NGR SU 4760 8600). Site A was mainly playing fields and grass verges. Site B appeared to be in set-aside. The underlying geology is chalk drift overlying chalk, although the chalk drift was absent in Site B.

1.2 Planning Background

It has been proposed to develop a Synchrotron light source at Harwell. The proposal includes a main building, approximately 230m in diameter, associated office/laboratory building and car parking for some 350 vehicles. Due to the presence of remains of archaeological interest in the vicinity of the proposal area, the County Archaeological Services (CAS) advised that an archaeological evaluation of the site should be undertaken to determine the presence / absence of remains of significance. The CAS produced a *Brief* for such an evaluation and John Moore Heritage Services (JMHS), in accordance with a *Written Scheme of Investigation* agreed with the CAS, carried out such an evaluation.

1.3 Archaeological and Historical Background

Prior to the development of the area to the south a possible Bronze Age barrow cemetery of four barrows was identified by aerial photography. The potential extent of the cemetery or any associated features is unknown. Romano-British pottery has been found in the area. The area of proposed development was a World War II airfield and part had been used for practice bombing runs. There was therefore high potential for both live and spent ammunition on the site.

2 AIMS OF THE INVESTIGATION

The aims of the investigation as laid out in the *Written Scheme of Investigation* were as follows:

- To establish the presence/absence of archaeological remains within the site.

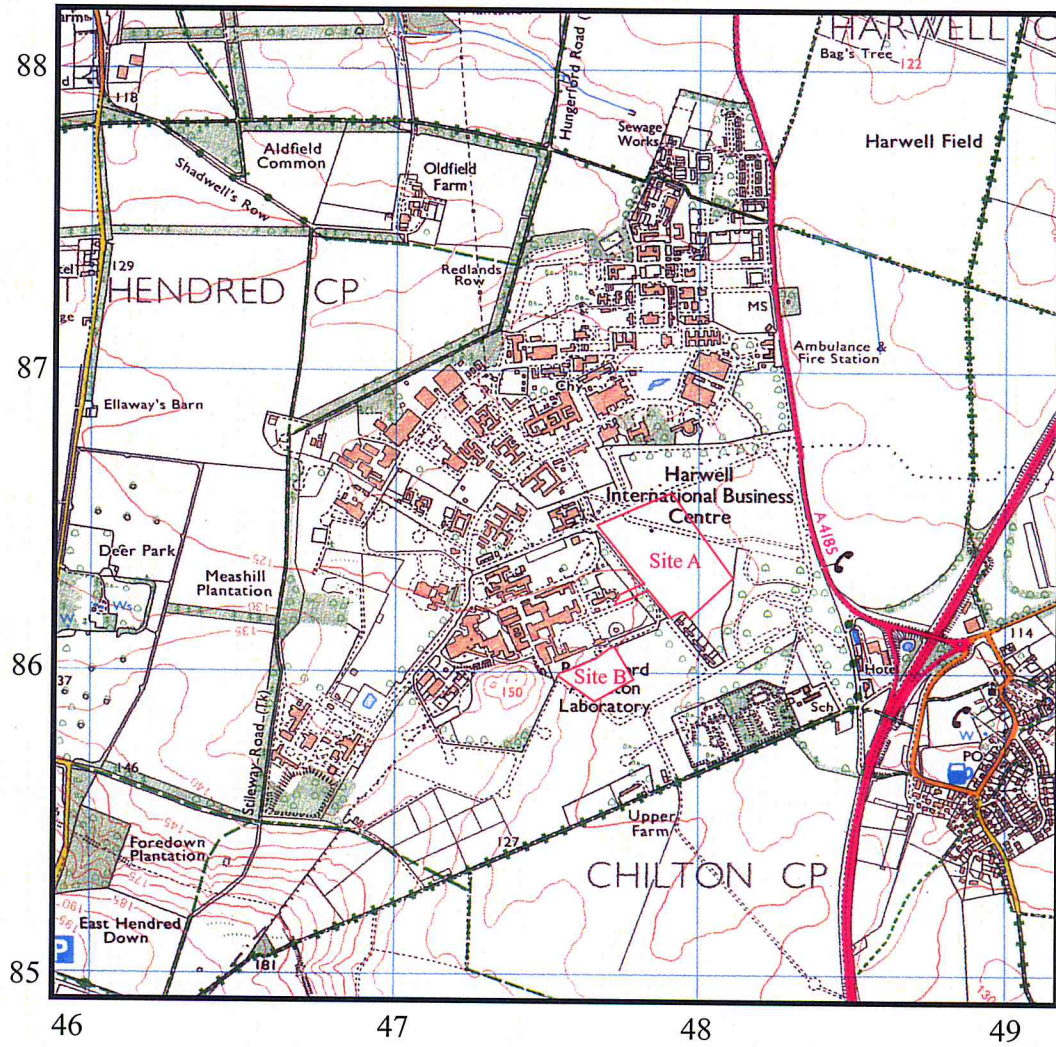


Figure 1. Site Location

Scale 1:25 000

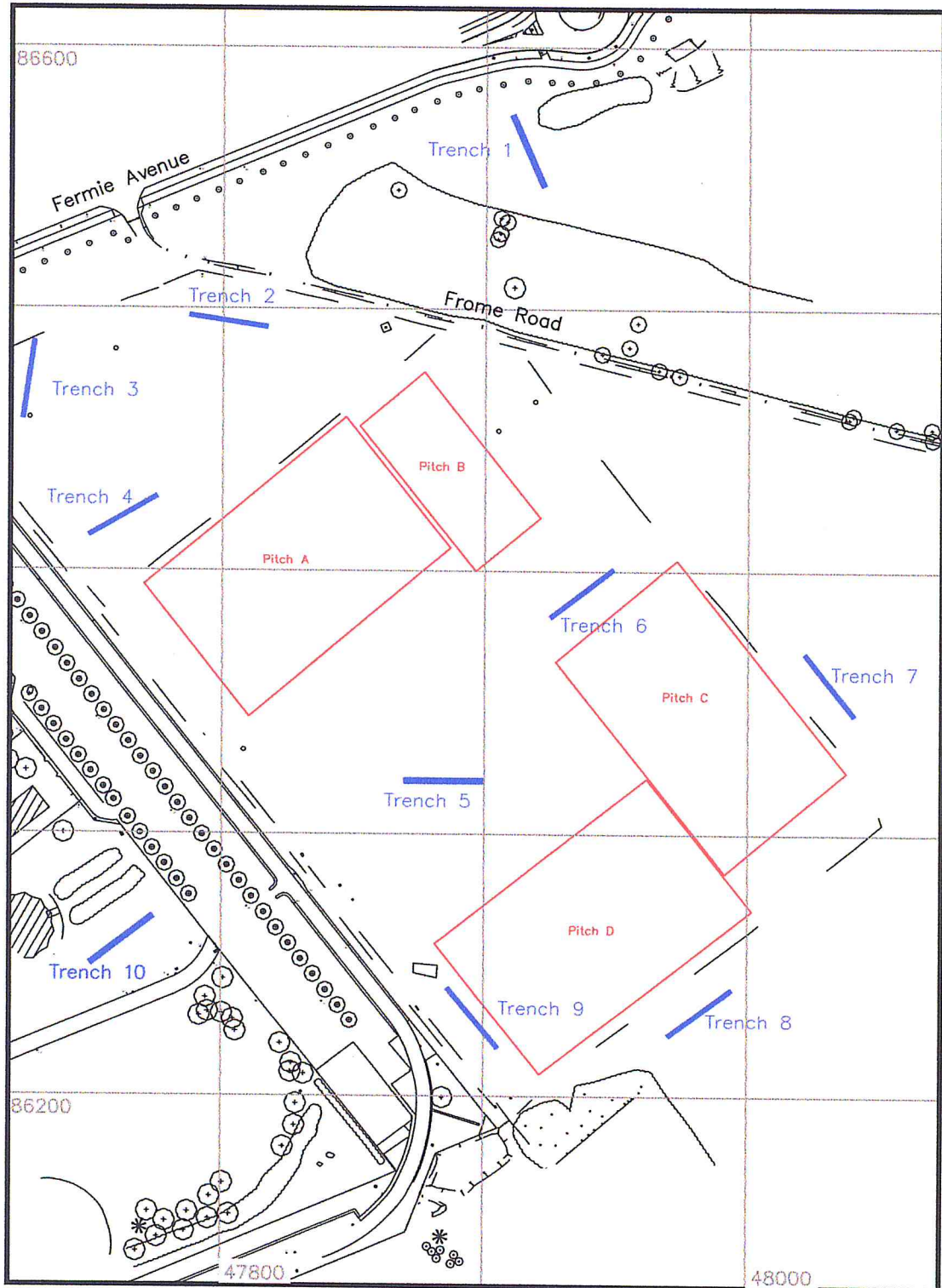


Figure 2. Location plan of Trenches 1-10 (Site A), with 100m national grid overlay (Taken from a plan supplied by Building Projects Group, Rutherford Appleton Laboratory)

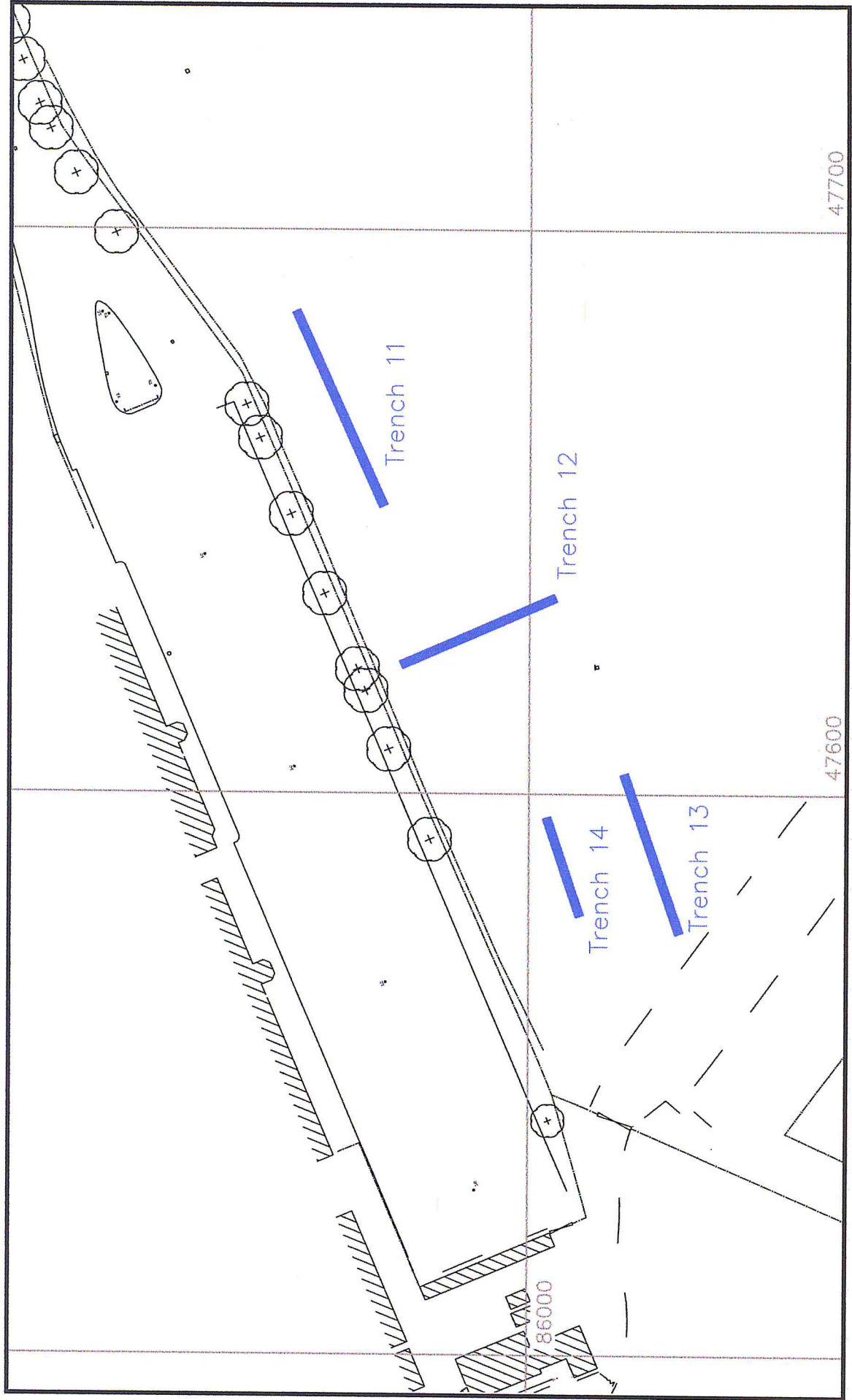


Figure 3. Location plan of Trenches 11-14 (Site B), with 100m grid overlay. (Taken from a plan supplied by Building Projects Group, Rutherford Appleton Laboratory)

4 RESULTS

Trenches revealing no archaeological features or evidence are not described except where changes within the underlying natural soil or the overlying stratigraphy are recorded. Trenches containing archaeological features are described individually according to their stratigraphical sequence, with the earliest deposits described first. A table of contexts is given in Appendix 1, which briefly describes each context.

Site A (Trenches 1-10) (Figure 2)

The earliest deposit encountered in the trenches in this area was an orange brown silty clay which contained c.10% small angular flint gravel, and occasional areas of chalk flecks, varying slightly between trenches (contexts 1/05, 2-10/02). This is interpreted as partly a ploughsoil and partly a disturbed natural by worm, animal, and root action (bioturbation). The latter did not occur where chalk flecks were present (the soil being more compact). This was typically overlain by a pale-mid grey brown clayey silt topsoil with turf on top, context (01) in all trenches. This contained very occasional small stone and 10-20% fine chalk pieces. Where not otherwise described the depth of this layer is given in the table of contexts (Appendix 1).

Trench 1 (Figure 4)

One sherd of pottery was recovered from the disturbed natural (1/05). Overlying the natural in the north end of Trench 1 were two sections, 3.5m wide and 400mm wide, of a flat concrete surface c. 150mm thick (1/03). This was interpreted as possibly part of the WWII runway. Abutting this to the south was a hard compacted layer of cinders c. 30-40mm thick and 8m wide (01/04). Overlying these deposits was a mixed clay loam dumped deposit which contained medium sized chalk pieces, and modern brick and rubbish (1/02).

Trench 2 (Figure 4)

A single sherd of pottery was recovered from the natural (2/02). Cut into the natural in the west end of Trench 2 was a linear feature orientated roughly east-west, 2.95m long but extending beyond the trench (2/04). The cut of the feature was 180mm wide and 120mm deep with a north side that was vertical and a south side sloping 60° from the horizontal into a slightly rounded base. This was filled by a deposit very similar to the natural containing only 1-2% gravel and no other finds (2/03). The feature is roughly parallel to the runway and may have been for cables.

Trench 3 (Figure 4)

The edge of the east-west orientated concrete runway, identified in Trench 1, was also picked up at the northern end of Trench 3 (3/03). Electrical cables were found in this trench that may be on the same alignment as the linear feature found in Trench 2. These features were sealed by 230-250mm of topsoil (2/01, 3/01).

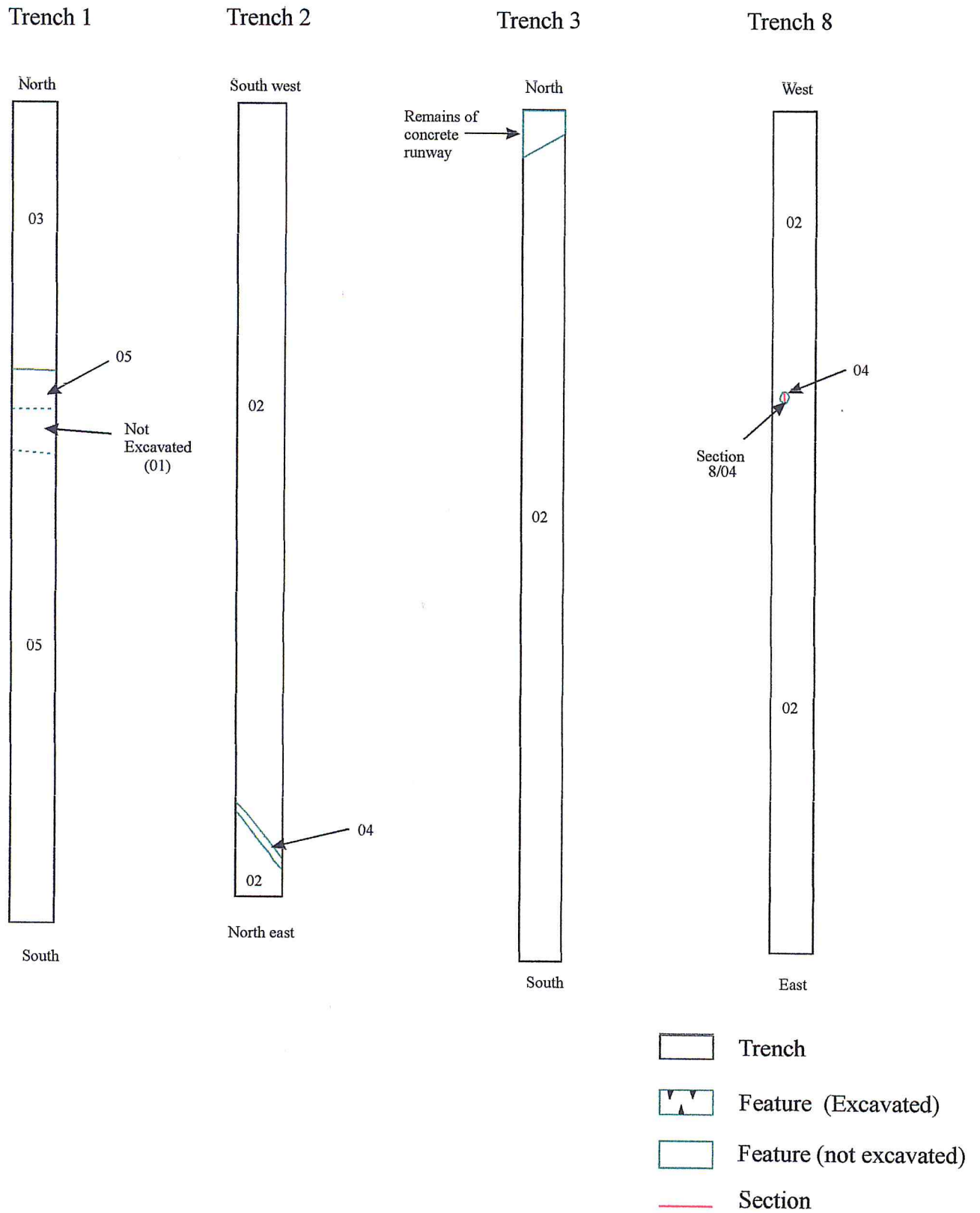


Figure 4. Plan of Trenches 1, 2, 3 and 8 with archaeological features. Scale 1:200

Trenches 4, 5, 6, and 7

Trenches 4, 5, 6, and 7 revealed no archaeological features, although sherds of pottery were recovered from context (02) in Trenches 5, 6, and 7 and a flint scraper was recovered from context (02) in Trench 6.

Trench 8 (Figure 4)

A single sherd of pottery was recovered from the natural in Trench 8. The Trench also contained a circular, bowl shaped cut (8/04), c. 300mm in diameter and 60mm deep, cut into the natural (Section 1, Figure 6). This was filled by an orange brown silt (8/03) which contained 5% small angular gravel, moderate charcoal flecking, and a single sherd of pottery, and was interpreted as a small pit or posthole. The pit was overlain by 250mm of topsoil (8/01).

Trench 9 (Figure 5)

Another possible pit or posthole was excavated in Trench 9 and three sherds of pottery were recovered from the disturbed natural. This was an oval cut in the natural measuring 380mm by 320mm and 70mm deep (9/04) (Section 2, Figure 6). The south and southwest sides of the cut were vertical whereas the north and northwest sides sloped 30° from the horizontal into a flat base. This was filled by an orange brown silt, similar to the natural, which contained frequent charcoal flecks and a single flint flake (9/03).

Trench 10

There were no archaeological features in this trench but three sherds of pottery were recovered from the disturbed natural (10/02).

Site B (Trenches 11-14, Figures 2 and 3)

The earliest deposit in Trenches 11-14 was the natural white chalk with pockets of firm light greyish brown silty clay containing frequent medium-large chalk pieces (11-14/03). This was overlain by a firm light greyish brown silty clay containing occasional chalk flecks, occasional fragments of tile and occasional sherds of pottery (11-14/02). This was interpreted as an old ploughsoil. These deposits were overlain by a firm dark brownish grey silty clay topsoil (11-14/01) that contained occasional flecks of chalk.

Trench 11 (Figure 5)

Several features cut into the natural (11/03) and sealed by the old ploughsoil (11/02) were identified in Trench 11, which was aligned east-west (See Figure 3). Two possible postholes on the north and south sides of the middle of the trench were excavated. The first consisted of an oval cut (11/24) measuring c. 330mm x 400mm and 140mm deep, the top of the cut being north-west of the base (Section 3, Figure 6). The sides of the cut were uneven and sloped gradually into a relatively flat base with

a diameter of 140mm. This was filled by a firm mid brownish grey silty clay, 40-140mm thick, which contained occasional small fragments of chalk (11/23).

The second posthole was sub-circular, measuring 330mm x 300mm and 110mm deep (11/26). The sides were uneven and sloped gradually into the uneven base (Section 4, Figure 6). This was also filled by a firm mid brownish grey silty clay (11/25) very similar to the fill of posthole (11/24).

Two possible ditches orientated northwest-southeast (11/22) and northeast-southwest (11/20) were identified at the west end of the trench which was extended by 7.6m to reveal the extent of the features. The ditch (11/20) appeared to be aligned northeast-southwest and was a maximum of 7.5m wide. This was filled by a firm dark greyish brown silty clay which contained frequent chalk flecks, occasional flecks of charcoal, occasional burnt clay, occasional fragments of animal bone and occasional fragments of pottery and tile. The western extent of this deposit appeared to be cut by a further ditch orientated northwest-southeast (11/22). The majority of the fill of this feature had been machined out but the cut (11/22) and fill (11/21) were visible in section. The cut of the ditch was 1.6m wide and at least 1.6m long, extending beyond the edge of the trench. The sides of the cut gradually sloped into a flat base forming a ditch c. 200-250mm deep. The ditch may have been recut. (11/22) was filled by a similar fill to that of the adjacent ditch, a firm mid-dark greyish brown silty clay which contained occasional chalk flecks and occasional pottery and tile (11/21). These two features were not excavated as their stratigraphic relationship was difficult to determine under the conditions of evaluation, however, the surfaces of the deposits were cleaned by hand to determine their extent and nature and to retrieve finds.

Possibly two phases of modern mole ploughing were also observed in the east end of the trench orientated roughly east-west but curving outside the trench to the south.

Trench 12

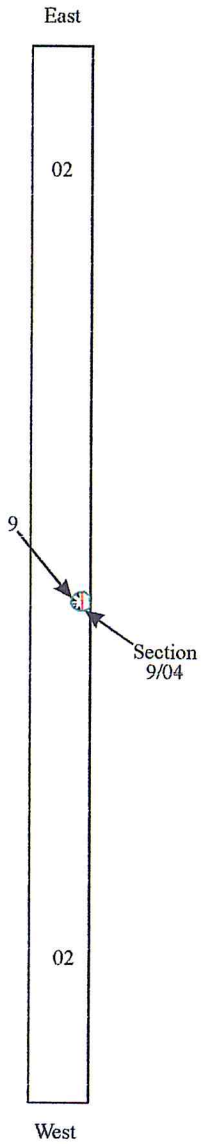
Trench 12 revealed no archaeological features although one sherd of pottery was recovered from the topsoil (12/01).

Trench 13 (Figure 5)

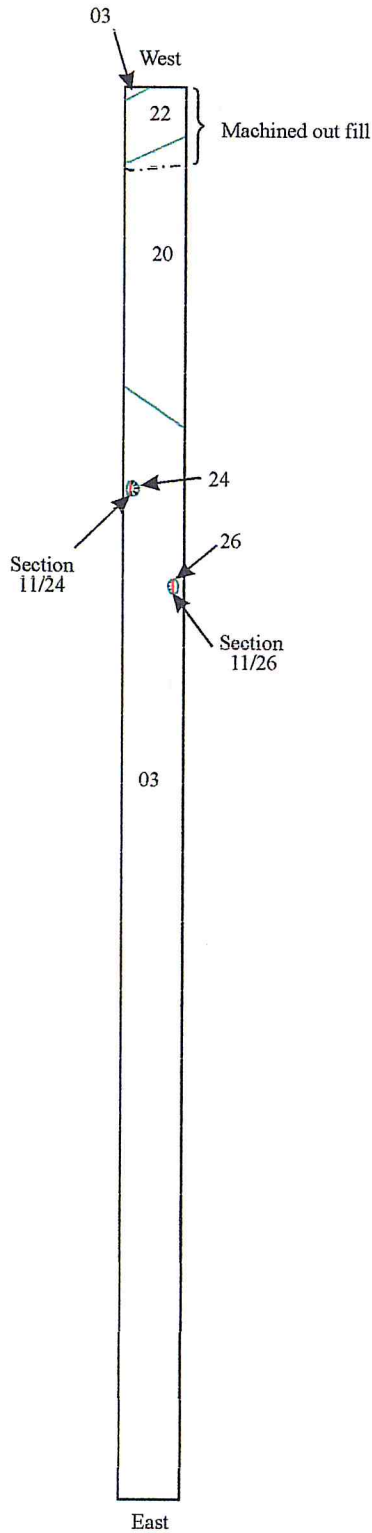
Several features were identified, but not all were excavated, in Trench 13 (Figure 3). A possible ditch feature orientated northeast-southwest, c. 3m from the west end of the trench, was sectioned to reveal a shallow cut with a flat base, 150mm deep and 700mm wide (13/10) (Section 7, Figure 6). This was filled by a compact light greyish brown silty clay with 5% fine gravel and occasional flecks of chalk (13/09).

The rounded end of a second linear feature, orientated north-south, 6.5m from the west end of the trench, was also sectioned. The feature was at least 1.2m long, extending beyond the south edge of the trench, and 600mm wide (13/08). The section through the feature revealed an unevenly sloping cut, 240mm deep, the east side was slightly stepped and the west side sloped unevenly into a linear slot-like base 110mm

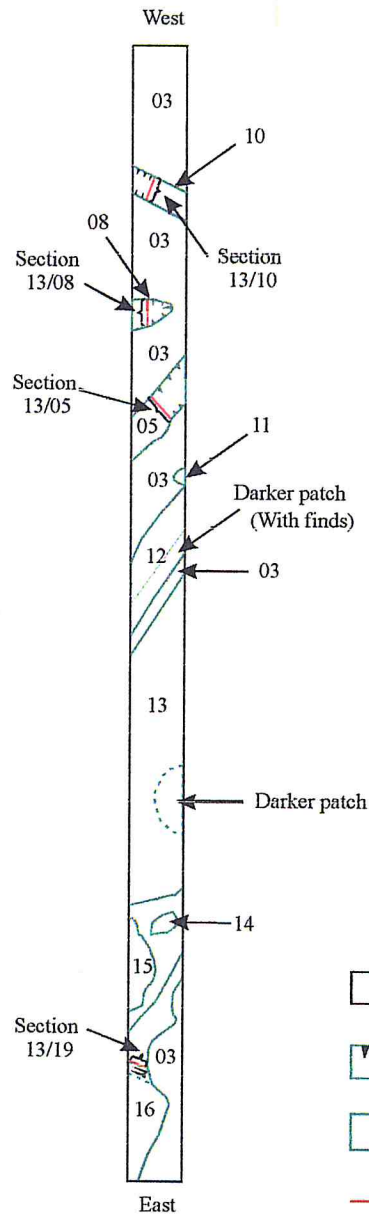
Trench 9



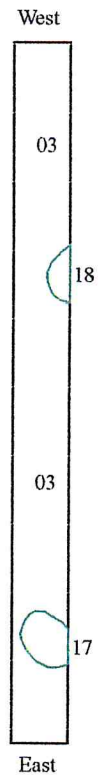
Trench 11



Trench 13



Trench 14



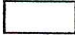



-  Trench
-  Feature (Excavated)
-  Feature (not excavated)
-  Section

Figure 5. Plan of Trenches 9, 11, 13, and 14 showing archaeological features. Scale 1:200

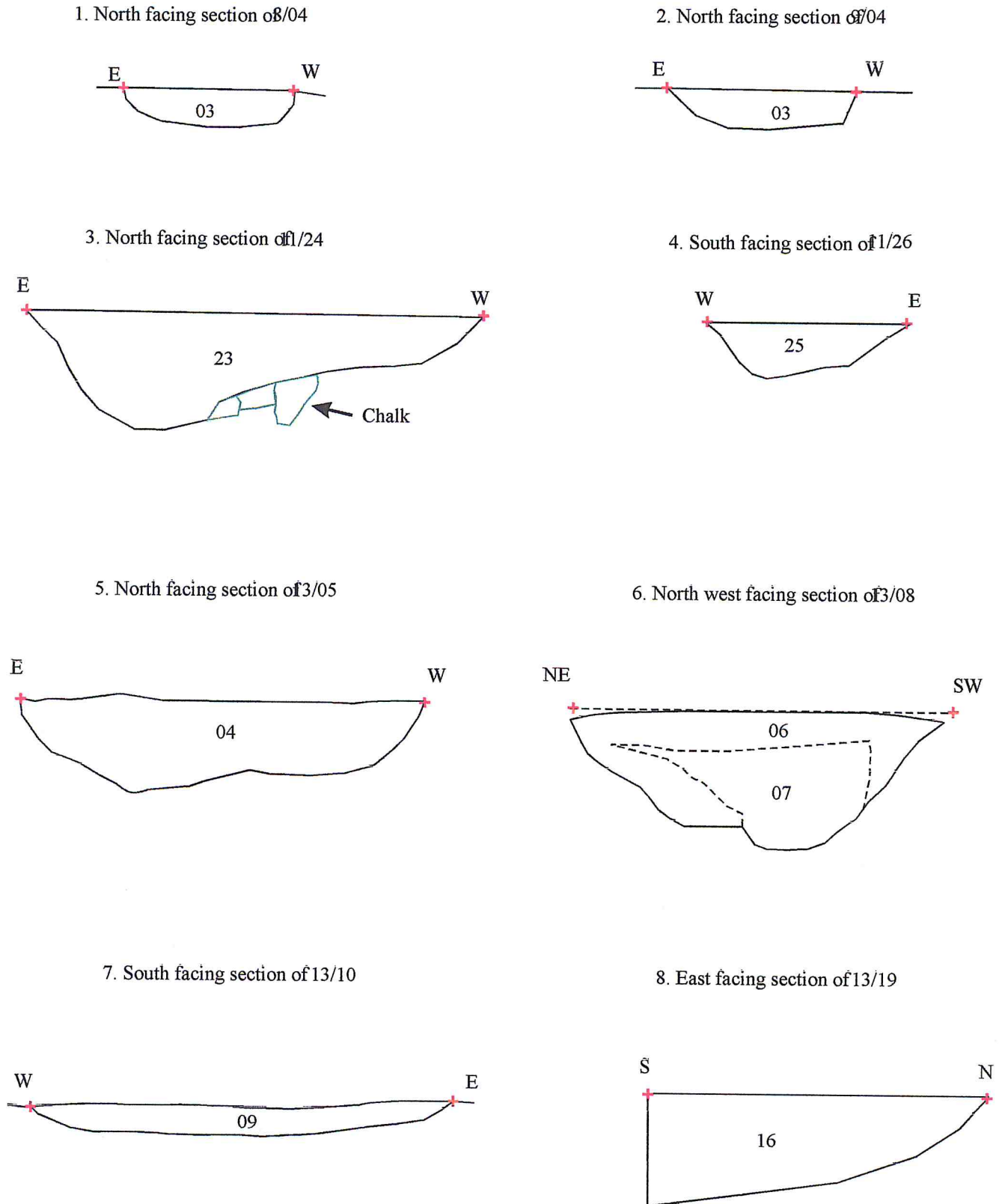


Figure 6. Excavated sections of archaeological features

Scale: 1:10

wide (Section 6, Figure 6). The base of the gully was filled with a dark brown, humus rich, silty clay c. 170mm thick (13/07). This was sealed by 50mm of firm mid greyish brown silty clay which contained frequent flecks of chalk, occasional flecks of burnt clay and occasional metal objects (13/06).

A further section was excavated across a ditch (13/05), at least 2.2m long, crossing the trench c. 9m from the west end and orientated northwest-southeast. This revealed a cut, 800mm wide and 355mm deep, with even sides gradually sloping at 80° from the horizontal into a flat base c. 400mm wide (Section 5, Figure 6). This was filled with a light greyish brown moderately compact silty clay containing frequent small gravel, occasional flecks of chalk, occasional pottery and occasional animal bone (13/04). The short length of ditch exposed appeared to be curving slightly.

A possible posthole feature was observed in the north of the trench c. 11m from the west end. This was approximately 400mm in diameter and was filled with a mid greyish brown silty clay containing occasional small gravel and flecks of chalk (13/11). No finds were recovered from this context.

To the east of the possible posthole was a further linear feature (13/12), 2.4m long and 1.3m wide, orientated northwest-southeast, probably another ditch. This was filled by a mid greyish brown silty clay containing occasional small gravel and flecks of chalk. Sherds of pottery were recovered from a slightly darker area along the eastern edge of the context.

An area of compact mid greyish brown silty clay (13/13), c. 8m wide, was observed east of the possible ditch. The western edge of the context, cutting the white chalk (13/03), was orientated northwest-southeast, parallel with the possible ditches. The eastern extent of the context was orientated roughly north-south. It was considered that this context might actually represent several features, the relationship between which could not be defined at this stage.

An oval shaped feature, measuring 740mm north-south and 300mm east-west, was identified c. 6.5m from the east end of trench. This was filled by a mid greyish brown silty clay which contained occasional small gravel and small-medium pieces of chalk (13/14).

A roughly semi-circular feature, measuring 3m in length and 1m wide, continuing beyond the southern edge of the trench, was identified c. 4.5m from the east end of the trench. This was filled by a dark greyish brown silty clay containing moderate amounts of small gravel and occasional flecks of chalk (13/15). This context was considered to be the fill of a series of intercutting pits and was not excavated.

The east end of the trench contained an irregular shaped context c. 5m in length. A section excavated through the feature revealed a shallow cut, 200mm deep, with even sides sloping into a relatively flat base that continued outside the south edge of the trench (13/19) (Section 8, Figure 6). This was filled by a moderately compact, dark greyish brown silty clay which contained occasional small gravel and occasional

flecks of chalk (13/16). This may be a further ditch, orientated east-west, although the edges of the feature were not well defined.

Trench 14 (Figure 5)

Trench 14, orientated east-west, contained two possible pits cut into the natural chalk 14/03) (Figure 3). Neither feature was excavated. The first feature (14/17) was located 2m from the east end of the trench and consisted of a sub-circular area, 1.6m x 1.5m, of moderately compact light greyish brown silty clay which contained 1% small gravel, and occasional flecks of chalk. A second pit, at least 1.3m wide, was identified c.5.5m from the west end of the trench, extending outside the north of the trench (14/18). This was filled by a moderately compact greyish brown silty clay which contained 2% small gravel, occasional flecks of chalk and occasional small-medium sub-angular stone.

5 FINDS

Pottery by Edward Biddulph

The pottery has been recorded using the standard Oxford Archaeology system for Iron Age and Roman sites in Oxfordshire. Where possible, forms have been referenced to Young's Oxfordshire series (1977).

A total of 63 sherds, weighing 434 g, were recovered from the site. Condition was generally poor and most sherds were very small and abraded. Consequently, identification was difficult. Few forms could be recognised, while the majority of sherds could be sorted only into generic fabric groups. Contexts were generally assigned broad dates. A list of identified fabrics is as follows:

- F4*. Medium/coarse flint-tempered fabric, handmade
- S40*. East Gaulish samian ware
- F51*. Oxfordshire red colour-coated ware
- F52*. Nene Valley colour-coated ware
- M41*. Oxfordshire red colour-coated ware mortaria
- W10*. General white wares
- W11*. Oxfordshire parchment ware
- E80*. 'Belgic' grog-tempered ware
- O10*. General fine oxidised fabrics
- O20*. General sandy oxidised fabrics
- O37*. Fine, sandy oxidised ware with iron and grog inclusions
- O38*. Coarser variant of O37
- R*. Unspecified reduced fabric
- R20*. Sandy grey wares
- R30*. Medium/fine sandy grey ware
- R37*. Fine sandy grey ware with occasional iron, grog and organic inclusions
- R50*. Dark-surfaced sand-tempered fabric
- B11*. Black-burnished ware category 1

Context	Fabric	Sherds	Wt (g)	Comments	Context date
1/05	R30	1	2		Roman
2/02	R30	1	3		Roman
5/02	R30	1	18	Narrow necked jar (Young type R15/17)	?3rd century+
	O10	1	2	Abraded sherd; id doubtful	
6/02	E80	4	48	Bowl rim	Mid-late 1st century AD
	R50	2	20		
7/02	O10	2	7		?2nd century+
8/02	E80	3	7	Tiny scraps	Mid-late 1st century AD
	R20	1	10		
8/03	R20	1	6		Roman
9/02	R20	2	20	Bead-and-flanged dish (Young type R47)	Late 3rd century+
	F4	1	9	Residual flint-tempered pottery (BA/EIA)	
10/02	E80	3	2		LIA
11/20	F51	1	3	Bowl rim	Mid 3rd century+
11/21	O20	1	9	Beaker with rouletting	Mid 3rd century+
	R37	1	5		
	W11	1	3		
	R50	2	5		
	R	2	4	Unidentifiable bodysherds	
12/01	R30	1	9		Mid 2nd century+
13/02	B11	1	2		Mid 2nd century+
13/04	E80	2	17		Mid-late 1st century
	R50	2	4		
	W10	1	5		
13/12	O38	2	46	Storage jar bodysherds	Late 1st-early 2nd century
	E80	1	6		
	R50	1	14		
13/13	B11	5	46	Everted rimmed cooking jar	4th century
	F51	2	9	Bowl	
	O38	2	21		
	R30	4	15		
	?F52	1	5		
	F50	1	12		
	O37	1	7		
	O20	3	7	Flagon rim	
	M41	1	5	Bodysherd	
	S40	1	21	Burnt base sherd - ?East Gaulish f31R	
TOTAL		63	434		

Table 1. Pottery occurrence by number and weight (in g) of sherds per context by fabric type.

Predictably, the grey wares form the largest component of this assemblage. These were presumably of local origin, though fabric F37 probably arrived from the Cassington area (Booth 1997, 133). In terms of pottery supply, this fabric seems to have been regionally important. It may have contributed around a third of pottery from nearby Wantage (Timby 1997, table 3, fabric R1). Other pottery from this source includes the oxidised O37 and O38 fabrics. The remaining oxidised wares could not be assigned specific sources, although probably derived from Oxfordshire kilns. The sherd of fabric O10 in 5/02 might well be a very abraded fragment of Oxfordshire colour-coated ware. The identification of a Nene Valley colour-coated sherd in context 13/13 is uncertain; such pottery forms only a minor component of assemblages within the region. A source for this sherd in Oxfordshire, or perhaps further west, might prove more likely. More exotic is a sherd of East Gaulish samian ware. Continental imports are otherwise absent. Although few forms were identified,

those present suggest a wide range of vessel type available on the site. Jars, bowls, beakers, dishes and a flagon are present in this small assemblage.

The pottery spans the entire Roman period. Earliest Roman material is represented by grog-tempered ware in association with sand-tempered fabrics, for instance in contexts 8/02 and 13/04. The middle and late Roman periods, however - and particularly from the late 2nd century onwards - are more strongly represented. Without good diagnostic pieces, a terminal date is difficult to assess, but the assemblage almost includes 4th century pottery. The flint-tempered pottery in context 9/02 dates to the Bronze Age or early Iron Age and must be residual.

While ditch fills generally yielded more sherds than posthole fills and old ploughsoil/natural deposits (though it should be noted that context 13/13 comprised fills from several ditches), there was no significant difference between pottery from feature types in terms of condition. This varied between features, but was poor overall, as reflected in the low average sherd weight of 7 g. This is consistent with an assemblage that is likely to have suffered from several episodes of disturbance and redeposition prior to final burial.

The flint by Hugo Lamdin-Whymark

A total of five flints were recovered from the evaluation, the assemblage is shown in Table 1. The condition of the flint is poor, one of the flints is rolled, and the other pieces exhibit considerable post-depositional edge damage. The condition of the flint suggests all pieces are residual. The surface condition is also variable, two flints are uncorticated, two are corticated a light bluish-white colour and the third exhibits a heavy white cortication.

The assemblage comprises two flakes, two blades and an end and side scraper. The flakes are both undiagnostic, the blades, however, are more informative. Both blades exhibit the scars of blade removals on the dorsal surface, indicating both flints were removed from opposed platform blade cores. The complete blade exhibits a punctiform butt and platform edge abrasion. The end and side scraper is manufactured on a flake and exhibits crude abrupt retouch. The flakes and the scraper are not diagnostic and, therefore cannot assist in dating. The technological traits exhibited by the blades suggest these pieces belong to a blade based industry of Mesolithic or earlier Neolithic date; on reflection a date in the Mesolithic would seem appropriate. The other three flints may be contemporary with the blades, but equally could belong in any assemblage from the Mesolithic to Bronze Age.

<i>Context</i>	<i>Description</i>
9/03	1 flake, broken
6/02	1 end and side scraper.
8/02	1 flake, broken and 2 blades, one broken.

Table 2. The flint assemblage

The flint recovered is not *in situ*, but may not have moved any great distance from its original location. The flints indicate a human presence on the site from at least the Mesolithic, however, the limited number of flints recovered suggest a background presence rather than a habitation site.

Other finds

Several pieces of tile, brick, fired clay, iron objects, slag and animal bone were recovered, see Appendix 1 for provenance.

6 DISCUSSION

The archaeology within Site A (Trenches 1-10) falls into three periods, those features associated with the use of the site as a WWII airfield, Roman, and Prehistoric. Trenches 1, 2, and 3 revealed part of the WWII runway and associated features parallel to it.

Roman pottery was recovered from the top of the disturbed natural deposit, (05) in Trench 1, (02) in Trenches 2, 5, 7, 8, and 9, with a possible posthole or small pit of Roman date identified in Trench 8 (8/04). This scatter of pottery probably indicates manuring of agricultural land in the Roman period. The posthole/pit may be part of low level activity in the area and posthole/pit in Trench 9 may also be part of this.

Flint artefacts dating from the Mesolithic period were recovered from the disturbed natural in Trench 8 and less diagnostic flint artefacts from Trench 6 and the fill of a posthole/small pit in Trench 9. These can only be said to date from any assemblage ranging from the Mesolithic to the Bronze Age. However, in combination with residual pottery dating from the Bronze Age / Early Iron Age recovered from the disturbed natural it is likely that the flints from this trench are Bronze Age in date. Sherds of Late Iron Age pottery were recovered from Trench 10 (10/02). These finds indicate a human presence on the site from at least the Mesolithic. The objects are probably residual, the result of a background presence of objects of this date rather than indicating habitation sites of this date.

The archaeology within Site B (Trenches 11-14) consisted of a number of features of Roman date. Trench 11 contained two possible ditches of Roman date (mid 3rd century +) which appear to converge, south of the trench, forming an enclosed area. Two postholes, c. 3m apart, were located to the east of the ditches but were not dated. Trench 13 also contained ditches of Roman date. The apparently curving ditch of the mid-late 1st century (13/05) may be an enclosure ditch with a building inside possibly represented by the terminal of a ?drip gully (13/08). A further three possible ditches of Roman date, to the east of these, run parallel with each other. A series of pits and an irregular linear feature, possibly another ditch, were also identified to the east of these features but are undated. Trench 14, c. 15m south of Trench 13, contained two pits that are undated.

Many of the features in Trench 13 were not distinguishable from one another above the level of the natural chalk, where cut features were clearly seen. The features identified are therefore slightly truncated from above by about 100mm.

7 CONCLUSIONS

Roman activity on the site appears to be mainly concentrated within Site B, in Trenches 11-14, with features indicative of a small settlement located in this area. It is possible that activity also extended eastwards in the south of Site A, with a Roman posthole discovered in Trench 8. Alternatively the postholes in Trenches 8 and 9 may be a separate activity area. A broad range of pottery was recovered from the disturbed natural in most of the trenches in Site A, indicating general Roman activity in this area, possibly for agriculture. The pottery recovered from the various features suggests that this occupation may have spanned the entire Roman period, from the mid-late 1st century to the 4th century with the late 2nd century onwards most strongly represented and perhaps the main period of occupation.

8 BIBLIOGRAPHY

Booth, P M, 1997 *Asthall, Oxfordshire: Excavations in a Roman 'small town'*, Thames Valley Landscapes 9, Oxford.

County Archaeological Services. 2002. Rutherford Appleton Laboratory-Synchrotron development. *Design Brief for Archaeological Field Evaluation*.

Institute of Field Archaeologists. 1994. *Standard and Guidance for Archaeological Field Evaluations*.

Timby, J, 1996 The pottery, in The Roman and early Anglo-Saxon settlement at Wantage, Oxfordshire: Excavations at Mill Street, 1993-4 (N Holbrook and A Thomas), *Oxoniensia* 61, 1997, 131-147.

Young, C J, 1977 *Oxfordshire Roman pottery*, BAR Brit Ser 43, Oxford.

9 OTHER

The site archive will be deposited with Oxfordshire Museums, accession number OXCMS 2002.48.

APPENDICES**APPENDIX 1 ARCHAEOLOGICAL CONTEXT INVENTORY**

Context	Type	Description	Depth (m)	Width (m)	Length (m)	Findings	Date
Trench 1				1.50	29.00		
01/01	Layer	Topsoil	0.25				
01/02	Layer	Deposit					
01/03	Layer	Surface	0.15				
01/04	Layer	Deposit	0.03-0.04				
01/05	Layer	Natural				Pottery	Roman
Trench 2				1.50	28.00		
02/01	Layer	Topsoil	0.25				
02/02	Layer	Natural				Pottery	Roman
02/03	Fill	Fill of 02/04					
02/04	Cut	Linear	0.12	0.18	2.95		
Trench 3				1.50	30.00		
03/01	Layer	Topsoil	0.23				
03/02	Layer	Natural					
03/03	Layer	Surface	0.15	1.60	1.60		
Trench 4				1.50	30.2		
04/01	Layer	Topsoil	0.24				
04/02	Layer	Natural					
Trench 5			0.30-0.32	1.50	30.00		
05/01	Layer	Topsoil	0.17-0.20				
05/02	Layer	Natural				Pottery	?3 rd century+
Trench 6				1.50	29.60		
06/01	Layer	Topsoil	0.25				
06/02	Layer	Natural				Pottery Flint	Mid-late 1 st century, Mesolithic-Bronze age
Trench 7				1.60	30.00		
07/01	Layer	Topsoil	0.26				
07/02	Layer	Natural				Pottery	?2 nd century
Trench 8			0.26-0.28	1.50	29.60		
08/01	Layer	Topsoil	0.25				
08/02	Layer	Natural				Pottery Flint	Mid-late 1 st century, Mesolithic
08/03	Fill	Fill of 08/04		0.30	0.30	Pottery	Roman
08/04	Cut	Posthole/pit	0.60	0.30	0.30		Roman

Context	Type	Description	Depth (m)	Width (m)	Length (m)	Finds	Date
Trench 9				1.50	29.00		
09/01	Layer	Topsoil	0.25				
09/02	Layer	Natural				Pottery	Late 3 rd century
09/03	Fill	Fill of 09/04	0.70			Flint	Mesolithic-Bronze Age
09/04	Cut	Posthole/pit	0.70	0.38	0.32		
Trench 10				1.50	30.00		
10/01	Layer	Topsoil	0.24-0.28				
10/02	Layer	Natural				Pottery	Late Iron Age
Trench 11			0.5-0.55	1.50	37.60		
11/01	Layer	Topsoil	0.20				
11/02	Layer	Old ploughsoil	0.10				
11/03	Layer	Natural					
11/20	Fill	Fill of ?ditch	0.13-0.25			Animal bone, fired clay, Fe object, pottery	Mid 3 rd century +
11/21	Fill	Fill of 11/22	0.20	1.60	1.60	Pottery, animal bone, fired clay	Mid 3 rd century +
11/22	Cut	Ditch	0.2-0.25	1.60	1.60		
11/23	Fill	Fill of 11/24	0.14	0.33	0.40		
11/24	Cut	Posthole	0.14	0.33	0.40		
11/25	Fill	Fill of 11/26	0.11	0.30-0.33	0.30-0.33		
11/26	Cut	Posthole	0.11	0.30-0.33	0.30-0.33		
Trench 12			0.20-0.25	1.50	30.10		
12/01	Layer	Topsoil	0.20-0.22			Pottery	Mid 2 nd century +
12/03	Layer	Natural					
Trench 13			0.50	1.50	30.00		
13/01	Layer	Topsoil	0.24				
13/02	Layer	Old ploughsoil	0.20			CBM pottery	Mid 2 nd century +
13/03	Layer	Natural					
13/04	Fill	Fill of 13/05	0.35	0.80	2.16	Animal bone, fired clay pottery	Mid-Late 1 st century
13/05	Cut	Ditch	0.35	0.80	2.16		
13/06	Fill	Fill of 13/08	0.50	0.60	>1.20		
13/07	Fill	Fill of 13/08	0.17	0.11-0.25	>1.20		
13/08	Cut	Ditch	0.24	0.60	>1.20		
13/09	Fill	Fill of 13/10	0.15	0.70	1.62		

